

SERVICE PARTS LIST FOR MITSUBISHI ELECTRIC PACKAGED AIR-CONDITIONERS

Series : PEFY-P•VMHS-E

REVISED

Feb. 2023

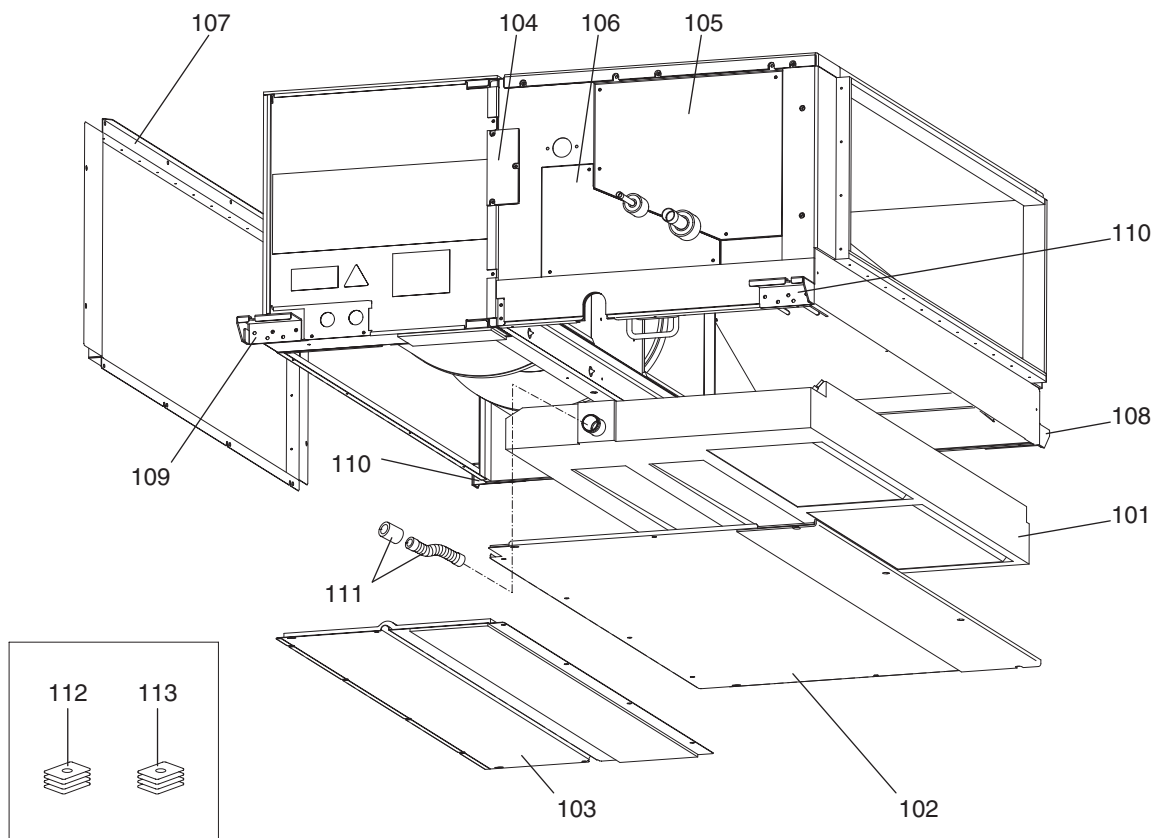
BWE1104F

INDEX
PEFY-P200VMHS-E PEFY-P250VMHS-E

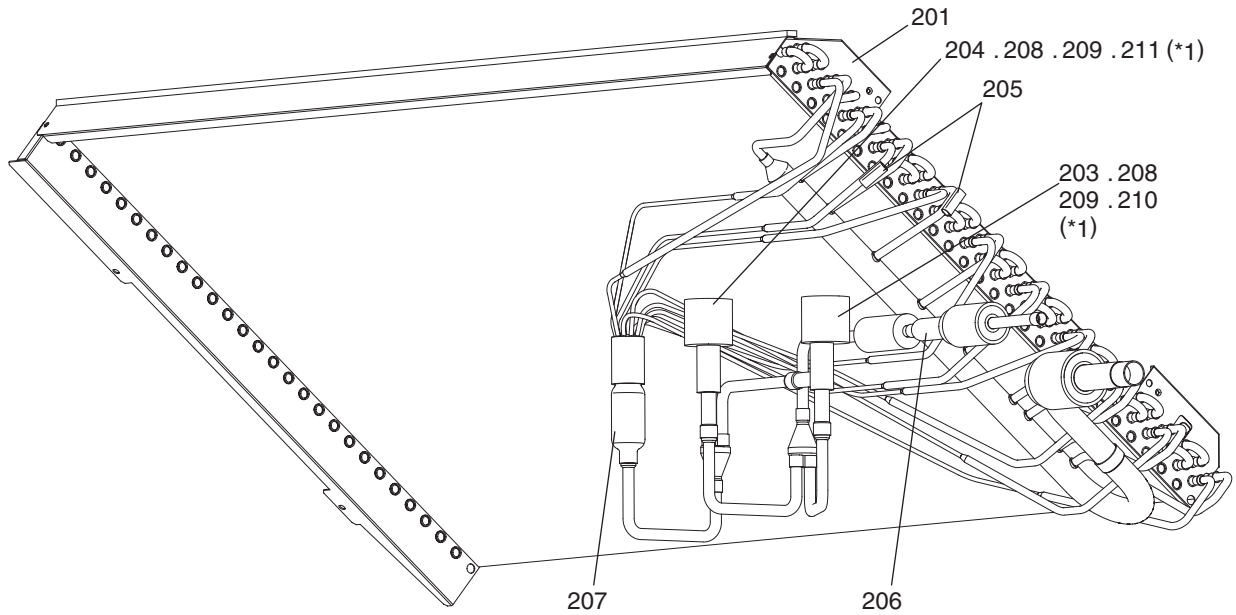
Part information update day : **2023/02/14**

Please change the old catalog (issued Sept. 2019, No.BWE1104E) to this new catalog.
Content of revision : Some of parts are changed.

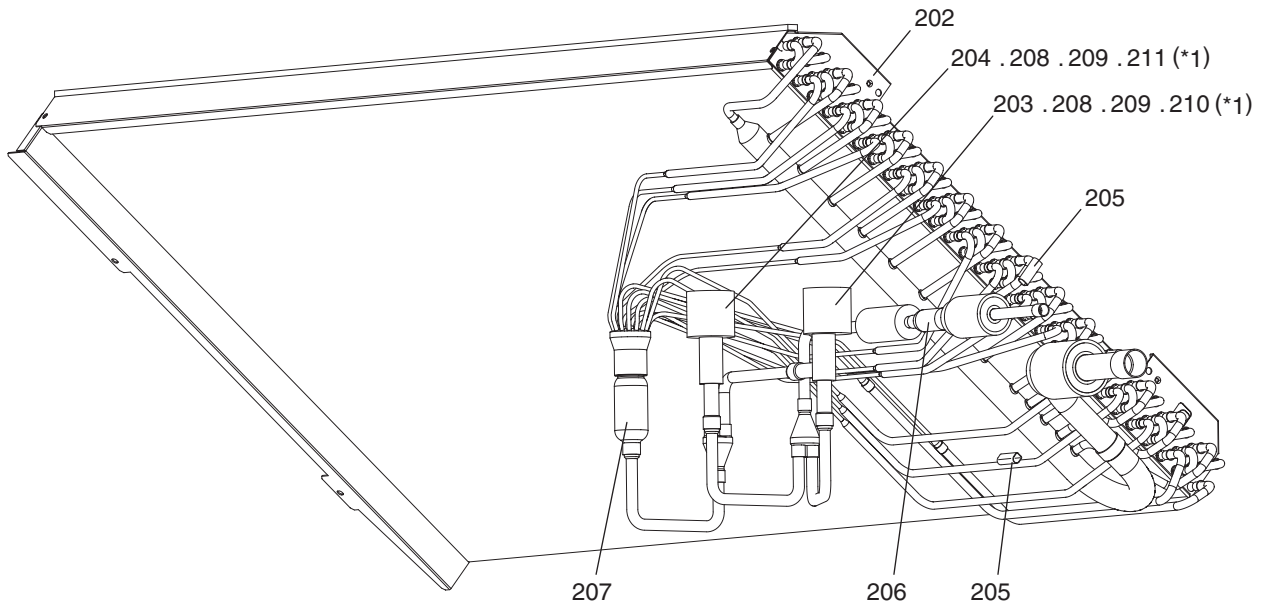




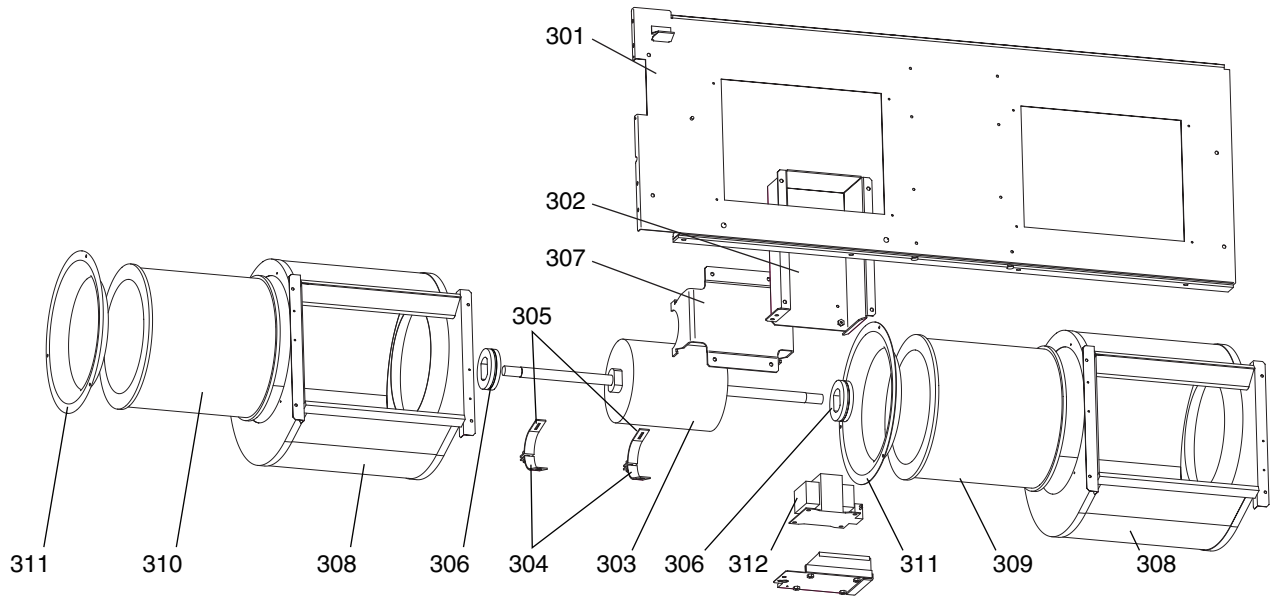
PEFY-P200VMHS-E

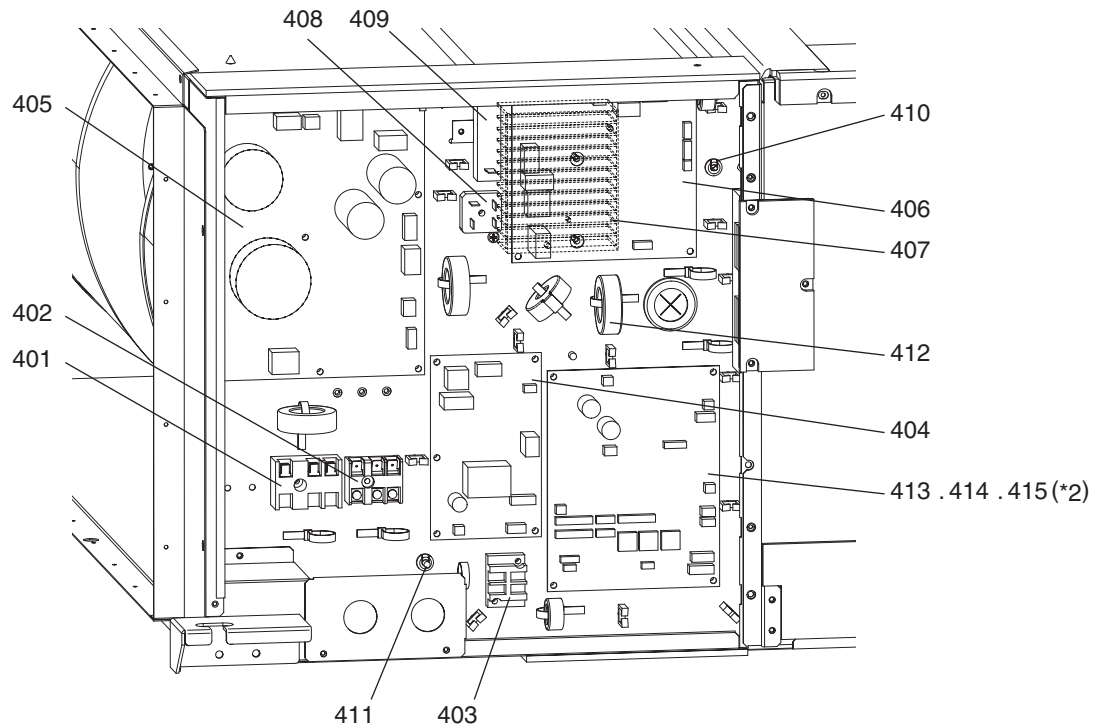


PEFY-P250VMHS-E



*1 Products manufactured to Sep. 2019 use EFM type LEV,
and products after Oct. 2019 use PAM type LEV.
In case of EFM type LEV is used, please change to PAM type LEV.
In that case, replace it with a set of 203, 204, 208, and 209.
Please order 210 and 211 when replacing only the motor part with EFM type.

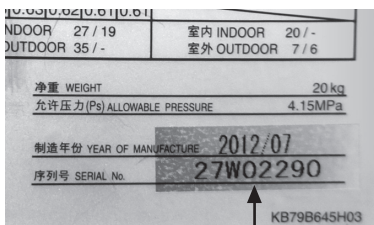




*2 For the products whose serial number is 5XW***** or later, be sure to use No.415.
For the products whose serial number is from 2ZW***** to 59W*****, be sure to use No.414 or No.415.
For the products whose serial number is 2YW***** or earlier, No.413, No.414 or No.415 can be used.
If the production number of the indoor unit is not available, procure parts No.415.
No.413 or No.414 will be supplied as long as the stock is available,
and only No.415 will be supplied after the existing stock of No.413 or No.414 is depleted.

	~2YW*****	2ZW*****~59W*****	5XW*****~
No.413	USE	NOT USE	NOT USE
No.414	USE	USE	NOT USE
No.415	USE	USE	USE

Serial No. of Air Conditioning & Refrigeration Systems Works.



Serial No.

2 7 W 0 2 2 9 0

↑ ↑ ↑ ↑
Serial number

Air Conditioning & Refrigeration Systems Works
(Wakayama) identification.
W stands for W of WAKAYAMA.

↑ ↑ ↑ ↑
Production month

Production **season** of Air Conditioning & Refrigeration
Systems Works **April to March**
In this case, July / 2012

Production month / season

- 2 4 April / 2012
- 2 5 May / 2012
- 2 6 June / 2012
- 2 7 July / 2012
- 2 8 August / 2012
- 2 9 September / 2012
- 2 X October / 2012
- 2 Y November / 2012
- 2 Z December / 2012
- 2 1 January / 2013
- 2 2 February / 2013
- 2 3 March / 2013
- 3 4 April / 2013
- 3 5 May / 2013

No.	Part No.	Part Name	Spec.	PEFY-P200VMHS-E	PEFY-P250VMHS-E				Dwg. No.	Notes for the models	Revision info.
401	R63 979 247	Terminal block		1	1				P436238X01		
402	R63 A64 246	Terminal block		1	1				P436129X01		
403	R63 4G8 246	Terminal block		1	1				W872787G01		
404	R63 138 280	Board assy	POW	1	1				KE80C403G02	<P.B.>	
405	R61 164 280	Board assy	NF	1	1				KE80C403G03	<NF.B.>	
406	R61 744 280	Board assy	INV	1	1				W652171G24	<INV.B.>	Chg.
407	R61 009 479	Heat sink		1	1				KR11C636H01		Chg.
408	R61 002 320	Diode bridge		1	1				S414003H64		
409	R63 670 234	Resistor		1	1				P411113X01		
410	R63 257 200	Thermistor		1	1				P414098X01	<THHS>heatsink	
411	R61 169 200	Thermistor		1	1				RG71J628H03	<TH21>inlet	
412	R61 011 155	Lead wire assy		1	1				KB78T863G02		
413	R61 637 280	Board assy	Cont	1	1				KE80C349G13	<I.B.> *2	
414	R61 634 280	Board assy	Cont	1	1				KE80C349G16	<I.B.> *2	
415	R61 638 280	Board assy	Cont	1	1				KE80C349G25	<I.B.> *2	

mitsubishi
electric
corporation

BWE1104F (20230228)