

**Revision F:**

• Parts numbers of the outdoor control P.C. board, the outdoor power P.C. board, the reactor and the compressor for MXZ-3HA50VF2 - **E1**, **ET1** have been changed.

OBB828 REVISED EDITION-E is void.

**OUTDOOR UNIT**

**PARTS CATALOG**



**No. OBB828  
REVISED EDITION-F**

**Models**

**MXZ-2HA40VF** - **E1**, **ET1**, **ER1**, **E2**

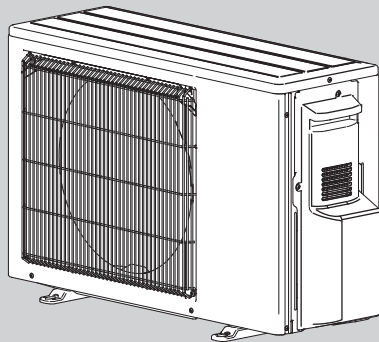
**MXZ-2HA40VF2** - **E1**, **ET1**

**MXZ-2HA50VF** - **E1**, **ET1**, **ER1**, **E2**

**MXZ-2HA50VF2** - **E1**, **ET1**

**MXZ-3HA50VF** - **E1**, **ET1**, **ER1**, **E2**, **ET2**, **ER2**, **E3**

**MXZ-3HA50VF2** - **E1**, **ET1**



MXZ-2HA40VF  
MXZ-2HA40VF2  
MXZ-2HA50VF  
MXZ-2HA50VF2

**CONTENTS**

1. SERVICE PARTS LIST ..... 2
2. OPTIONAL PARTS ..... 22

**SERVICE MANUAL (OBH828)**

**Revision A:**

- Some descriptions have been modified.

**Revision B:**

- MXZ-2HA40/50VF-**E2** and MXZ-3HA50VF-**E2** have been added.

**Revision C:**

- MXZ-2HA40/50VF-**ER1** and MXZ-3HA50VF-**ER1** have been added.

**Revision D:**

- MXZ-3HA50VF - **ET2**, **ER2**, **E3** have been added.

**Revision E:**

- MXZ-2HA40VF2 - **E1**, **ET1**, MXZ-2HA50VF2 - **E1**, **ET1** and MXZ-3HA50VF2 - **E1**, **ET1** have been added.

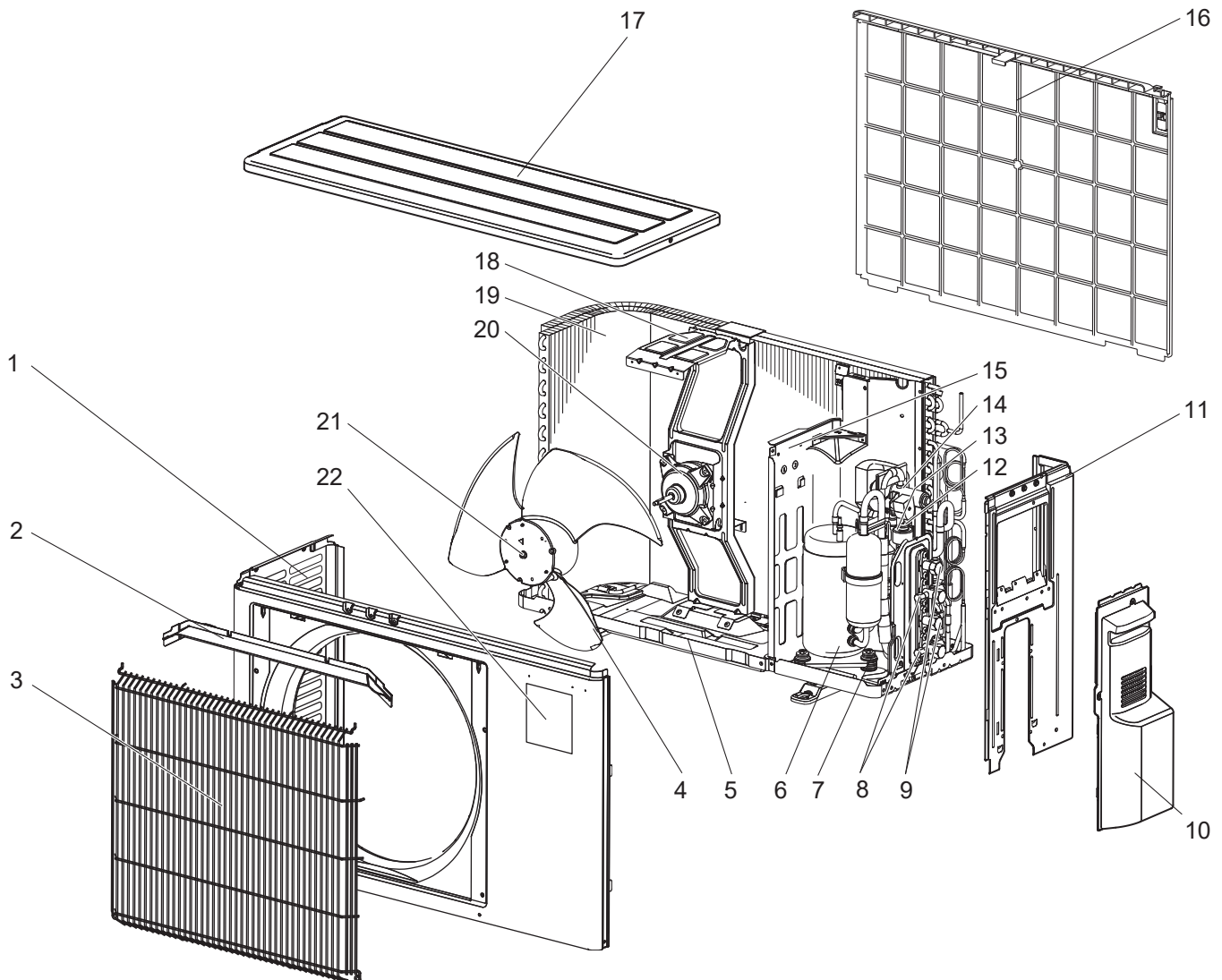
**Revision F:**

- Parts numbers of the outdoor control P.C. board, the outdoor power P.C. board, the reactor and the compressor for MXZ-3HA50VF2 - **E1**, **ET1** have been changed.

# 1 SERVICE PARTS LIST

## MXZ-2HA40VF MXZ-2HA50VF

### 1-1. OUTDOOR UNIT STRUCTURAL PARTS AND FUNCTIONAL PARTS

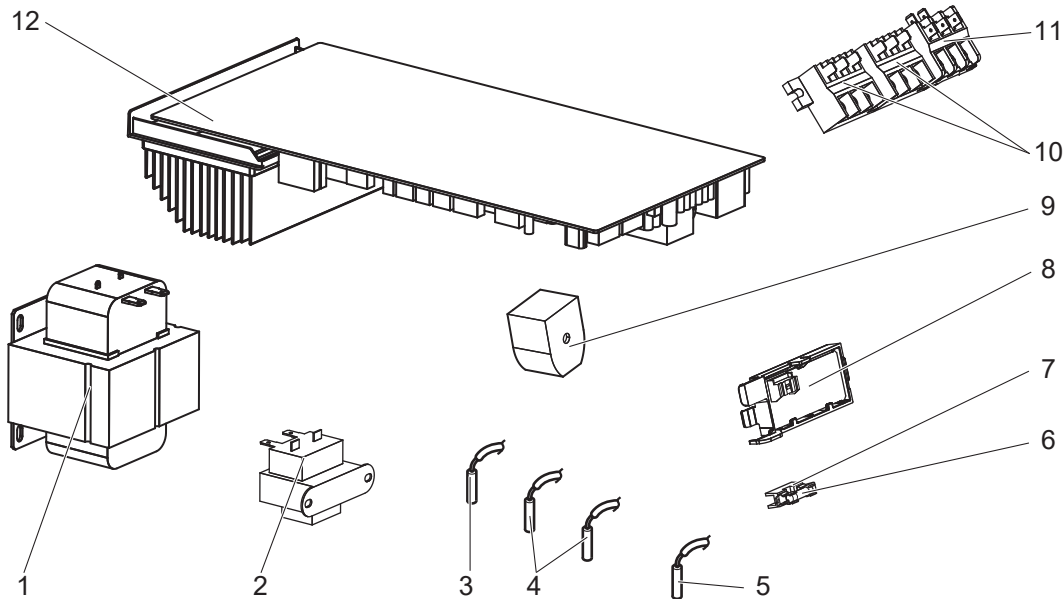


## 1-1. OUTDOOR UNIT STRUCTURAL PARTS AND FUNCTIONAL PARTS

1. The part quantity below indicates the required number of pieces per unit.
2. The circled No. indicates that the part is not shown in the figure.

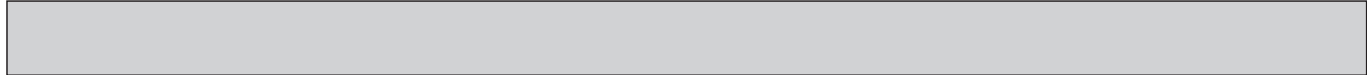
No.	Part No.	Part Name	MXZ-2HA40VF -	ET1	MXZ-2HA40VF -	ET1	MXZ-2HA40VF -	ER1	MXZ-2HA40VF -	E2	MXZ-2HA50VF -	E1	MXZ-2HA50VF -	ET1	MXZ-2HA50VF -	ER1	MXZ-2HA50VF -	E2	Symbol In Wiring Diagram	Remarks [Drawing No.]
			E1	ET1	ER1	E2	E1	ET1	ER1	E2										
1	E22 J63 232	CABINET	1	1	1	1	1	1	1	1	1	1	1	1	1	1	1	1		
2	E22 J63 531	ICE GUARD	1	1	1	1	1	1	1	1	1	1	1	1	1	1	1	1		
3	E22 J63 521	GRILLE	1	1	1	1	1	1	1	1	1	1	1	1	1	1	1	1		
4	E22 927 501	PROPELLER FAN	1	1	1	1	1	1	1	1	1	1	1	1	1	1	1	1		
5	E22 J63 290	BASE	1	1	1	1	1	1	1	1	1	1	1	1	1	1	1	1		
6	E22 R83 900	COMPRESSOR	1	1	1	1	1	1	1	1	1	1	1	1	1	1	1	1	MC	SVB130FBBMT
7	E22 C34 506	COMPRESSOR RUBBER SET	3	3	3	3	3	3	3	3	3	3	3	3	3	3	3	3		3 RUBBERS/SET
8	E22 T95 661	STOP VALVE (GAS) 3/8	2	2	2	2	2	2	2	2	2	2	2	2	2	2	2	2		Ø9.52
9	E22 T95 662	STOP VALVE (LIQUID) 1/4	2	2	2	2	2	2	2	2	2	2	2	2	2	2	2	2		Ø6.35
10	E22 J63 245	SERVICE PANEL	1	1	1	1	1	1	1	1	1	1	1	1	1	1	1	1		
11	E22 J63 233	BACK PANEL	1	1	1	1	1	1	1	1	1	1	1	1	1	1	1	1		
12	E27 F03 640	EXPANSION VALVE	1	1	1	1	1	1	1	1	1	1	1	1	1	1	1	1		ROOM B
13	E22 90C 493	EXPANSION VALVE COIL	1	1	1	1	1	1	1	1	1	1	1	1	1	1	1	1	LEV B	BLUE
14	E22 A47 961	4-WAY VALVE	1	1	1	1	1	1	1	1	1	1	1	1	1	1	1	1		
15	E22 G11 293	SEPARATOR	1	1	1	1	1	1	1	1	1	1	1	1	1	1	1	1		
16	E22 G06 523	CONDENSER NET	1	1	1	1	1	1	1	1	1	1	1	1	1	1	1	1		
17	E22 J63 297	TOP PANEL	1	1	1	1	1	1	1	1	1	1	1	1	1	1	1	1		Includes PL NOTICE, SERVICE NOTE
18	E22 R50 515	MOTOR SUPPORT	1	1	1	1	1	1	1	1	1	1	1	1	1	1	1	1		
19	E22 G06 630	OUTDOOR HEAT EXCHANGER	1	1	1	1	1	1	1	1	1	1	1	1	1	1	1	1		
20	E22 P03 301	OUTDOOR FAN MOTOR	1	1	1	1	1	1	1	1	1	1	1	1	1	1	1	1	MF	
21	E27 L05 508	PROPELLER FAN NUT	1	1	1	1	1	1	1	1	1	1	1	1	1	1	1	1		
22	—	BRAND LABEL	1	1	1	1	1	1	1	1	1	1	1	1	1	1	1	1		[ DK79G041H02 ]
23	E22 838 936	CAPILLARY TUBE	2	2	2	2	2	2	2	2	2	2	2	2	2	2	2	2		Ø3.0 × Ø2.0 × 200
24	E27 F03 640	EXPANSION VALVE	1	1	1	1	1	1	1	1	1	1	1	1	1	1	1	1		ROOM A
25	E22 89C 493	EXPANSION VALVE COIL	1	1	1	1	1	1	1	1	1	1	1	1	1	1	1	1	LEV A	RED
26	E27 N04 250	SCREW TS.ST 4 x 10	25	25	25	25	25	25	25	25	25	25	25	25	25	25	25	25		
27	E27 M71 078	THERMO COVER	1	1	1	1	1	1	1	1	1	1	1	1	1	1	1	1		
28	—	COMPRESSOR LEAD ASSEMBLY	1	1	1	1	1	1	1	1	1	1	1	1	1	1	1	1		[ DM78R445G06 ]
29	—	COMPRESSOR FELT (TOP)	1	1	1	1	1	1	1	1	1	1	1	1	1	1	1	1		[ SU33R462H02 ]
30	—	COMPRESSOR FELT (BODY)	1	1	1	1	1	1	1	1	1	1	1	1	1	1	1	1		[ BT33B019H03 ]
31	—	COMPRESSOR FELT (OUTER)	1	1	1	1	1	1	1	1	1	1	1	1	1	1	1	1		[ SU33N495H02 ]
32	E22 94G 645	EXPANSION VALVE ASSEMBLY	1	1	1	1	1	1	1	1	1	1	1	1	1	1	1	1		Includes STOP VALVES (LIQ, GAS), LEV body, Capillary tubes (Ø3.0 × Ø2.0 × 200)

**MXZ-2HA40VF MXZ-2HA50VF**  
**1-2. OUTDOOR UNIT ELECTRICAL PARTS**

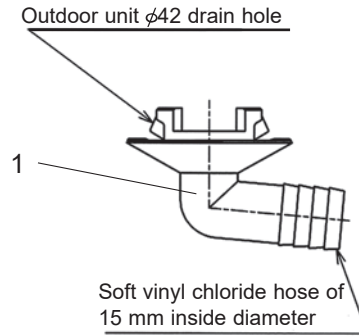


1. The part quantity below indicates the required number of pieces per unit.

No.	Part No.	Part Name	┌ E1	┌ ET1	┌ ER1	┌ E2	┌ E1	┌ ET1	┌ ER1	┌ E2	Symbol In Wiring Diagram	Remarks [Drawing No.]
			MXZ-2HA40VF -	MXZ-2HA40VF -	MXZ-2HA40VF -	MXZ-2HA40VF -	MXZ-2HA50VF -	MXZ-2HA50VF -	MXZ-2HA50VF -	MXZ-2HA50VF -		
1	E22 G11 337	REACTOR	1	1	1	1	1	1	1	1	ACL	10A 23μH
2	E22 J63 337	REACTOR	1	1	1	1	1	1	1	1	ACL2	2A 25μH
3	E22 W50 307	OUTDOOR HEAT EXCHANGER TEMPERATURE THERMISTOR	1	1	1	1	1	1	1	1	RT68	
4	E22 78A 308	THERMISTOR SET	1	1	1	1	1	1	1	1	RT61,62	DEFROST, DISCHARGE
5	E22 W50 309	AMBIENT TEMPERATURE THERMISTOR	1	1	1	1	1	1	1	1	RT65	
6	E22 784 382	FUSE	1	1	1	1	1	1	1	1	F1	T3.15AL250V
7	E27 001 241	FUSE HOLDER	1	1	1	1	1	1	1	1		
8	E22 J63 329	OUTDOOR DISPLAY P.C. BOARD	1	1	1	1	1	1	1	1		
9	E22 A47 490	R.V. COIL	1	1	1	1	1	1	1	1	21S4	Includes HEXAGON BOLT
10	E22 935 374	TERMINAL BLOCK	2	2	2	2	2	2	2	2	TB2,TB3	Indoor unit connecting
11	E22 F29 374	TERMINAL BLOCK	1	1	1	1	1	1	1	1	TB1	Power supply
12	E22 94G 451	INVERTER P.C. BOARD	1	1	1	1						Includes heat sink and RT64
12	E22 95G 451	INVERTER P.C. BOARD					1	1	1	1		Includes heat sink and RT64



**MXZ-2HA40VF MXZ-2HA50VF**  
**1-3. DRAIN SOCKET**

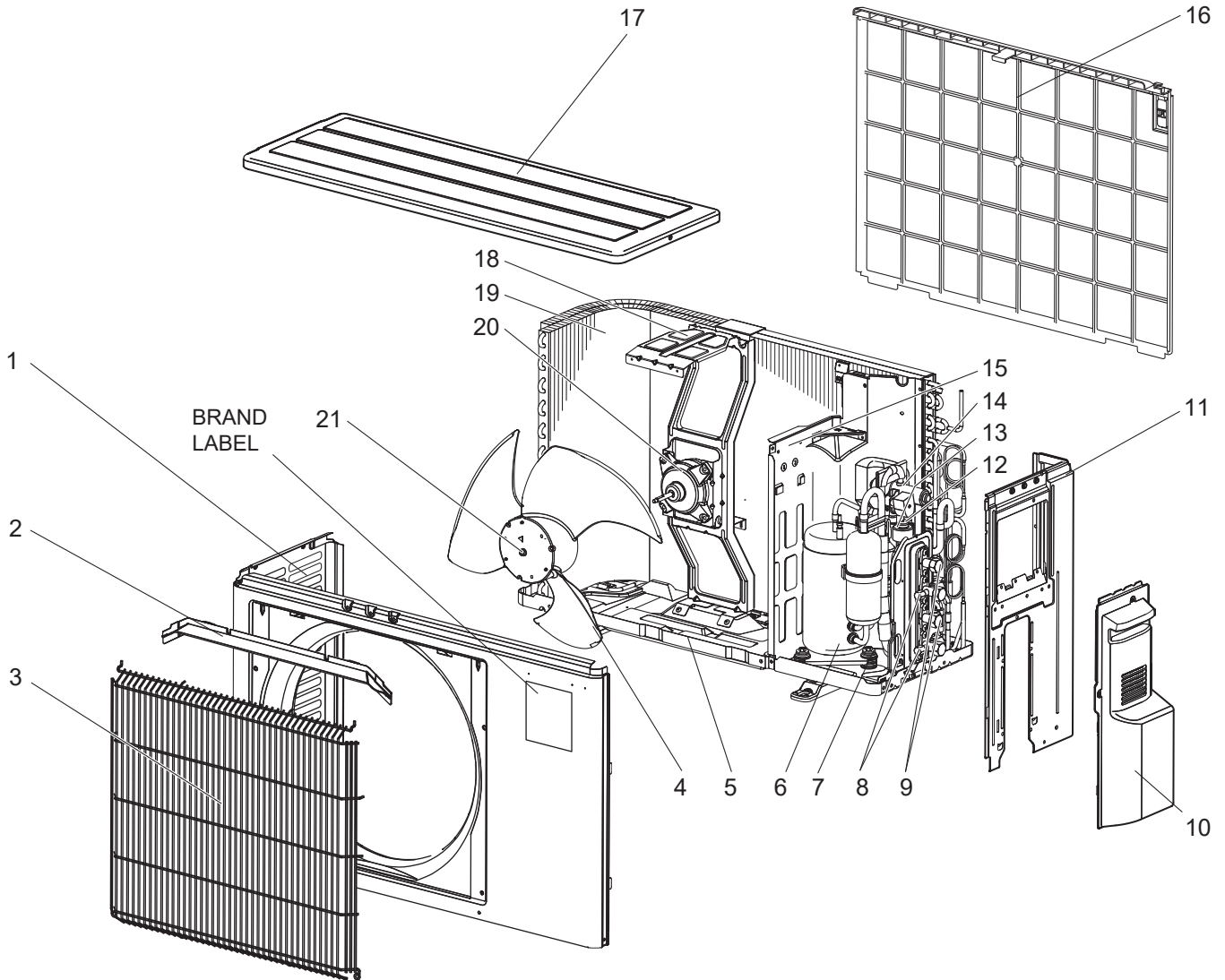


1. The part quantity below indicates the required number of pieces per unit.

No.	Part No.	Part Name	ET	ET1	ER1	E2	E1	ET1	ER1	E2	Symbol In Wiring Diagram	Remarks
			MXZ-2HA40VF -	MXZ-2HA40VF -	MXZ-2HA40VF -	MXZ-2HA40VF -	MXZ-2HA50VF -	MXZ-2HA50VF -	MXZ-2HA50VF -	MXZ-2HA50VF -		
1	E22 838 704	DRAIN SOCKET	1	1	1	1	1	1	1	1		

**MXZ-2HA40VF2 MXZ-2HA50VF2**

**1-4. OUTDOOR UNIT STRUCTURAL PARTS AND FUNCTIONAL PARTS**

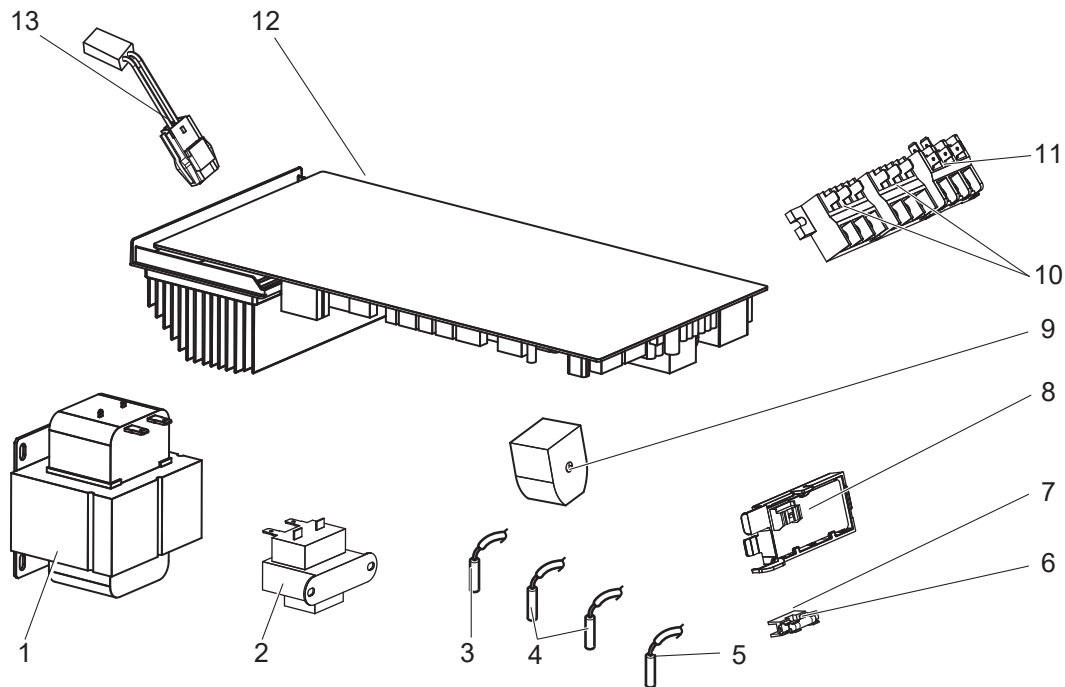


## 1-4. OUTDOOR UNIT STRUCTURAL PARTS AND FUNCTIONAL PARTS

1. The part quantity below indicates the required number of pieces per unit.
2. The circled No. indicates that the part is not shown in the figure.

No.	Part No.	Part Name	MXZ-2HA40VF2 - E1	MXZ-2HA40VF2 - ET1	MXZ-2HA50VF2 - E1	MXZ-2HA50VF2 - ET1	Symbol In Wiring Diagram	Remarks [Drawing No.]
1	E22 51V 232	CABINET	1	1	1	1		
2	E22 J63 531	ICE GUARD	1	1	1	1		
3	E22 Y84 521	GRILLE	1	1	1	1		
4	E22 927 501	PROPELLER FAN	1	1	1	1		
5	E22 98W 290	BASE	1	1	1	1		
6	E22 46W 900	COMPRESSOR	1	1	1	1	MC	SVB130FBBMT
7	E22 C34 506	COMPRESSOR RUBBER SET	3	3	3	3		3 RUBBERS/SET
8	E22 T95 661	STOP VALVE (GAS) 3/8	2	2	2	2		Ø9.52
9	E22 T95 662	STOP VALVE (LIQUID) 1/4	2	2	2	2		Ø6.35
10	E22 R81 245	SERVICE PANEL	1	1	1	1		
11	E22 J63 233	BACK PANEL	1	1	1	1		
12	E27 F03 640	EXPANSION VALVE	1	1	1	1		ROOM B
13	E22 90C 493	EXPANSION VALVE COIL	1	1	1	1	LEV B	BLUE
14	E22 A47 961	4-WAY VALVE	1	1	1	1		
15	E22 51V 293	SEPARATOR	1	1	1	1		
16	E22 G06 523	CONDENSER NET	1	1	1	1		
17	E22 51V 297	TOP PANEL	1	1	1	1		Includes PL NOTICE, SERVICE NOTE
18	E22 R50 515	MOTOR SUPPORT	1	1	1	1		
19	E22 95K 630	OUTDOOR HEAT EXCHANGER	1	1	1	1		
20	E22 P03 301	OUTDOOR FAN MOTOR	1	1	1	1	MF	RC0J50-□□
21	E27 L05 508	PROPELLER FAN NUT	1	1	1	1		
②②	E22 838 936	CAPILLARY TUBE	2	2	2	2		Ø3.0 × Ø2.0 × 200
②③	E27 F03 640	EXPANSION VALVE	1	1	1	1		ROOM A
②④	E22 89C 493	EXPANSION VALVE COIL	1	1	1	1	LEV A	RED
②⑤	E27 M71 078	THERMO HOLDER COVER	1	1	1	1		for RT65
②⑥	E22 99W 645	EXPANSION VALVE ASSEMBLY	1	1	1	1		Includes STOP VALVES (LIQ, GAS), LEV body, Capillary tubes (Ø3.0 × Ø2.0 × 200)

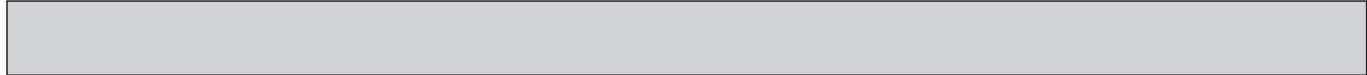
**MXZ-2HA40VF2 MXZ-2HA50VF2**  
**1-5. OUTDOOR UNIT ELECTRICAL PARTS**



1. The part quantity below indicates the required number of pieces per unit.

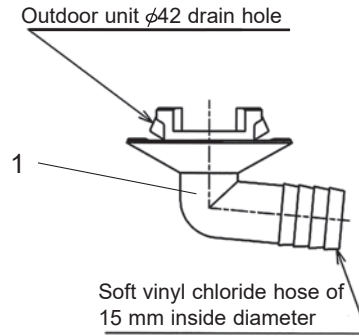
No.	Part No.	Part Name	ET	ET1	E1	ET1	Symbol In Wiring Diagram	Remarks [Drawing No.]
			MXZ-2HA40VF2 -	MXZ-2HA40VF2 -	MXZ-2HA50VF2 -	MXZ-2HA50VF2 -		
1	E22 20A 337	REACTOR	1	1	1	1	ACL	10A 23μH
2	E22 J63 337	REACTOR	1	1	1	1	ACL2	2A 25μH
3	E22 94K 307	OUTDOOR HEAT EXCHANGER TEMPERATURE THERMISTOR	1	1	1	1	RT68	
4	E22 94K 308	THERMISTOR SET	1	1	1	1	RT61,62	DEFROST, DISCHARGE
5	E22 W50 309	AMBIENT TEMPERATURE THERMISTOR	1	1	1	1	RT65	
6	E22 784 382	FUSE	1	1	1	1	F1	T3.15AL250V
7	E27 001 241	FUSE HOLDER	1	1	1	1		
8	E22 J63 329	OUTDOOR DISPLAY P.C. BOARD	1	1	1	1		
9	E22 A47 490	R.V. COIL	1	1	1	1	21S4	Includes HEXAGON BOLT
10	E22 935 374	TERMINAL BLOCK	2	2	2	2	TB2,TB3	Indoor unit connecting
11	E22 F29 374	TERMINAL BLOCK	1	1	1	1	TB1	Power supply
12	E22 06X 451	INVERTER P.C. BOARD	1	1				Includes heat sink and RT64
12	E22 07X 451	INVERTER P.C. BOARD			1	1		Includes heat sink and RT64
13	E22 51V 381	THERMAL PROTECTOR	1	1	1	1	TRS	





**MXZ-2HA40VF2 MXZ-2HA50VF2**

**1-6. DRAIN SOCKET**

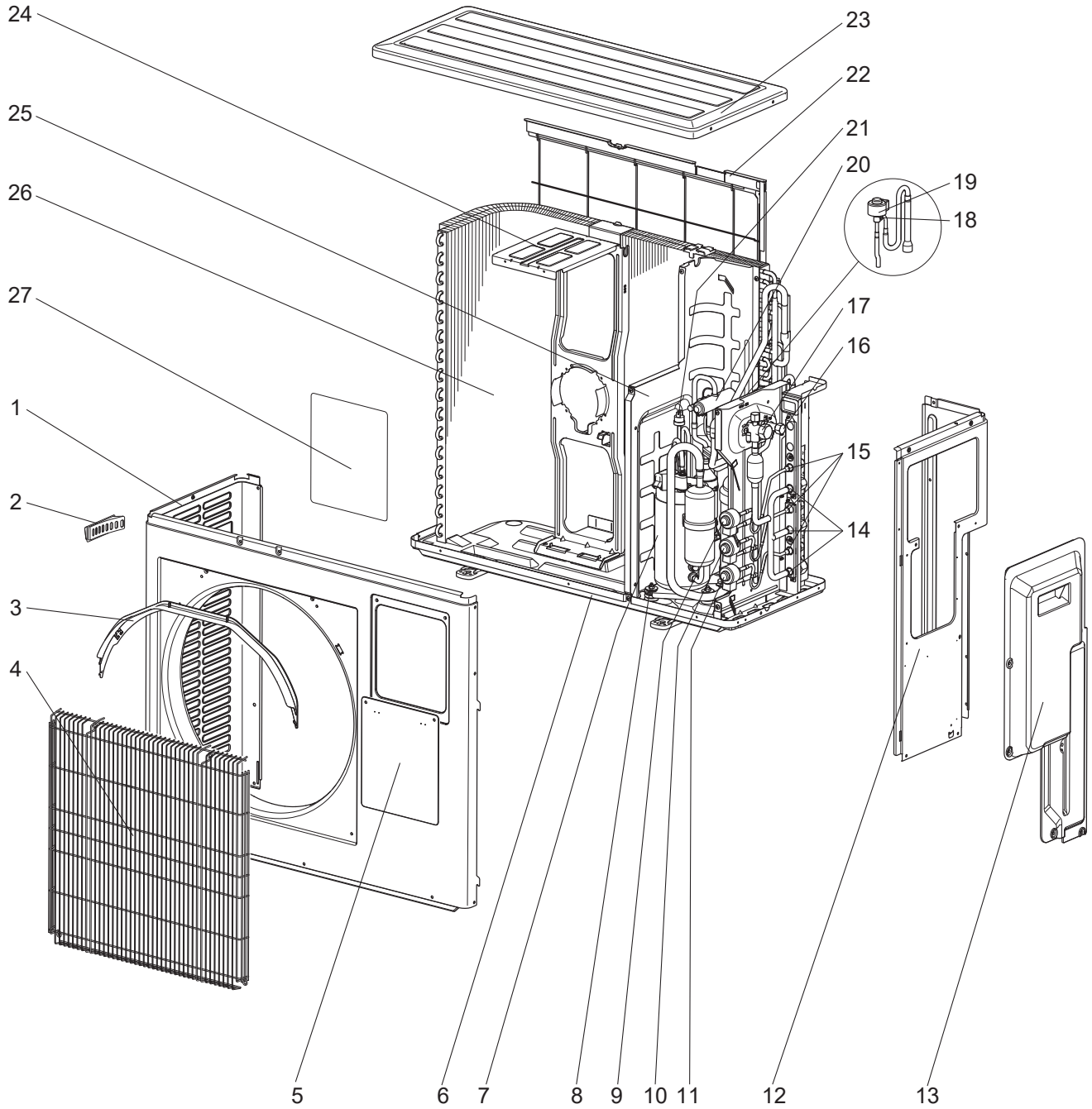


1. The part quantity below indicates the required number of pieces per unit.

No.	Part No.	Part Name	MXZ-2HA40VF2 - <span style="border: 1px solid black; padding: 0 2px;">E1</span>	MXZ-2HA40VF2 - <span style="border: 1px solid black; padding: 0 2px;">ET1</span>	MXZ-2HA50VF2 - <span style="border: 1px solid black; padding: 0 2px;">E1</span>	MXZ-2HA50VF2 - <span style="border: 1px solid black; padding: 0 2px;">ET1</span>	Symbol In Wiring Diagram	Remarks
1	E22 838 704	DRAIN SOCKET	1	1	1	1		

MXZ-3HA50VF - E1, ET1, ER1, E2, ET2, ER2

### 1-7. OUTDOOR UNIT STRUCTURAL PARTS AND FUNCTIONAL PARTS



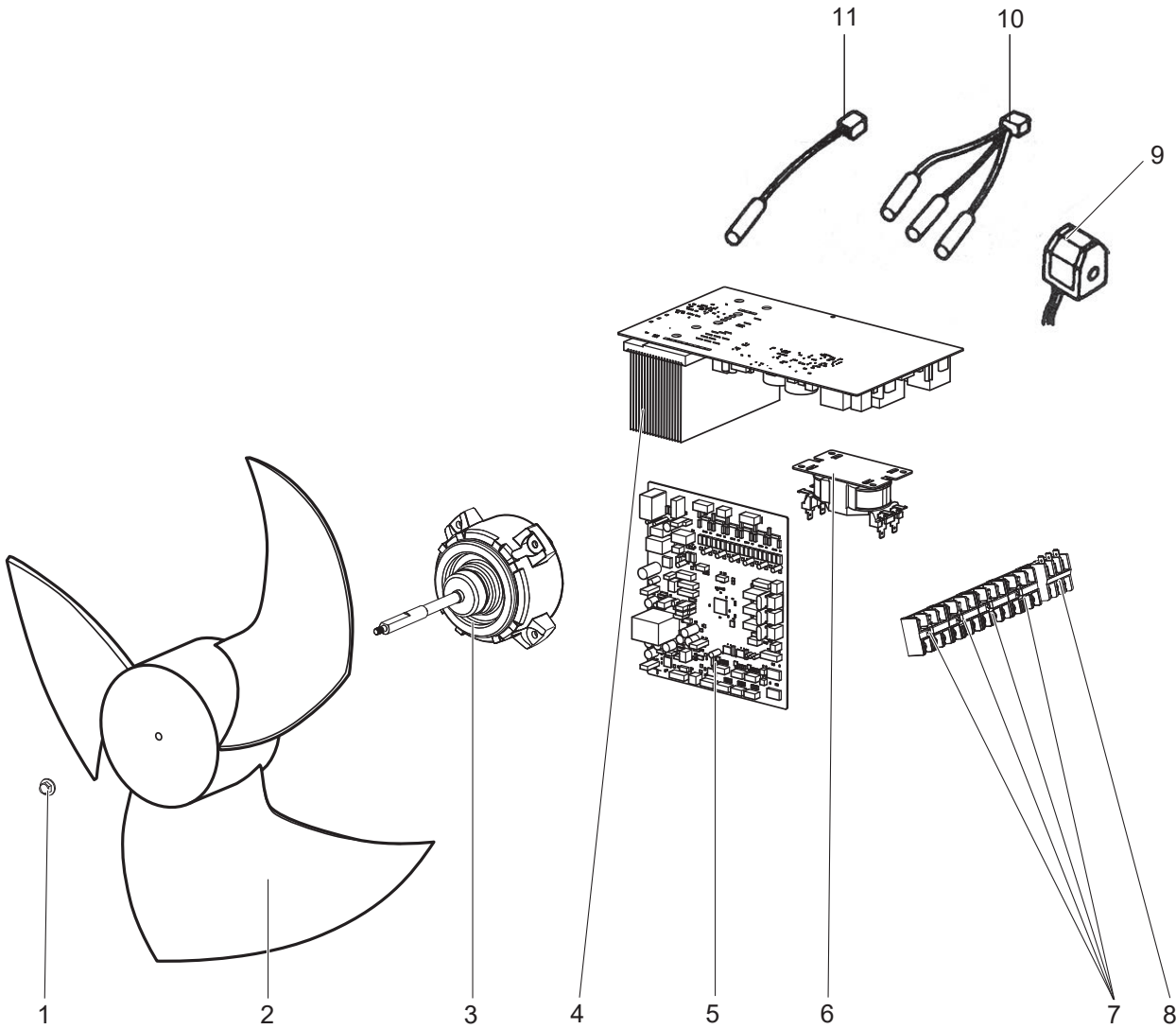
## 1-7. OUTDOOR UNIT STRUCTURAL PARTS AND FUNCTIONAL PARTS

1. The part quantity below indicates the required number of pieces per unit.
2. The circled No. indicates that the part is not shown in the figure.

No.	Part No.	Part Name	MXZ-3HA50VF - E1	MXZ-3HA50VF - ET1	MXZ-3HA50VF - ER1	MXZ-3HA50VF - E2	MXZ-3HA50VF - ET2	MXZ-3HA50VF - ER2	Symbol In Wiring Diagram	Remarks [Drawing No.]
1	E22 T07 232	CABINET	1	1	1	1	1	1		
2	E22 817 009	HANDLE	1	1	1	1	1	1		
3	E22 J69 531	ICE GUARD	1	1	1	1	1	1		
4	E22 R24 521	GRILLE	1	1	1	1	1	1		
5	E22 T07 246	SUB PANEL	1	1	1	1	1	1		
6	E22 T07 290	BASE	1	1	1	1	1	1		
7	E22 92C 900	COMPRESSOR	1	1	1	1	1	1	MC	SVB130FBBM1T
8	E22 C34 506	COMPRESSOR RUBBER SET	3	3	3	3	3	3		3 RUBBERS SET
9	E27 F03 640	EXPANSION VALVE	1	1	1	1	1	1		C room, LEV C, body Includes DAMPER
9	E22 94C 493	EXPANSION VALVE COIL	1	1	1	1	1	1	LEV C	C room, BLUE
10	E27 F03 640	EXPANSION VALVE	1	1	1	1	1	1		B room, LEV B, body Includes DAMPER
10	E22 93C 493	EXPANSION VALVE COIL	1	1	1	1	1	1	LEV B	B room, RED
11	E27 F03 640	EXPANSION VALVE	1	1	1	1	1	1		A room, LEV A, body Includes DAMPER
11	E22 92C 493	EXPANSION VALVE COIL	1	1	1	1	1	1	LEV A	A, room, WHITE
12	E22 R51 233	BACK PANEL	1	1	1	1	1	1		
13	E22 R51 245	SERVICE PANEL	1	1	1	1	1	1		
14	E22 D36 666	UNION (GAS) 3/8	3	3	3	3	3	3		Ø9.52
15	E22 D36 667	UNION (LIQUID) 1/4	3	3	3	3	3	3		Ø6.35
16	E22 D36 662	STOP VALVE (LIQUID) 3/8	1	1	1	1	1	1		Ø9.52
17	E22 D36 661	STOP VALVE (GAS) 5/8	1	1	1	1	1	1		Ø15.88
18	E22 06F 640	EXPANSION VALVE	1	1	1	1	1	1		LEV R, body
19	E22 T07 493	EXPANSION VALVE COIL	1	1	1	1	1	1	LEV R	BLUE
20	E22 C18 961	4-WAY VALVE	1	1	1	1	1	1		
21	E27 942 646	HIGH PRESSURE SWITCH	1	1	1	1	1	1	HPS	
22	E22 J69 523	REAR GUARD	1	1	1	1	1	1		
23	E22 819 297	TOP PANEL	1	1	1	1	1	1		Includes PL NOTICE, SERVICE NOTE
24	E22 J69 515	MOTOR SUPPORT	1	1	1	1	1	1		
25	E22 96G 293	SEPARATOR	1	1	1	1	1	1		
26	E22 T07 630	OUTDOOR HEAT EXCHANGER	1	1	1	1	1	1		
27	—	BRAND LABEL	1	1	1	1	1	1		[ DK79G041H02 ]
28	E22 939 936	CAPILLARY TUBE	3	3	3	3	3	3		Ø4.0 × Ø2.8 × 100, Includes DAMPER
29	E22 96G 959	POWER RECEIVER	1	1	1	1	1	1		
30	E27 N04 250	SCREW TS.ST 4 x 10	33	33	33	33	33	33		
31	—	COMPRESSOR LEAD ASSEMBLY	1	1	1	1	1	1		[ BH78T881G07 ]
32	—	COMPRESSOR FELT (TOP)	1	1	1	1	1	1		[ RK33J337H03 ]
33	—	COMPRESSOR FELT (BODY)	1	1	1	1	1	1		[ RK33J216H02 ]
34	—	COMPRESSOR FELT (SIDE)	1	1	1	1	1	1		[ RK33J207H01 ]
35	—	COMPRESSOR FELT (BACK)	1	1	1	1	1	1		[ BK33V324H01 ]
36	E22 96G 963	DISCHARGE PIPE ASSEMBLY	1	1	1	1	1	1		Includes HPS, Oil separator, Capillary tube (Ø2.5 × Ø0.6 × 1000)
37	E22 J69 299	OIL SEPARATOR	1	1	1	1	1	1		

**MXZ-3HA50VF - [E1], [ET1], [ER1], [E2], [ET2], [ER2]**

**1-8. OUTDOOR UNIT FUNCTIONAL PARTS AND ELECTRICAL PARTS**



**1-9. ACCESSORY**



## 1-8. OUTDOOR UNIT FUNCTIONAL PARTS AND ELECTRICAL PARTS

1. The part quantity below indicates the required number of pieces per unit.
2. The circled No. indicates that the part is not shown in the figure.

No.	Part No.	Part Name	MXZ-3HA50VF -						Symbol in Wiring Diagram	Remarks [Drawing No.]
			E1	ET1	ER1	E2	ET2	ER2		
1	E27 A15 508	PROPELLER FAN NUT	1	1	1	1	1	1		
2	E22 851 501	PROPELLER FAN	1	1	1	1	1	1		
3	E22 16B 301	OUTDOOR FAN MOTOR	1	1	1	1			MF	
3	E22 99R 301	OUTDOOR FAN MOTOR						1	1	MF
4	E22 92C 440	OUTDOOR POWER P.C. BOARD	1	1	1	1	1	1	1	Includes heat sink and RT64
5	E22 96G 450	OUTDOOR CONTROL P.C. BOARD	1	1	1	1				
5	E22 99R 450	OUTDOOR CONTROL P.C. BOARD						1	1	
6	E22 R51 337	REACTOR	1	1	1	1	1	1	L	20A 600μH
7	E22 C92 375	TERMINAL BLOCK	3	3	3	3	3	3	TB2~4	Indoor unit connecting
8	E22 G07 374	TERMINAL BLOCK	1	1	1	1	1	1	TB1	Power supply
9	E22 T07 490	R.V. COIL	1	1	1	1	1	1	21S4	Includes screw M5 x 6.5
10	E22 T07 308	THERMISTOR SET	1	1	1	1	1	1	RT61, RT62, RT68	DEFROST, DISCHARGE, OUTDOOR HEAT EXCHANGER
11	E22 96G 309	AMBIENT TEMPERATURE THERMISTOR	1	1	1	1	1	1	RT65	
⑫	—	OUTDOOR POWER P.C. BOARD HOLDER	1	1	1	1	1	1		[ BK00N964G02 ]
⑬	—	P.C. BOARD COVER	1	1	1	1	1	1		[ BK00T375G04 ]
⑭	—	OUTDOOR CONTROL P.C. BOARD HOLDER	1	1	1	1	1	1		[ BK25Y530G05 ]

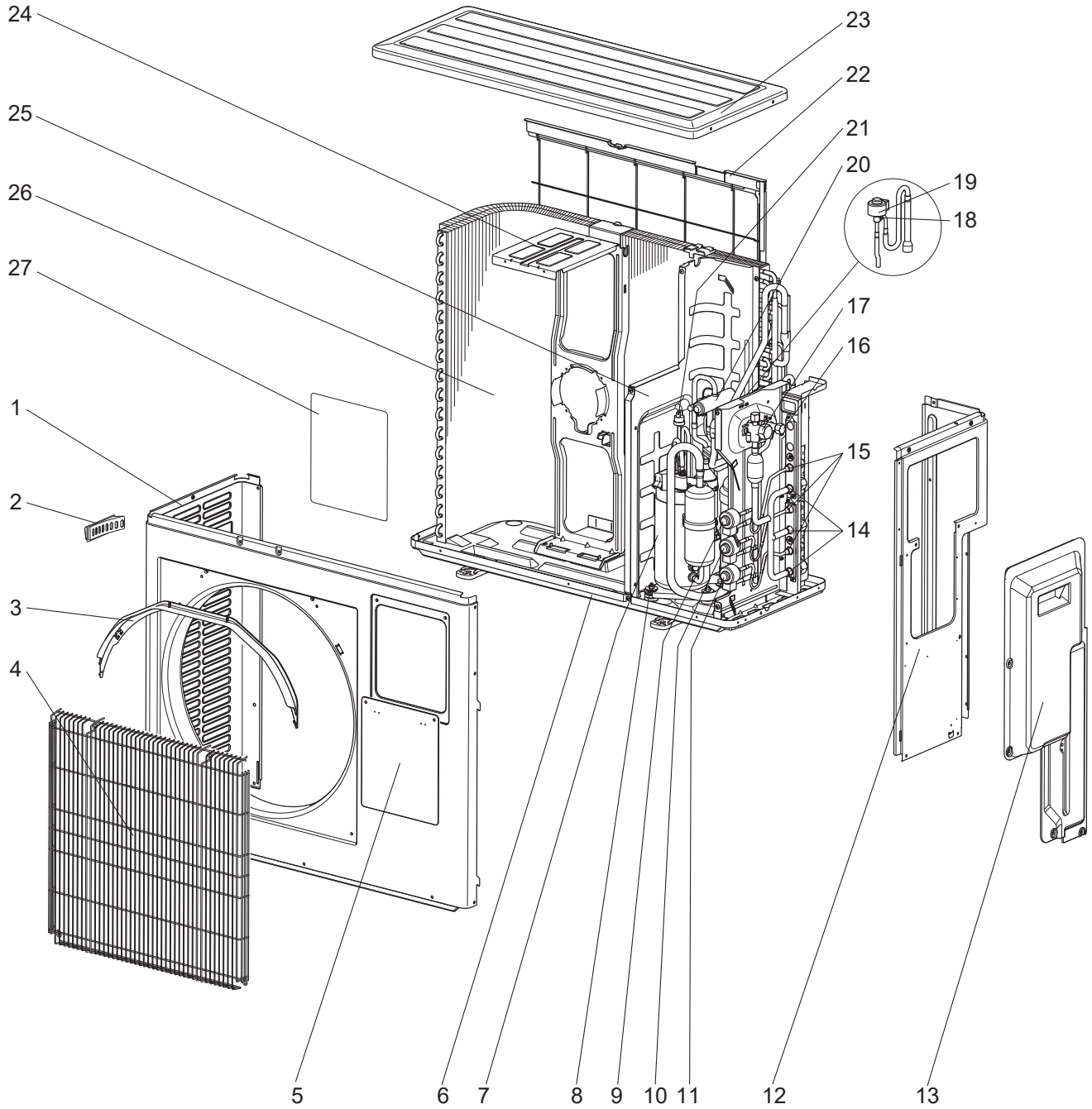
## 1-9. ACCESSORY

1. The part quantity below indicates the required number of pieces per unit.

No.	Part No.	Part Name	MXZ-3HA50VF -						Symbol in Wiring Diagram	Remarks
			E1	ET1	ER1	E2	ET2	ER2		
15	E22 817 704	DRAIN SOCKET	1	1	1	1	1	1		
16	E22 444 705	DRAIN CAP	2	2	2	2	2	2		2PCS/SET

MXZ-3HA50VF - E3

1-10. OUTDOOR UNIT STRUCTURAL PARTS AND FUNCTIONAL PARTS



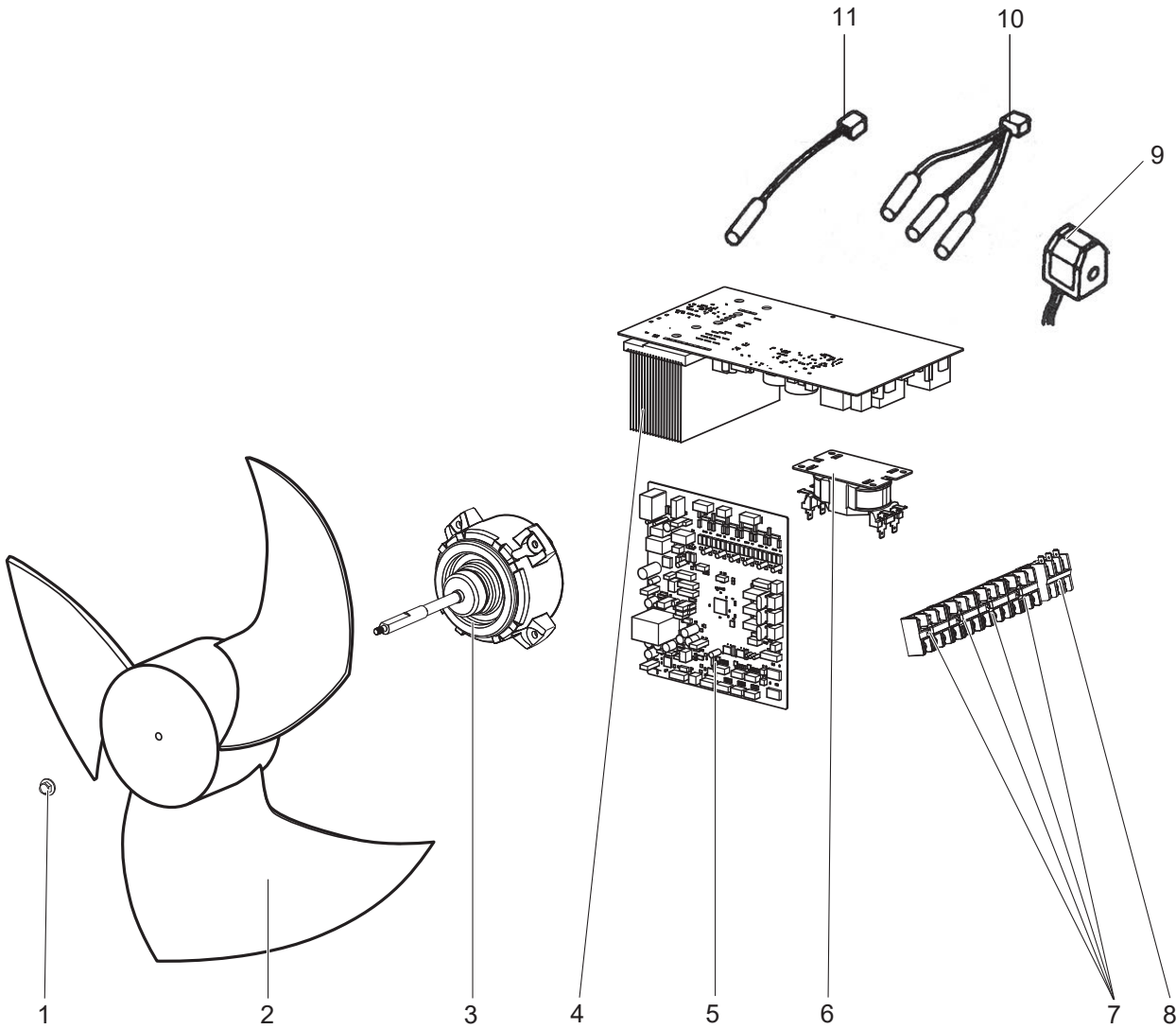
## 1-10. OUTDOOR UNIT STRUCTURAL PARTS AND FUNCTIONAL PARTS

1. The part quantity below indicates the required number of pieces per unit.
2. The circled No. indicates that the part is not shown in the figure.

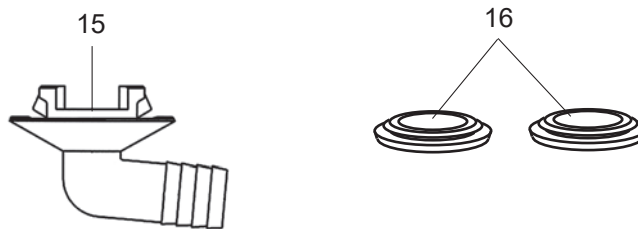
No.	Part No.	Part Name	MXZ-3HA50VF - E3	Symbol In Wiring Diagram	Remarks [Drawing No.]
1	E22 T07 232	CABINET	1		
2	E22 817 009	HANDLE	1		
3	E22 J69 531	ICE GUARD	1		
4	E22 R24 521	GRILLE	1		
5	E22 T07 246	SUB PANEL	1		
6	E22 T07 290	BASE	1		
7	E22 92C 900	COMPRESSOR	1	MC	SVB130FBBM1T
8	E22 C34 506	COMPRESSOR RUBBER SET	3		3 RUBBERS SET
9	E27 F03 640	EXPANSION VALVE	1		C room, LEV C, body Includes DAMPER
9	E22 94C 493	EXPANSION VALVE COIL	1	LEV C	C room, BLUE
10	E27 F03 640	EXPANSION VALVE	1		B room, LEV B, body Includes DAMPER
10	E22 93C 493	EXPANSION VALVE COIL	1	LEV B	B room, RED
11	E27 F03 640	EXPANSION VALVE	1		A room, LEV A, body Includes DAMPER
11	E22 92C 493	EXPANSION VALVE COIL	1	LEV A	A, room, WHITE
12	E22 R51 233	BACK PANEL	1		
13	E22 R51 245	SERVICE PANEL	1		
14	E22 D36 666	UNION (GAS) 3/8	3		Ø9.52
15	E22 D36 667	UNION (LIQUID) 1/4	3		Ø6.35
16	E22 D36 662	STOP VALVE (LIQUID) 3/8	1		Ø9.52
17	E22 D36 661	STOP VALVE (GAS) 5/8	1		Ø15.88
18	E22 06F 640	EXPANSION VALVE	1		LEV R, body
19	E22 T07 493	EXPANSION VALVE COIL	1	LEV R	BLUE
20	E22 C18 961	4-WAY VALVE	1		
21	E27 942 646	HIGH PRESSURE SWITCH	1	HPS	
22	E22 J69 523	REAR GUARD	1		
23	E22 819 297	TOP PANEL	1		Includes PL NOTICE, SERVICE NOTE
24	E22 J69 515	MOTOR SUPPORT	1		
25	E22 96G 293	SEPARATOR	1		
26	E22 T07 630	OUTDOOR HEAT EXCHANGER	1		
27	—	BRAND LABEL	1		[ DK79G041H02 ]
28	E22 939 936	CAPILLARY TUBE	3		Ø4.0 × Ø2.8 × 100, Includes DAMPER
29	E22 96G 959	POWER RECEIVER	1		
30	E27 N04 250	SCREW TS.ST 4 x 10	33		
31	—	COMPRESSOR LEAD ASSEMBLY	1		[ BH78T881G07 ]
32	—	COMPRESSOR FELT (TOP)	1		[ RK33J337H03 ]
33	—	COMPRESSOR FELT (BODY)	1		[ RK33J216H02 ]
34	—	COMPRESSOR FELT (SIDE)	1		[ RK33J207H01 ]
35	—	COMPRESSOR FELT (BACK)	1		[ BK33V324H01 ]
36	E22 96G 963	DISCHARGE PIPE ASSEMBLY	1		Includes HPS, Oil separator, Capillary tube (Ø2.5 × Ø0.6 × 1000)
37	E22 J69 299	OIL SEPARATOR	1		

**MXZ-3HA50VF - E3**

**1-11. OUTDOOR UNIT FUNCTIONAL PARTS AND ELECTRICAL PARTS**



**1-12. ACCESSORY**





## 1-11. OUTDOOR UNIT FUNCTIONAL PARTS AND ELECTRICAL PARTS

1. The part quantity below indicates the required number of pieces per unit.
2. The circled No. indicates that the part is not shown in the figure.

No.	Part No.	Part Name	MXZ-3HA50VF - E3	Symbol in Wiring Diagram	Remarks [Drawing No.]
1	E27 A15 508	PROPELLER FAN NUT	1		
2	E22 851 501	PROPELLER FAN	1		
3	E22 99R 301	OUTDOOR FAN MOTOR	1	MF	
4	E22 92C 440	OUTDOOR POWER P.C. BOARD	1		Includes heat sink and RT64
5	E22 99R 450	OUTDOOR CONTROL P.C. BOARD	1		
6	E22 R51 337	REACTOR	1	L	20A 600 $\mu$ H
7	E22 C92 375	TERMINAL BLOCK	3	TB2~4	Indoor unit connecting
8	E22 G07 374	TERMINAL BLOCK	1	TB1	Power supply
9	E22 T07 490	R.V. COIL	1	21S4	Includes screw M5 x 6.5
10	E22 T07 308	THERMISTOR SET	1	RT61, RT62, RT68	DEFROST, DISCHARGE, OUTDOOR HEAT EXCHANGER
11	E22 96G 309	AMBIENT TEMPERATURE THERMISTOR	1	RT65	
(12)	—	OUTDOOR POWER P.C. BOARD HOLDER	1		[ BK00N964G02 ]
(13)	—	P.C. BOARD COVER	1		[ BK00T375G04 ]
(14)	—	OUTDOOR CONTROL P.C. BOARD HOLDER	1		[ BK25Y530G05 ]

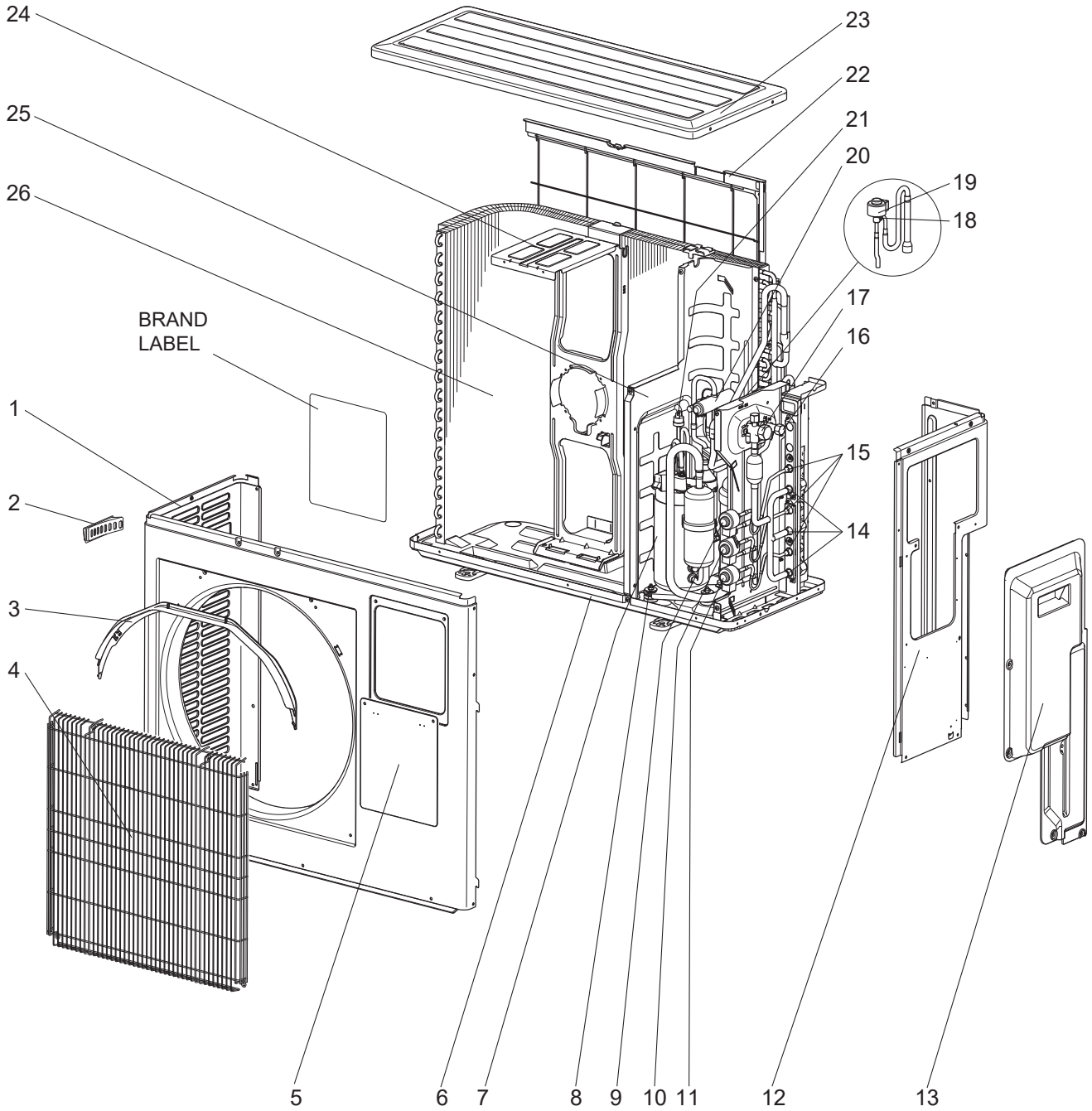
## 1-12. ACCESSORY

1. The part quantity below indicates the required number of pieces per unit.

No.	Part No.	Part Name	MXZ-3HA50VF - E3	Symbol in Wiring Diagram	Remarks
15	E22 817 704	DRAIN SOCKET	1		
16	E22 444 705	DRAIN CAP	2		2PCS/SET

**MXZ-3HA50VF2**

**1-13. OUTDOOR UNIT STRUCTURAL PARTS AND FUNCTIONAL PARTS**



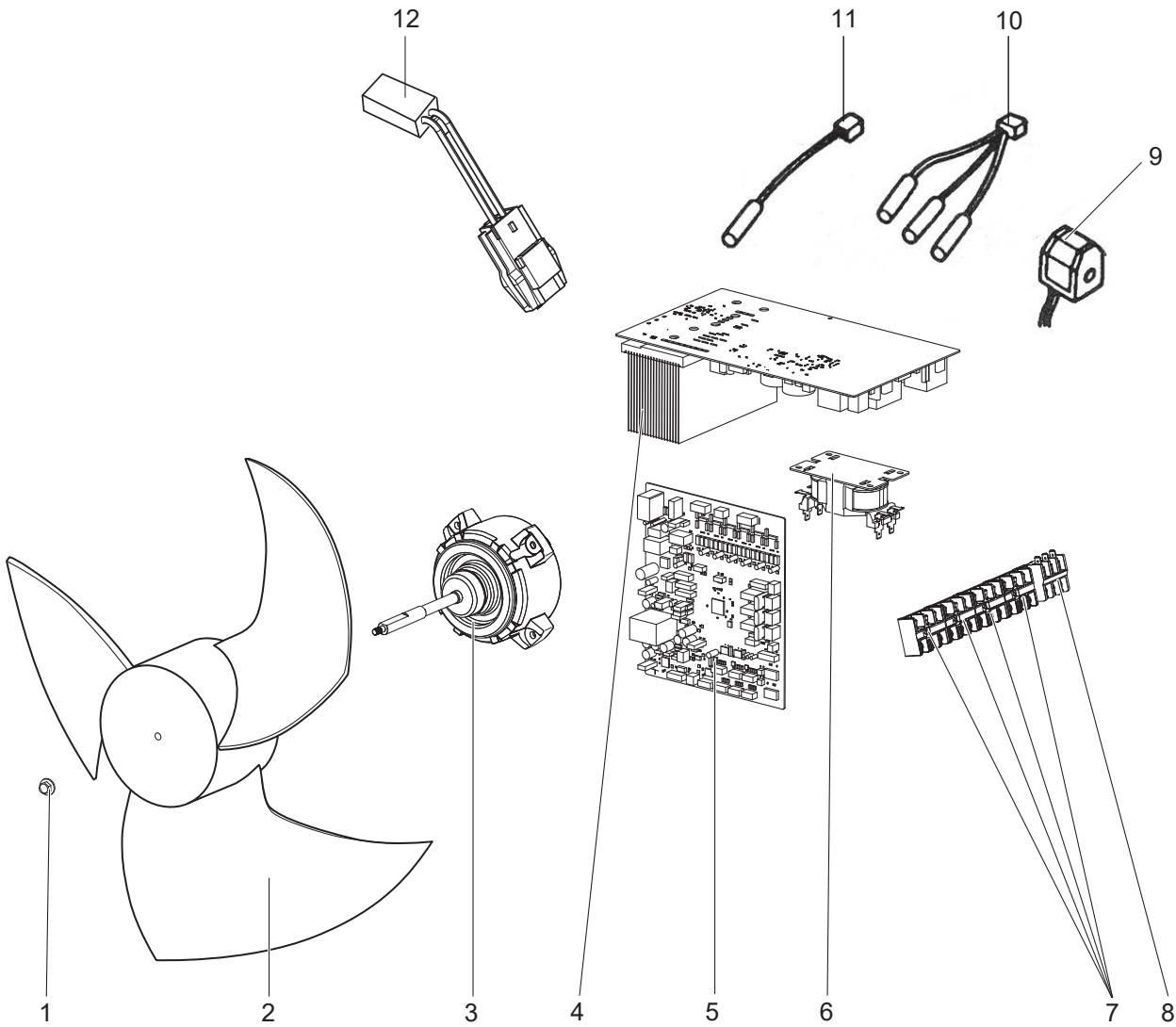
## 1-13. OUTDOOR UNIT STRUCTURAL PARTS AND FUNCTIONAL PARTS

1. The part quantity below indicates the required number of pieces per unit.
2. The circled No. indicates that the part is not shown in the figure.

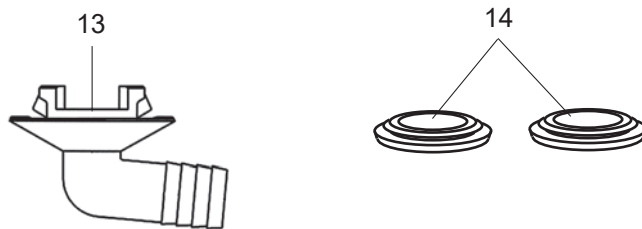
No.	Part No.	Part Name	MXZ-3HA50VF2 - [E]	MXZ-3HA50VF2 - [ET]	Symbol In Wiring Diagram	Remarks [Drawing No.]
1	E22 T06 232	CABINET	1	1		
2	E22 817 009	HANDLE	1	1		
3	E22 J69 531	ICE GUARD	1	1		
4	E22 R24 521	GRILLE	1	1		
5	E22 T07 246	SUB PANEL	1	1		
6	E22 T07 290	BASE	1	1		
7	E22 46W 900	COMPRESSOR	1	1	MC	SVB130FBBM1T
8	E22 C34 506	COMPRESSOR RUBBER SET	3	3		3 RUBBERS SET
9	E27 F03 640	EXPANSION VALVE	1	1		C room, LEV C, body Includes DAMPER
9	E22 94C 493	EXPANSION VALVE COIL	1	1	LEV C	C room, BLUE
10	E27 F03 640	EXPANSION VALVE	1	1		B room, LEV B, body Includes DAMPER
10	E22 93C 493	EXPANSION VALVE COIL	1	1	LEV B	B room, RED
11	E27 F03 640	EXPANSION VALVE	1	1		A room, LEV A, body Includes DAMPER
11	E22 92C 493	EXPANSION VALVE COIL	1	1	LEV A	A, room, WHITE
12	E22 R51 233	BACK PANEL	1	1		
13	E22 R51 245	SERVICE PANEL	1	1		
14	E22 D36 666	UNION (GAS) 3/8	3	3		Ø9.52
15	E22 D36 667	UNION (LIQUID) 1/4	3	3		Ø6.35
16	E22 D36 662	STOP VALVE (LIQUID) 3/8	1	1		Ø9.52
17	E22 D36 661	STOP VALVE (GAS) 5/8	1	1		Ø15.88
18	E22 06F 640	EXPANSION VALVE	1	1		LEV R, body
19	E22 T07 493	EXPANSION VALVE COIL	1	1	LEV R	BLUE
20	E22 C18 961	4-WAY VALVE	1	1		
21	E27 942 646	HIGH PRESSURE SWITCH	1	1	HPS	
22	E22 J69 523	REAR GUARD	1	1		
23	E22 06T 297	TOP PANEL	1	1		Includes PL NOTICE, SERVICE NOTE
24	E22 J69 515	MOTOR SUPPORT	1	1		
25	E22 94W 293	SEPARATOR	1	1		
26	E22 T07 630	OUTDOOR HEAT EXCHANGER	1	1		
⑳	E22 939 936	CAPILLARY TUBE	3	3		Ø4.0 × Ø2.8 × 100, Close to every Expansion valve
㉑	E22 96G 959	POWER RECEIVER	1	1		
㉒	E22 96G 963	DISCHARGE PIPE ASSEMBLY	1	1		Includes HPS, Oil separator, Capillary tube (Ø2.5 × Ø0.6 × 1000)

**MXZ-3HA50VF2**

**1-14. OUTDOOR UNIT FUNCTIONAL PARTS AND ELECTRICAL PARTS**



**1-15. ACCESSORY**



## 1-14. OUTDOOR UNIT FUNCTIONAL PARTS AND ELECTRICAL PARTS

1. The part quantity below indicates the required number of pieces per unit.
2. The circled No. indicates that the part is not shown in the figure.

No.	Part No.	Part Name	MXZ-3HA50VF2 - E1	MXZ-3HA50VF2 - ET1	Symbol in Wiring Diagram	Remarks [Drawing No.]
1	E27 A15 508	PROPELLER FAN NUT	1	1		
2	E22 851 501	PROPELLER FAN	1	1		
3	E22 16B 301	OUTDOOR FAN MOTOR	1	1	MF	
4	E22 1L6 440	OUTDOOR POWER P.C. BOARD	1	1		Includes heat sink and RT64
5	E22 9L1 450	OUTDOOR CONTROL P.C. BOARD	1	1		
6	E22 4L0 337	REACTOR	1	1	L	
7	E22 C92 375	TERMINAL BLOCK	3	3	TB2~4	Indoor unit connecting
8	E22 G07 374	TERMINAL BLOCK	1	1	TB1	Power supply
9	E22 T07 490	R.V. COIL	1	1	21S4	Includes screw M5 x 6.5
10	E22 01L 308	THERMISTOR SET	1	1	RT61, RT62, RT68	DEFROST, DISCHARGE, OUTDOOR HEAT EXCHANGER
11	E22 96G 309	AMBIENT TEMPERATURE THERMISTOR	1	1	RT65	
12	E22 94W 381	THERMAL PROTECTOR	1	1	TRS	

## 1-15. ACCESSORY

1. The part quantity below indicates the required number of pieces per unit.

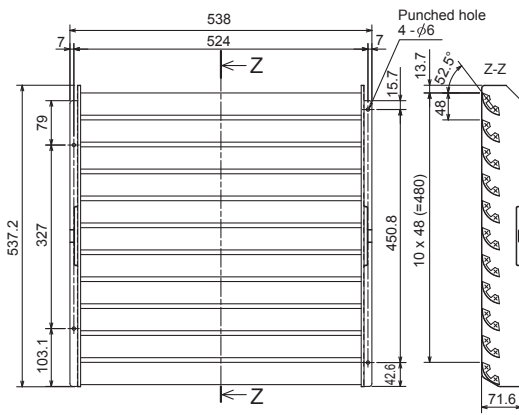
No.	Part No.	Part Name	MXZ-3HA50VF2 - E1	MXZ-3HA50VF2 - ET1	Symbol in Wiring Diagram	Remarks
13	E22 817 704	DRAIN SOCKET	1	1		
14	E22 444 705	DRAIN CAP	2	2		2PCS/SET

## 2-1. OUTLET GUIDE

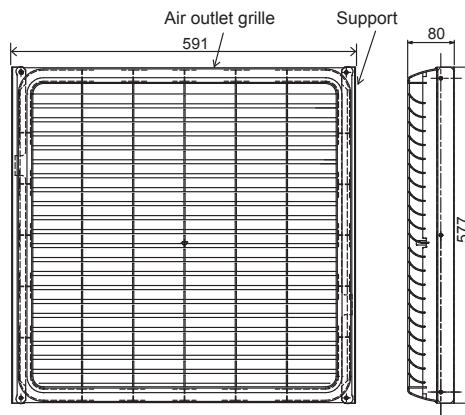
Unit: mm

Changes air discharge direction.

Applied unit	Model name
MXZ-2HA40VF MXZ-2HA50VF MXZ-2HA40VF2 MXZ-2HA50VF2	MAC-889SG
MXZ-3HA50VF MXZ-3HA50VF2	MAC-856SG



MAC-889SG



MAC-856SG

## MITSUBISHI ELECTRIC CORPORATION

HEAD OFFICE: TOKYO BUILDING, 2-7-3, MARUNOUCHI, CHIYODA-KU, TOKYO 100-8310, JAPAN

© Copyright 2018 MITSUBISHI ELECTRIC CORPORATION

Issued: Mar. 2025. No. OBB828 REVISED EDITION-F

Issued: Dec. 2022. No. OBB828 REVISED EDITION-E

Issued: Jul. 2021. No. OBB828 REVISED EDITION-D

Issued: Mar. 2021. No. OBB828 REVISED EDITION-C

Issued: Feb. 2021. No. OBB828 REVISED EDITION-B

Issued: Mar. 2020. No. OBB828 REVISED EDITION-A

Published: Dec. 2018. No. OBB828

Made in Japan

Specifications are subject to change without notice.