

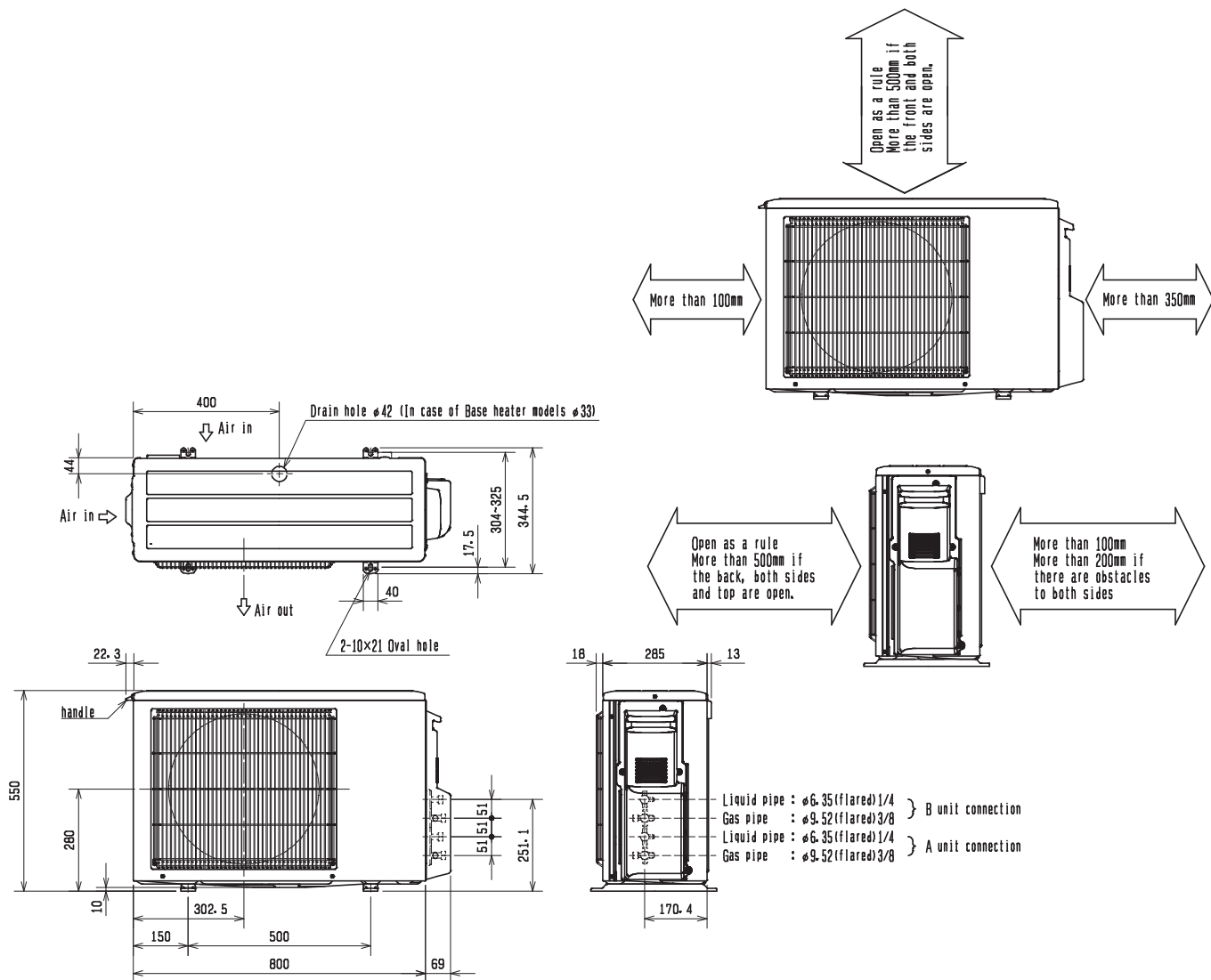
C.4.2 OUTLINES AND DIMENSIONS

C.4.2.1 Inverter Heat Pump

MXZ-2F33VF4	MXZ-2D33VA	MXZ-2DM40VA
MXZ-2F42VF4	MXZ-2D42VA2	MXZ-2HA40VF2
MXZ-2F53VF4	MXZ-2D53VA2	MXZ-2HA50VF2
MXZ-2F53VFH4	MXZ-2D53VAH2	

OUTDOOR UNIT

Unit: mm



OUTLINES AND DIMENSIONS

MULTI SYSTEM