

OUTDOOR UNIT

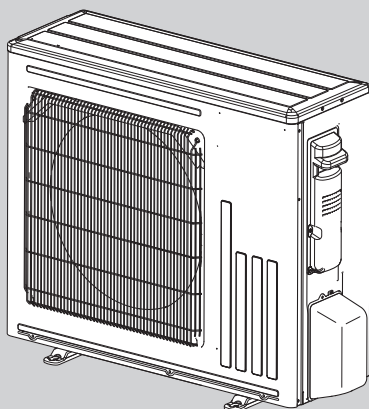
PARTS CATALOG



No. OBB903

Models

MUZ-RW25VGHZ - E1, SC1
MUZ-RW35VGHZ - E1, SC1
MUZ-RW50VGHZ - E1, SC1



MUZ-RW25VGHZ
MUZ-RW35VGHZ

CONTENTS

1. SERVICE PARTS LIST 2

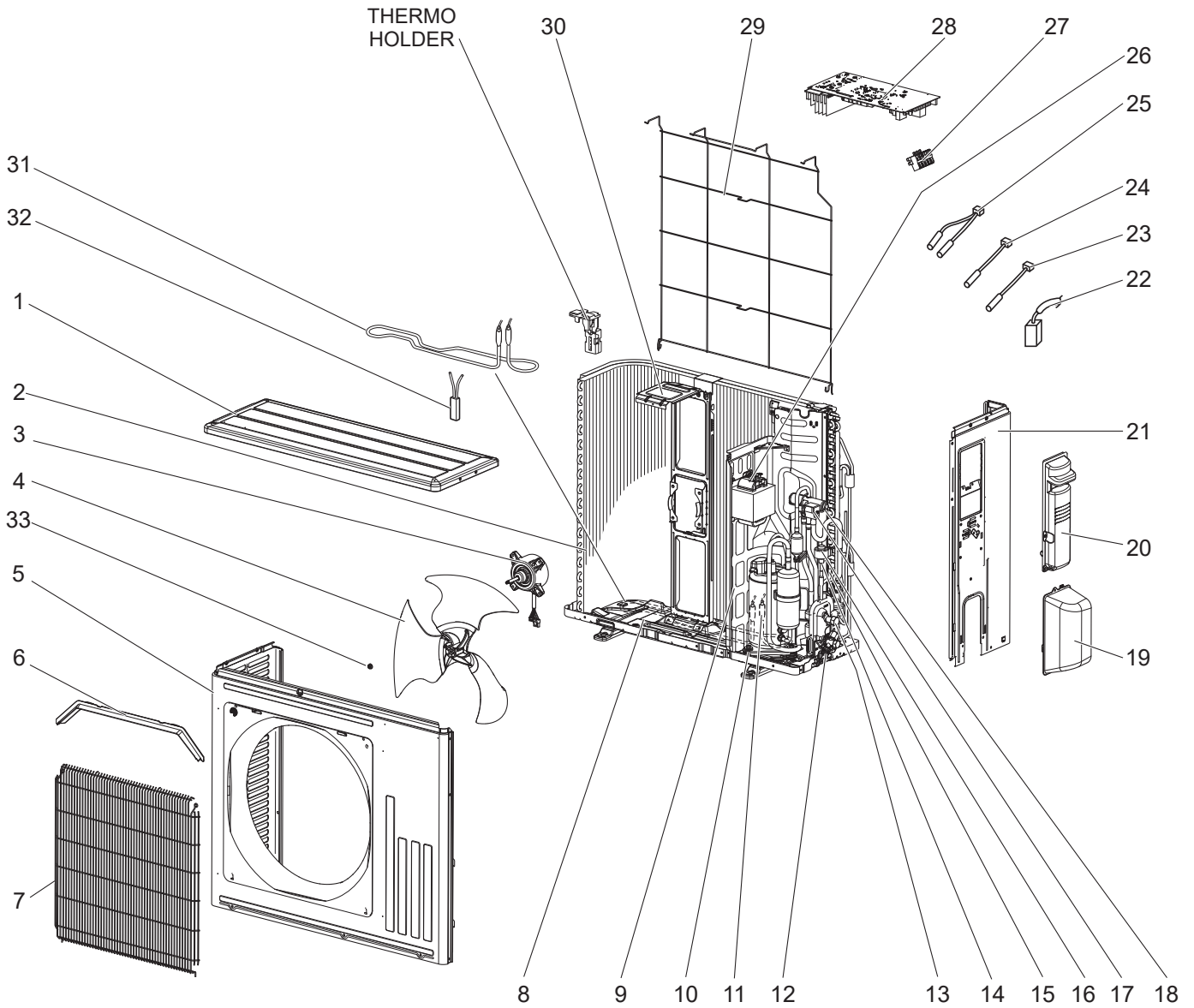
SERVICE MANUAL (OBH903)

1

SERVICE PARTS LIST

MUZ-RW25VGHZ MUZ-RW35VGHZ

1-1. OUTDOOR UNIT STRUCTURAL PARTS, ELECTRICAL PARTS AND FUNCTIONAL PARTS

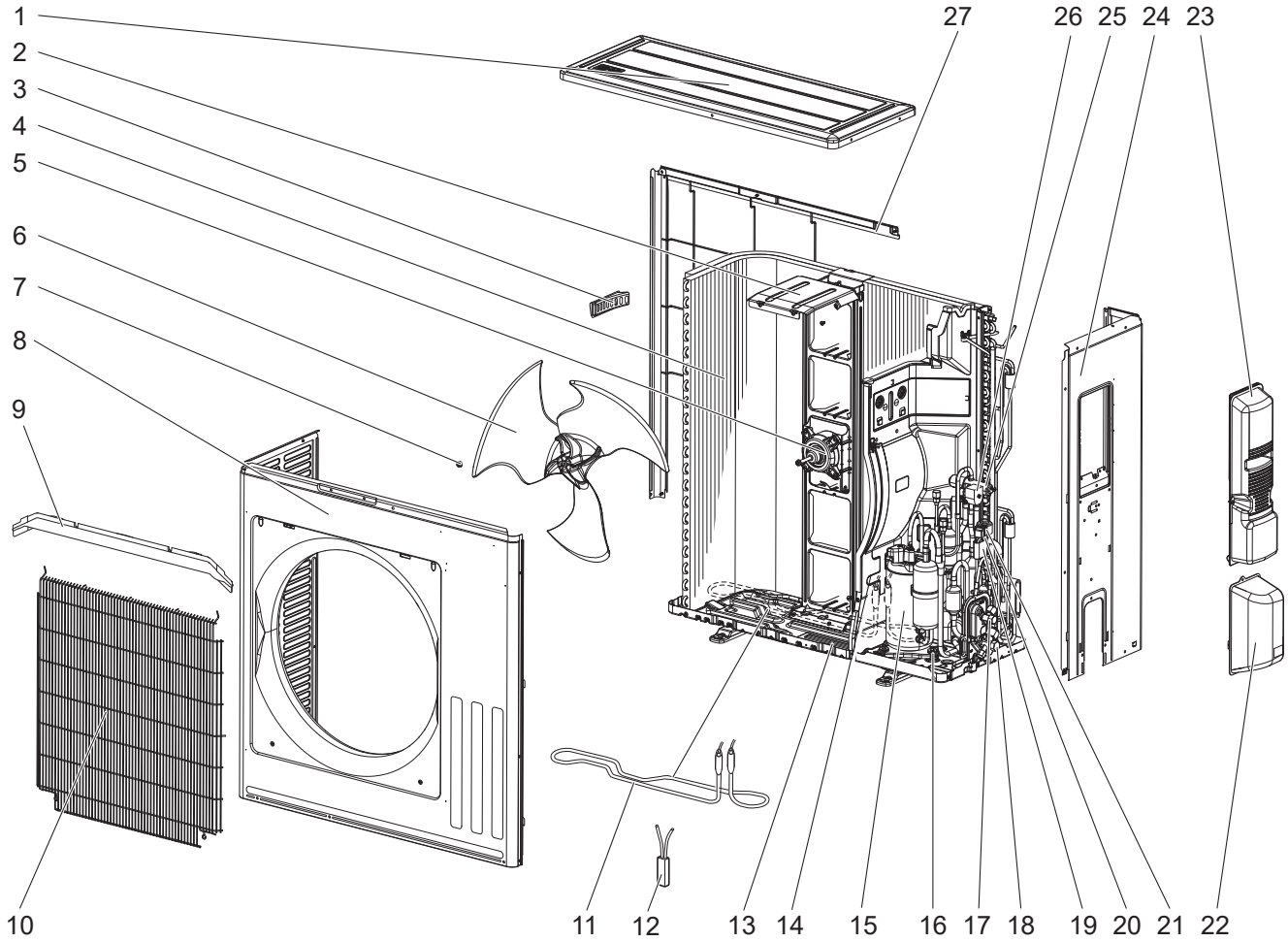


1-1. OUTDOOR UNIT STRUCTURAL PARTS, ELECTRICAL PARTS AND FUNCTIONAL PARTS

1. The part quantity below indicates the required number of pieces per unit.
2. The circled No. indicates that the part is not shown in the figure.

No.	Part No.	Part Name	MUZ-RW25VGHZ- [E1]	MUZ-RW25VGHZ- [SC1]	MUZ-RW35VGHZ- [E1]	MUZ-RW35VGHZ- [SC1]	Symbol in Wiring Diagram	Remarks
1	E22 Y86 297	TOP PANEL	1	1	1	1		
2	E22 75R 630	OUTDOOR HEAT EXCHANGER	1	1	1	1		
3	E22 Y86 301	OUTDOOR FAN MOTOR	1	1	1	1	MF	RC0J50-□□
4	E22 Y86 501	PROPELLER FAN	1	1	1	1		
5	E22 41G 232	CABINET	1	1	1	1		
6	E22 Y86 531	ICE GUARD	1	1	1	1		
7	E22 Y86 521	GRILLE (OUT)	1	1	1	1		
8	E22 Y96 290	BASE	1	1	1	1		
9	E22 75R 293	SEPARATOR	1	1	1	1		
10	E22 C34 506	COMPRESSOR RUBBER SET	3	3	3	3		3 RUBBERS/SET
11	E22 R83 900	COMPRESSOR	1	1			MC	SVB130FBBMT
11	E22 R86 900	COMPRESSOR			1	1	MC	SVB172FCKMT
12	E22 75R 661	STOP VALVE (GAS)	1	1	1	1		ø9.52
13	E22 75R 662	STOP VALVE (LIQUID)	1	1	1	1		ø6.35
14	E22 11L 640	EXPANSION VALVE	1	1	1	1		LEV body
15	E22 75R 645	EXPANSION VALVE ASSEMBLY	1	1	1	1		Includes LEV body and capillary tube
16	E22 29K 493	EXPANSION VALVE COIL	1	1	1	1	LEV	
17	E22 75R 490	R.V. COIL	1	1	1	1	21S4	
18	E22 75R 961	4-WAY VALVE	1	1				
18	E22 K53 961	4-WAY VALVE			1	1		
19	E22 Y86 650	VALVE COVER	1	1	1	1		
20	E22 Y86 245	SERVICE PANEL	1	1	1	1		
21	E22 Y86 233	BACK PANEL (OUT)	1	1	1	1		
22	E22 16N 381	COMPRESSOR PROTECTOR	1	1	1	1	26C	
23	E22 J52 309	AMBIENT TEMPERATURE THERMISTOR	1	1	1	1	RT65	
24	E22 C34 307	OUTDOOR HEAT EXCHANGER TEMPERATURE THERMISTOR	1	1	1	1	RT68	
25	E22 Y86 306	THERMISTOR SET	1	1	1	1	RT61, RT62	DEFROST, DISCHARGE combined type
26	E22 20A 337	REACTOR	1	1	1	1	L61	
27	E22 13L 374	TERMINAL BLOCK	1	1	1	1	TB1	5 P
28	E22 75R 451	INVERTER P.C. BOARD	1	1				Includes heat sink and RT64
28	E22 76R 451	INVERTER P.C. BOARD			1	1		Includes heat sink and RT64
29	E22 Y86 525	CONDENSER WIRE NET	1	1	1	1		
30	E22 Y86 515	MOTOR SUPPORT	1	1	1	1		
31	E22 42M 526	DEFROST HEATER	1	1	1	1	H	
32	E22 03B 381	HEATER PROTECTOR	1	1	1	1	26H	
33	E27 L05 508	PROPELLER FAN NUT	1	1	1	1		
34	E22 P72 936	CAPILLARY TUBE	1	1	1	1		ø4.0 × ø2.4 × 240

MUZ-RW50VGHZ
1-2. OUTDOOR UNIT STRUCTURAL PARTS

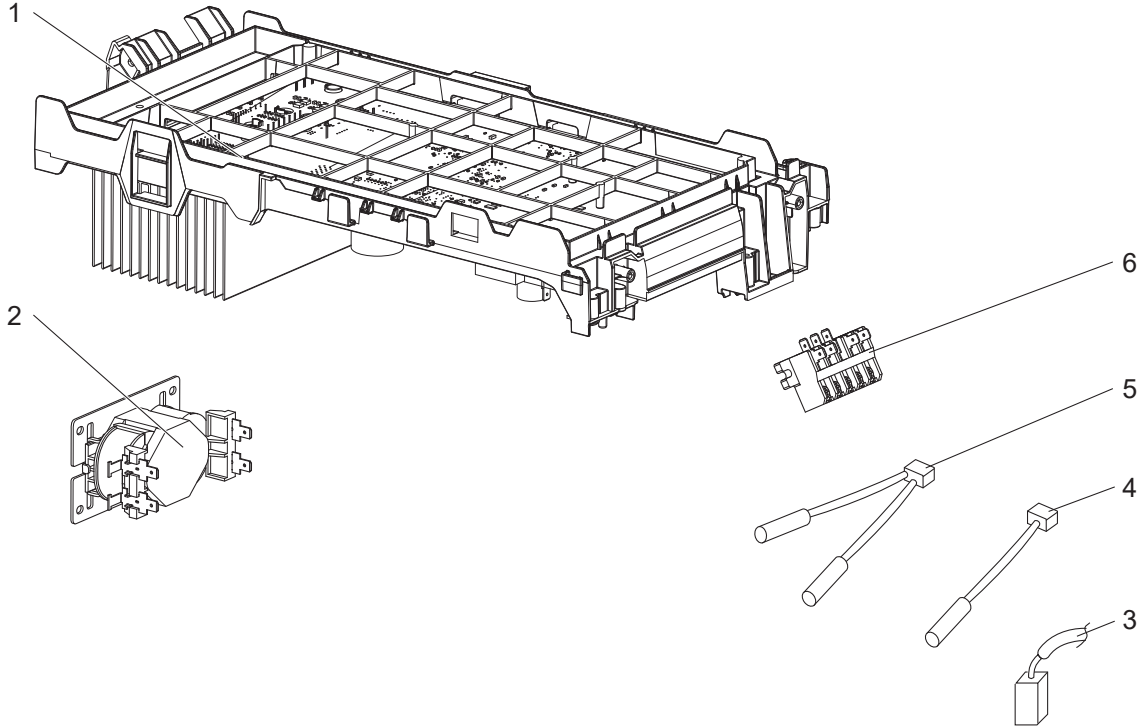


1-2. OUTDOOR UNIT STRUCTURAL PARTS

1. The part quantity below indicates the required number of pieces per unit.
2. The circled No. indicates that the part is not shown in the figure.

No.	Part No.	Part Name	MUZ-RW50VGHZ- ET	MUZ-RW50VGHZ- SC1	Symbol in Wiring Diagram	Remarks
1	E22 L87 297	TOP PANEL	1	1		
2	E22 59N 515	MOTOR SUPPORT	1	1		
3	E22 817 009	HANDLE	1	1		
4	E22 77R 630	OUTDOOR HEAT EXCHANGER	1	1		
5	E22 91F 301	OUTDOOR FAN MOTOR	1	1	MF	RC0J50-□□
6	E22 91F 501	PROPELLER FAN	1	1		
7	E27 L05 508	PROPELLER FAN NUT	1	1		
8	E22 91F 232	CABINET	1	1		
9	E22 33N 531	ICE GUARD	1	1		
10	E22 91F 521	GRILLE (OUT)	1	1		
11	E22 J52 526	DEFROST HEATER	1	1	H	Includes 26H
12	E22 J52 381	HEATER PROTECTOR	1	1	26H	
13	E22 57N 290	BASE	1	1		
14	E22 57N 293	SEPARATOR	1	1		
15	E22 55J 900	COMPRESSOR	1	1	MC	SVB220FBAM1T
16	E22 C34 506	COMPRESSOR RUBBER SET	3	3		3 RUBBERS/SET
17	E22 77R 662	STOP VALVE (LIQ)	1	1		ø6.35
18	E22 R84 661	STOP VALVE (GAS)	1	1		ø9.52
19	E22 77R 645	EXPANSION VALVE ASSEMBLY	1	1		Includes LEV body, capillary tube ø4.0 × ø2.4 × 100
20	E22 77R 640	EXPANSION VALVE	1	1		LEV body
21	E22 77R 493	EXPANSION VALVE COIL	1	1	LEV	
22	E22 F28 650	VALVE COVER	1	1		
23	E22 91F 245	SERVICE PANEL	1	1		
24	E22 77R 233	BACK PANEL (OUT)	1	1		
25	E22 75R 961	4-WAY VALVE	1	1		
26	E22 33N 490	R.V. COIL	1	1	21S4	
27	E22 L87 523	CONDENSER NET	1	1		
28	E27 Y91 936	CAPILLARY TUBE	1	1		ø4.0 × ø2.4 × 100

MUZ-RW50VGHZ
1-3. OUTDOOR UNIT ELECTRICAL PARTS



1-3. OUTDOOR UNIT ELECTRICAL PARTS

1. The part quantity below indicates the required number of pieces per unit.

No.	Part No.	Part Name	MUZ-RW50VGHZ- [ET]	MUZ-RW50VGHZ- [SC1]	Symbol in Wiring Diagram	Remarks
1	E22 77R 451	INVERTER P.C. BOARD	1	1		Includes heat sink and RT64
2	E22 R84 337	REACTOR	1	1	L	
3	E22 16N 381	COMPRESSOR PROTECTOR	1	1	26C	
4	E22 38F 309	AMBIENT TEMPERATURE THERMISTOR	1	1	RT65	
5	E22 F28 308	THERMISTOR SET	1	1	RT61, RT62, RT68	DEFROST THERMISTOR (RT61) DISCHARGE TEMPERATURE (RT62) OUTDOOR HEAT EXCHANGER TEMPERATURE (RT68) combined type
6	E22 T95 374	TERMINAL BLOCK	1	1	TB1	5 P

mitsubishi electric corporation

HEAD OFFICE: TOKYO BUILDING, 2-7-3, MARUNOUCHI, CHIYODA-KU, TOKYO 100-8310, JAPAN

© Copyright 2021 MITSUBISHI ELECTRIC CORPORATION
Published: Jul. 2021. No. OBB903
Made in Japan

Specifications are subject to change without notice.