

**mitsubishi
electric**

SPLIT-TYPE AIR CONDITIONERS

OUTDOOR UNIT

PARTS CATALOG

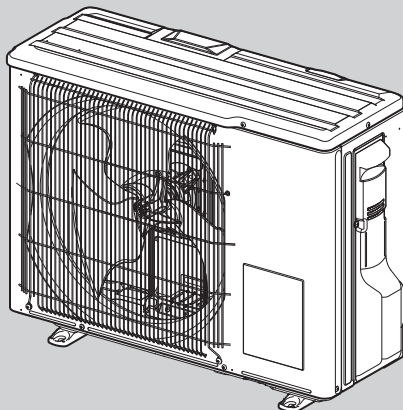


No. OBB938

Models

MUZ-AY15VG - **E1**, **ET1**

MUZ-AY20VG - **E1**, **ET1**



MUZ-AY15VG

CONTENTS

1. SERVICE PARTS LIST2

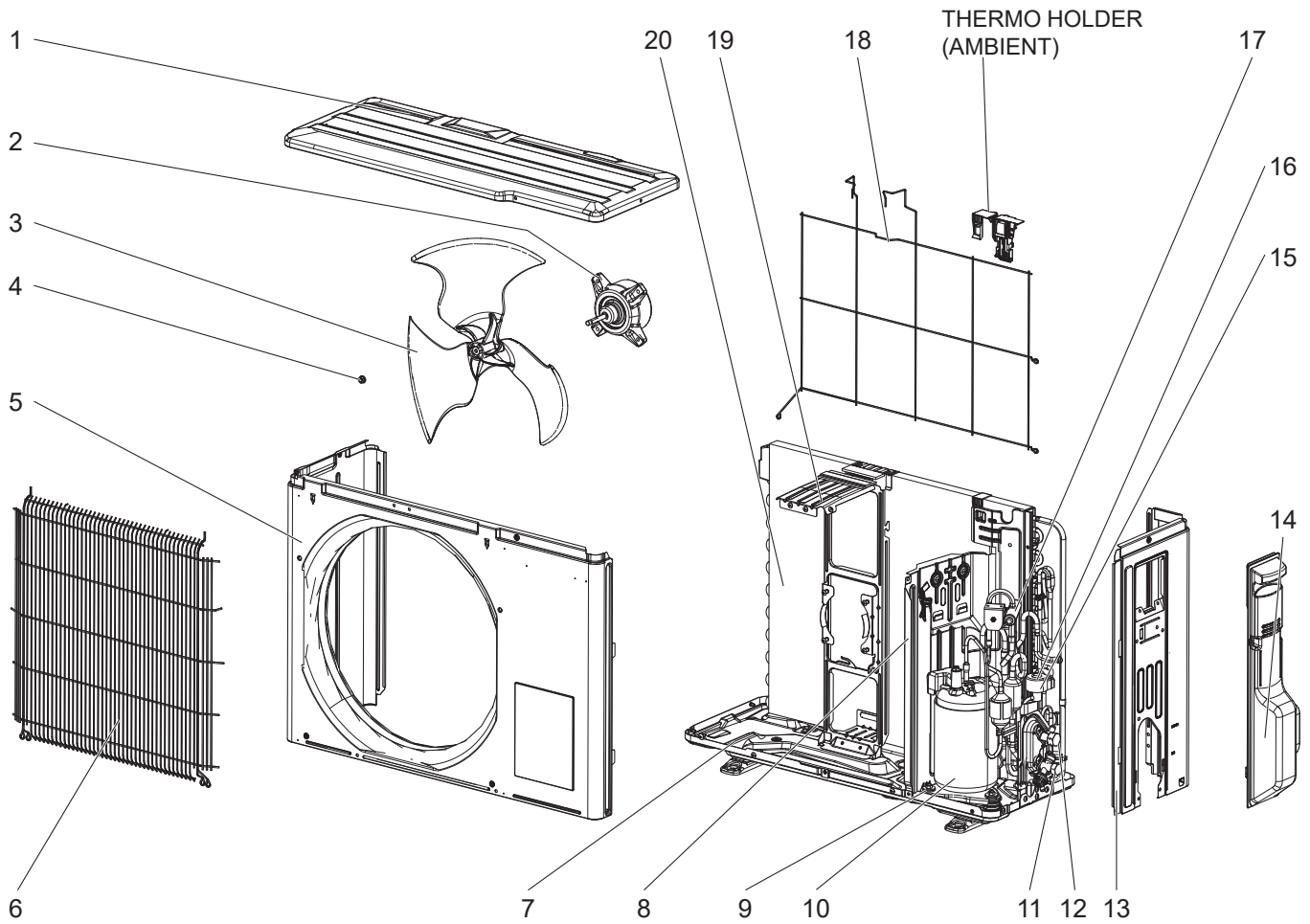
SERVICE MANUAL (OBH938)

1

SERVICE PARTS LIST

MUZ-AY15VG

1-1. OUTDOOR UNIT STRUCTURAL PARTS AND FUNCTIONAL PARTS



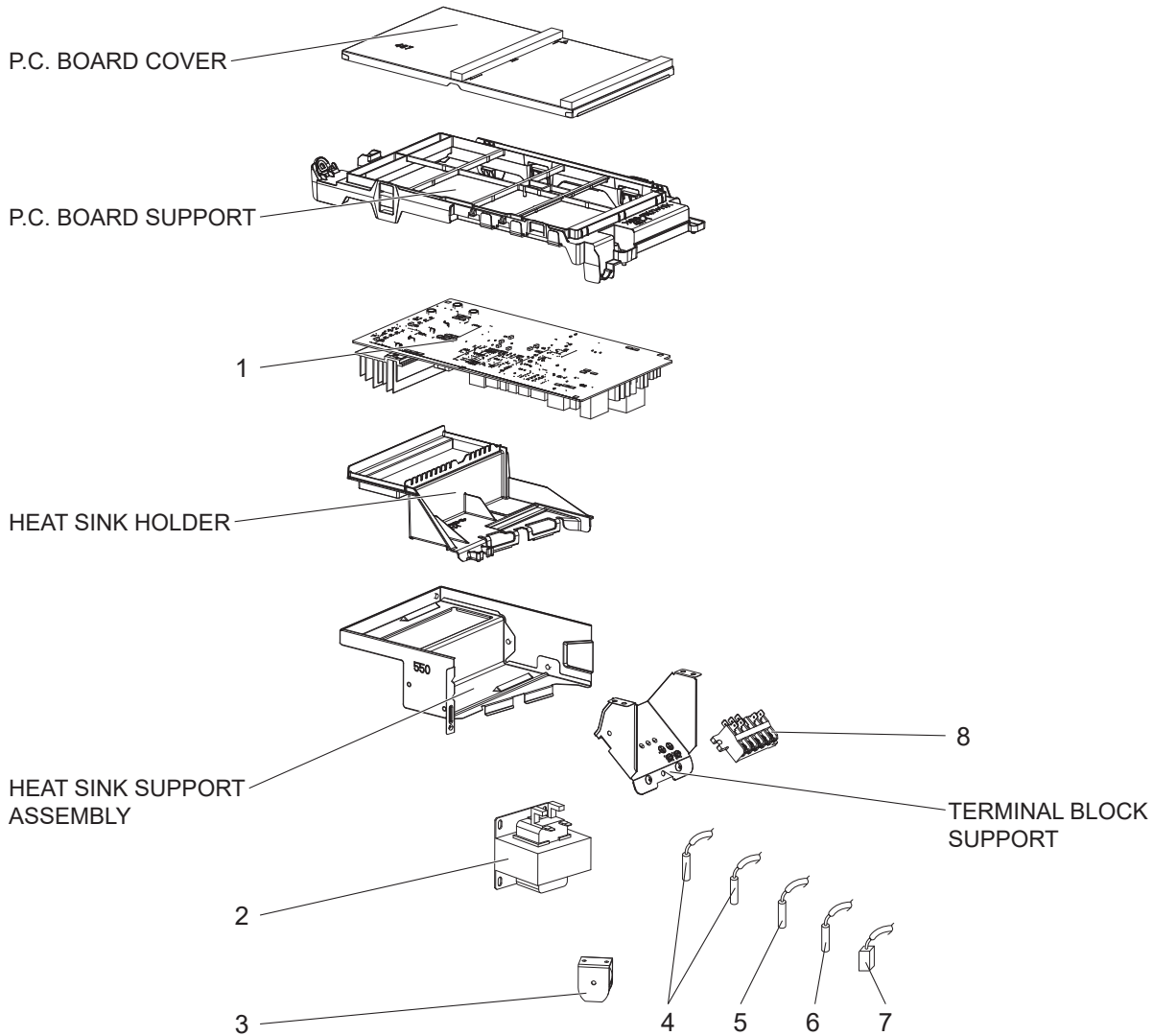
1-1. OUTDOOR UNIT STRUCTURAL PARTS AND FUNCTIONAL PARTS

1. The part quantity below indicates the required number of pieces per unit.
2. The circled No. indicates that the part is not shown in the figure.

No.	Part No.	Part Name	MUZ-AY15VG	MUZ-AY15VG	Symbol in Wiring Diagram	Remarks
			(ET)	(ET)		
1	E22 J98 297	TOP PANEL	1	1		
2	E22 95B 301	OUTDOOR FAN MOTOR	1	1	MF	RC0J20-□□
3	E22 95B 501	PROPELLER FAN	1	1		
4	E27 L05 508	PROPELLER FAN NUT	1	1		
5	E22 26K 232	CABINET	1	1		
6	E22 95B 521	GRILLE (OUT)	1	1		
7	E22 26K 290	BASE	1	1		
8	E22 26K 293	SEPARATOR	1	1		
9	E22 065 506	COMPRESSOR RUBBER SET	3	3		3 PCS/set
10	E22 86F 900	COMPRESSOR	1	1	MC	KVB059FTMMC
11	E22 26K 661	STOP VALVE (GAS)	1	1		ø9.52, pipe attached
12	E22 26K 662	STOP VALVE (LIQ)	1	1		ø6.35, pipe attached
13	E22 J98 233	BACK PANEL (OUT)	1	1		
14	E22 J98 245	SERVICE PANEL	1	1		
15	E22 26K 493	EXPANSION VALVE COIL	1	1	LEV	
16	E22 26K 645	EXPANSION VALVE ASSEMBLY	1	1		Includes LEV body, Capillary tubes
17	E22 39G 961	4-WAY VALVE	1	1		
18	E22 01C 523	CONDENSER WIRE NET	1	1		
19	E22 96B 515	MOTOR SUPPORT	1	1		
20	E22 26K 630	OUTDOOR HEAT EXCHANGER	1	1		
(21)	E22 26K 640	EXPANSION VALVE	1	1		LEV body
(22)	E22 95B 936	CAPILLARY TUBE	1	1		ø3.0×ø2.0×260, Close to Expansion valve
(23)	E22 14V 936	CAPILLARY TUBE	1	1		ø4.0×ø2.4×100, Close to Expansion valve

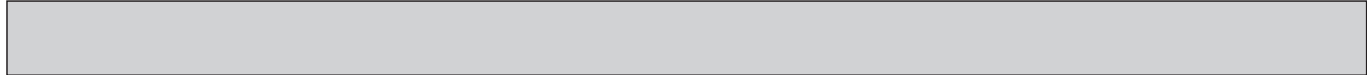
MUZ-AY15VG

1-2. OUTDOOR UNIT ELECTRICAL PARTS

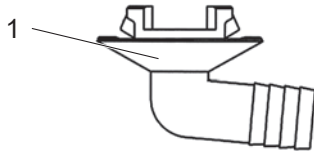


1. The part quantity below indicates the required number of pieces per unit.

No.	Part No.	Part Name			Symbol in Wiring Diagram	Remarks
			MUZ-AY15VG - [LE1]	MUZ-AY15VG - [ET1]		
1	E22 0F7 451	INVERTER P.C. BOARD	1	1		Includes HEAT SINK and RT64
2	E22 26N 337	REACTOR	1	1	L61	
3	E22 39G 490	R.V. COIL	1	1	21S4	
4	E22 26K 306	THERMISTOR SET	1	1	RT61, RT62	Combined type
5	E22 0F7 308	OUTDOOR HEAT EXCHANGER TEMPERATURE THERMISTOR	1	1	RT68	
6	E22 T39 309	AMBIENT TEMPERATURE THERMISTOR	1	1	RT65	Sensor
7	E22 42X 381	COMPRESSOR PROTECTOR	1	1	26C	
8	E22 0F7 374	TERMINAL BLOCK	1	1	TB1	5P (S1, S2, S3, L, N)



MUZ-AY15VG
1-3. DRAIN SOCKET

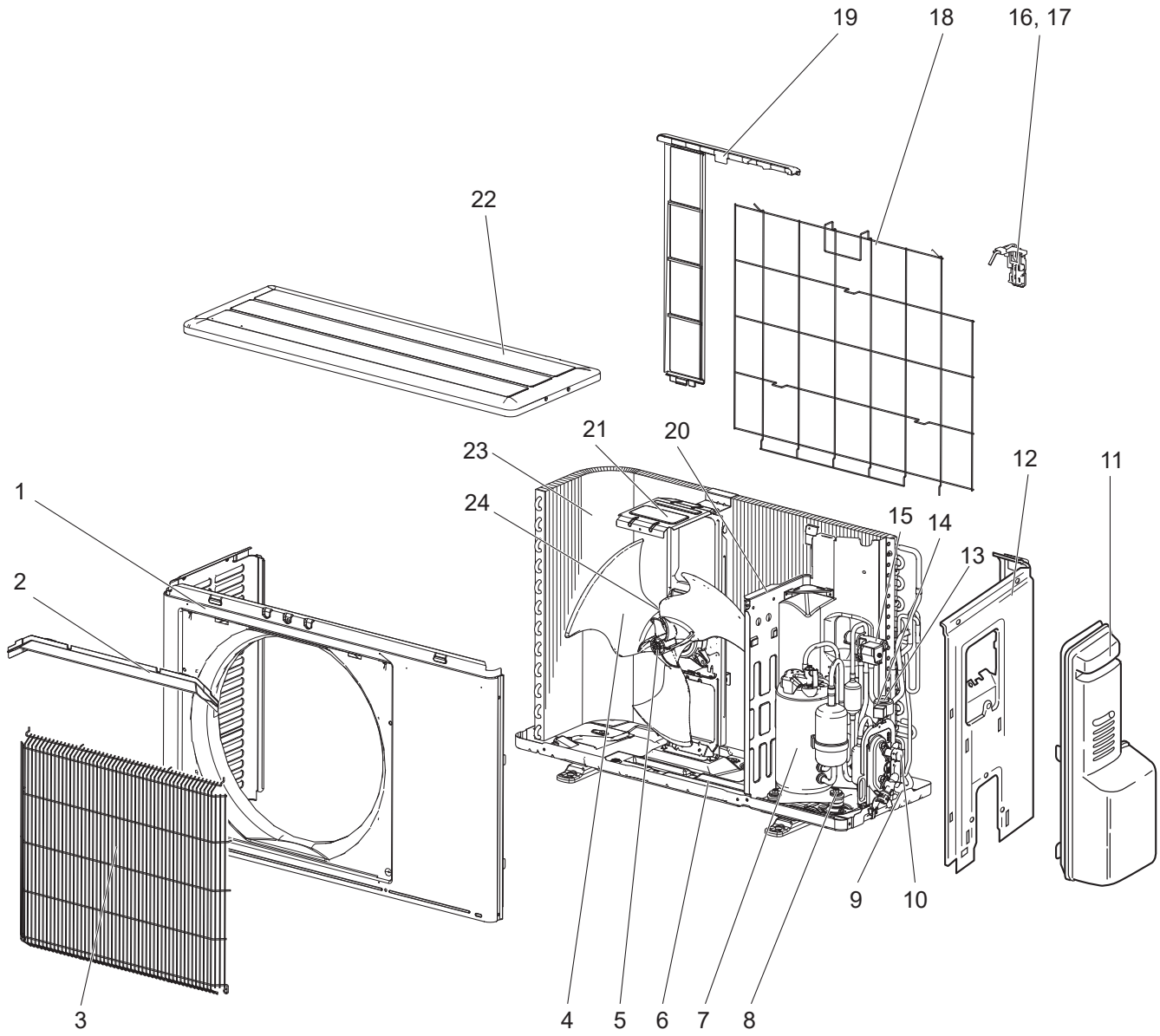


1. The part quantity below indicates the required number of pieces per unit.

No.	Part No.	Part Name	MUZ-AY15VG-[ET]	MUZ-AY15VG-[ET]	Symbol in Wiring Diagram	Remarks
1	E22 817 704	DRAIN SOCKET	1	1		

MUZ-AY20VG

1-4. OUTDOOR UNIT STRUCTURAL PARTS AND FUNCTIONAL PARTS



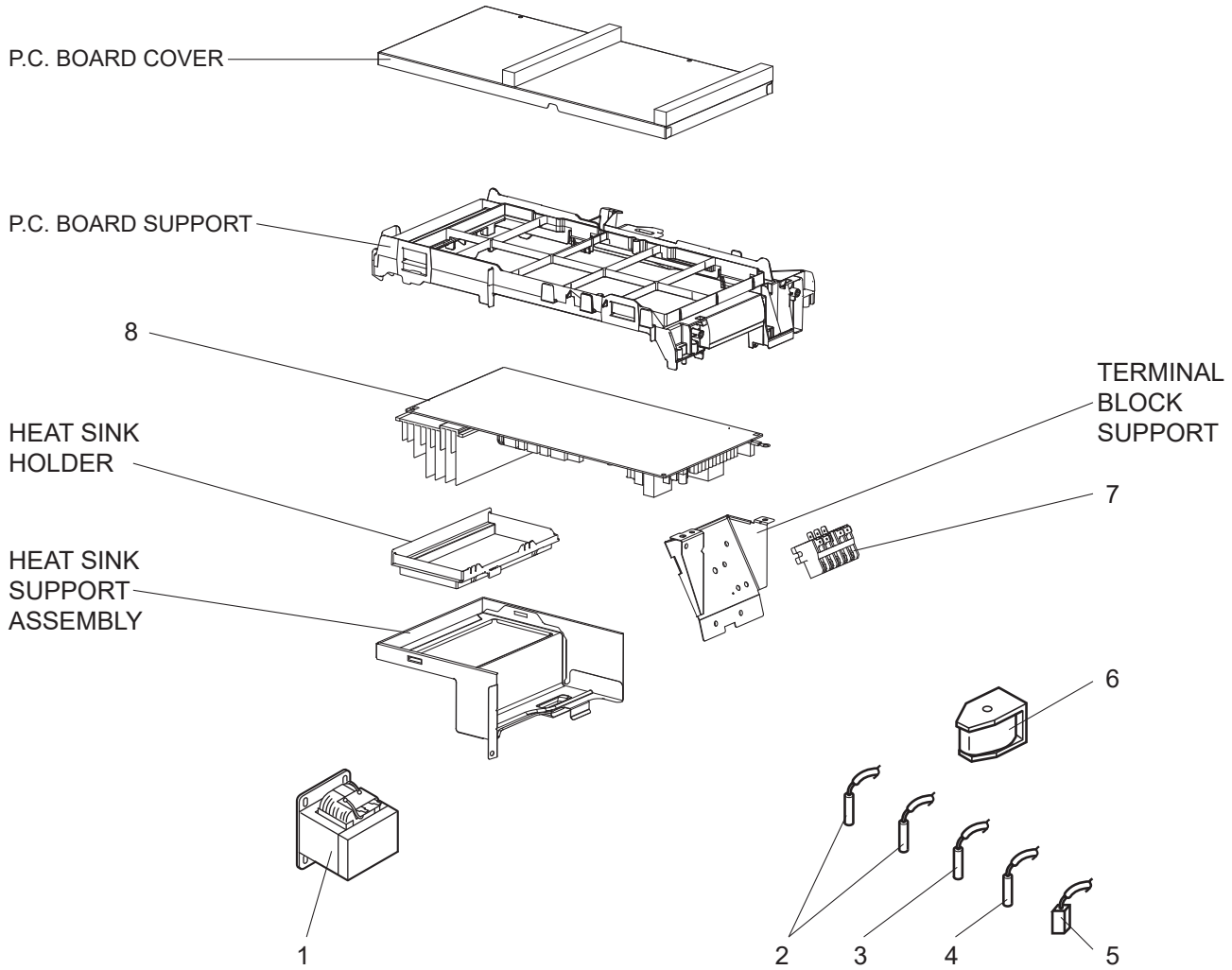
1-4. OUTDOOR UNIT STRUCTURAL PARTS AND FUNCTIONAL PARTS

1. The part quantity below indicates the required number of pieces per unit.
2. The circled No. indicates that the part is not shown in the figure.

No.	Part No.	Part Name			Symbol in Wiring Diagram	Remarks
			MUZ-AY20VG-ET	MUZ-AY20VG-ET1		
1	E22 J63 232	CABINET	1	1		
2	E22 J63 531	ICE GUARD	1	1		
3	E22 Y84 521	GRILLE (OUT)	1	1		
4	E22 95B 501	PROPELLER FAN	1	1		
5	E27 L05 508	PROPELLER FAN NUT	1	1		
6	E22 44P 290	BASE ASSEMBLY	1	1		
7	E22 0F9 900	COMPRESSOR	1	1	MC	KVB073FYTMC
8	E22 065 506	COMPRESSOR RUBBER SET	3	3		3 RUBBERS/SET
9	E22 T66 661	STOP VALVE(GAS)	1	1		ø9.52 Includes pipes
10	E22 43J 662	STOP VALVE(LIQUID)	1	1		ø6.35 Includes pipes
11	E22 L59 245	SERVICE PANEL ASSEMBLY	1	1		
12	E22 G11 233	BACK PANEL ASSEMBLY (OUT)	1	1		
13	E22 44P 645	EXPANSION VALVE ASSEMBLY	1	1		Includes LEV body and capillary tube ø3.0×ø2.0×150, ø3.0×ø2.0×100
14	E22 29K 493	EXPANSION VALVE COIL	1	1	LEV	
15	E22 R81 961	4-WAY VALVE	1	1		
16	E22 928 079	THERMO HOLDER (AMBIENT)	1	1		
17	E27 M71 078	THERMO HOLDER COVER	1	1		
18	E27 M71 525	CONDENSER WIRE NET ASSEMBLY	1	1		
19	E22 928 523	CONDENSER NET	1	1		
20	E22 G10 293	SEPARATOR	1	1		
21	E22 97B 515	MOTOR SUPPORT	1	1		
22	E22 L85 297	TOP PANEL	1	1		
23	E27 M71 630	OUTDOOR HEAT EXCHANGER	1	1		
24	E22 0F9 301	OUTDOOR FAN MOTOR	1	1	MF	RC0J50-□□
②5	E22 11L 640	EXPANSION VALVE	1	1		LEV body

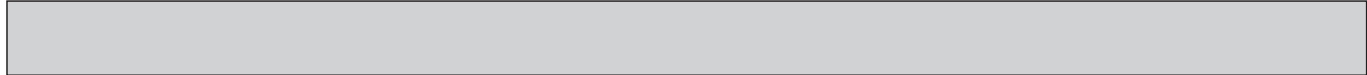
MUZ-AY20VG

1-5. OUTDOOR UNIT ELECTRICAL PARTS

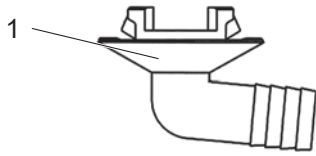


1. The part quantity below indicates the required number of pieces per unit.

No.	Part No.	Part Name			Symbol in Wiring Diagram	Remarks
			MUZ-AY20VG-ET	MUZ-AY20VG-ET1		
1	E22 26N 337	REACTOR	1	1	L61	
2	E22 0F9 306	THERMISTOR SET	1	1	RT61, RT62	DEFROST, DISCHARGE TEMPERATURE, combined type
3	E22 927 308	AMBIENT TEMPERATURE THERMISTOR	1	1	RT65	
4	E22 0F7 308	OUTDOOR HEAT EXCHANGER TEMPERATURE THERMISTOR	1	1	RT68	
5	E22 41X 381	COMPRESSOR PROTECTOR	1	1	26C	
6	E22 J47 490	R.V. COIL ASSEMBLY	1	1	21S4	
7	E22 0F9 374	TERMINAL BLOCK	1	1	TB1	5P (S1, S2, S3, L, N)
8	E22 0F9 451	INVERTER P.C. BOARD ASSEMBLY	1	1		Includes HEAT SINK and RT64



MUZ-AY20VG
1-6. DRAIN SOCKET



1. The part quantity below indicates the required number of pieces per unit.

No.	Part No.	Part Name	MUZ-AY20VG-[ET]	MUZ-AY20VG-[ET]	Symbol in Wiring Diagram	Remarks
1	E22 838 704	DRAIN SOCKET	1	1		

mitsubishi electric corporation

HEAD OFFICE: TOKYO BUILDING, 2-7-3, MARUNOUCHI, CHIYODA-KU, TOKYO 100-8310, JAPAN

© Copyright 2023 MITSUBISHI ELECTRIC CORPORATION
Published: Aug. 2023. No. OBB938
Made in Japan

Specifications are subject to change without notice.