

OUTDOOR UNIT

PARTS CATALOG

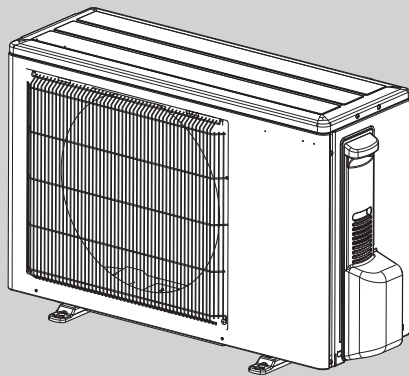


**No. OBB817
REVISED EDITION-B**

Models

MUY-TP35VF - **E1**, **ET1**, **ER1**, **E2**

MUY-TP50VF - **E1**, **ET1**, **ER1**, **E2**



CONTENTS

1. SERVICE PARTS LIST 2

SERVICE MANUAL (OBH817)

Revision A:

• Some descriptions have been modified.

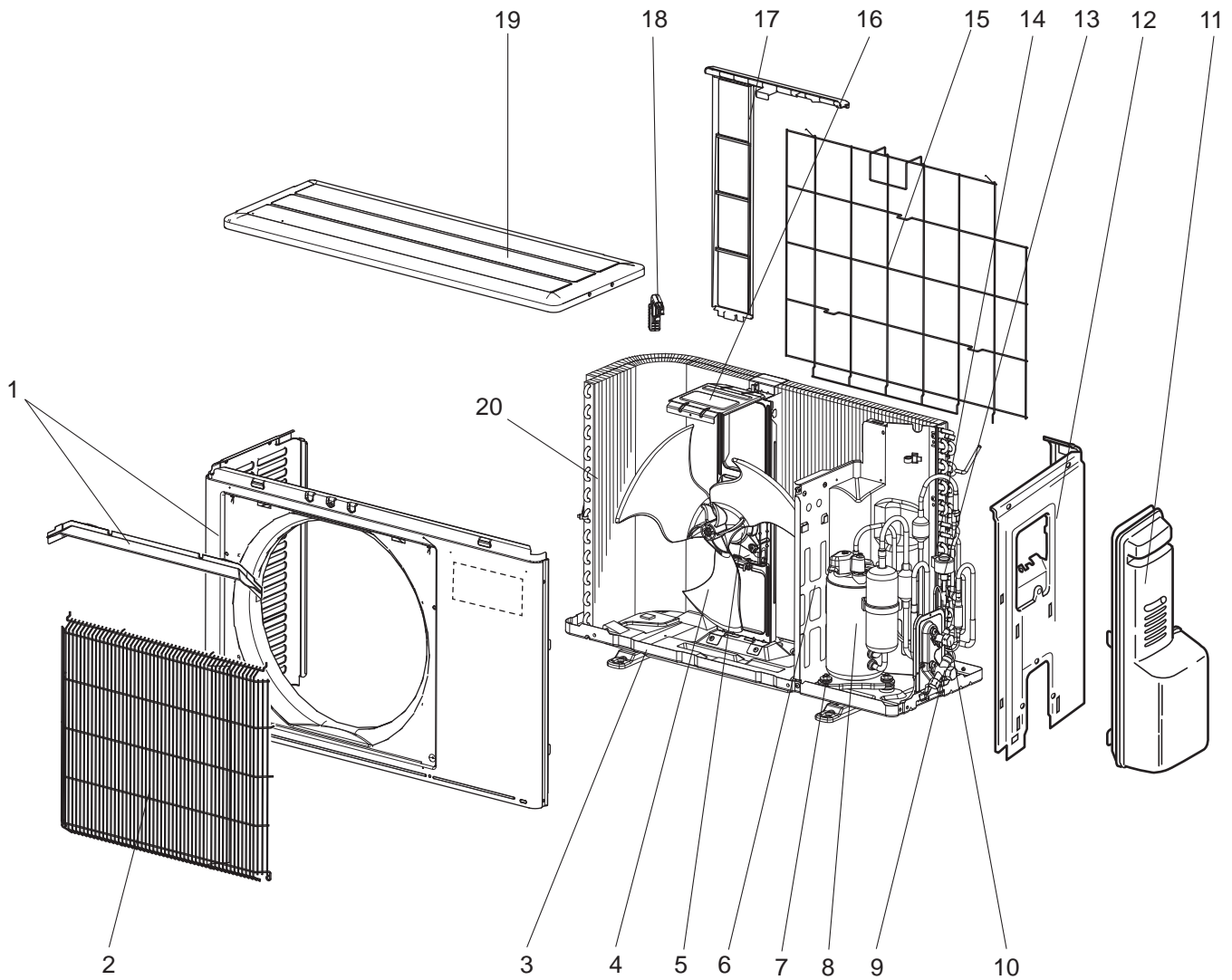
Revision B:

• MUY-TP35/50VF - [E1], [E2] have been added.

1 SERVICE PARTS LIST

MUY-TP35VF - [E1], [ET1] MUY-TP50VF - [E1], [ET1]





1-1. OUTDOOR UNIT STRUCTURAL PARTS AND FUNCTIONAL PARTS



1-1. OUTDOOR UNIT STRUCTURAL PARTS AND FUNCTIONAL PARTS

1. The part quantity below indicates the required number of pieces per unit.

2. The circled No. indicates that the part is not shown in the figure.

No.	Part No.	Part Name	MUY-TP35VF - 	MUY-TP35VF - 	MUY-TP50VF - 	MUY-TP50VF - 	Symbol in Wiring Diagram	Remarks
1	E22 J63 232	CABINET	1	1	1	1		Includes ice guard
2	E22 Y84 521	GRILLE OUT	1	1	1	1		
3	E22 44P 290	BASE ASSEMBLY	1	1	1	1		
4	E22 95B 501	PROPELLER FAN	1	1	1	1		
5	E22 97B 301	OUTDOOR FAN MOTOR	1	1	1	1	MF	RC0J50-□□
6	E22 M11 293	SEPARATOR	1	1	1	1		
7	E22 C34 506	COMPRESSOR RUBBER SET	3	3	3	3		3 RUBBERS/SET
8	E22 R83 900	COMPRESSOR	1	1	1	1	MC	SVB130FBBMT
9	E22 14A 661	STOP VALVE ASSEMBLY (GAS)	1	1	1	1		ø9.52
10	E22 14F 662	STOP VALVE ASSEMBLY (LIQUID)	1	1	1	1		ø6.35
11	E22 M09 245	SERVICE PANEL ASSEMBLY	1	1	1	1		
12	E22 G15 233	BACK PANEL ASSEMBLY	1	1	1	1		Not including SPEC NAME PLATE
13	E22 Y84 640	EXPANSION VALVE ASSEMBLY	1	1	1	1		
14	E22 G10 493	EXPANSION VALVE COIL	1	1	1	1	LEV	
15	E22 930 525	CONDENSER WIRE NET	1	1	1	1		
16	E22 14F 515	MOTOR SUPPORT	1	1	1	1		
17	E22 930 523	CONDENSER NET	1	1	1	1		
18	E22 M09 079	THERMO HOLDER (AMBIENT)	1	1	1	1		SG02D694H02
19	E22 M09 297	TOP PANEL ASSEMBLY	1	1	1	1		
20	E22 14F 630	OUTDOOR HEAT EXCHANGER	1	1	1	1		
⑳	E22 67X 936	CAPILLARY TUBE	1	1	1	1		ø4.0xø2.4x240
㉑	E22 527 936	CAPILLARY TUBE	1	1	1	1		ø4.0xø2.4x100

MUY-TP35VF - [E1], [ET1] MUY-TP50VF - [E1], [ET1]
1-2. OUTDOOR UNIT ELECTRICAL PARTS

P.C. BOARD COVER

P.C. BOARD SUPPORT

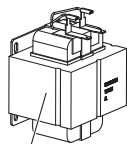
6

HEAT SINK HOLDER ASSEMBLY

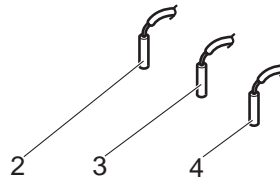
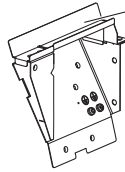
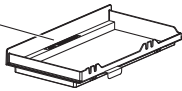
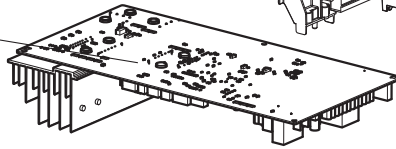
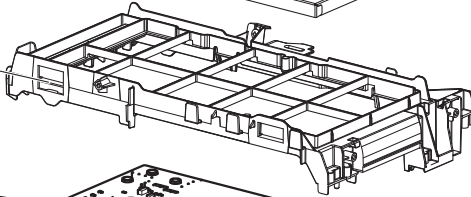
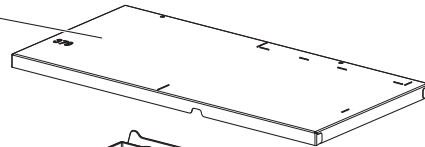
TERMINAL BLOCK SUPPORT

HEAT SINK SUPPORT ASSEMBLY

5



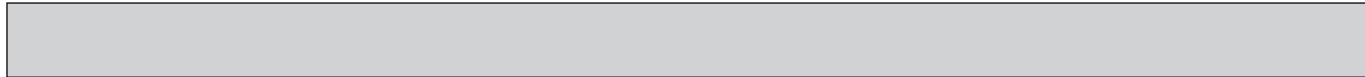
1



2

3

4



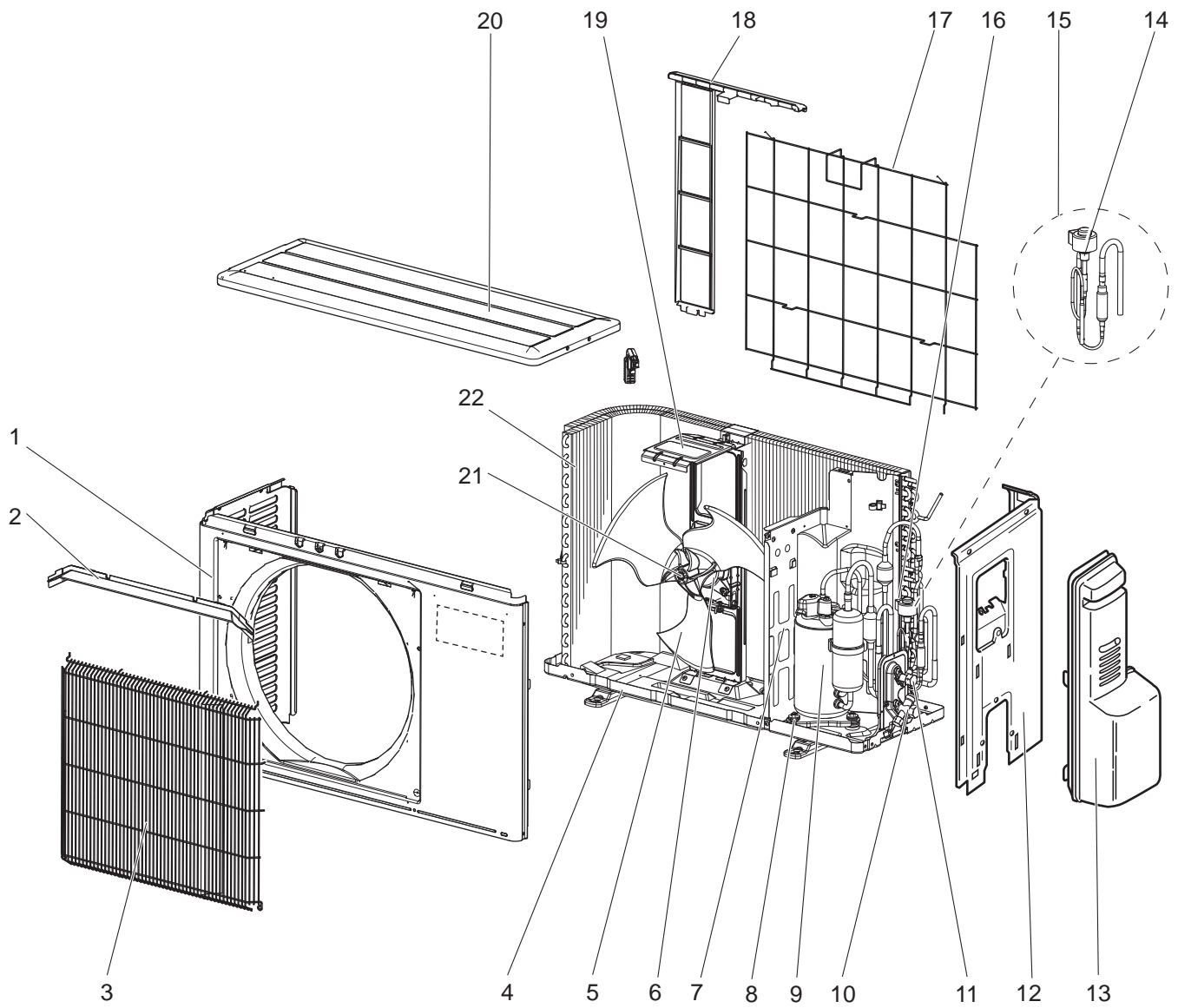
1-2. OUTDOOR UNIT ELECTRICAL PARTS

1. The part quantity below indicates the required number of pieces per unit.

No.	Part No.	Part Name	MUY-TP35VF - [E1]	MUY-TP35VF - [ET]	MUY-TP50VF - [E1]	MUY-TP50VF - [ET]	Symbol in Wiring Diagram	Remarks
1	E22 20A 337	REACTOR	1	1	1	1	L61	
2	E22 E99 306	THERMISTOR SET	1	1	1	1	RT62	DISCHARGE
3	E22 D65 308	AMBIENT TEMPERATURE THERMISTOR	1	1	1	1	RT65	
4	E22 14F 307	OUTDOOR HEAT EXCHANGER TEMPERATURE THERMISTOR	1	1	1	1	RT68	
5	E22 N87 374	TERMINAL BLOCK	1	1	1	1	TB1	5P (S1, S2, S3)
6	E22 88P 451	INVERTER P.C. BOARD	1	1				
6	E22 89P 451	INVERTER P.C. BOARD			1	1		

MUY-TP35VF - ER1, E2 MUY-TP50VF - ER1, E2

1-3. OUTDOOR UNIT STRUCTURAL PARTS AND FUNCTIONAL PARTS



1-3. OUTDOOR UNIT STRUCTURAL PARTS AND FUNCTIONAL PARTS

1. The part quantity below indicates the required number of pieces per unit.
2. The circled No. indicates that the part is not shown in the figure.

No.	Part No.	Part Name	MUY-TP35VF - ERT	MUY-TP35VF - E2	MUY-TP50VF - ERT	MUY-TP50VF - E2	Symbol in Wiring Diagram	Remarks
1	E22 J63 232	CABINET	1	1	1	1		
2	E22 J63 531	ICE GUARD	1	1	1	1		
3	E22 Y84 521	GRILLE OUT	1	1	1	1		
4	E22 44P 290	BASE ASSEMBLY	1	1	1	1		
5	E22 95B 501	PROPELLER FAN	1	1	1	1		
6	E22 97B 301	OUTDOOR FAN MOTOR	1	1	1	1	MF	RC0J50-□□
7	E22 M11 293	SEPARATOR	1	1	1	1		
8	E22 C34 506	COMPRESSOR RUBBER SET	3	3	3	3		3 RUBBERS/SET
9	E22 46W 900	COMPRESSOR	1	1	1	1	MC	SVB130FBBMT
10	E22 14A 661	STOP VALVE ASSEMBLY (GAS)	1	1	1	1		ø9.52
11	E22 14F 662	STOP VALVE ASSEMBLY (LIQUID)	1	1	1	1		ø6.35
12	E22 G15 233	BACK PANEL ASSEMBLY	1	1	1	1		Not including SPEC NAME PLATE
13	E22 M09 245	SERVICE PANEL ASSEMBLY	1	1	1	1		
14	E22 Y84 640	EXPANSION VALVE	1	1	1	1		LEV body
15	E22 67X 645	EXPANSION VALVE ASSEMBLY	1	1	1	1		Includes LEV body, capillary tubes (ø4.0xø2.4x100, ø4.0xø2.4x240)
16	E22 G10 493	EXPANSION VALVE COIL	1	1	1	1	LEV	
17	E22 930 525	CONDENSER WIRE NET	1	1	1	1		
18	E22 930 523	CONDENSER NET	1	1	1	1		
19	E22 14F 515	MOTOR SUPPORT	1	1	1	1		
20	E22 M09 297	TOP PANEL ASSEMBLY	1	1	1	1		
21	E27 L05 508	PROPELLER FAN NUT	1	1	1	1		
22	E22 14F 630	OUTDOOR HEAT EXCHANGER	1	1	1	1		
⑳	E22 67X 936	CAPILLARY TUBE	1	1	1	1		ø4.0xø2.4x240
㉑	E22 527 936	CAPILLARY TUBE	1	1	1	1		ø4.0xø2.4x100

MUY-TP35VF - [ER1, E2] MUY-TP50VF - [ER1, E2]
1-4. OUTDOOR UNIT ELECTRICAL PARTS

P.C. BOARD
COVER

P.C. BOARD
SUPPORT

7

HEAT SINK
HOLDER
ASSEMBLY

TERMINAL
BLOCK
SUPPORT

HEAT SINK
SUPPORT
ASSEMBLY

6

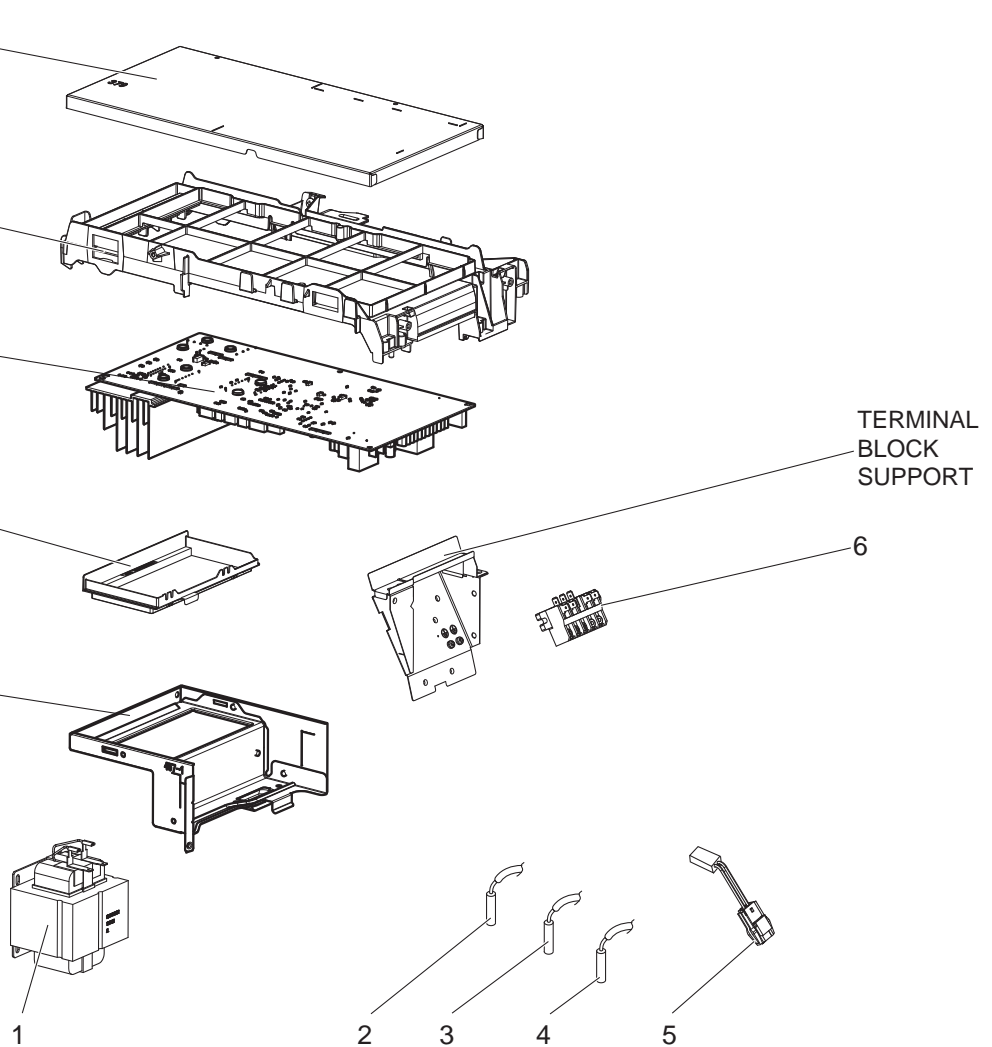
1

2

3

4

5



1-4. OUTDOOR UNIT ELECTRICAL PARTS

1. The part quantity below indicates the required number of pieces per unit.

No.	Part No.	Part Name	MUY-TP35VF - [ERT]	MUY-TP35VF - [E2]	MUY-TP50VF - [ERT]	MUY-TP50VF - [E2]	Symbol in Wiring Diagram	Remarks
1	E22 20A 337	REACTOR	1	1	1	1	L61	
2	E22 E99 306	DISCHARGE TEMPERATURE THERMISTOR	1	1	1	1	RT62	
3	E22 D65 308	AMBIENT TEMPERATURE THERMISTOR	1	1	1	1	RT65	
4	E22 14F 307	OUTDOOR HEAT EXCHANGER TEMPERATURE THERMISTOR	1	1	1	1	RT68	
5	E22 41X 381	COMPRESSOR PROTECTOR	1	1	1	1	26C	
6	E22 67X 374	TERMINAL BLOCK	1	1	1	1	TB1	5P (S1, S2, S3)
7	E22 67X 451	INVERTER P.C. BOARD	1	1				Includes HEAT SINK and RT64
7	E22 68X 451	INVERTER P.C. BOARD			1	1		Includes HEAT SINK and RT64

mitsubishi electric corporation

HEAD OFFICE: TOKYO BUILDING, 2-7-3, MARUNOUCHI, CHIYODA-KU, TOKYO 100-8310, JAPAN

© Copyright 2018 MITSUBISHI ELECTRIC CORPORATION

Issued: Sep. 2022. No. OBB817 REVISED EDITION-B

Issued: Dec. 2019. No. OBB817 REVISED EDITION-A

Published: Oct. 2018. No. OBB817

Made in Japan

Specifications are subject to change without notice.