

SPLIT-TYPE AIR CONDITIONERS

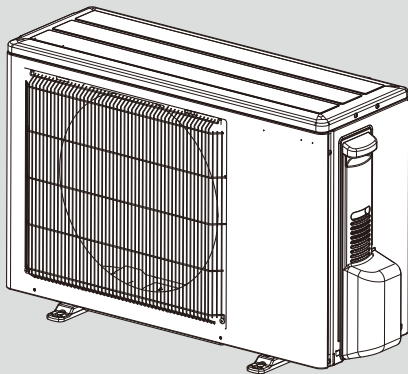
OUTDOOR UNIT PARTS CATALOG



No. OBB895

Models

- MUFZ-KW25VGHZ - E1
- MUFZ-KW35VGHZ - E1
- MUFZ-KW50VGHZ - E1
- MUFZ-KW60VGHZ - E1



MUFZ-KW25VGHZ
MUFZ-KW35VGHZ

CONTENTS

- 1. SERVICE PARTS LIST 2

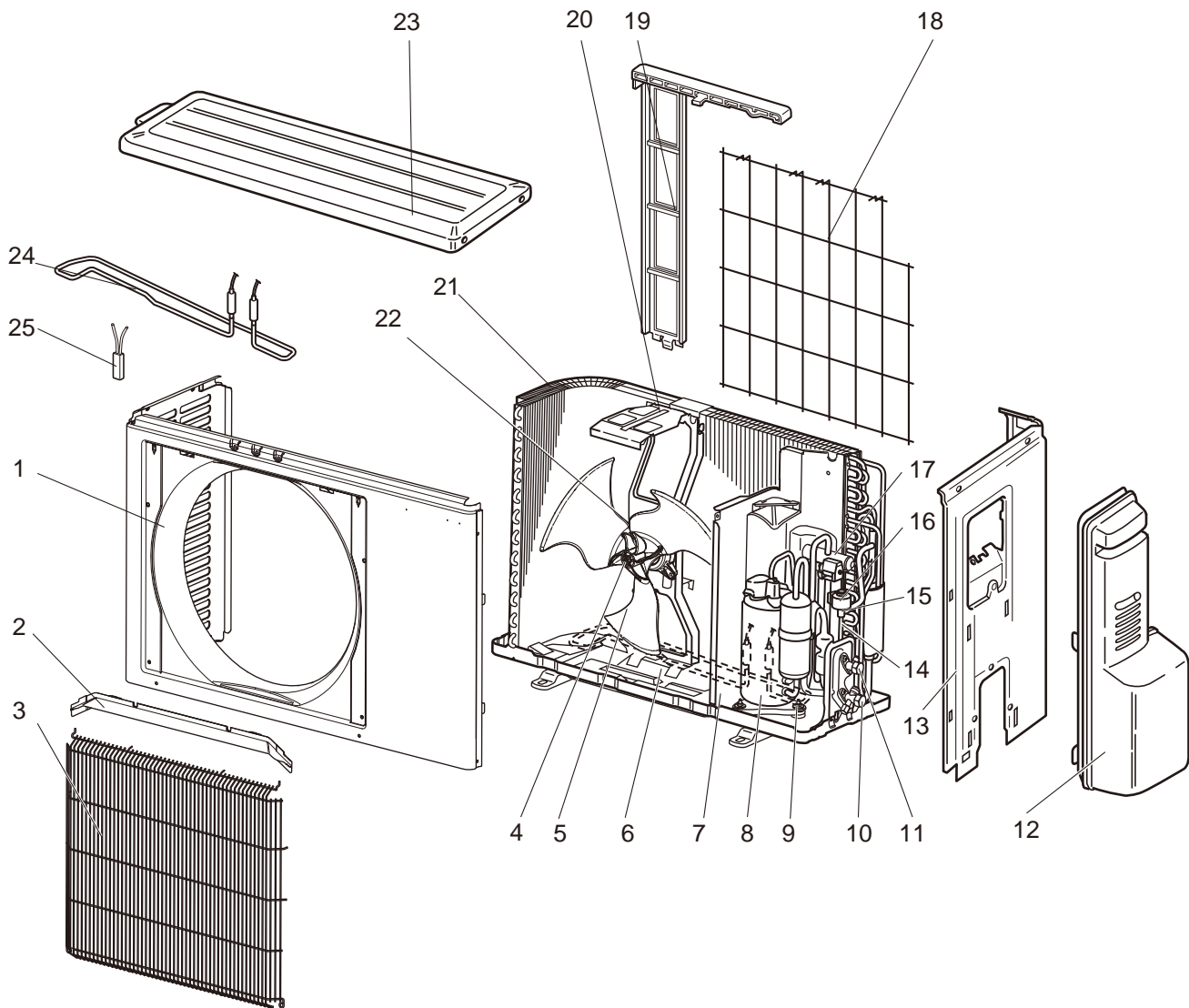
SERVICE MANUAL (OBH895)

1

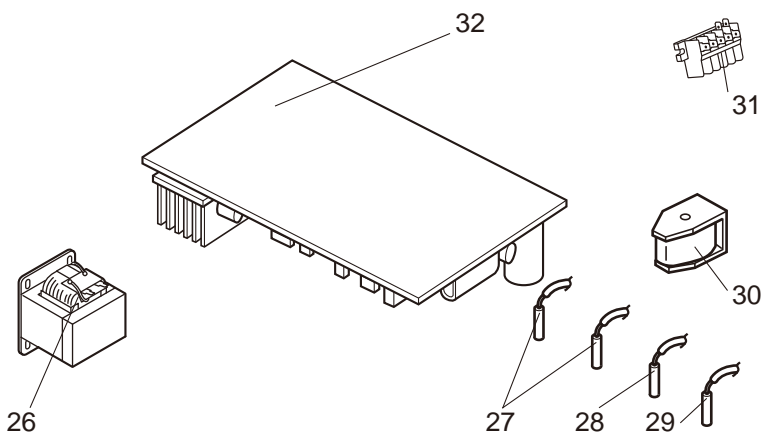
SERVICE PARTS LIST

MUFZ-KW25VGHZ MUFZ-KW35VGHZ

1-1. OUTDOOR UNIT STRUCTURAL PARTS AND FUNCTIONAL PARTS



1-2. OUTDOOR UNIT ELECTRICAL PARTS



1-1. OUTDOOR UNIT STRUCTURAL PARTS AND FUNCTIONAL PARTS

1. The part quantity below indicates the required number of pieces per unit.

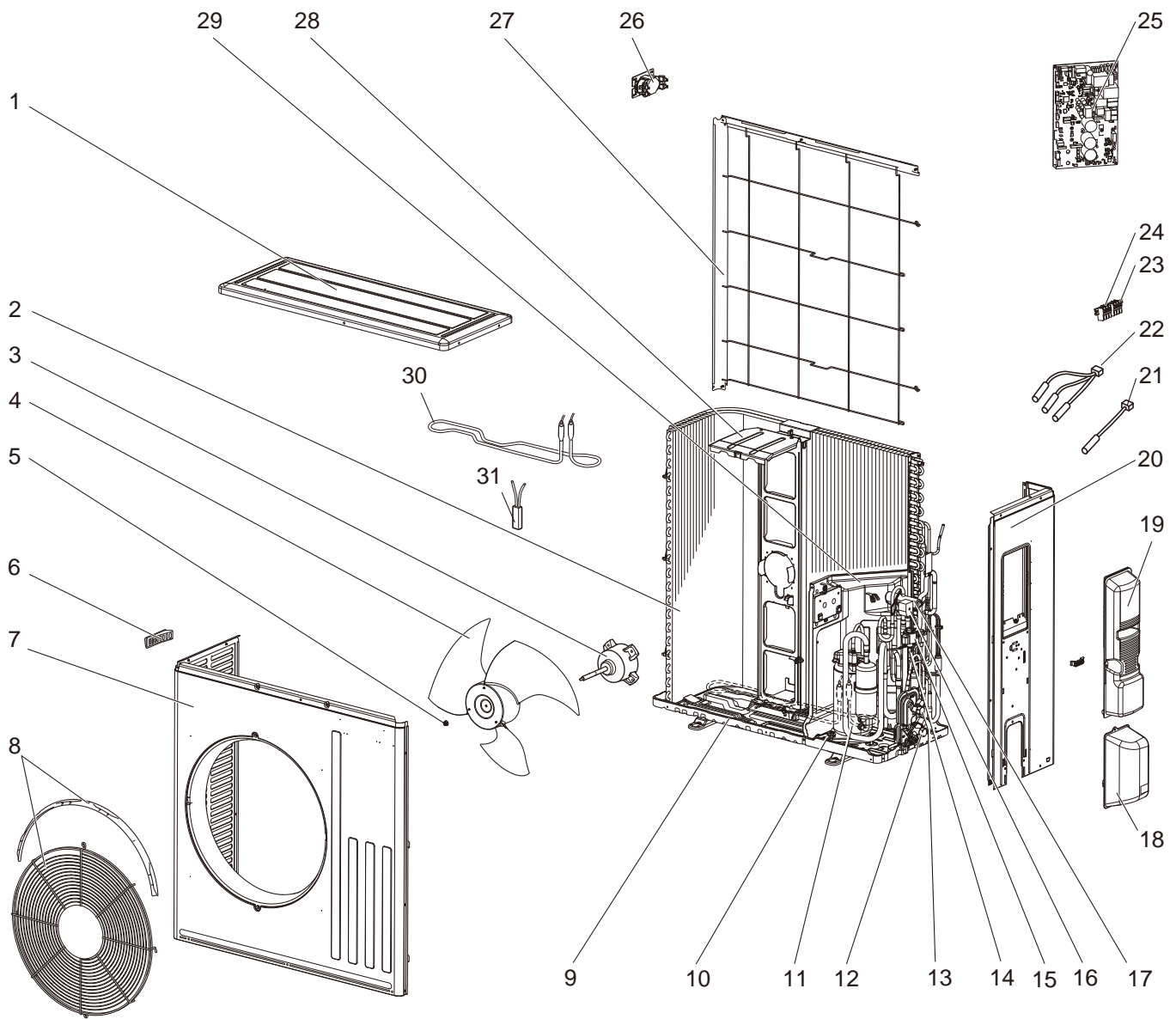
No.	Part No.	Part Name	MUFZ-KW25VGHZ - [E]	MUFZ-KW35VGHZ - [E]	Symbol in Wiring Diagram	Remarks
1	E22 J63 232	CABINET	1	1		
2	E22 J63 531	ICE GUARD	1	1		
3	E22 Y84 521	GRILLE	1	1		
4	E27 L05 508	PROPELLER FAN NUT	1	1		
5	E22 95B 501	PROPELLER FAN	1	1		
6	E22 Y96 290	BASE	1	1		
7	E22 G14 293	SEPARATOR	1	1		
8	E22 R83 900	COMPRESSOR	1	1	MC	SVB130FBBMT
9	E22 C34 506	COMPRESSOR RUBBER SET	3	3		3 RUBBERS/SET
10	E22 T66 661	STOP VALVE (GAS)	1	1		ø9.52
11	E22 T66 662	STOP VALVE (LIQUID)	1	1		ø6.35
12	E22 L59 245	SERVICE PANEL	1	1		
13	E22 G15 233	BACK PANEL	1	1		
14	E22 21G 645	EXPANSION VALVE ASSEMBLY	1	1		Includes LEV body and capillary tube
15	E22 Y84 640	EXPANSION VALVE	1	1		
16	E22 Y84 493	EXPANSION VALVE COIL	1	1	LEV	
17	E22 R81 961	4-WAY VALVE	1	1		
18	E22 930 525	CONDENSER WIRE NET	1	1		
19	E22 930 523	CONDENSER NET	1	1		
20	E22 14F 515	MOTOR SUPPORT	1	1		
21	E22 Y84 630	OUTDOOR HEAT EXCHANGER	1	1		
22	E22 97B 301	OUTDOOR FAN MOTOR	1	1	MF	RC0J50-□□
23	E22 L85 297	TOP PANEL	1	1		
24	E22 Y96 526	DEFROST HEATER	1	1	H	Includes lead assembly
25	E22 D65 381	HEATER PROTECTOR	1	1	26H	

1-2. OUTDOOR UNIT ELECTRICAL PARTS

1. The part quantity below indicates the required number of pieces per unit.

No.	Part No.	Part Name	MUFZ-KW25VGHZ - [E]	MUFZ-KW35VGHZ - [E]	Symbol in Wiring Diagram	Remarks
26	E22 20A 337	REACTOR	1	1	L61	
27	E22 R81 306	THERMISTOR SET	1	1	RT61, RT62	DEFROST, DISCHARGE
28	E22 D65 308	AMBIENT TEMPERATURE THERMISTOR	1	1	RT65	Cased sensor in holder
29	E22 P72 307	OUTDOOR HEAT EXCHANGER TEMPERATURE THERMISTOR	1	1	RT68	
30	E22 R81 490	R.V. COIL	1	1	21S4	
31	E22 T95 374	TERMINAL BLOCK	1	1	TB1	5P
32	E22 62R 451	INVERTER P.C. BOARD	1			Includes heat sink and RT64
32	E22 63R 451	INVERTER P.C. BOARD		1		Includes heat sink and RT64

MUFZ-KW50VGHZ MUFZ-KW60VGHZ
1-3. OUTDOOR UNIT STRUCTURAL PARTS, ELECTRICAL PARTS AND FUNCTIONAL PARTS



1-3. OUTDOOR UNIT STRUCTURAL PARTS, ELECTRICAL PARTS AND FUNCTIONAL PARTS

1. The part quantity below indicates the required number of pieces per unit.

No.	Part No.	Part Name	MUFZ-KW50VGHZ- ^{ET}	MUFZ-KW60VGHZ- ^{ET}	Symbol in Wiring Diagram	Remarks
1	E22 L87 297	TOP PANEL	1	1		
2	E22 Y87 630	OUTDOOR HEAT EXCHANGER	1	1		
3	E22 F28 301	OUTDOOR FAN MOTOR	1	1	MF	RC0J60-□□
4	E22 F28 501	PROPELLER FAN	1	1		
5	E27 L05 508	PROPELLER FAN NUT	1	1		
6	E22 817 009	HANDLE	1	1		
7	E22 F28 232	CABINET	1	1		
8	E22 Y87 521	FAN GUARD	1	1		Includes ice guard
9	E22 H25 290	BASE	1	1		
10	E22 C34 506	COMPRESSOR RUBBER SET	3	3		3 RUBBERS/SET
11	E22 R86 900	COMPRESSOR	1	1	MC	SVB172FCKMT
12	E22 G16 661	STOP VALVE (GAS)	1	1		ø12.7
13	E22 G16 662	STOP VALVE (LIQUID)	1	1		ø6.35
14	E22 M74 645	EXPANSION VALVE ASSEMBLY	1	1		Includes LEV body, capillary tube and muffler
15	E22 Y87 493	EXPANSION VALVE COIL	1	1	LEV	
16	E22 R84 490	R.V. COIL	1	1	21S4	
17	E22 J44 961	4-WAY VALVE	1	1		
18	E22 F28 650	VALVE COVER	1	1		
19	E22 Y87 245	SERVICE PANEL	1	1		
20	E22 F28 233	BACK PANEL	1	1		
21	E22 38F 309	AMBIENT TEMPERATURE THERMISTOR ASSEMBLY	1	1	RT65	Cased sensor in holder
22	E22 R84 308	THERMISTOR SET	1	1	RT61, RT62, RT68	DEFROST, DISCHARGE, OUTDOOR HEAT EXCHANGER TEMPERATURE
23	E22 F29 374	TERMINAL BLOCK	1	1	TB1	3 P
24	E22 T16 374	TERMINAL BLOCK	1	1	TB2	3 P
25	E22 64R 451	INVERTER P.C. BOARD	1			Includes heat sink and RT64
25	E22 65R 451	INVERTER P.C. BOARD		1		Includes heat sink and RT64
26	E22 R84 337	REACTOR	1	1	L	
27	E22 L87 523	CONDENSER NET	1	1		
28	E22 J52 515	MOTOR SUPPORT	1	1		
29	E22 Y98 293	SEPARATOR	1	1		
30	E22 J52 526	DEFROST HEATER	1	1	H	
31	E22 J52 381	HEATER PROTECTOR	1	1	26H	

mitsubishi electric corporation

HEAD OFFICE: TOKYO BUILDING, 2-7-3, MARUNOUCHI, CHIYODA-KU, TOKYO 100-8310, JAPAN

© Copyright 2021 MITSUBISHI ELECTRIC CORPORATION

Published: Jul. 2021. No. OBB895

Made in Japan

Specifications are subject to change without notice.