

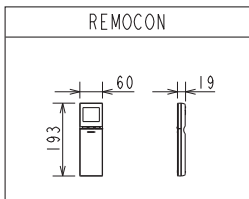
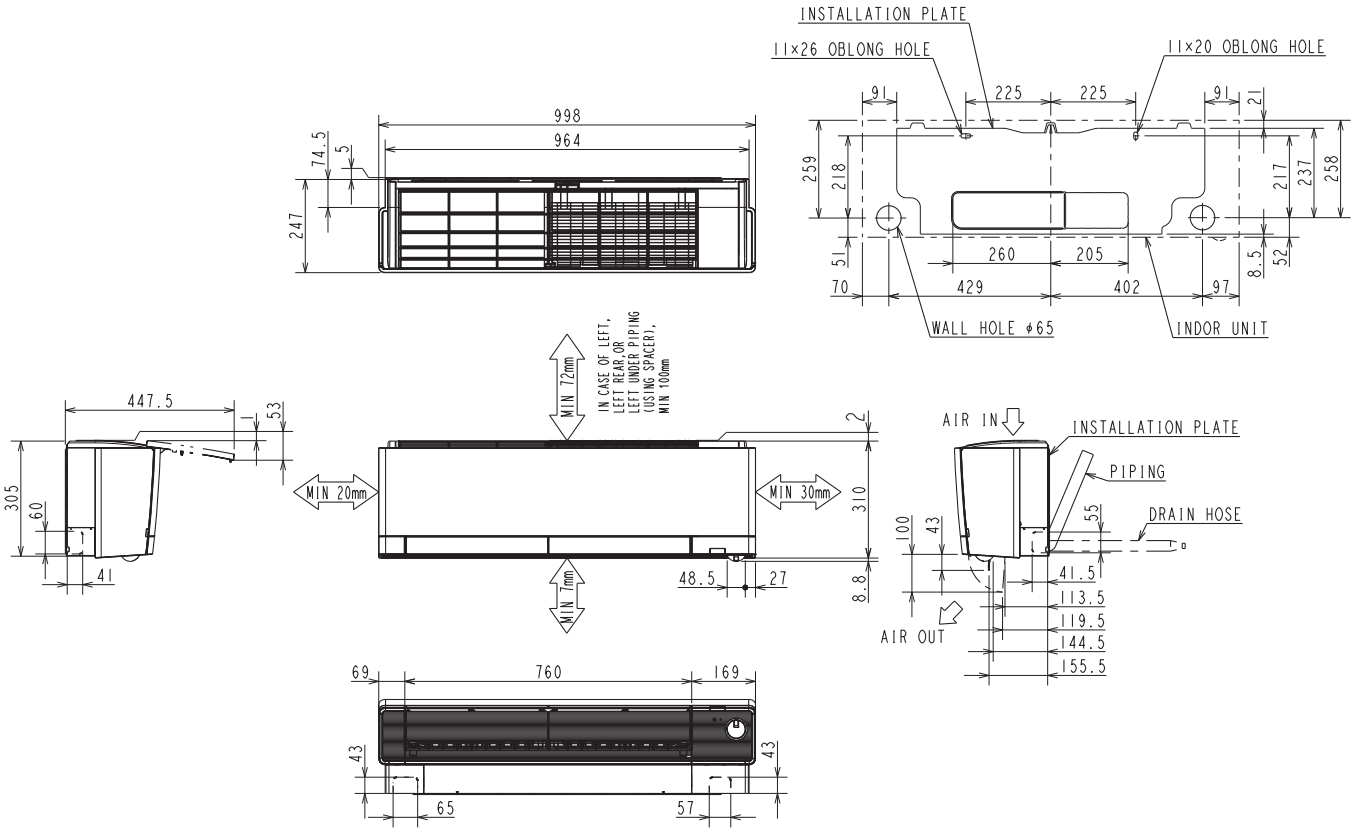
C.1.2 OUTLINES AND DIMENSIONS

C.1.2.1 Indoor Unit

MSZ-RW25VG MSZ-RW35VG MSZ-RW50VG

Unit: mm

INDOOR UNIT



MSZ-RW25/35/50VG - [E1]

PIPING	INSULATION	ø37 O.D
	LIQUID LINE	ø6.35 - 0.5m (FLARED CONNECTION ø6.35)
	GAS LINE	ø9.52 - 0.45m (FLARED CONNECTION ø9.52)
DRAIN HOSE		INSULATION ø29 CONNECTED PART ø16 O.D

MSZ-RW25/35/50VG - [SC1]

PIPING	INSULATION	ø37 O.D
	LIQUID LINE	ø6.35 - 0.64m (FLARED CONNECTION ø6.35)
	GAS LINE	ø9.52 - 0.59m (FLARED CONNECTION ø9.52)
DRAIN HOSE		INSULATION ø29 CONNECTED PART ø16 O.D