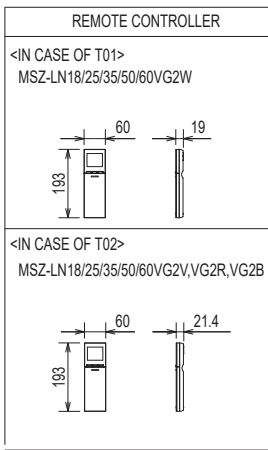
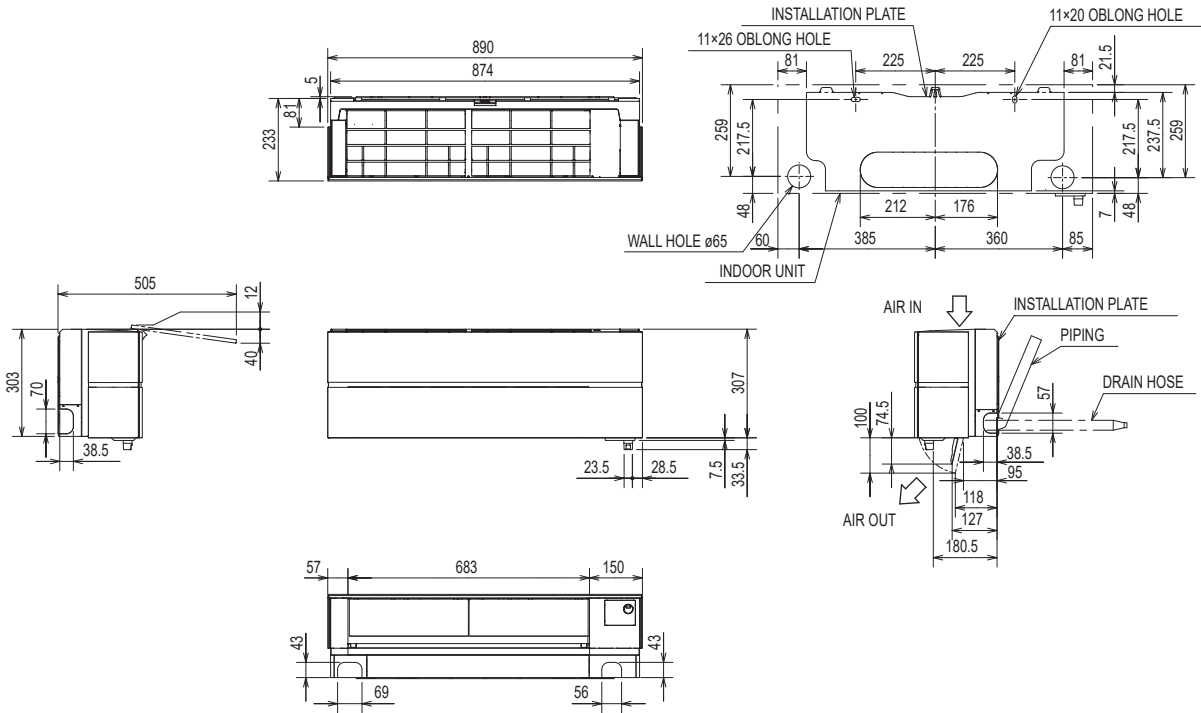


Unit: mm

- MSZ-LN18VG2W MSZ-LN25VG2W MSZ-LN35VG2W MSZ-LN50VG2W MSZ-LN60VG2W
- MSZ-LN18VG2V MSZ-LN25VG2V MSZ-LN35VG2V MSZ-LN50VG2V MSZ-LN60VG2V
- MSZ-LN18VG2B MSZ-LN25VG2B MSZ-LN35VG2B MSZ-LN50VG2B MSZ-LN60VG2B
- MSZ-LN18VG2R MSZ-LN25VG2R MSZ-LN35VG2R MSZ-LN50VG2R MSZ-LN60VG2R

INDOOR UNIT



MSZ-LN18/25/35/50VG2W, VG2V, VG2R, VG2B - [E2]

PIPING	INSULATION	ø37 O.D
	LIQUID LINE	ø6.35 - 0.5m (FLARED CONNECTION ø6.35)
	GAS LINE	ø9.52 - 0.45m (FLARED CONNECTION ø9.52)
DRAIN HOSE		INSULATION ø29 CONNECTED PART ø16 O.D

MSZ-LN60VG2W, VG2V, VG2B, VG2R - [E2]

PIPING	INSULATION	ø37 O.D
	LIQUID LINE	ø6.35 - 0.5m (FLARED CONNECTION ø6.35)
	GAS LINE	ø9.52 - 0.45m (FLARED CONNECTION ø12.7)
DRAIN HOSE		INSULATION ø29 CONNECTED PART ø16 O.D

MSZ-LN18/25/35/50VG2W, VG2V, VG2R, VG2B - [EN2]

PIPING	INSULATION	ø37 O.D
	LIQUID LINE	ø6.35 - 0.64m (FLARED CONNECTION ø6.35)
	GAS LINE	ø9.52 - 0.59m (FLARED CONNECTION ø9.52)
DRAIN HOSE		INSULATION ø29 CONNECTED PART ø16 O.D

WALL-MOUNTED OUTLINES AND DIMENSIONS