

Revision A:

• MSZ-FT25/35/50VGK - **E2**, **SC2** have been added.

OBB864 is void.

INDOOR UNIT

No. OBB864
REVISED EDITION-A

PARTS CATALOG

Models

MSZ-FT25VG - **E1**

MSZ-FT35VG - **E1**

MSZ-FT50VG - **E1**

MSZ-FT25VGK - **E1**, **E2**, **ET1**, **SC1**, **SC2**

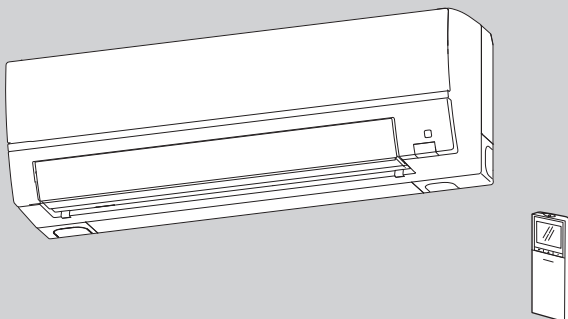
MSZ-FT35VGK - **E1**, **E2**, **ET1**, **SC1**, **SC2**

MSZ-FT50VGK - **E1**, **E2**, **ET1**, **SC1**, **SC2**

CONTENTS

1. SERVICE PARTS LIST2

SERVICE MANUAL (OBH864)



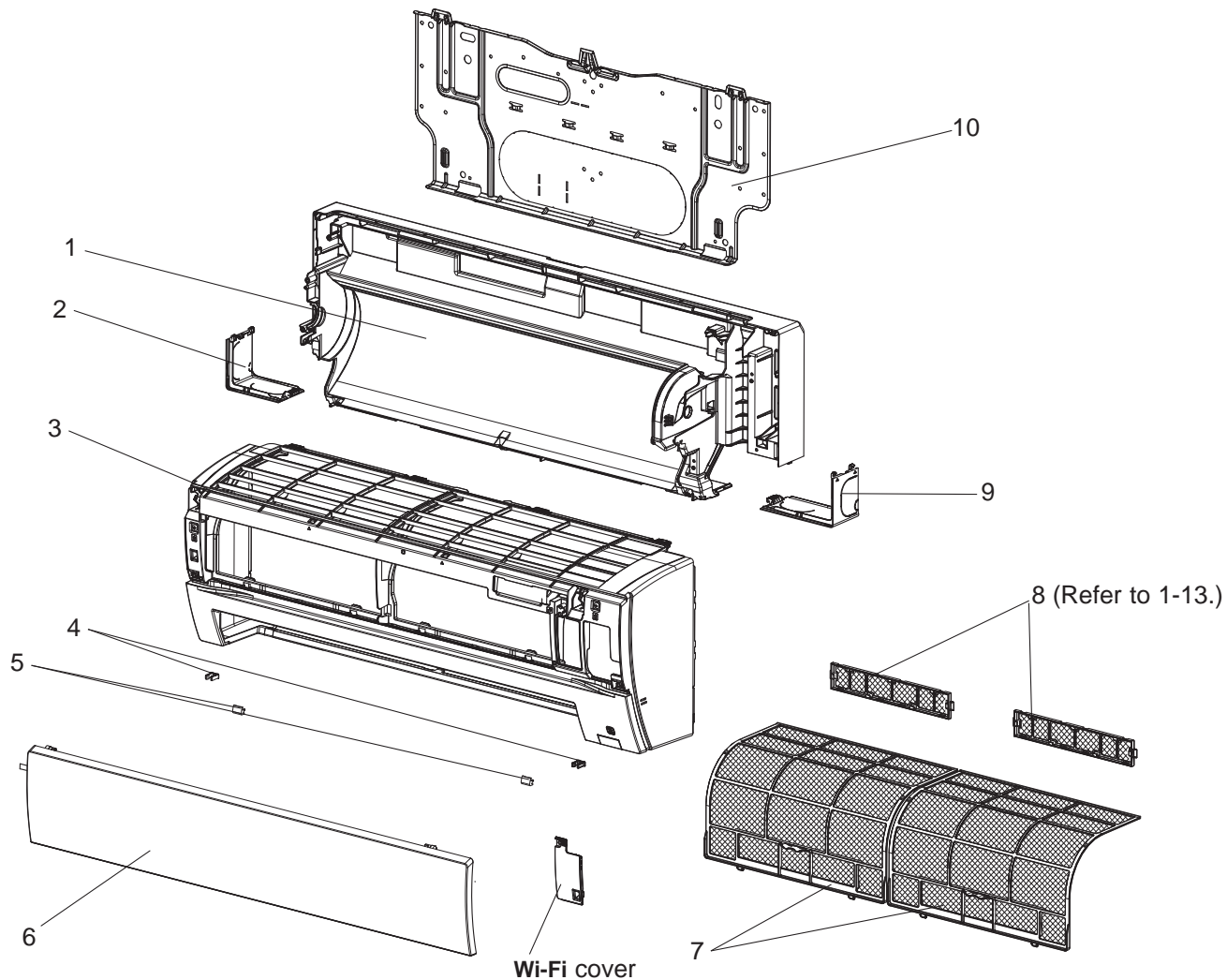
Revision A:

• MSZ-FT25/35/50VGK - E2, SC2 have been added.

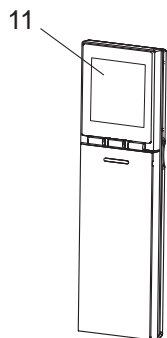
1 SERVICE PARTS LIST

MSZ-FT25VG - E1 MSZ-FT35VG - E1 MSZ-FT50VG - E1

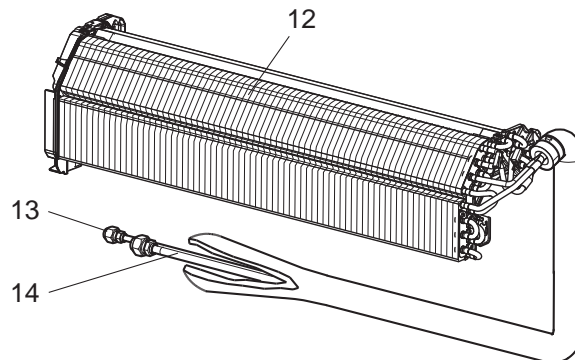
1-1. INDOOR UNIT STRUCTURAL PARTS



1-2. ACCESSORY AND REMOTE CONTROLLER



1-3. INDOOR UNIT HEAT EXCHANGER



1-1. INDOOR UNIT STRUCTURAL PARTS

1. The part quantity below indicates the required number of pieces per unit.

No.	Part No.	Part name	MSZ-FT25VG - [E1]	MSZ-FT35VG - [E1]	MSZ-FT50VG - [E1]	Symbol in Wiring Diagram	Remarks
1	E22 43C 234	BOX ASSEMBLY	1	1	1		
2	E22 94B 976	CORNER BOX LEFT	1	1	1		
3	E22 41M 000	PANEL ASSEMBLY	1	1	1		Includes No. 4, 5, 6
4	E22 F95 142	CATCH	2	2	2		2 PCS/SET
5	E22 94B 067	SCREW CAP	2	2	2		2 PCS/SET
6	E22 41M 010	FRONT PANEL	1	1	1		
7	E22 26K 100	AIR FILTER	2	2	2		1 PC/SET
8	—	AIR CLEANING FILTER (SILVER-IONIZED PURIFIER FILTER)	2	2	2		MAC-2370FT-E 2 PCS/SET
9	E22 94B 975	CORNER BOX RIGHT	1	1	1		
10	E22 94B 970	INSTALLATION PLATE	1	1	1		

1-2. ACCESSORY AND REMOTE CONTROLLER

1. The part quantity below indicates the required number of pieces per unit.

No.	Part No.	Part name	MSZ-FT25VG - [E1]	MSZ-FT35VG - [E1]	MSZ-FT50VG - [E1]	Symbol in Wiring Diagram	Remarks
11	E22 41M 426	REMOTE CONTROLLER	1	1	1		SH20E

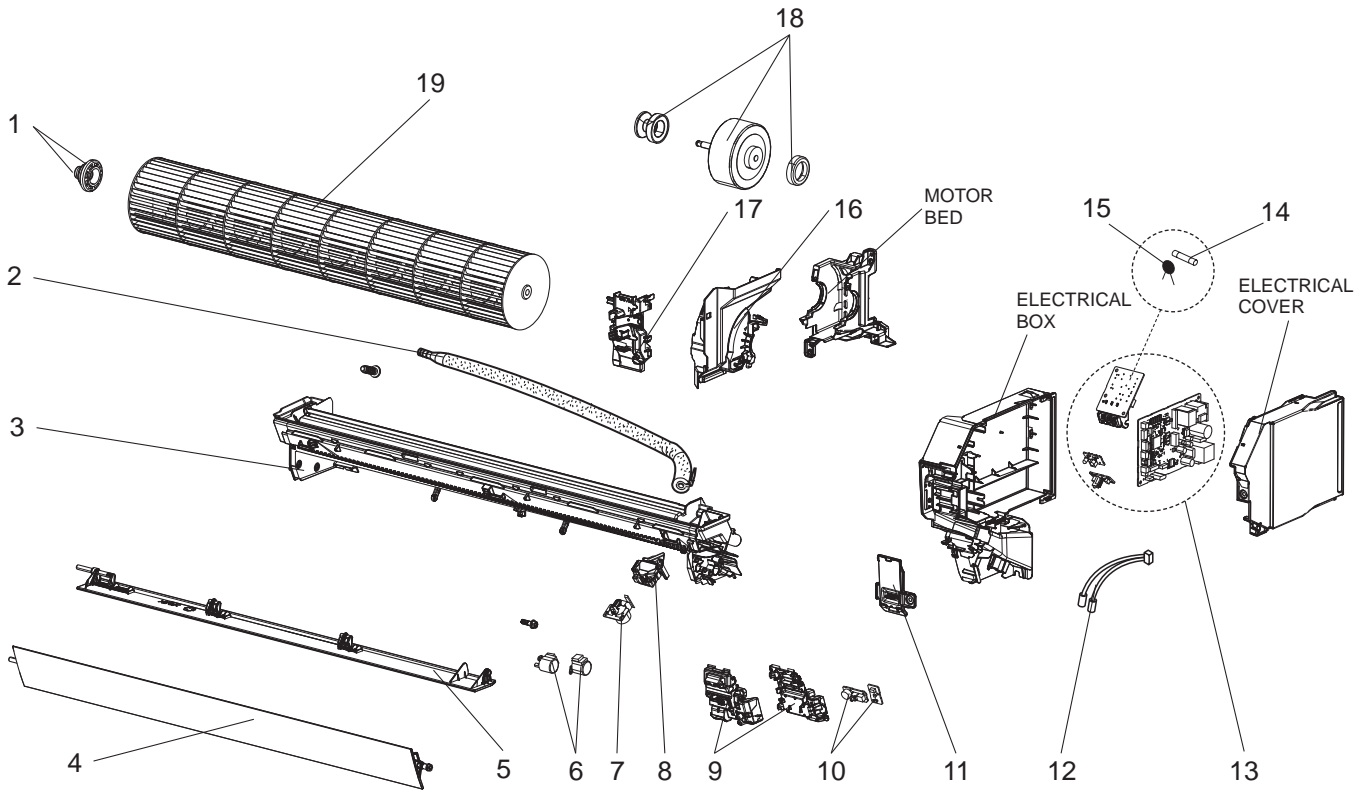
1-3. INDOOR UNIT HEAT EXCHANGER

1. The part quantity below indicates the required number of pieces per unit.

No.	Part No.	Part name	MSZ-FT25VG - [E1]	MSZ-FT35VG - [E1]	MSZ-FT50VG - [E1]	Symbol in Wiring Diagram	Remarks
12	E22 41M 620	INDOOR HEAT EXCHANGER	1	1	1		
13	E22 C32 667	UNION (LIQUID)	1	1	1		ø6.35 (1/4)
14	E22 151 666	UNION (GAS)	1	1	1		ø9.52 (3/8)

MSZ-FT25VG - E1 MSZ-FT35VG - E1 MSZ-FT50VG - E1

1-4. INDOOR UNIT ELECTRICAL PARTS AND FUNCTIONAL PARTS

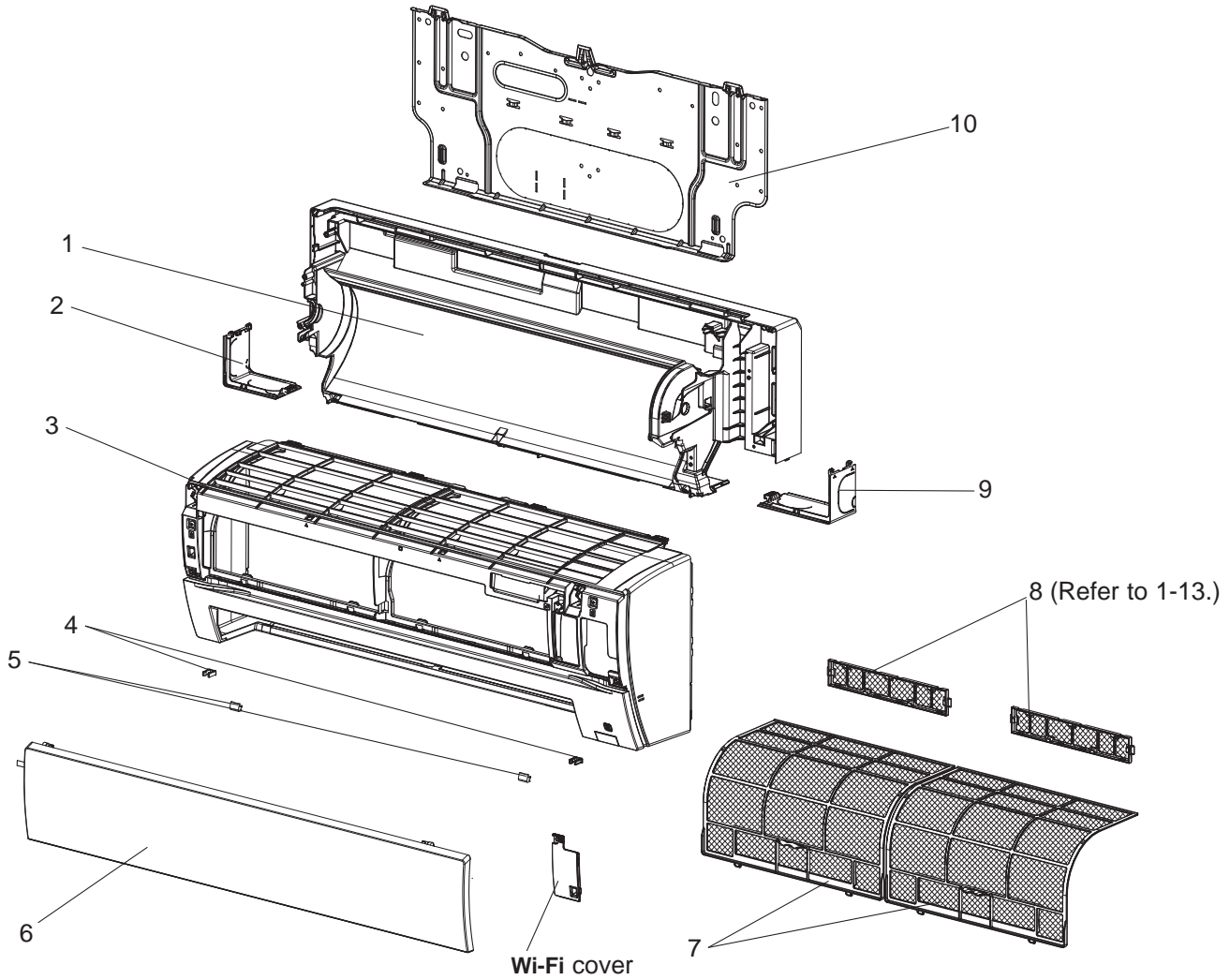


1-4. INDOOR UNIT ELECTRICAL PARTS AND FUNCTIONAL PARTS

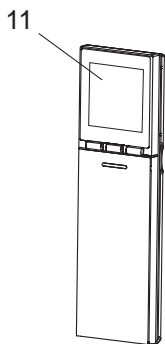
1. The part quantity below indicates the required number of pieces per unit.

No.	Part No.	Part name	MSZ-FT25VG - [ET]	MSZ-FT35VG - [ET]	MSZ-FT50VG - [ET]	Symbol in Wiring Diagram	Remarks
1	E22 A89 509	BEARING MOUNT ASSEMBLY	1	1	1		Includes SLEEVE BEARING
2	E22 P72 702	DRAIN HOSE	1	1	1		
3	E22 41M 235	NOZZLE ASSEMBLY	1	1	1		FULL ASSEMBLY EXCEPT DRAIN HOSE
4	E22 86F 040	HORIZONTAL VANE (UPPER)	1	1	1		
5	E22 86F 041	HORIZONTAL VANE (LOWER)	1	1	1		
6	E22 A89 303	VANE MOTOR (HORIZONTAL)	2	2	2	MV1, MV2	UP & DOWN
7	E22 C32 303	VANE MOTOR (VERTICAL)	1	1	1	MV3	RIGHT & LEFT
8	E22 86F 303	VERTICAL VANE MOTOR UNIT	1	1	1		Includes MV3
9	E22 86F 095	DISPLAY P.C. BOARD HOLDER	1	1	1		
10	E22 41M 326	SWITCH/BUZZER P.C. BOARD	1	1	1		Includes TRANSMITTER P.C. BOARD
11	E22 94B 784	V.A. CLAMP	1	1	1		
12	E22 41M 307	INDOOR COIL THERMISTOR	1	1	1	RT12, RT13	
13	E22 41M 452	ELECTRONIC CONTROL P.C. BOARD	1				Includes TERMINAL P.C. BOARD with TERMINAL BLOCK (TB) attached, DISPLAY P.C. BOARD, RECEIVER P.C. BOARD and RT11
13	E22 42M 452	ELECTRONIC CONTROL P.C. BOARD		1			
13	E22 43M 452	ELECTRONIC CONTROL P.C. BOARD			1		
14	E22 42J 382	FUSE	1	1	1	F11	T3.15AL250V
15	E22 K90 385	VARISTOR	1	1	1	NR11	
16	E22 94B 333	MOTOR BAND	1	1	1		
17	E22 41M 541	WATER COVER	1	1	1		
18	E22 29A 300	INDOOR FAN MOTOR	1	1	1	MF	RC0J30-□□ Includes FAN MOTOR RUB BER MOUNT (2 PCS/SET)
19	E22 J98 302	LINE FLOW FAN	1	1	1		

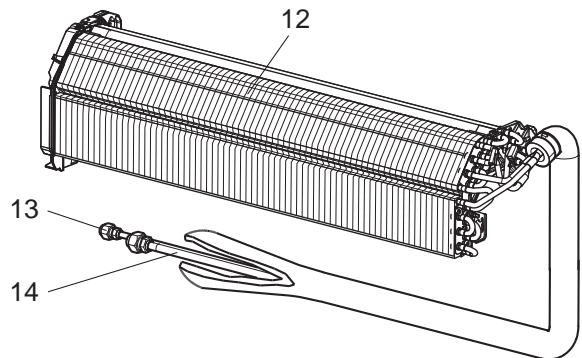
MSZ-FT25VGK- E1, E2, ET1 **MSZ-FT35VGK-** E1, E2, ET1 **MSZ-FT50VGK-** E1, E2, ET1
1-5. INDOOR UNIT STRUCTURAL PARTS



1-6. ACCESSORY AND REMOTE CONTROLLER



1-7. INDOOR UNIT HEAT EXCHANGER



1-5. INDOOR UNIT STRUCTURAL PARTS

1. The part quantity below indicates the required number of pieces per unit.

No.	Part No.	Part name	MSZ-FT25VGK - [E1]	MSZ-FT25VGK - [E2]	MSZ-FT25VGK - [ET1]	MSZ-FT35VGK - [E1]	MSZ-FT35VGK - [E2]	MSZ-FT35VGK - [ET1]	MSZ-FT50VGK - [E1]	MSZ-FT50VGK - [E2]	MSZ-FT50VGK - [ET1]	Symbol in Wiring Diagram	Remarks
1	E22 43C 234	BOX ASSEMBLY	1	1	1	1	1	1	1	1	1		
2	E22 94B 976	CORNER BOX LEFT	1	1	1	1	1	1	1	1	1		
3	E22 41M 000	PANEL ASSEMBLY	1		1	1		1	1		1		Includes No. 4, 5, 6
3	E22 02W 000	PANEL ASSEMBLY		1			1			1			Includes No. 4, 5, 6
4	E22 F95 142	CATCH	2	2	2	2	2	2	2	2	2		2 PCS/SET
5	E22 94B 067	SCREW CAP	2	2	2	2	2	2	2	2	2		2 PCS/SET
6	E22 41M 010	FRONT PANEL	1	1	1	1	1	1	1	1	1		
7	E22 26K 100	AIR FILTER	2	2	2	2	2	2	2	2	2		1 PC/SET
8	—	AIR CLEANING FILTER (SILVER-IONIZED PURIFIER FILTER)	2		2	2		2	2		2		MAC-2370FT-E 2 PCS/SET
8	—	AIR CLEANING FILTER (V BLOCKING FILTER)		2			2			2			MAC-2470FT-E 2 PCS/SET
9	E22 94B 975	CORNER BOX RIGHT	1	1	1	1	1	1	1	1	1		
10	E22 94B 970	INSTALLATION PLATE	1	1	1	1	1	1	1	1	1		

1-6. ACCESSORY AND REMOTE CONTROLLER

1. The part quantity below indicates the required number of pieces per unit.

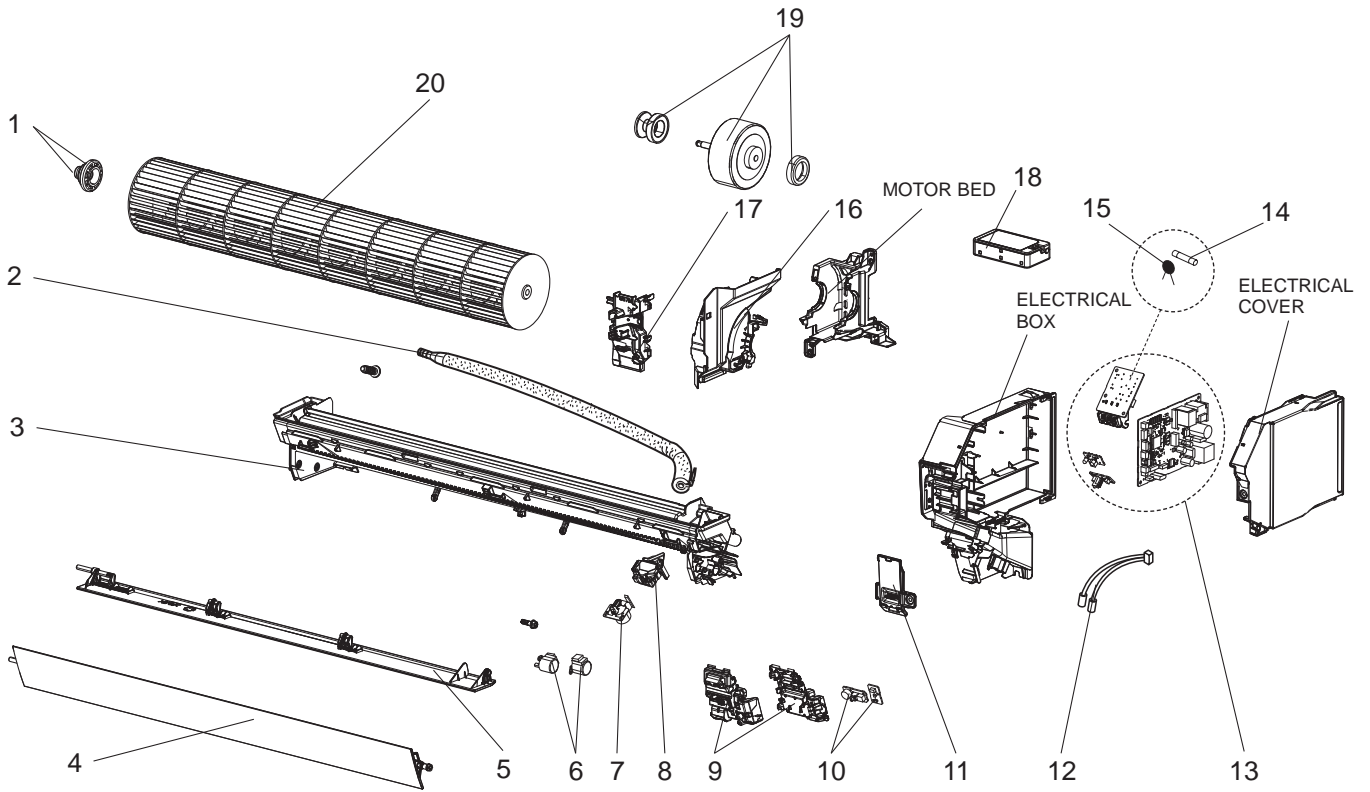
No.	Part No.	Part name	MSZ-FT25VGK - [E1]	MSZ-FT25VGK - [E2]	MSZ-FT25VGK - [ET1]	MSZ-FT35VGK - [E1]	MSZ-FT35VGK - [E2]	MSZ-FT35VGK - [ET1]	MSZ-FT50VGK - [E1]	MSZ-FT50VGK - [E2]	MSZ-FT50VGK - [ET1]	Symbol in Wiring Diagram	Remarks
11	E22 41M 426	REMOTE CONTROLLER	1	1	1	1	1	1	1	1	1		SH20E

1-7. INDOOR UNIT HEAT EXCHANGER

1. The part quantity below indicates the required number of pieces per unit.

No.	Part No.	Part name	MSZ-FT25VGK - [E1]	MSZ-FT25VGK - [E2]	MSZ-FT25VGK - [ET1]	MSZ-FT35VGK - [E1]	MSZ-FT35VGK - [E2]	MSZ-FT35VGK - [ET1]	MSZ-FT50VGK - [E1]	MSZ-FT50VGK - [E2]	MSZ-FT50VGK - [ET1]	Symbol in Wiring Diagram	Remarks
12	E22 41M 620	INDOOR HEAT EXCHANGER	1	1	1	1	1	1	1	1	1		
13	E22 C32 667	UNION (LIQUID)	1	1	1	1	1	1	1	1	1		ø6.35 (1/4)
14	E22 151 666	UNION (GAS)	1	1	1	1	1	1	1	1	1		ø9.52 (3/8)

MSZ-FT25VGK - [E1], [E2], [ET1] MSZ-FT35VGK - [E1], [E2], [ET1] MSZ-FT50VGK - [E1], [E2], [ET1]
1-8. INDOOR UNIT ELECTRICAL PARTS AND FUNCTIONAL PARTS

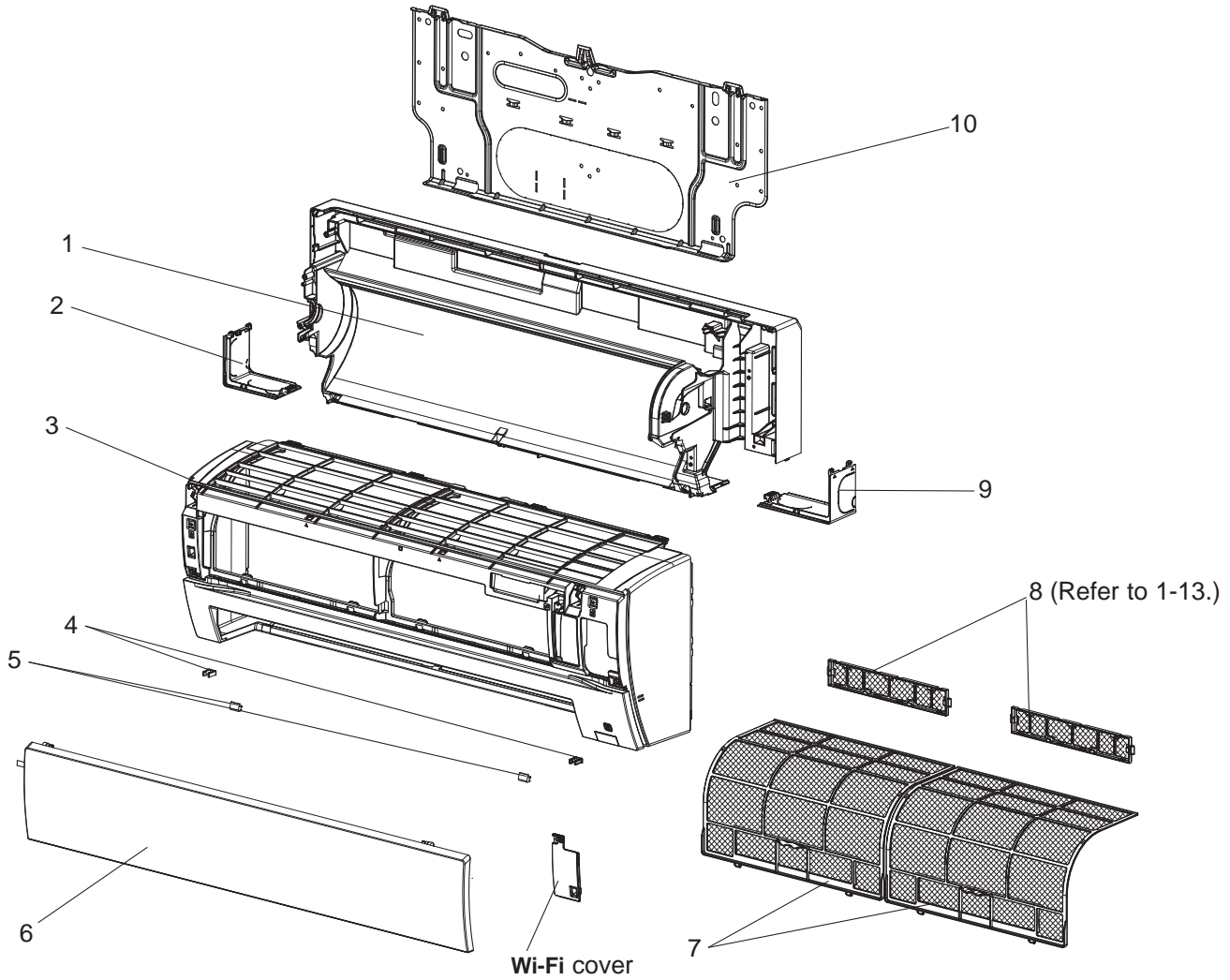


1-8. INDOOR UNIT ELECTRICAL PARTS AND FUNCTIONAL PARTS

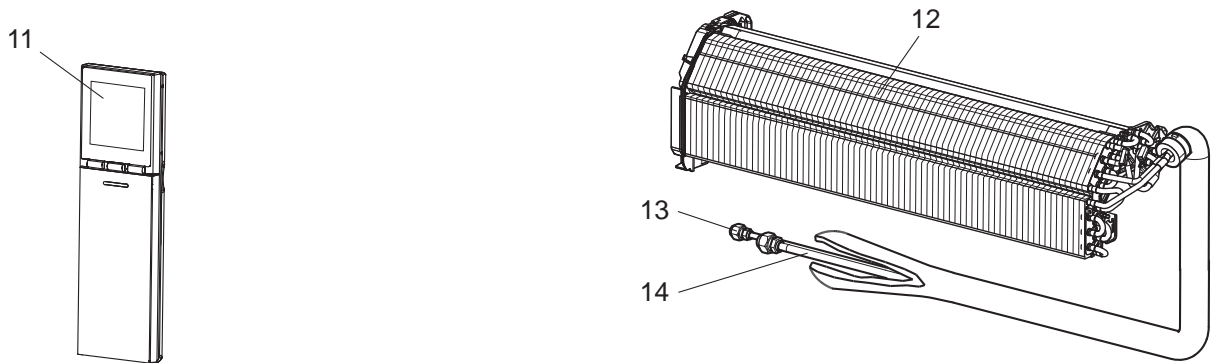
1. The part quantity below indicates the required number of pieces per unit.

No.	Part No.	Part name	MSZ-FT25VGK - E1	MSZ-FT25VGK - E2	MSZ-FT25VGK - E1	MSZ-FT35VGK - E1	MSZ-FT35VGK - E2	MSZ-FT35VGK - E1	MSZ-FT50VGK - E1	MSZ-FT50VGK - E2	MSZ-FT50VGK - E1	Symbol in Wiring Diagram	Remarks
1	E22 A89 509	BEARING MOUNT ASSEMBLY	1	1	1	1	1	1	1	1	1		Includes SLEEVE BEARING
2	E22 P72 702	DRAIN HOSE	1	1	1	1	1	1	1	1	1		
3	E22 41M 235	NOZZLE ASSEMBLY	1	1	1	1	1	1	1	1	1		FULL ASSEMBLY EXCEPT DRAIN HOSE
4	E22 86F 040	HORIZONTAL VANE (UPPER)	1	1	1	1	1	1	1	1	1		
5	E22 86F 041	HORIZONTAL VANE (LOWER)	1	1	1	1	1	1	1	1	1		
6	E22 A89 303	VANE MOTOR (HORIZONTAL)	2	2	2	2	2	2	2	2	2	MV1, MV2	UP & DOWN
7	E22 C32 303	VANE MOTOR (VERTICAL)	1	1	1	1	1	1	1	1	1	MV3	RIGHT & LEFT
8	E22 86F 303	VERTICAL VANE MOTOR UNIT	1	1	1	1	1	1	1	1	1		Includes MV3
9	E22 86F 095	DISPLAY P.C. BOARD HOLDER	1	1	1	1	1	1	1	1	1		
10	E22 41M 326	SWITCH/BUZZER P.C. BOARD	1	1	1	1	1	1	1	1	1		Includes TRANSMITTER P.C. BOARD
11	E22 94B 784	V.A. CLAMP	1	1	1	1	1	1	1	1	1		
12	E22 41M 307	INDOOR COIL THERMISTOR	1	1	1	1	1	1	1	1	1	RT12, RT13	
13	E22 41M 452	ELECTRONIC CONTROL P.C. BOARD	1		1								Includes TERMINAL P.C. BOARD with TERMINAL BLOCK (TB) attached, DISPLAY P.C. BOARD, RECEIVER P.C. BOARD and RT11
13	E22 02W 452	ELECTRONIC CONTROL P.C. BOARD		1									
13	E22 42M 452	ELECTRONIC CONTROL P.C. BOARD				1		1					
13	E22 03W 452	ELECTRONIC CONTROL P.C. BOARD					1						
13	E22 43M 452	ELECTRONIC CONTROL P.C. BOARD							1		1		
13	E22 04W 452	ELECTRONIC CONTROL P.C. BOARD								1			
14	E22 42J 382	FUSE	1	1	1	1	1	1	1	1	1	F11	T3.15AL250V
15	E22 K90 385	VARISTOR	1	1	1	1	1	1	1	1	1	NR11	
16	E22 94B 333	MOTOR BAND	1	1	1	1	1	1	1	1	1		
17	E22 41M 541	WATER COVER	1	1	1	1	1	1	1	1	1		
18	E22 45L 457	Wi-Fi INTERFACE MAC-577IF2-E	1		1	1		1	1		1		MAC-577IF2-E
18	E22 02W 457	WI-FI INTERFACE MAC-577IF2-E		1			1			1			
19	E22 29A 300	INDOOR FAN MOTOR	1	1	1	1	1	1	1	1	1	MF	RC0J30-□□ Includes FAN MOTOR RUBBER MOUNT (2 PCS/SET)
20	E22 J98 302	LINE FLOW FAN	1	1	1	1	1	1	1	1	1		

MSZ-FT25VGK - SC1, SC2 MSZ-FT35VGK - SC1, SC2 MSZ-FT50VGK - SC1, SC2
1-9. INDOOR UNIT STRUCTURAL PARTS



1-10. ACCESSORY AND REMOTE CONTROLLER 1-11. INDOOR UNIT HEAT EXCHANGER



1-9. INDOOR UNIT STRUCTURAL PARTS

1. The part quantity below indicates the required number of pieces per unit.

No.	Part No.	Part name	MSZ-FT25VGK - [SC1]	MSZ-FT25VGK - [SC2]	MSZ-FT35VGK - [SC1]	MSZ-FT35VGK - [SC2]	MSZ-FT50VGK - [SC1]	MSZ-FT50VGK - [SC2]	Symbol in Wiring Diagram	Remarks
1	E22 43C 234	BOX ASSEMBLY	1	1	1	1	1	1		
2	E22 94B 976	CORNER BOX LEFT	1	1	1	1	1	1		
3	E22 41M 000	PANEL ASSEMBLY	1		1		1			Includes No. 4, 5, 6
3	E22 02W 000	PANEL ASSEMBLY		1		1		1		Includes No. 4, 5, 6
4	E22 F95 142	CATCH	2	2	2	2	2	2		2 PCS/SET
5	E22 94B 067	SCREW CAP	2	2	2	2	2	2		2 PCS/SET
6	E22 41M 010	FRONT PANEL	1	1	1	1	1	1		
7	E22 26K 100	AIR FILTER	2	2	2	2	2	2		1 PC/SET
8	—	AIR CLEANING FILTER (SILVER-IONIZED PURIFIER FILTER)	2		2		2			MAC-2370FT-E 2 PCS/SET
8	—	AIR CLEANING FILTER (V BLOCKING FILTER)		2		2		2		MAC-2470FT-E 2 PCS/SET
9	E22 94B 975	CORNER BOX RIGHT	1	1	1	1	1	1		
10	E22 94B 970	INSTALLATION PLATE	1	1	1	1	1	1		

1-10. ACCESSORY AND REMOTE CONTROLLER

1. The part quantity below indicates the required number of pieces per unit.

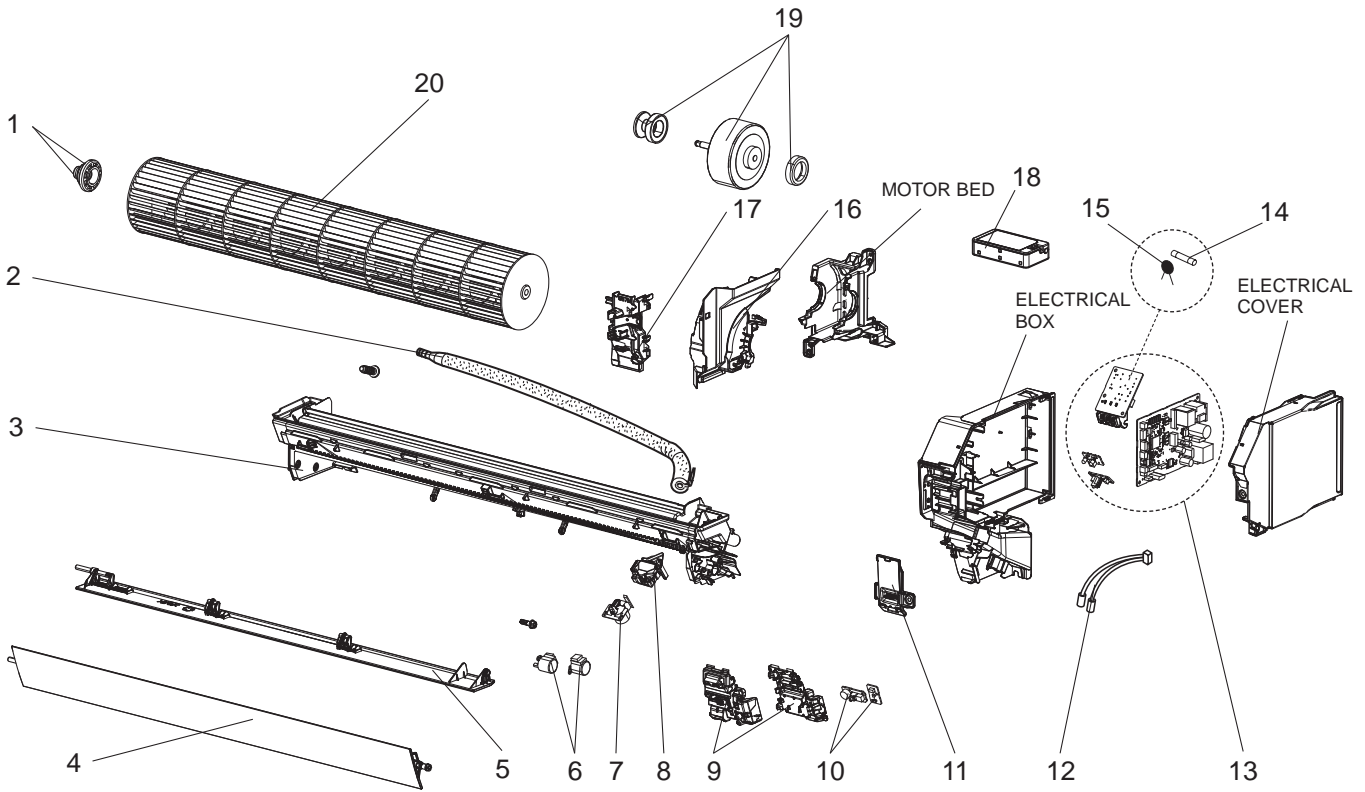
No.	Part No.	Part name	MSZ-FT25VGK - [SC1]	MSZ-FT25VGK - [SC2]	MSZ-FT35VGK - [SC1]	MSZ-FT35VGK - [SC2]	MSZ-FT50VGK - [SC1]	MSZ-FT50VGK - [SC2]	Symbol in Wiring Diagram	Remarks
11	E22 47M 426	REMOTE CONTROLLER	1	1	1	1	1	1		SH20D

1-11. INDOOR UNIT HEAT EXCHANGER

1. The part quantity below indicates the required number of pieces per unit.

No.	Part No.	Part name	MSZ-FT25VGK - [SC1]	MSZ-FT25VGK - [SC2]	MSZ-FT35VGK - [SC1]	MSZ-FT35VGK - [SC2]	MSZ-FT50VGK - [SC1]	MSZ-FT50VGK - [SC2]	Symbol in Wiring Diagram	Remarks
12	E22 47M 620	INDOOR HEAT EXCHANGER	1	1	1	1	1	1		
13	E22 C32 667	UNION (LIQUID)	1	1	1	1	1	1		ø6.35 (1/4)
14	E22 151 666	UNION (GAS)	1	1	1	1	1	1		ø9.52 (3/8)

MSZ-FT25VGK - SC1, SC2 MSZ-FT35VGK - SC1, SC2 MSZ-FT50VGK - SC1, SC2
1-12. INDOOR UNIT ELECTRICAL PARTS AND FUNCTIONAL PARTS



1-12. INDOOR UNIT ELECTRICAL PARTS AND FUNCTIONAL PARTS

1. The part quantity below indicates the required number of pieces per unit.

No.	Part No.	Part name	MSZ-FT25VGK -	MSZ-FT25VGK -	MSZ-FT35VGK -	MSZ-FT35VGK -	MSZ-FT50VGK -	MSZ-FT50VGK -	Symbol in Wiring Diagram	Remarks
			SC1	SC2	SC1	SC2	SC1	SC2		
1	E22 A89 509	BEARING MOUNT ASSEMBLY	1	1	1	1	1	1		Includes SLEEVE BEARING
2	E22 T20 702	DRAIN HOSE	1	1	1	1	1	1		
3	E22 41M 235	NOZZLE ASSEMBLY	1	1	1	1	1	1		FULL ASSEMBLY EXCEPT DRAIN HOSE
4	E22 86F 040	HORIZONTAL VANE (UPPER)	1	1	1	1	1	1		
5	E22 86F 041	HORIZONTAL VANE (LOWER)	1	1	1	1	1	1		
6	E22 A89 303	VANE MOTOR (HORIZONTAL)	2	2	2	2	2	2	MV1, MV2	UP & DOWN
7	E22 C32 303	VANE MOTOR (VERTICAL)	1	1	1	1	1	1	MV3	RIGHT & LEFT
8	E22 86F 303	VERTICAL VANE MOTOR UNIT	1	1	1	1	1	1		Includes MV3
9	E22 86F 095	DISPLAY P.C. BOARD HOLDER	1	1	1	1	1	1		
10	E22 41M 326	SWITCH/BUZZER P.C. BOARD	1	1	1	1	1	1		Includes TRANSMITTER P.C. BOARD
11	E22 94B 784	V.A. CLAMP	1	1	1	1	1	1		
12	E22 41M 307	INDOOR COIL THERMISTOR	1	1	1	1	1	1	RT12, RT13	
13	E22 47M 452	ELECTRONIC CONTROL P.C. BOARD	1							Includes TERMINAL P.C. BOARD with TERMINAL BLOCK (TB) attached, DISPLAY P.C. BOARD, RECEIVER P.C. BOARD and RT11
13	E22 05W 452	ELECTRONIC CONTROL P.C. BOARD		1						
13	E22 48M 452	ELECTRONIC CONTROL P.C. BOARD			1					
13	E22 06W 452	ELECTRONIC CONTROL P.C. BOARD				1				
13	E22 49M 452	ELECTRONIC CONTROL P.C. BOARD					1			
13	E22 07W 452	ELECTRONIC CONTROL P.C. BOARD						1		
14	E22 42J 382	FUSE	1	1	1	1	1	1	F11	T3.15AL250V
15	E22 K90 385	VARISTOR	1	1	1	1	1	1	NR11	
16	E22 94B 333	MOTOR BAND	1	1	1	1	1	1		
17	E22 41M 541	WATER COVER	1	1	1	1	1	1		
18	E22 45L 457	Wi-Fi INTERFACE MAC-577IF2-E	1		1		1			MAC-577IF2-E
18	E22 02W 457	Wi-Fi INTERFACE MAC-577IF2-E		1		1		1		MAC-577IF2-E
19	E22 29A 300	INDOOR FAN MOTOR	1	1	1	1	1	1	MF	RC0J30-□□ Includes FAN MOTOR RUBBER MOUNT (2 PCS/SET)
20	E22 J98 302	LINE FLOW FAN	1	1	1	1	1	1		

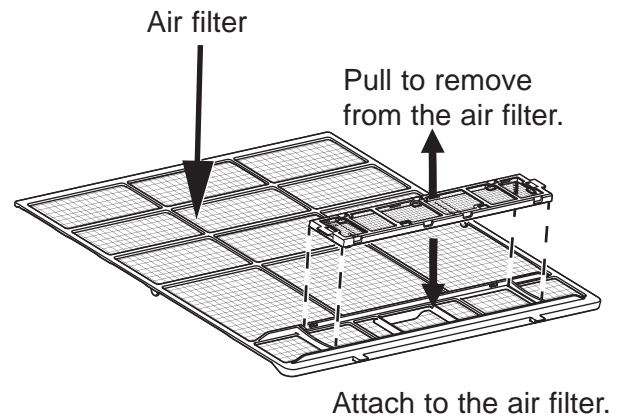
1-13. AIR CLEANING FILTER

SILVER-IONIZED AIR PURIFIER FILTER

Model	Part No.
MSZ-FT25VG MSZ-FT35VG MSZ-FT50VG	MAC-2370FT-E
MSZ-FT25VGK - E1, ET1, SC1	
MSZ-FT35VGK - E1, ET1, SC1	
MSZ-FT50VGK - E1, ET1, SC1	

V BLOCKING FILTER

Model	Part No.
MSZ-FT25VGK - E2, SC2 MSZ-FT35VGK - E2, SC2 MSZ-FT50VGK - E2, SC2	MAC-2470FT-E



Every 3 months:

- Remove dirt by a vacuum cleaner.

When dirt cannot be removed by vacuum cleaning:

- Soak the filter and its frame in lukewarm water before rinsing it.
- After washing, dry it well in shade. Install all tabs of the air filter.

Every year:

- Replace it with a new air cleaning filter for best performance.

MITSUBISHI ELECTRIC CORPORATION

HEAD OFFICE: TOKYO BUILDING, 2-7-3, MARUNOUCHI, CHIYODA-KU, TOKYO 100-8310, JAPAN

© Copyright 2020 MITSUBISHI ELECTRIC CORPORATION

Issued: May 2022. No. OBB864 REVISED EDITION-A

Published: Jun. 2020. No. OBB864

Made in Japan

Specifications are subject to change without notice.