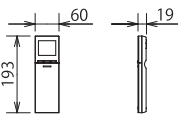
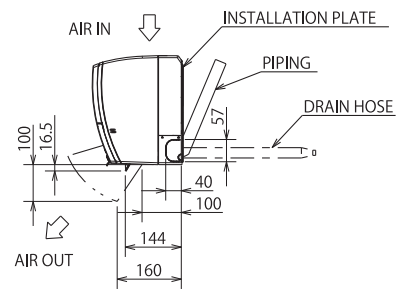
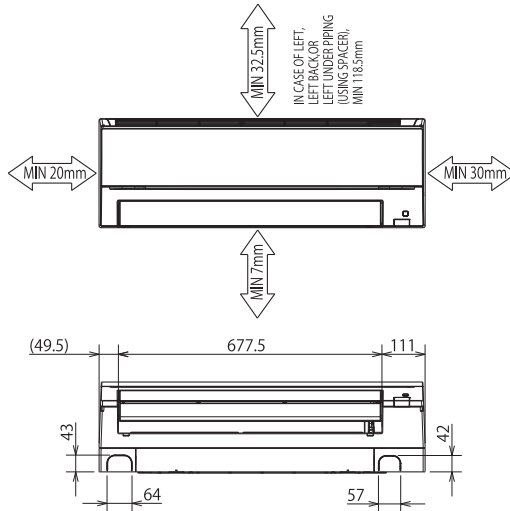
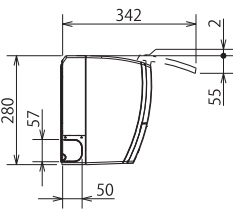
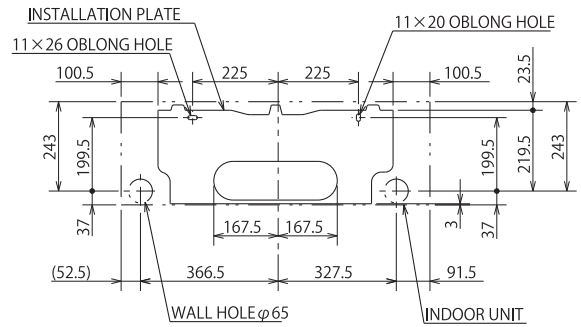
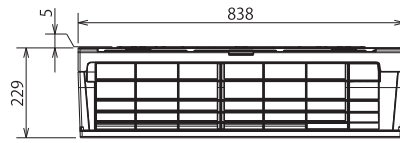


Unit: mm

MSZ-FT25VG MSZ-FT35VG MSZ-FT50VG  
MSZ-FT25VGK MSZ-FT35VGK MSZ-FT50VGK

INDOOR UNIT



MSZ-FT25/35/50VG-[E]  
MSZ-FT25/35/50VGK-[E]

PIPING	INSULATION	ø 37 O.D
	LIQUID LINE	ø 7 - 0.39m (FLARED CONNECTION ø 6.35)
	GAS LINE	ø 9.52 - 0.34m (FLARED CONNECTION ø 9.52)
	DRAIN HOSE	INSULATION ø 29 CONNECTED PART ø 16 O.D

MSZ-FT25/35/50VGK-[S]

PIPING	INSULATION	ø 37 O.D
	LIQUID LINE	ø 7 - 0.59m (FLARED CONNECTION ø 6.35)
	GAS LINE	ø 9.52 - 0.54m (FLARED CONNECTION ø 9.52)
	DRAIN HOSE	INSULATION ø 29 CONNECTED PART ø 16 O.D