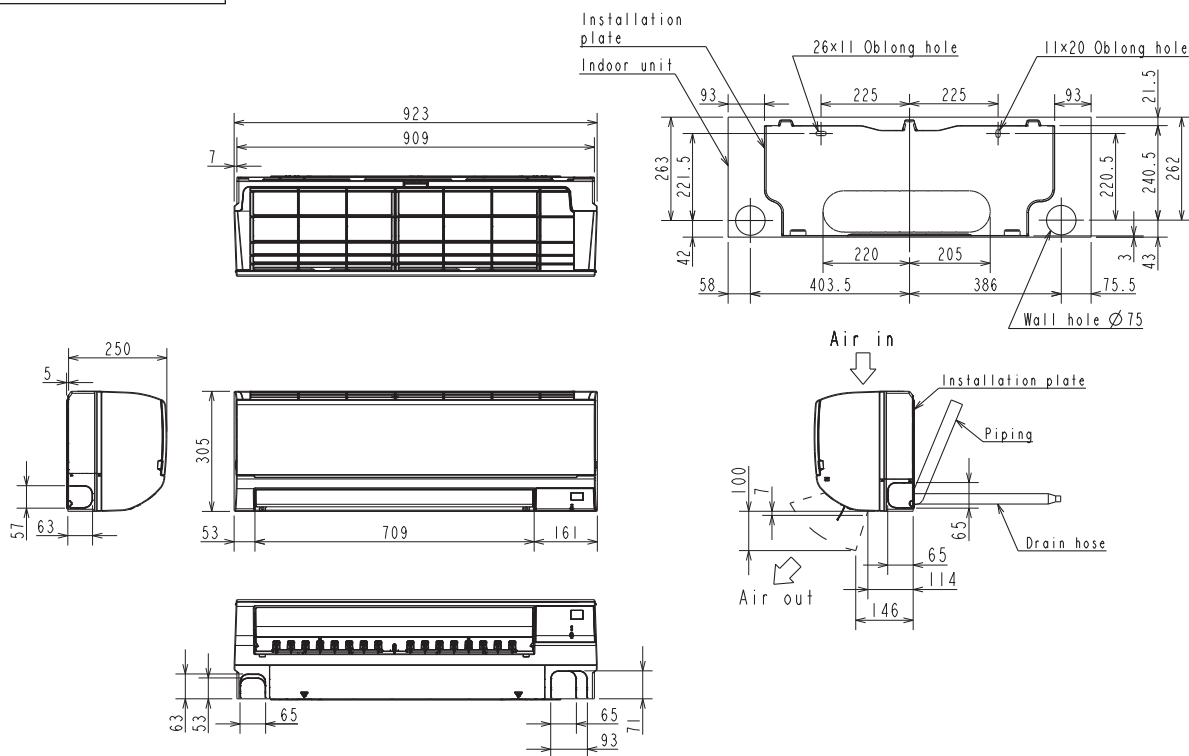


Unit: mm

MSY-TP35VF MSY-TP50VF

INDOOR UNIT



Piping	Insulation	ø50 O.D
	Liquid line	ø8 - 0.5m (Flared connection ø6.35)
	Gas line	ø12 - 0.45m (Flared connection ø9.52)
	Drain hose	Insulation ø29 Connected part ø16 O.D