

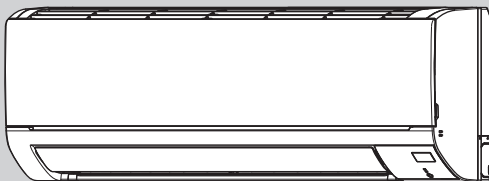
INDOOR UNIT PARTS CATALOG

**No. OBB816
REVISED EDITION-B**

Models

MSY-TP35VF - **E1**, **ET1**, **ER1**, **E2**

MSY-TP50VF - **E1**, **ET1**, **ER1**, **E2**



CONTENTS

1. SERVICE PARTS LIST	2
2. OPTIONAL PARTS	6

SERVICE MANUAL (OBH816)

Revision A:

• Some descriptions have been modified.

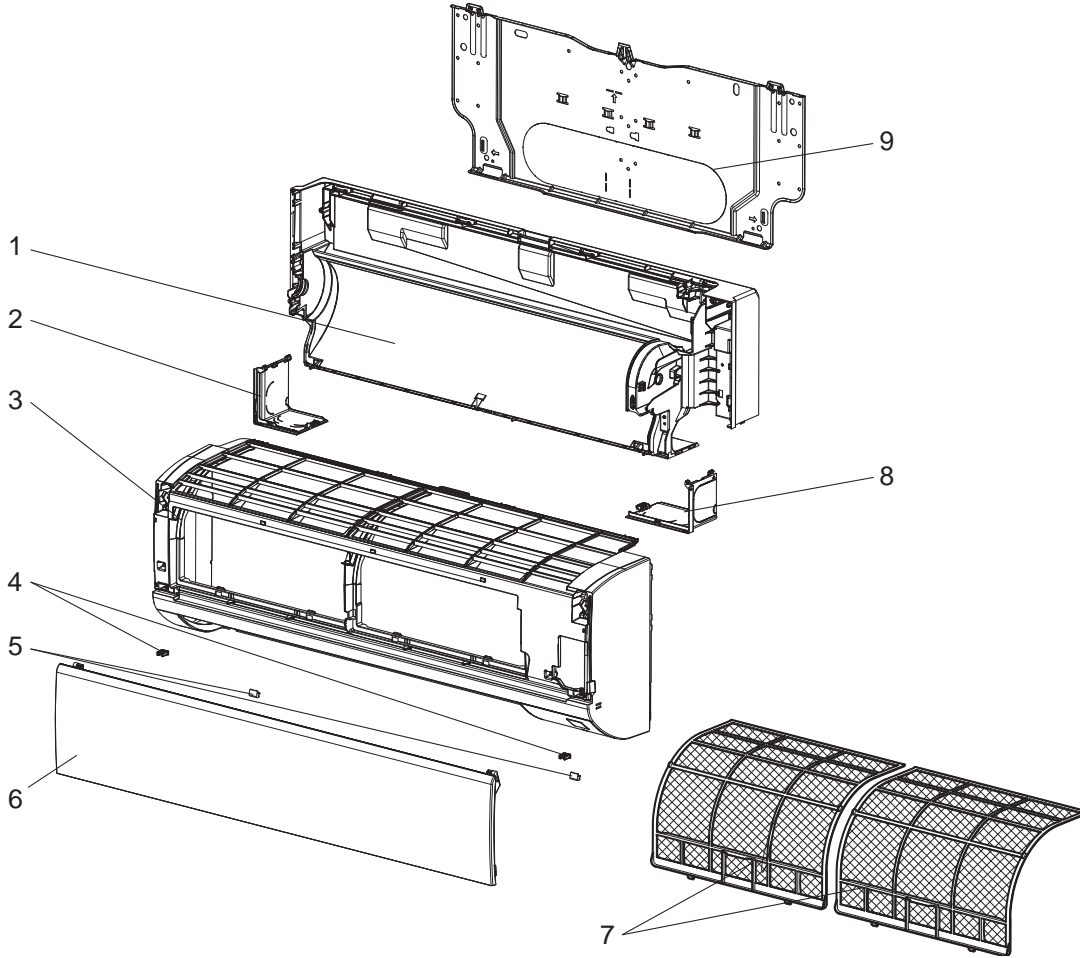
Revision B:

• MSY-TP35/50VF - **ER1**, **E2** have been added.

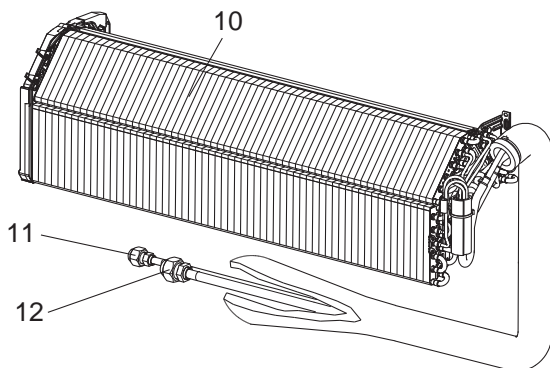
1 SERVICE PARTS LIST

MSY-TP35VF MSY-TP50VF

1-1. INDOOR UNIT STRUCTURAL PARTS



1-2. INDOOR UNIT HEAT EXCHANGER



1-1. INDOOR UNIT STRUCTURAL PARTS

1. The part quantity below indicates the required number of pieces per unit.

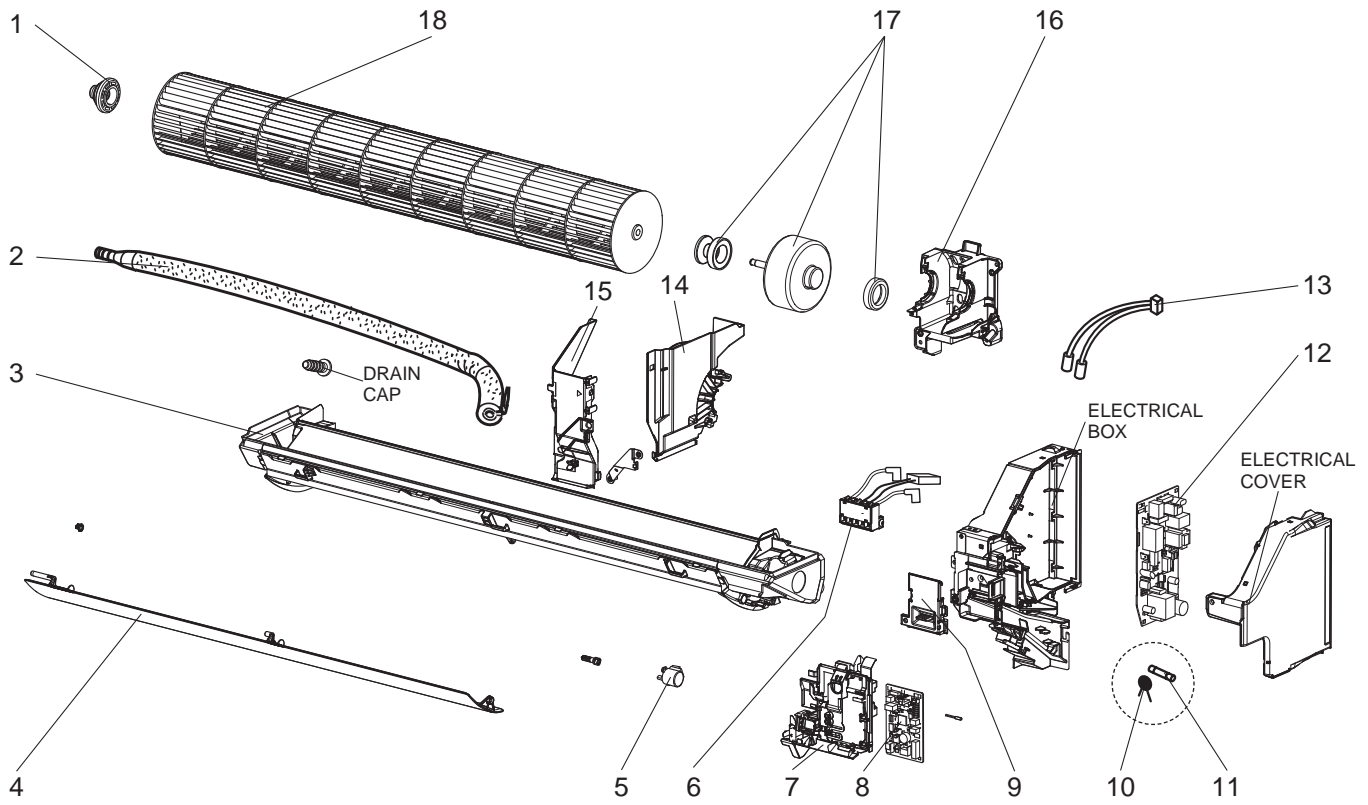
No.	Part No.	Part name									Symbol in Wiring Diagram	Remarks
			MSY-TP35VF - E1	MSY-TP35VF - E1	MSY-TP35VF - E1	MSY-TP35VF - E2	MSY-TP50VF - E1	MSY-TP50VF - E1	MSY-TP50VF - E1	MSY-TP50VF - E2		
1	E22 44C 234	BOX ASSEMBLY	1	1	1	1	1	1	1	1		
2	E22 98B 976	CORNER BOX LEFT	1	1	1	1	1	1	1	1		
3	E22 12F 000	PANEL ASSEMBLY	1	1			1	1				Includes No. 4, 5 and 6
3	E22 69X 000	PANEL ASSEMBLY			1				1			Includes No. 4, 5 and 6
3	E22 67X 000	PANEL ASSEMBLY				1				1		Includes No. 4, 5 and 6
4	E22 F95 142	CATCH	2	2	2	2	2	2	2	2		2 PCS/SET
5	E22 98B 067	SCREW CAP	2	2	2	2	2	2	2	2		2 PCS/SET
6	E22 12F 010	FRONT PANEL	1	1	1	1	1	1	1	1		
7	E22 N87 100	AIR FILTER	2	2	2	2	2	2	2	2		1 PC/SET
8	E22 98B 975	CORNER BOX RIGHT	1	1	1	1	1	1	1	1		
9	E22 N87 970	INSTALLATION PLATE	1	1	1	1	1	1	1	1		

1-2. INDOOR UNIT HEAT EXCHANGER

1. The part quantity below indicates the required number of pieces per unit.

No.	Part No.	Part name									Symbol in Wiring Diagram	Remarks
			MSY-TP35VF - E1	MSY-TP35VF - E1	MSY-TP35VF - E1	MSY-TP35VF - E2	MSY-TP50VF - E1	MSY-TP50VF - E1	MSY-TP50VF - E1	MSY-TP50VF - E2		
10	E22 R84 620	INDOOR HEAT EXCHANGER	1	1	1	1	1	1	1	1		
11	E22 151 667	UNION (LIQUID)	1	1	1	1	1	1	1	1		ø6.35
12	E22 151 666	UNION (GAS)	1	1	1	1	1	1	1	1		ø9.52

MSY-TP35VF MSY-TP50VF
1-3. INDOOR UNIT ELECTRICAL PARTS AND FUNCTIONAL PARTS



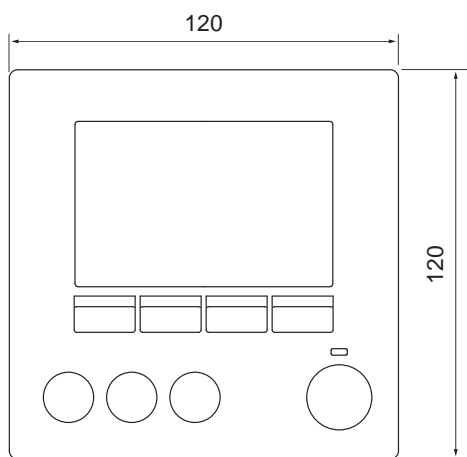
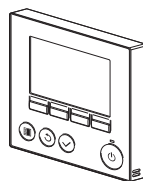
1-3. INDOOR UNIT ELECTRICAL PARTS AND FUNCTIONAL PARTS

1. The part quantity below indicates the required number of pieces per unit.

No.	Part No.	Part name	MSY-TP35VF - E1	MSY-TP35VF - E11	MSY-TP35VF - ER1	MSY-TP35VF - E2	MSY-TP50VF - E1	MSY-TP50VF - E11	MSY-TP50VF - ER1	MSY-TP50VF - E2	Symbol in Wiring Diagram	Remarks
1	E22 A89 509	BEARING MOUNT ASSEMBLY	1	1	1	1	1	1	1	1		Includes sleeve bearing
2	E22 P72 702	DRAIN HOSE	1	1	1	1	1	1	1	1		
3	E22 98B 235	NOZZLE ASSEMBLY	1	1	1	1	1	1	1	1		Full assembly except drain hose
4	E22 98B 040	HORIZONTAL VANE	1	1	1	1	1	1	1	1		
5	E22 N87 303	VANE MOTOR	1	1	1	1	1	1	1	1	MV	UP & DOWN, 1 PC/SET
6	E22 N87 375	TERMINAL BLOCK ASSEMBLY	1	1	1	1	1	1	1	1	TB	Includes THERMAL FUSE (F12)
7	E22 N87 095	CONTROL P.C. BOARD HOLDER ASSEMBLY	1	1	1	1	1	1	1	1		
8	E22 12F 452	ELECTRONIC CONTROL P.C. BOARD	1	1								Includes ROOM TEMPERATURE THERMISTOR (RT11)
8	E22 67X 452	ELECTRONIC CONTROL P.C. BOARD			1	1						Includes ROOM TEMPERATURE THERMISTOR (RT11)
8	E22 13F 452	ELECTRONIC CONTROL P.C. BOARD					1	1				Includes ROOM TEMPERATURE THERMISTOR (RT11)
8	E22 68X 452	ELECTRONIC CONTROL P.C. BOARD							1	1		Includes ROOM TEMPERATURE THERMISTOR (RT11)
9	E22 N87 784	V.A. CLAMP	1	1	1	1	1	1	1	1		
10	E22 B75 385	VARISTOR	1	1			1	1			NR11	
10	E22 K90 385	VARISTOR			1	1			1	1	NR11	
11	E22 A49 382	FUSE	1	1			1	1			F11	T3.15AL250V
11	E22 42J 382	FUSE			1	1			1	1	F11	T3.15AL250V
12	E22 12F 440	POWER P.C. BOARD	1	1			1	1				
12	E22 67X 440	POWER P.C. BOARD			1	1			1	1		
13	E22 R84 307	INDOOR COIL THERMISTOR	1	1	1	1	1	1	1	1	RT12,RT13	Combined type
14	E22 N87 333	MOTOR BAND	1	1	1	1	1	1	1	1		
15	E22 N87 541	WATER COVER	1	1	1	1	1	1	1	1		
16	E22 18A 333	MOTOR BED			1	1			1	1		
17	E22 J44 300	INDOOR FAN MOTOR	1	1			1	1			MF	RC0J30-□□ Includes FAN MOTOR RUBBER MOUNT (2 PCS/SET)
17	E22 29L 300	INDOOR FAN MOTOR			1	1			1	1	MF11	RC0J40-□□ Includes FAN MOTOR RUBBER MOUNT (2 PCS/SET)
18	E22 N87 302	LINE FLOW FAN	1	1	1	1	1	1	1	1		

2-1. WIRED REMOTE CONTROLLER HOLDER

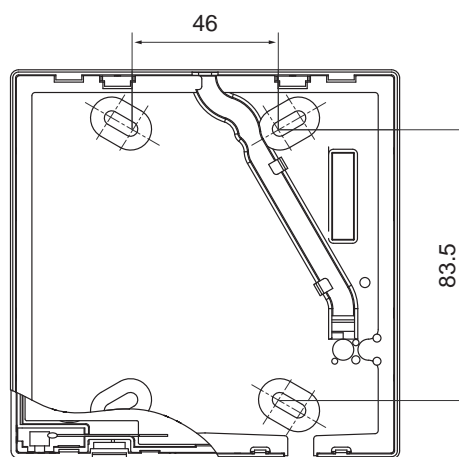
Model	Part No.
MSY-TP35VF MSY-TP50VF	PAR-33MAA



(Front view)



(Side view)



(Rear view)

Refer to the installation manual for the remote controller

MITSUBISHI ELECTRIC CORPORATION

HEAD OFFICE: TOKYO BUILDING, 2-7-3, MARUNOUCHI, CHIYODA-KU, TOKYO 100-8310, JAPAN

© Copyright 2018 MITSUBISHI ELECTRIC CORPORATION

Issued: Sep. 2022. No. OBB816 REVISED EDITION-B

Issued: Dec. 2019. No. OBB816 REVISED EDITION-A

Published: Oct. 2018. No. OBB816

Made in Japan

Specifications are subject to change without notice.