

**Revision B:**

• MLZ-KP25/35/50VG- **E1**, **ET1** have been added.

OBB801 is REVISED EDITION-A void.

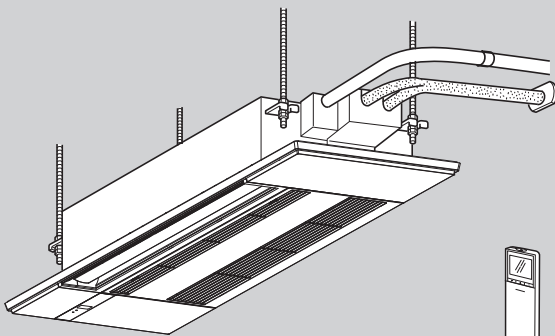
# INDOOR UNIT

**No. OBB801**  
**REVISED EDITION-B**

# PARTS CATALOG

## Models

<b>MLZ-KP25VF</b>	- <b>E1</b> , <b>ER1</b>
<b>MLZ-KP35VF</b>	- <b>E1</b> , <b>ER1</b>
<b>MLZ-KP50VF</b>	- <b>E1</b> , <b>ER1</b>
<b>MLZ-KP25VG</b>	- <b>E1</b> , <b>ET1</b>
<b>MLZ-KP35VG</b>	- <b>E1</b> , <b>ET1</b>
<b>MLZ-KP50VG</b>	- <b>E1</b> , <b>ET1</b>



MLZ-KP25VF  
MLZ-KP35VF  
MLZ-KP50VF  
MLZ-KP25VG  
MLZ-KP35VG  
MLZ-KP50VG

## CONTENTS

1. SERVICE PARTS LIST.....	2
2. OPTIONAL PARTS.....	10

## SERVICE MANUAL (OBH801)

**Revision A:**

• Some descriptions have been modified.

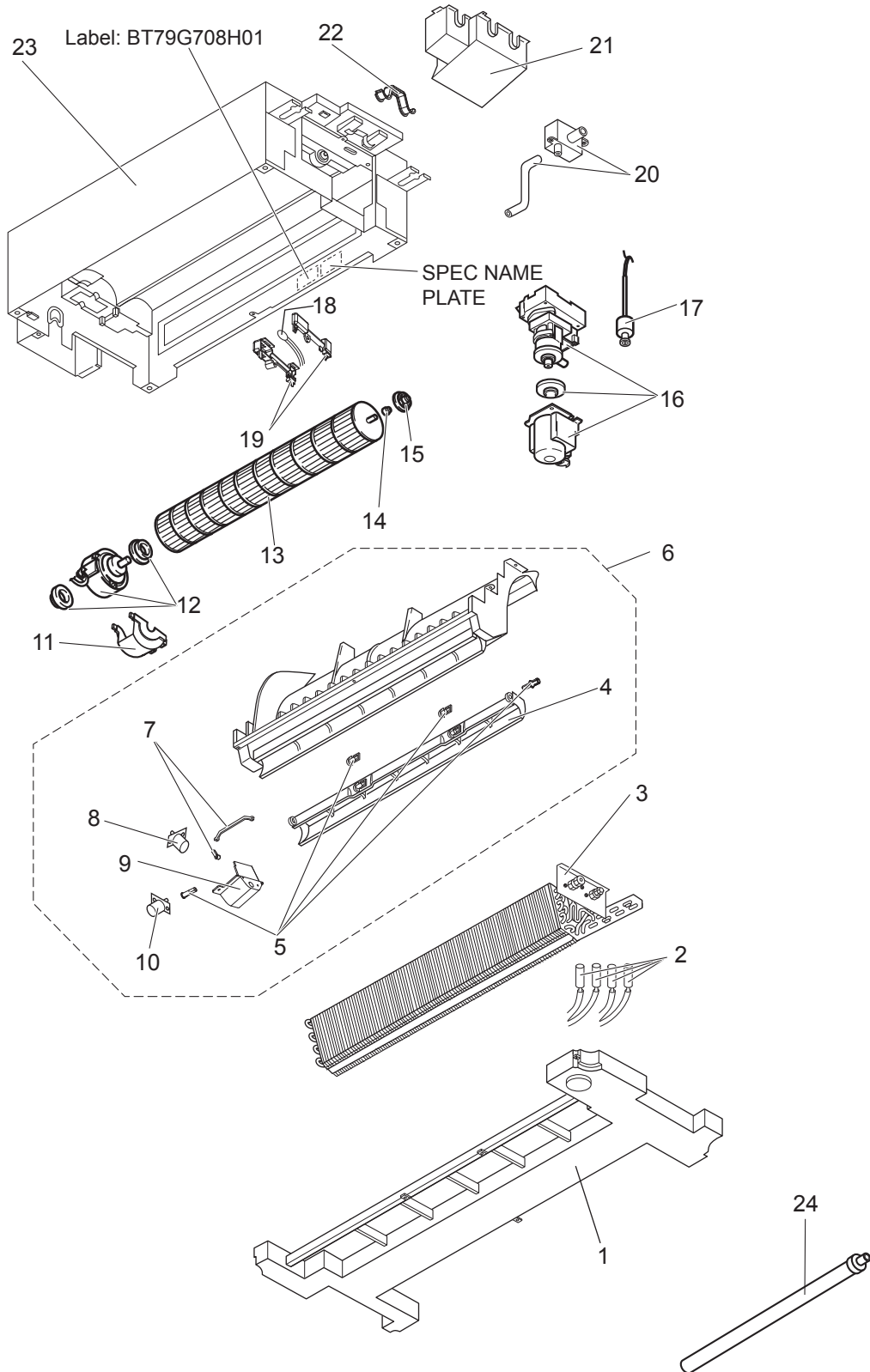
**Revision B:**

• MLZ-KP25/35/50VG- **E1**, **ET1** have been added.

**1 SERVICE PARTS LIST**

**MLZ-KP25VF MLZ-KP35VF MLZ-KP50VF**

**1-1. INDOOR UNIT STRUCTURAL PARTS AND FUNCTIONAL PARTS**



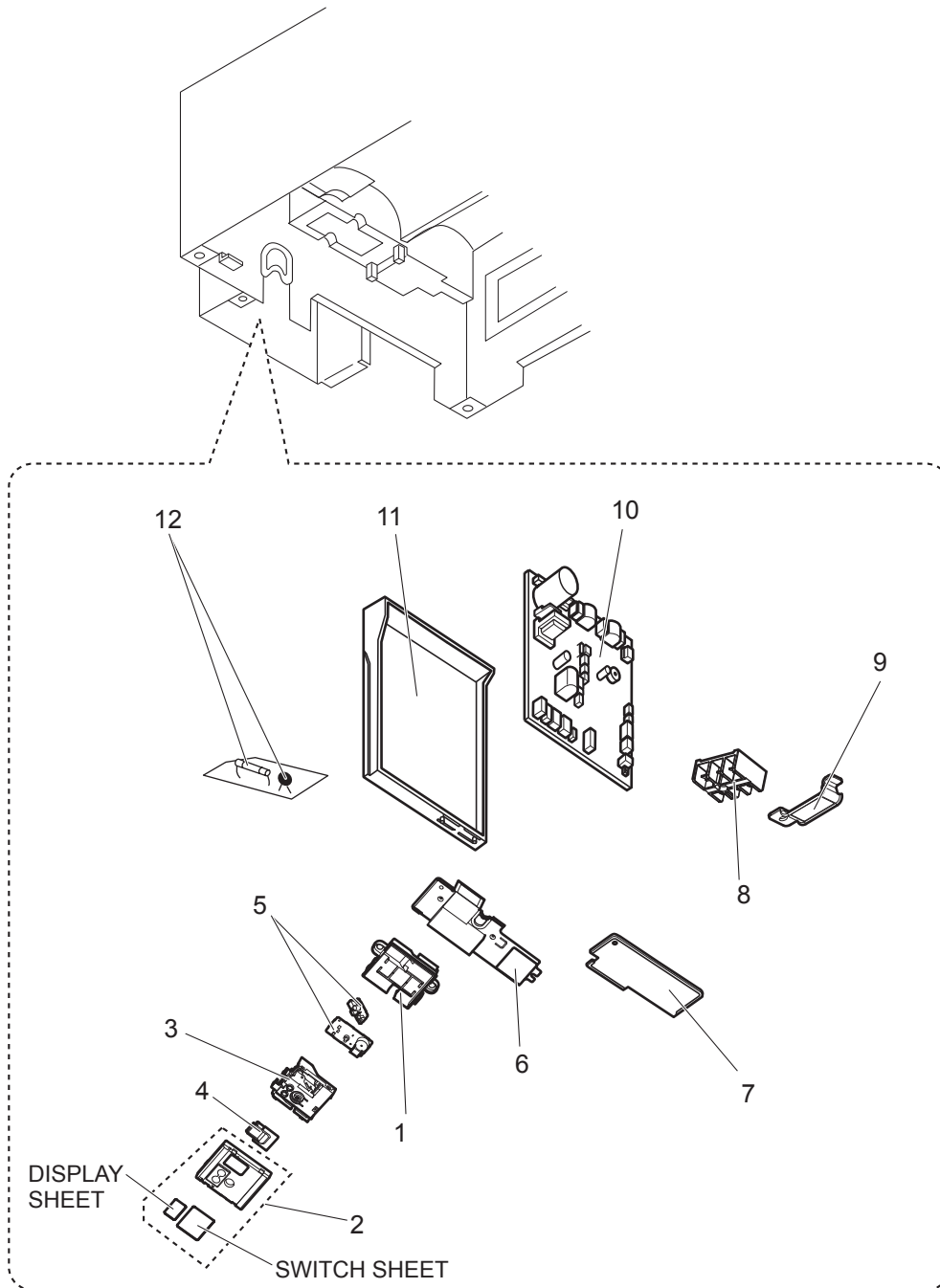
## 1-1. INDOOR UNIT STRUCTURAL PARTS AND FUNCTIONAL PARTS

1. The part quantity below indicates the required number of pieces per unit.

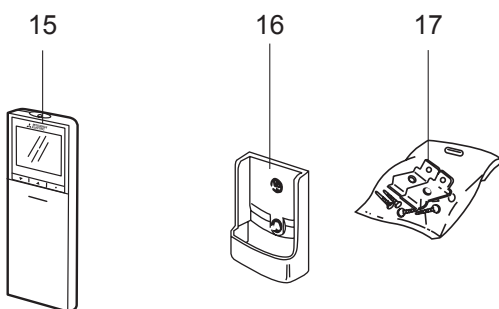
No.	Part No.	Part Name	MLZ-KP25VF- <input type="checkbox"/>	MLZ-KP25VF- <input type="checkbox"/>	MLZ-KP35VF- <input type="checkbox"/>	MLZ-KP35VF- <input type="checkbox"/>	MLZ-KP50VF- <input type="checkbox"/>	MLZ-KP50VF- <input type="checkbox"/>	Symbol in Wiring Diagram	Remarks
1	M21 EA4 700	DRAIN PAN	1	1	1	1	1	1		
2	M21 EAP 307	INDOOR COIL THERMISTOR	1	1	1	1			RT12,13	
2	M21 EAS 307	INDOOR COIL THERMISTOR					1	1	RT12,13,14	
2	M21 EAR 307	INDOOR COIL THERMISTOR					1	1	RT15	
3	M21 EJG 620	INDOOR HEAT EXCHANGER	1	1	1	1				
3	M21 EJF 620	INDOOR HEAT EXCHANGER					1	1		
4	M21 EAF 040	HORIZONTAL VANE	1	1	1	1	1	1		
5	M21 L9V 049	VANE SHAFT	1	1	1	1	1	1		
6	M21 EA4 279	STABILIZER ASSEMBLY	1	1	1	1	1	1		Including vertical vane
7	M21 L9V 915	LINK	1	1	1	1	1	1		CRANK SET
8	M21 L9V 306	VERTICAL VANE MOTOR	1	1	1	1	1	1	MV2	
9	M21 EA0 953	VANE MOTOR SUPPORT	1	1	1	1	1	1		
10	M21 EAL 306	HORIZONTAL VANE MOTOR	1	1	1	1	1	1	MV1	
11	M21 L9V 024	MOTOR BAND	1	1	1	1	1	1		
12	T2W ED4 300	INDOOR FAN MOTOR	1	1	1	1	1	1	MF	RC0J30-□□
13	M21 L9V 302	LINE FLOW FAN	1	1	1	1	1	1		
14	M21 L9V 504	SLEEVE BEARING	1	1	1	1	1	1		
15	M21 EA4 509	BEARING MOUNT	1	1	1	1	1	1		
16	T2W EA1 303	DRAIN PUMP SET	1	1	1	1	1	1	DP	Including CUSHION x 2, BASE, COVER SET
17	M21 L9V 312	FLOAT SENSOR	1	1	1	1	1	1	FS	
18	M21 EAG 307	ROOM TEMPERATURE THERMISTOR	1	1	1	1	1	1	RT11	
19	M21 L9V 783	SENSOR HOLDER	1	1	1	1	1	1		COVER, HOLDER SET
20	M21 EA2 703	DRAIN PIPE	1	1	1	1	1	1		
21	M21 L9V 249	DRAIN COVER	1	1	1	1	1	1		
22	M21 L9V 708	PIPE FIXING BAND	1	1	1	1				
22	M21 L3W 708	PIPE FIXING BAND					1	1		
23	—	CABINET ASSEMBLY	1	1	1	1	1	1		DT00A664G77 Not including SPECIFICATION LABEL
24	M21 EAE 703	DRAIN HOSE	1	1	1	1	1	1		

**MLZ-KP25VF MLZ-KP35VF MLZ-KP50VF**

**1-2. INDOOR UNIT ELECTRICAL PARTS AND FUNCTIONAL PARTS**



**1-3. ACCESSORY AND REMOTE CONTROLLER**



## 1-2. INDOOR UNIT ELECTRICAL PARTS AND FUNCTIONAL PARTS

- The part quantity below indicates the required number of pieces per unit.
- The circled No. indicates that the part is not shown in the figure.

No.	Part No.	Part Name	MLZ-KP25VF- <sup>E1</sup>	MLZ-KP25VF- <sup>ERT</sup>	MLZ-KP35VF- <sup>E1</sup>	MLZ-KP35VF- <sup>ERT</sup>	MLZ-KP50VF- <sup>E1</sup>	MLZ-KP50VF- <sup>ERT</sup>	Symbol in Wiring Diagram	Remarks
1	—	DL COVER ASSEMBLY	1	1	1	1	1	1		RK00C864G02
2	—	DISPLAY RECEIVER COVER ASSEMBLY	1							RK00G135G18
2	—	DISPLAY RECEIVER COVER ASSEMBLY		1						RK00G135G21
2	—	DISPLAY RECEIVER COVER ASSEMBLY			1					RK00G135G19
2	—	DISPLAY RECEIVER COVER ASSEMBLY				1				RK00G135G22
2	—	DISPLAY RECEIVER COVER ASSEMBLY					1			RK00G135G20
2	—	DISPLAY RECEIVER COVER ASSEMBLY						1		RK00G135G23
3	—	DISPLAY RECEIVER HOLDER	1	1	1	1	1	1		BK25V915G02
4	—	RECEIVER COVER	1	1	1	1	1	1		BK25V917G02
5	T2W EA6 326	DISPLAY RECEIVER P.C. BOARD ASSEMBLY	1	1	1	1	1	1		
6	—	PB COVER ASSEMBLY	1		1		1			RK00C861G03
6	—	PB COVER ASSEMBLY		1		1		1		RK00C861G04
7	—	TB COVER ASSEMBLY	1		1					JG00G689G35
7	—	TB COVER ASSEMBLY					1			JG00G689G36
7	—	TB COVER ASSEMBLY		1		1				JG00G689G37
7	—	TB COVER ASSEMBLY						1		JG00G689G38
8	M21 EA3 376	TERMINAL BLOCK	1	1	1	1	1	1	TB	3P
9	M21 N2A 784	VA CLAMP	1	1	1	1	1	1		
10	T2W F76 450	ELECTRONIC CONTROL P.C. BOARD	1	1						
10	T2W F77 450	ELECTRONIC CONTROL P.C. BOARD			1	1				
10	T2W F78 450	ELECTRONIC CONTROL P.C. BOARD					1	1		
11	M21 L9V 784	ELECTRONIC CONTROL P.C. BOARD BOX	1	1	1	1	1	1		
12	M21 EA5 313	FUSE VARISTOR SET	1	1	1	1	1	1	F11, NR11	T3.15AL250V
⑬	—	LEAD WIRE ASSEMBLY (DISPLAY RECEIVER P.C. BOARD)	1	1	1	1	1	1		BT78G837G01
⑭	—	LEAD WIRE ASSEMBLY (VANE MOTOR)	1	1	1	1	1	1		DY00C301G02

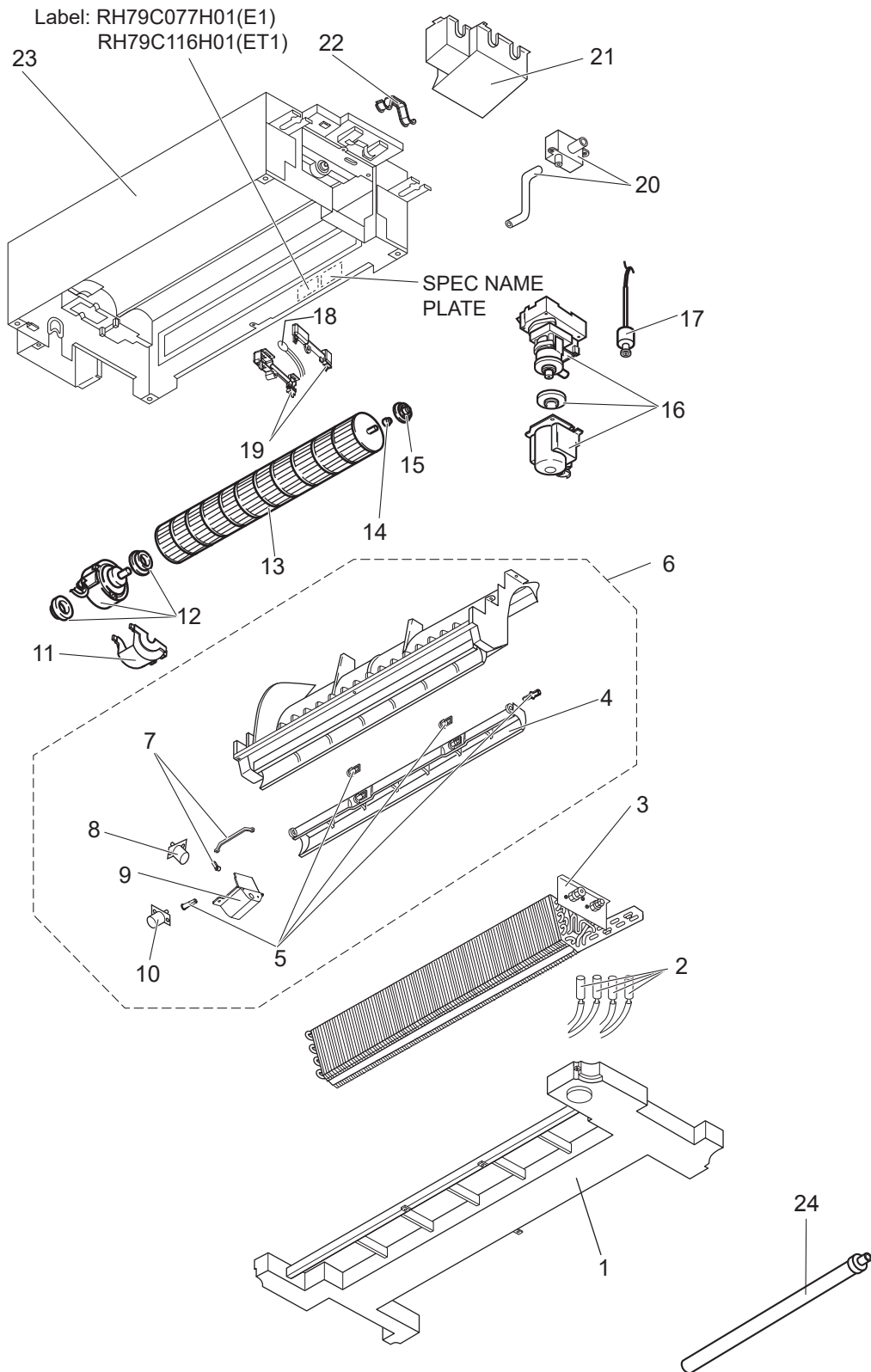
## 1-3. ACCESSORY AND REMOTE CONTROLLER

- The part quantity below indicates the required number of pieces per unit.

No.	Part No.	Part Name	MLZ-KP25VF- <sup>E1</sup>	MLZ-KP25VF- <sup>ERT</sup>	MLZ-KP35VF- <sup>E1</sup>	MLZ-KP35VF- <sup>ERT</sup>	MLZ-KP50VF- <sup>E1</sup>	MLZ-KP50VF- <sup>ERT</sup>	Symbol in Wiring Diagram	Remarks
15	T2W EEE 426	REMOTE CONTROLLER	1	1	1	1	1	1		SG175
16	T2W EA0 083	REMOTE CONTROLLER HOLDER	1	1	1	1	1	1		
17	M21 EA6 250	SCREW ASSEMBLY	1	1	1	1	1	1		

MLZ-KP25VG MLZ-KP35VG MLZ-KP50VG

1-4. INDOOR UNIT STRUCTURAL PARTS AND FUNCTIONAL PARTS

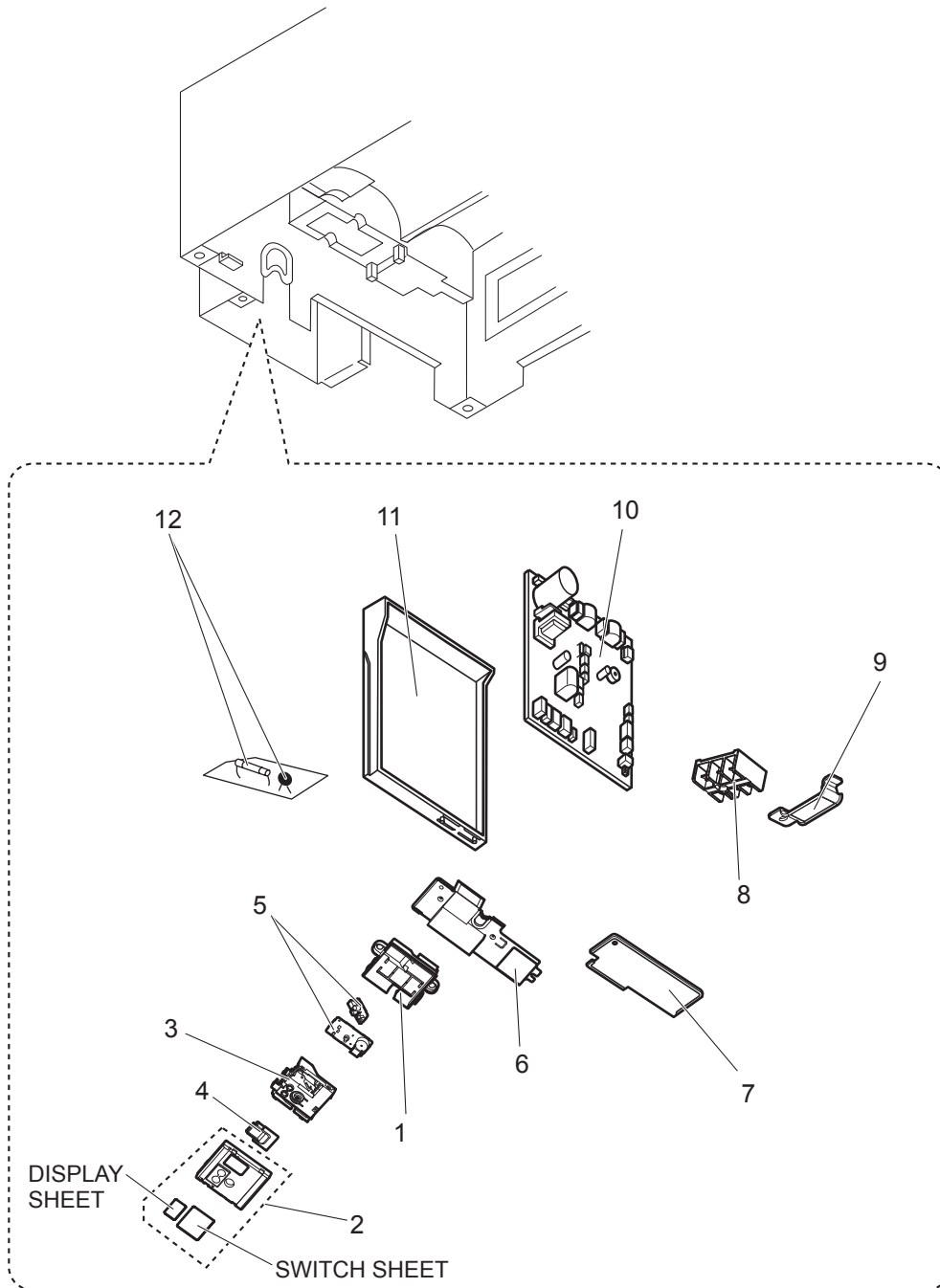


## 1-4. INDOOR UNIT STRUCTURAL PARTS AND FUNCTIONAL PARTS

1. The part quantity below indicates the required number of pieces per unit.

No.	Part No.	Part Name	MLZ-KP25VG-ET	MLZ-KP25VG-ET1	MLZ-KP35VG-ET	MLZ-KP35VG-ET1	MLZ-KP50VG-ET	MLZ-KP50VG-ET1	Symbol in Wiring Diagram	Remarks
1	M21 EA4 700	DRAIN PAN	1	1	1	1	1	1		
2	M21 EB4 307	INDOOR COIL THERMISTOR	1	1	1	1			RT12,13	
2	M21 EAS 307	INDOOR COIL THERMISTOR					1	1	RT12,13,14	
2	M21 EB5 307	INDOOR COIL THERMISTOR					1	1	RT15	
3	T2W EMD 620	INDOOR HEAT EXCHANGER	1	1	1	1				
3	T2W EME 620	INDOOR HEAT EXCHANGER					1	1		
4	M21 EAF 040	HORIZONTAL VANE	1	1	1	1	1	1		
5	M21 L9V 049	VANE SHAFT	1	1	1	1	1	1		
6	M21 EA4 279	STABILIZER ASSEMBLY	1	1	1	1	1	1		Including vertical vane
7	M21 L9V 915	LINK	1	1	1	1	1	1		CRANK SET
8	M21 L9V 306	VERTICAL VANE MOTOR	1	1	1	1	1	1	MV2	
9	M21 EA0 953	VANE MOTOR SUPPORT	1	1	1	1	1	1		
10	M21 EAL 306	HORIZONTAL VANE MOTOR	1	1	1	1	1	1	MV1	
11	M21 L9V 024	MOTOR BAND	1	1	1	1	1	1		
12	T2W EFH 300	INDOOR FAN MOTOR	1	1	1	1	1	1	MF	RC0J30-□□
13	T2W EBD 302	LINE FLOW FAN	1	1	1	1	1	1		
14	M21 L9V 504	SLEEVE BEARING	1	1	1	1	1	1		
15	M21 EA4 509	BEARING MOUNT	1	1	1	1	1	1		
16	T2W EA1 303	DRAIN PUMP SET	1	1	1	1	1	1	DP	Including CUSHION x 2, SCREW x 2, BASE, COVER SET, Not including FLOAT SENSOR
17	M21 L9V 312	FLOAT SENSOR	1	1	1	1	1	1	FS	
18	M21 EAG 307	ROOM TEMPERATURE THERMISTOR	1	1	1	1	1	1	RT11	
19	M21 L9V 783	SENSOR HOLDER	1	1	1	1	1	1		COVER, HOLDER SET
20	M21 EA2 703	DRAIN PIPE	1	1	1	1	1	1		PIPE, SOCKET SET
21	M21 L9V 249	DRAIN COVER	1	1	1	1	1	1		
22	M21 L9V 708	PIPE FIXING BAND	1	1	1	1				
22	M21 L3W 708	PIPE FIXING BAND					1	1		
23	—	CABINET ASSEMBLY	1	1	1	1	1	1		DT00A664GD6 Not including SPECIFICATION LABEL
24	M21 EAE 703	DRAIN HOSE	1	1	1	1	1	1		

**MLZ-KP25VG MLZ-KP35VG MLZ-KP50VG**  
**1-5. INDOOR UNIT ELECTRICAL PARTS AND FUNCTIONAL PARTS**



**1-6. ACCESSORY AND REMOTE CONTROLLER**



OBB801B



## 1-5. INDOOR UNIT ELECTRICAL PARTS AND FUNCTIONAL PARTS

- The part quantity below indicates the required number of pieces per unit.
- The circled No. indicates that the part is not shown in the figure.

No.	Part No.	Part Name	MLZ-KP25VG-ET1	MLZ-KP25VG-ET1	MLZ-KP35VG-ET1	MLZ-KP35VG-ET1	MLZ-KP50VG-ET1	MLZ-KP50VG-ET1	Symbol in Wiring Diagram	Remarks
1	—	DL COVER ASSEMBLY	1	1	1	1	1	1		RK00C864G02
2	—	DISPLAY RECEIVER COVER ASSEMBLY	1	1						RK00G135G96
2	—	DISPLAY RECEIVER COVER ASSEMBLY			1	1				RK00G135G97
2	—	DISPLAY RECEIVER COVER ASSEMBLY					1	1		RK00G135G98
3	—	DISPLAY RECEIVER HOLDER	1	1	1	1	1	1		BK25V915G02
4	—	RECEIVER COVER	1	1	1	1	1	1		BK25V917G02
5	T2W EB7 328	DISPLAY RECEIVER P.C. BOARD ASSEMBLY	1	1	1	1	1	1		
6	—	PB COVER ASSEMBLY	1		1		1			RK00C861G06
6	—	PB COVER ASSEMBLY		1		1		1		RK00C861G09
7	—	TB COVER ASSEMBLY	1		1					DG00T694G07
7	—	TB COVER ASSEMBLY					1			DG00T694G08
7	—	TB COVER ASSEMBLY		1		1				DG00T694G09
7	—	TB COVER ASSEMBLY						1		DG00T694G10
8	M21 EA3 376	TERMINAL BLOCK	1	1	1	1	1	1	TB	3P
9	M21 N2A 784	VA CLAMP	1	1	1	1	1	1		
10	T2W FRK 450	ELECTRONIC CONTROL P.C. BOARD	1	1						
10	T2W FRL 450	ELECTRONIC CONTROL P.C. BOARD			1	1				
10	T2W FRM 450	ELECTRONIC CONTROL P.C. BOARD					1	1		
11	M21 L9V 784	ELECTRONIC CONTROL P.C. BOARD BOX	1	1	1	1	1	1		
12	M21 EA5 313	FUSE VARISTOR SET	1	1	1	1	1	1	F11, NR11	T3.15AL250V
⑬	—	LEAD WIRE ASSEMBLY (DISPLAY RECEIVER P.C. BOARD)	1	1	1	1	1	1		BT78G837G02
⑭	—	LEAD WIRE ASSEMBLY (VANE MOTOR)	1	1	1	1	1	1		DY00C301G02

## 1-6. ACCESSORY AND REMOTE CONTROLLER

- The part quantity below indicates the required number of pieces per unit.

No.	Part No.	Part Name	MLZ-KP25VG-ET1	MLZ-KP25VG-ET1	MLZ-KP35VG-ET1	MLZ-KP35VG-ET1	MLZ-KP50VG-ET1	MLZ-KP50VG-ET1	Symbol in Wiring Diagram	Remarks
15	T2W EGN 426	REMOTE CONTROLLER	1	1	1	1	1	1		SH21E

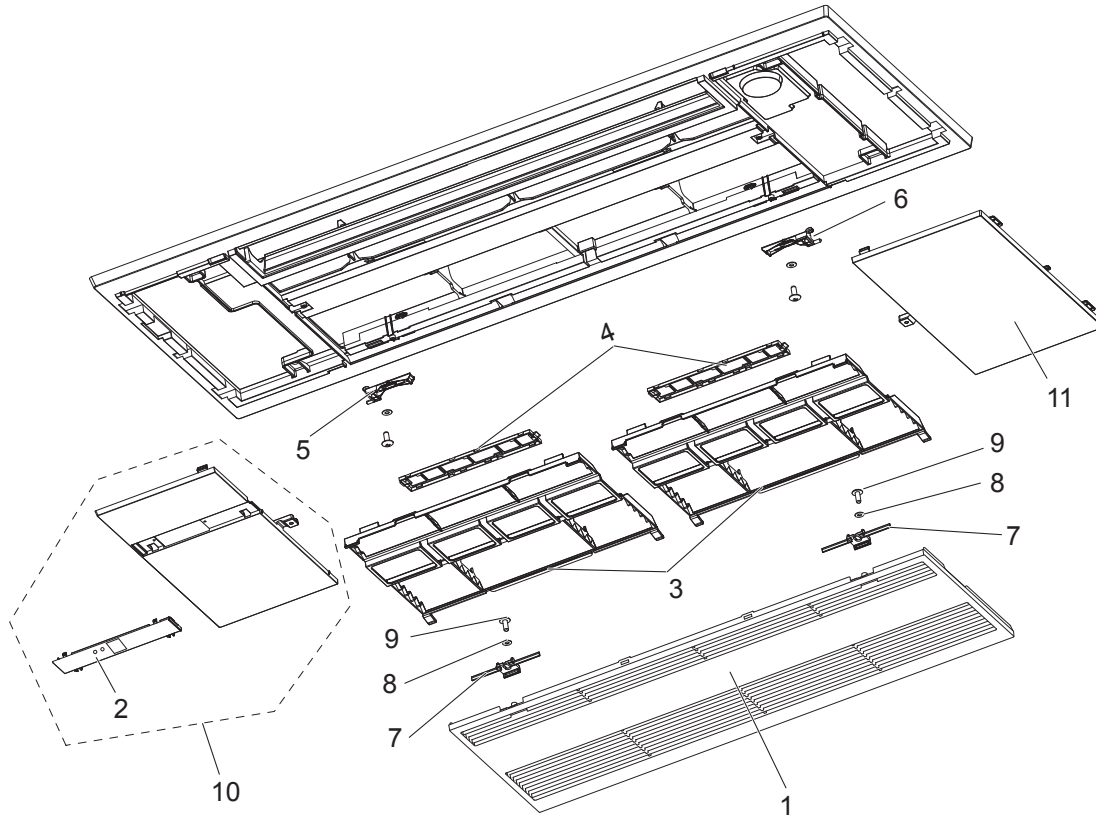
## 2

## OPTIONAL PARTS

MLZ-KP25VF MLZ-KP35VF MLZ-KP50VF

### 2-1. GRILLE

MLP-444W: MLZ-KP-VF-E1, ER1



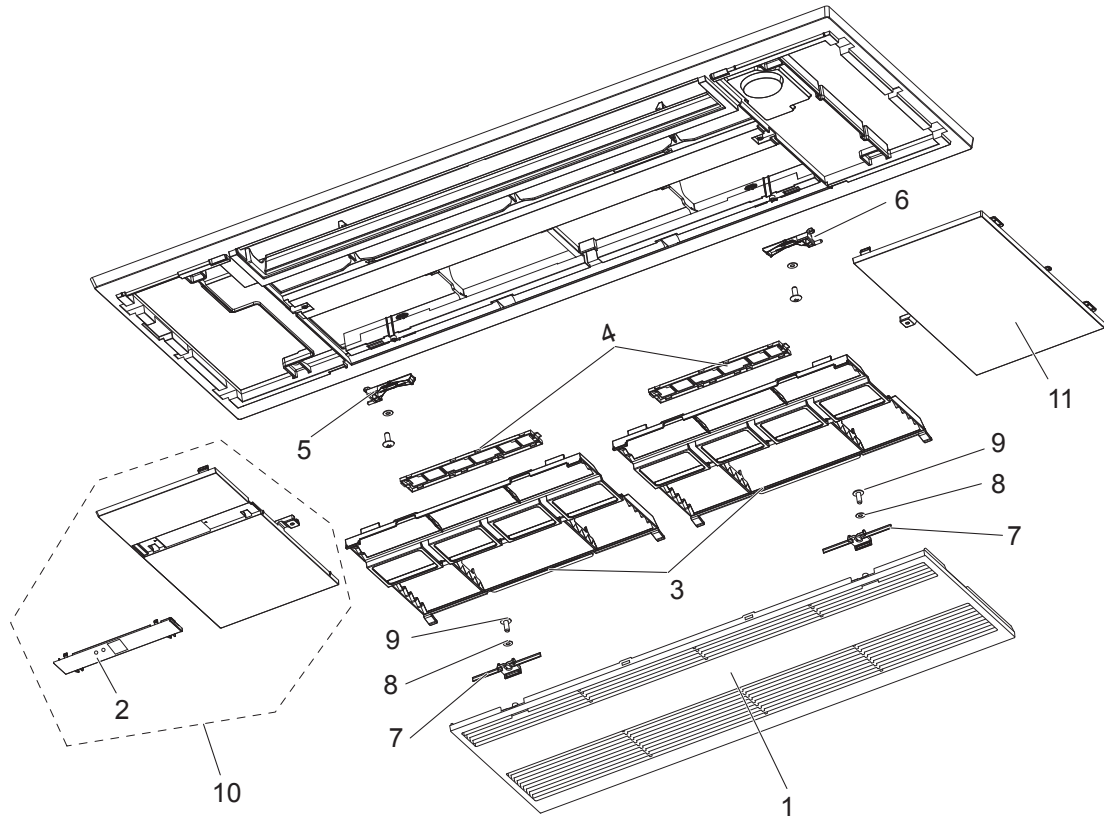
1. The part quantity below indicates the required number of pieces per unit.

2. The circled No. indicates that the part is not shown in the figure.

No.	Part No.	Part Name	MLZ-KP25VF- <span style="border: 1px solid black; padding: 0 2px;">E1</span>	MLZ-KP25VF- <span style="border: 1px solid black; padding: 0 2px;">ER1</span>	MLZ-KP35VF- <span style="border: 1px solid black; padding: 0 2px;">E1</span>	MLZ-KP35VF- <span style="border: 1px solid black; padding: 0 2px;">ER1</span>	MLZ-KP50VF- <span style="border: 1px solid black; padding: 0 2px;">E1</span>	MLZ-KP50VF- <span style="border: 1px solid black; padding: 0 2px;">ER1</span>	Symbol in Wiring Diagram	Remarks
1	M21 ECA 010	GRILLE ASSEMBLY (W)	1	1	1	1	1	1		
2	T2W EB0 093	DISPLAY COVER SET	1	1	1	1	1	1		
3	M21 EBF 100	AIR FILTER (AIR PURIFYING FILTER)	2	2	2	2	2	2		
4	—	AIR CLEANING FILTER (SILVER-IONIZED AIR PURIFIER FILTER)	1	1	1	1	1	1		MAC-2370FT-E
5	M21 EA0 054	GRILLE SHAFT L	1	1	1	1	1	1		
6	M21 EA1 054	GRILLE SHAFT R	1	1	1	1	1	1		
7	M21 EAC 049	GRILLE KNOB (W)	2	2	2	2	2	2		
8	—	WASHER	2	2	2	2	2	2		Z006Z051H07
9	—	SCREW	2	2	2	2	2	2		Z004Z015H37
10	T2W EA6 975	SIDE PANEL L ASSEMBLY (W)	1	1	1	1	1	1		
11	M21 EAZ 976	SIDE PANEL R ASSEMBLY (W)	1	1	1	1	1	1		
⑫	M21 EAF 067	SCREW CAP (W)	1	1	1	1	1	1		
⑬	M21 EA9 250	SCREW ASSEMBLY	1	1	1	1	1	1		

**MLZ-KP25VG MLZ-KP35VG MLZ-KP50VG  
GRILLE**

**MLP-444W: MLZ-KP-VG-E1, ET1**



1. The part quantity below indicates the required number of pieces per unit.
2. The circled No. indicates that the part is not shown in the figure.

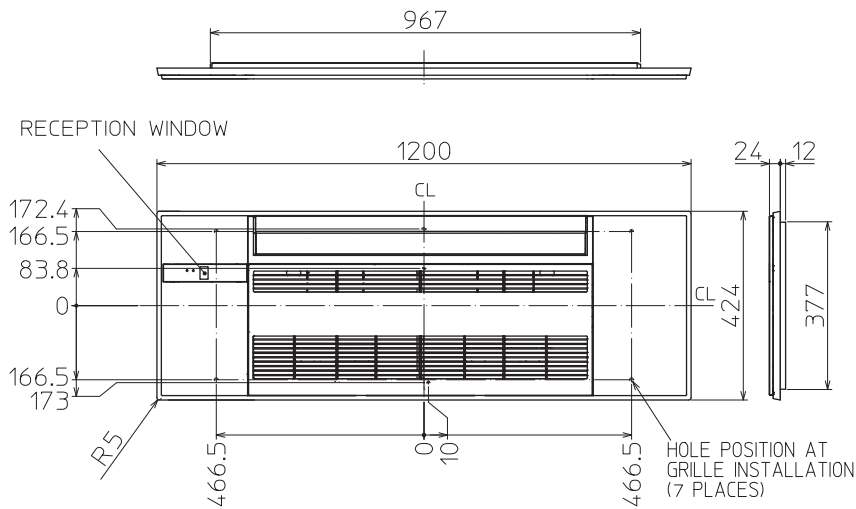
No.	Part No.	Part Name	MLZ-KP25VG-	MLZ-KP25VG-	MLZ-KP35VG-	MLZ-KP35VG-	MLZ-KP50VG-	MLZ-KP50VG-	Symbol in Wiring Diagram	Remarks
			<span style="border: 1px solid black; padding: 0 2px;">E1</span>	<span style="border: 1px solid black; padding: 0 2px;">ET1</span>	<span style="border: 1px solid black; padding: 0 2px;">E1</span>	<span style="border: 1px solid black; padding: 0 2px;">ET1</span>	<span style="border: 1px solid black; padding: 0 2px;">E1</span>	<span style="border: 1px solid black; padding: 0 2px;">ET1</span>		
1	M21 ECA 010	GRILLE ASSEMBLY (W)	1	1	1	1	1	1		
2	T2W EB0 093	DISPLAY COVER SET	1	1	1	1	1	1		
3	M21 EBF 100	AIR FILTER (AIR PURIFYING FILTER)	2	2	2	2	2	2		
4	—	AIR CLEANING FILTER (V BLOCKING FILTER)	1	1	1	1	1	1		MAC-2470FT-E
5	M21 EA0 054	GRILLE SHAFT L	1	1	1	1	1	1		
6	M21 EA1 054	GRILLE SHAFT R	1	1	1	1	1	1		
7	M21 EAC 049	GRILLE KNOB (W)	2	2	2	2	2	2		
8	—	WASHER	2	2	2	2	2	2		Z006Z051H07
9	—	SCREW	2	2	2	2	2	2		Z004Z015H37
10	T2W EA6 975	SIDE PANEL L ASSEMBLY (W)	1	1	1	1	1	1		
11	M21 EAZ 976	SIDE PANEL R ASSEMBLY (W)	1	1	1	1	1	1		
⑫	M21 EAF 067	SCREW CAP (W)	1	1	1	1	1	1		
⑬	M21 EA9 250	SCREW ASSEMBLY	1	1	1	1	1	1		

## GRILLE: MLP-444W

### 1.SPECIFICATION

ITEM		CONTENTS
EXTERIOR	COLOR(MUNSELL NO.)	WHITE(4.0GY 9.1/0.2)
	SURFACE TREATMENT	NONE
	MATERIAL	ABS RESIN
MASS		3.5kg

### 2.OUTLINE DRAWING

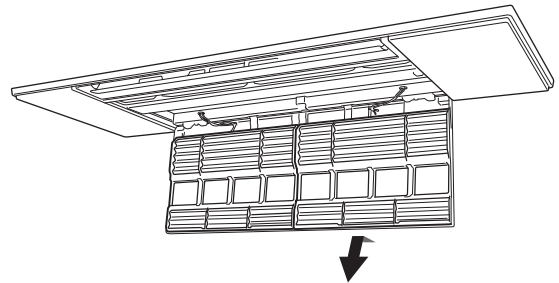


### 2-2. AIR FILTER (AIR PURIFYING FILTER)

- Clean every 2 weeks
- Remove dirt by a vacuum cleaner, or rinse with water.
- Dry it well in shade before installing it.
- Install the tabs into the intake grille hole.

#### NOTE:

- Clean the filters regularly for best performance and to reduce power consumption.
- Dirty filters cause condensation in the air conditioner which will contribute to the growth of fungi such as mold.



### 2-3. REMOTE CONTROLLER HOLDER



Model	Part No.
MLZ-KP25VG- [E1], [ET1]	MAC-1300RC-E
MLZ-KP35VG- [E1], [ET1]	
MLZ-KP50VG- [E1], [ET1]	

## 2-4. AIR CLEANING FILTER (SILVER-IONIZED AIR PURIFIER FILTER)

### Back side of air filter

#### Clean every 3 months:

- Remove dirt by a vacuum cleaner.
- Install the tabs into the intake grille hole.

#### When dirt cannot be removed by vacuum cleaning:

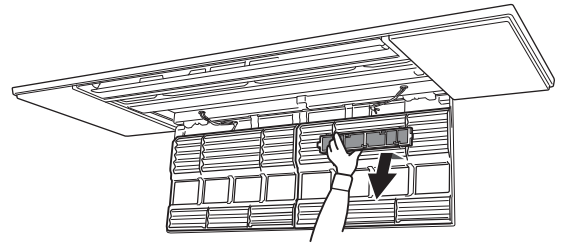
- Soak the filter and its frame in lukewarm water before rinsing it.  
(Diluted mild detergents can be used when dirt cannot be removed.)
- After washing, dry it well in shade.

#### Every year:

- Replace it with a new air cleaning filter for best performance.

#### NOTE:

- Clean the filters regularly for best performance and to reduce power consumption.
- Dirty filters cause condensation in the air conditioner which will contribute to the growth of fungi such as mold.



Model	Part No.
MLZ-KP25VF- [E1], [ER1]	MAC-2370FT-E
MLZ-KP35VF- [E1], [ER1]	
MLZ-KP50VF- [E1], [ER1]	
MLZ-KP25VG- [E1], [ET1]	
MLZ-KP35VG- [E1], [ET1]	
MLZ-KP50VG- [E1], [ET1]	

## 2-5. AIR CLEANING FILTER (V BLOCKING FILTER)

### Back side of air filter

#### Clean every 3 months:

- Remove dirt by a vacuum cleaner.
- Install the tabs into the intake grille hole.

#### When dirt cannot be removed by vacuum cleaning:

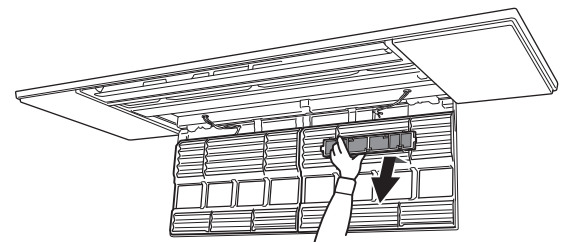
- Soak the filter and its frame in lukewarm water before rinsing it.  
(Diluted mild detergents can be used when dirt cannot be removed.)
- After washing, dry it well in shade.

#### Every year:

- Replace it with a new air cleaning filter for best performance.

#### NOTE:

- Clean the filters regularly for best performance and to reduce power consumption.
- Dirty filters cause condensation in the air conditioner which will contribute to the growth of fungi such as mold. It is therefore recommended to clean air filters every 2 weeks.



Model	Part No.
MLZ-KP25VG- [E1], [ET1]	MAC-2470FT-E
MLZ-KP35VG- [E1], [ET1]	
MLZ-KP50VG- [E1], [ET1]	

# MITSUBISHI ELECTRIC CORPORATION

HEAD OFFICE: TOKYO BUILDING, 2-7-3, MARUNOUCHI, CHIYODA-KU, TOKYO 100-8310, JAPAN

© Copyright 2018 MITSUBISHI ELECTRIC CORPORATION

Issued in Dec. 2023 No. OBB801 REVISED EDITION-B

Issued in Mar. 2019 No. OBB801 REVISED EDITION-A

Published in Feb. 2018 No. OBB801

Made in Japan

Specifications are subject to change without notice.