

# SERVICE PARTS LIST FOR MITSUBISHI ELECTRIC PACKAGED AIR-CONDITIONERS

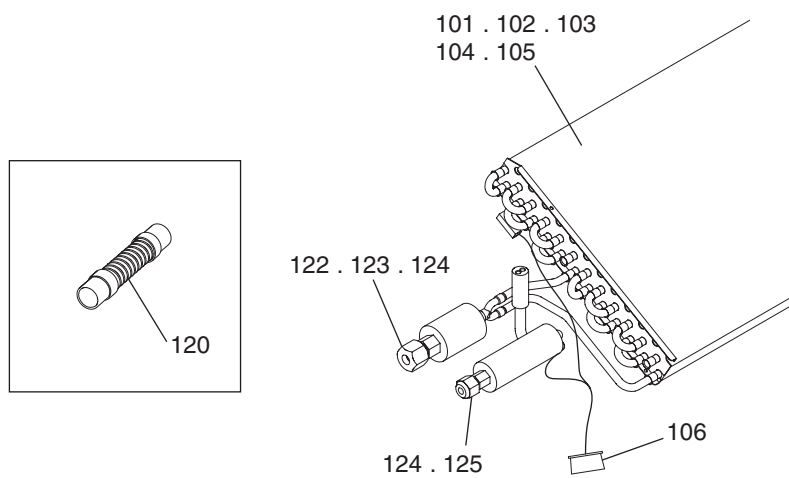
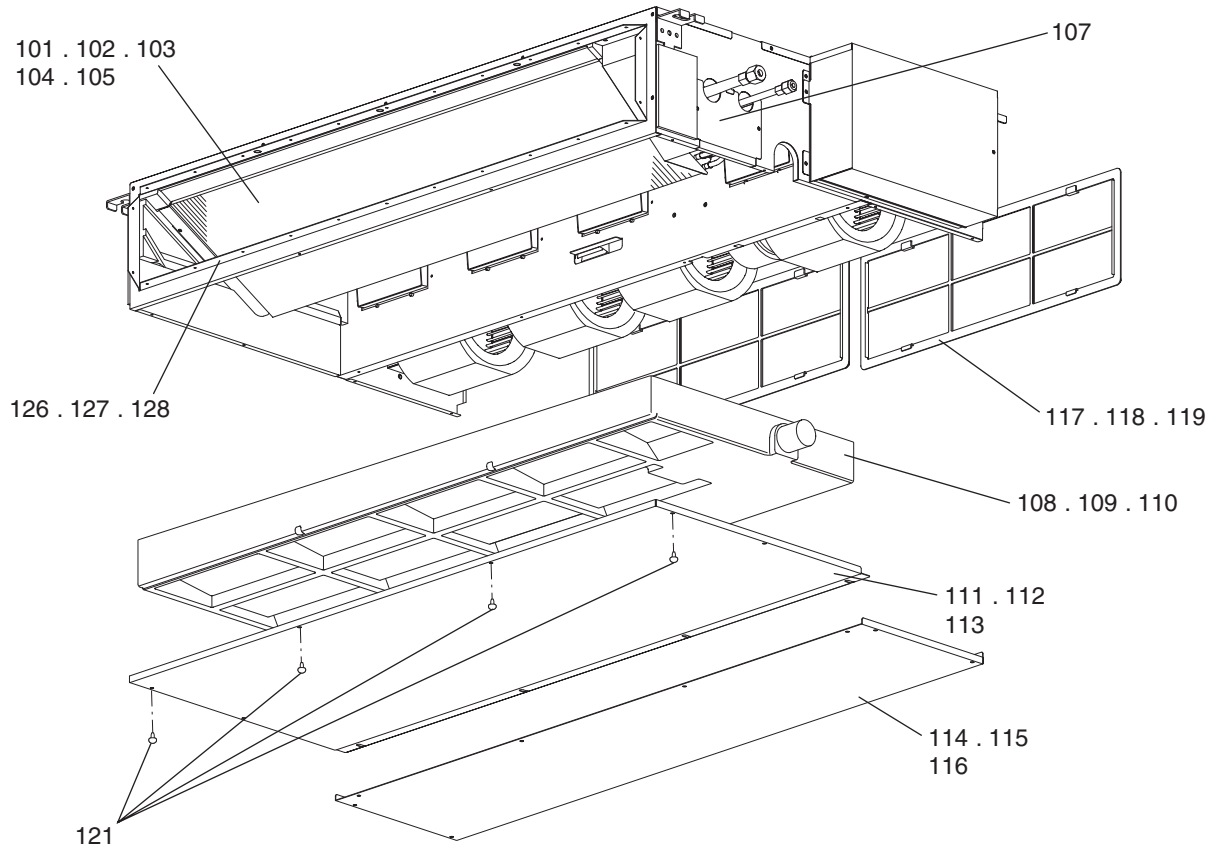
Series : SEZ-M•DA(L)2.TH  
SEZ-M•DA2-ER.TH  
SEZ-M•DA2-ET.TH

Apr.2021  
BWE020240

INDEX	
SEZ-M25DA2.TH	SEZ-M25DA2-ER.TH
SEZ-M35DA2.TH	SEZ-M35DA2-ER.TH
SEZ-M50DA2.TH	SEZ-M50DA2-ER.TH
SEZ-M60DA2.TH	SEZ-M60DA2-ER.TH
SEZ-M71DA2.TH	SEZ-M71DA2-ER.TH
SEZ-M25DAL2.TH	SEZ-M25DA2-ET.TH
SEZ-M35DAL2.TH	SEZ-M35DA2-ET.TH
SEZ-M50DAL2.TH	SEZ-M50DA2-ET.TH
SEZ-M60DAL2.TH	SEZ-M60DA2-ET.TH
SEZ-M71DAL2.TH	SEZ-M71DA2-ET.TH

SEZ-M25,M35,M50,M60,M71DA(L)2.TH  
SEZ-M25,M35,M50,M60,M71DA2-ER.TH  
SEZ-M25,M35,M50,M60,M71DA2-ET.TH

### EXTERNAL PARTS



SEZ-M25,M35,M50,M60,M71DA(L)2.TH  
 SEZ-M25,M35,M50,M60,M71DA2-ER.TH  
 SEZ-M25,M35,M50,M60,M71DA2-ET.TH

EXTERNAL PARTS

No.	Part No.	Part Name	Spec.	SEZ-M25DA2.TH	SEZ-M35DA2.TH	SEZ-M50DA2.TH	SEZ-M60DA2.TH	SEZ-M71DA2.TH	SEZ-M25DAL2.TH	Dwg. No.	Notes for the models	Revision info.
101	E27 09G 620	Heat exchanger		1					1	VQ00A519B01		
102	E27 K90 620	Heat exchanger			1					KB00A076B09		
103	E27 K91 620	Heat exchanger				1				KB00A076B10		
104	E27 K92 620	Heat exchanger					1			KB00A078B13		
105	E27 K93 620	Heat exchanger						1		KB00A078B14		
106	E27 319 307	Thermistor		1	1	1	1	1	1	RG71V202G01		
107	E27 319 690	Cover pipe assy		1	1	1	1	1	1	KB00H214G02		
108	E27 319 700	Drain pan assy S		1					1	KB00G775G22		
109	E27 320 700	Drain pan assy M			1	1				KB00G775G23		
110	E27 326 700	Drain pan assy L					1	1		KB00G775G24		
111	E27 319 717	Panel under assy 1 S		1					1	KB00G776G07		
112	E27 320 717	Panel under assy 1 M			1	1				KB00G776G08		
113	E27 326 717	Panel under assy 1 L					1	1		KB00G776G09		
114	E27 319 718	Panel under 2 S		1					1	KB02B455G02		
115	E27 320 718	Panel under 2 M			1	1				KB02B457G01		
116	E27 326 718	Panel under 2 L					1	1		KB02A071G02		
117	E27 319 100	Filter	15	1					1	KB35B272G02		
118	E27 320 100	Filter	40		1	1				KB35B207G02		
119	E27 326 100	Filter	63				2	2		KB35B208G02		
120	E27 319 702	Drain hose		1	1	1	1	1	1	KB27T150H02		
121	E27 319 250	Screw assy		3	4	4	4	4	3	KB12H389G01		
122	E27 W36 660	Nut Flare	1/2(HOLE)			1				RG12F246K01		
123	E27 K92 660	Nut Flare	5/8(HOLE)				1	1		RG12F174K01		
124	E27 K90 660	Nut Flare	3/8(HOLE)	1	1			1	1	RG12F173K01		
125	E27 W37 660	Nut Flare	1/4(HOLE)	1	1	1	1		1	RG12F245K01		
126	E27 319 800	Panel duct assy S		1					1	KB00G751G07		
127	E27 320 800	Panel duct assy M			1	1				KB00G751G08		
128	E27 326 800	Panel duct assy L					1	1		KB00G751G09		

**SEZ-M25,M35,M50,M60,M71DA(L)2.TH**  
**SEZ-M25,M35,M50,M60,M71DA2-ER.TH**  
**SEZ-M25,M35,M50,M60,M71DA2-ET.TH**

**EXTERNAL PARTS**

No.	Part No.	Part Name	Spec.	SEZ-M25DA(L)2.TH	SEZ-M35DA(L)2.TH	SEZ-M50DA(L)2.TH	SEZ-M60DA(L)2.TH	SEZ-M71DA(L)2.TH	SEZ-M25DA2-ER.TH	SEZ-M35DA2-ER.TH	Dwg. No.	Notes for the models	Revision info.
101	E27 09G 620	Heat exchanger							1		VQ00A519B01		
102	E27 K90 620	Heat exchanger		1						1	KB00A076B09		
103	E27 K91 620	Heat exchanger			1						KB00A076B10		
104	E27 K92 620	Heat exchanger				1					KB00A078B13		
105	E27 K93 620	Heat exchanger						1			KB00A078B14		
106	E27 319 307	Thermistor		1	1	1	1	1	1	1	RG71V202G01		
107	E27 319 690	Cover pipe assy		1	1	1	1	1	1	1	KB00H214G02		
108	E27 319 700	Drain pan assy S							1		KB00G775G22		
109	E27 320 700	Drain pan assy M		1	1					1	KB00G775G23		
110	E27 326 700	Drain pan assy L				1	1				KB00G775G24		
111	E27 319 717	Panel under assy 1 S							1		KB00G776G07		
112	E27 320 717	Panel under assy 1 M		1	1					1	KB00G776G08		
113	E27 326 717	Panel under assy 1 L				1	1				KB00G776G09		
114	E27 319 718	Panel under 2 S							1		KB02B455G02		
115	E27 320 718	Panel under 2 M		1	1					1	KB02B457G01		
116	E27 326 718	Panel under 2 L				1	1				KB02A071G02		
117	E27 319 100	Filter	15						1		KB35B272G02		
118	E27 320 100	Filter	40	1	1					1	KB35B207G02		
119	E27 326 100	Filter	63			2	2				KB35B208G02		
120	E27 319 702	Drain hose		1	1	1	1	1	1	1	KB27T150H02		
121	E27 319 250	Screw assy		4	4	4	4	4	3	4	KB12H389G01		
122	E27 W36 660	Nut Flare	1/2(HOLE)	1							RG12F246K01		
123	E27 K92 660	Nut Flare	5/8(HOLE)			1	1				RG12F174K01		
124	E27 K90 660	Nut Flare	3/8(HOLE)	1			1	1	1	1	RG12F173K01		
125	E27 W37 660	Nut Flare	1/4(HOLE)	1	1	1		1	1	1	RG12F245K01		
126	E27 319 800	Panel duct assy S							1		KB00G751G07		
127	E27 320 800	Panel duct assy M		1	1					1	KB00G751G08		
128	E27 326 800	Panel duct assy L				1	1				KB00G751G09		

SEZ-M25,M35,M50,M60,M71DA(L)2.TH  
 SEZ-M25,M35,M50,M60,M71DA2-ER.TH  
 SEZ-M25,M35,M50,M60,M71DA2-ET.TH

**EXTERNAL PARTS**

No.	Part No.	Part Name	Spec.	SEZ-M60DA2-ER.TH	SEZ-M60DA2-ER.TH	SEZ-M71DA2-ER.TH	SEZ-M25DA2-ET.TH	SEZ-M35DA2-ET.TH	SEZ-M50DA2-ET.TH	Dwg. No.	Notes for the models	Revision info.
101	E27 09G 620	Heat exchanger					1			VQ00A519B01		
102	E27 K90 620	Heat exchanger							1	KB00A076B09		
103	E27 K91 620	Heat exchanger		1						1 KB00A076B10		
104	E27 K92 620	Heat exchanger			1					KB00A078B13		
105	E27 K93 620	Heat exchanger				1				KB00A078B14		
106	E27 319 307	Thermistor		1	1	1	1	1	1	RG71V202G01		
107	E27 319 690	Cover pipe assy		1	1	1	1	1	1	KB00H214G02		
108	E27 319 700	Drain pan assy S					1			KB00G775G22		
109	E27 320 700	Drain pan assy M		1					1	1 KB00G775G23		
110	E27 326 700	Drain pan assy L			1	1				KB00G775G24		
111	E27 319 717	Panel under assy 1 S					1			KB00G776G07		
112	E27 320 717	Panel under assy 1 M		1					1	1 KB00G776G08		
113	E27 326 717	Panel under assy 1 L			1	1				KB00G776G09		
114	E27 319 718	Panel under 2 S					1			KB02B455G02		
115	E27 320 718	Panel under 2 M		1					1	1 KB02B457G01		
116	E27 326 718	Panel under 2 L			1	1				KB02A071G02		
117	E27 319 100	Filter	15				1			KB35B272G02		
118	E27 320 100	Filter	40	1					1	1 KB35B207G02		
119	E27 326 100	Filter	63		2	2				KB35B208G02		
120	E27 319 702	Drain hose		1	1	1	1	1	1	KB27T150H02		
121	E27 319 250	Screw assy		4	4	4	3	4	4	KB12H389G01		
122	E27 W36 660	Nut Flare	1/2(HOLE)	1						1 RG12F246K01		
123	E27 K92 660	Nut Flare	5/8(HOLE)		1	1				RG12F174K01		
124	E27 K90 660	Nut Flare	3/8(HOLE)			1	1	1		RG12F173K01		
125	E27 W37 660	Nut Flare	1/4(HOLE)	1	1		1	1	1	RG12F245K01		
126	E27 319 800	Panel duct assy S					1			KB00G751G07		
127	E27 320 800	Panel duct assy M		1					1	1 KB00G751G08		
128	E27 326 800	Panel duct assy L			1	1				KB00G751G09		

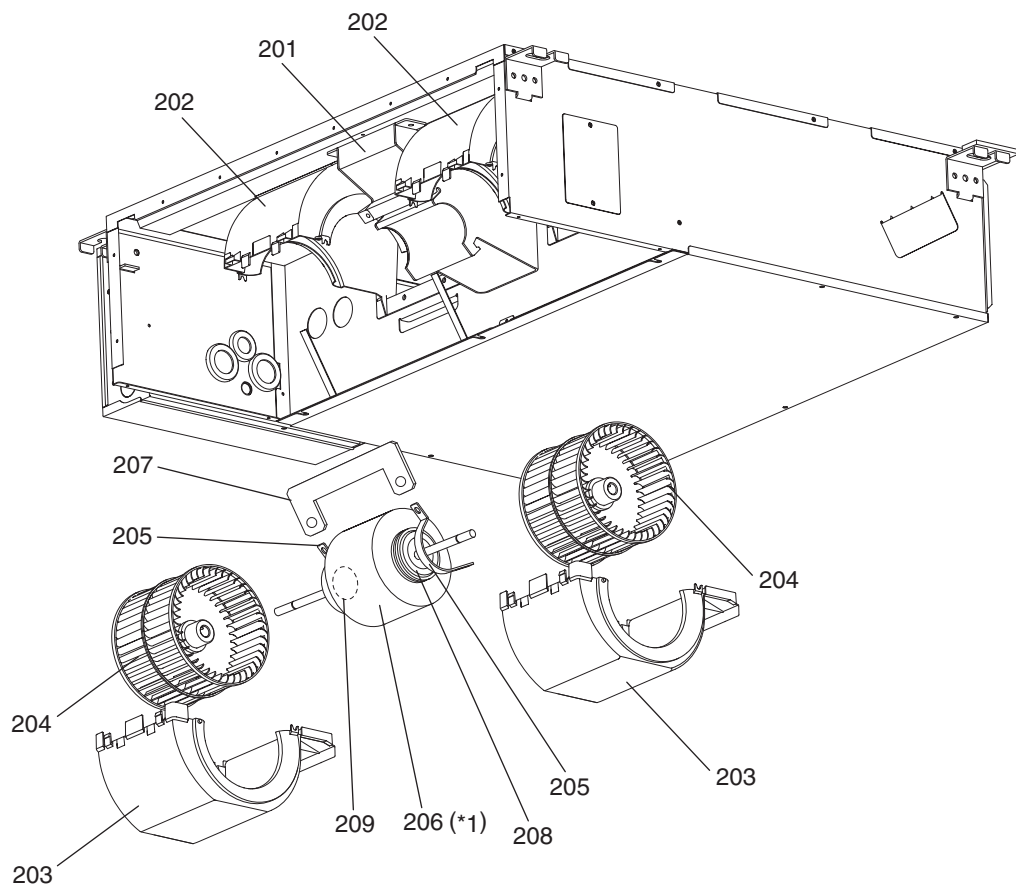
SEZ-M25,M35,M50,M60,M71DA(L)2.TH  
 SEZ-M25,M35,M50,M60,M71DA2-ER.TH  
 SEZ-M25,M35,M50,M60,M71DA2-ET.TH

EXTERNAL PARTS

No.	Part No.	Part Name	Spec.	SEZ-M60DA2-ET.TH	SEZ-M71DA2-ET.TH				Dwg. No.	Notes for the models	Revision info.
101	E27 09G 620	Heat exchanger							VQ00A519B01		
102	E27 K90 620	Heat exchanger							KB00A076B09		
103	E27 K91 620	Heat exchanger							KB00A076B10		
104	E27 K92 620	Heat exchanger		1					KB00A078B13		
105	E27 K93 620	Heat exchanger			1				KB00A078B14		
106	E27 319 307	Thermistor		1	1				RG71V202G01		
107	E27 319 690	Cover pipe assy		1	1				KB00H214G02		
108	E27 319 700	Drain pan assy S							KB00G775G22		
109	E27 320 700	Drain pan assy M							KB00G775G23		
110	E27 326 700	Drain pan assy L		1	1				KB00G775G24		
111	E27 319 717	Panel under assy 1 S							KB00G776G07		
112	E27 320 717	Panel under assy 1 M							KB00G776G08		
113	E27 326 717	Panel under assy 1 L		1	1				KB00G776G09		
114	E27 319 718	Panel under 2 S							KB02B455G02		
115	E27 320 718	Panel under 2 M							KB02B457G01		
116	E27 326 718	Panel under 2 L		1	1				KB02A071G02		
117	E27 319 100	Filter	15						KB35B272G02		
118	E27 320 100	Filter	40						KB35B207G02		
119	E27 326 100	Filter	63	2	2				KB35B208G02		
120	E27 319 702	Drain hose		1	1				KB27T150H02		
121	E27 319 250	Screw assy		4	4				KB12H389G01		
122	E27 W36 660	Nut Flare	1/2(HOLE)						RG12F246K01		
123	E27 K92 660	Nut Flare	5/8(HOLE)	1	1				RG12F174K01		
124	E27 K90 660	Nut Flare	3/8(HOLE)		1				RG12F173K01		
125	E27 W37 660	Nut Flare	1/4(HOLE)	1					RG12F245K01		
126	E27 319 800	Panel duct assy S							KB00G751G07		
127	E27 320 800	Panel duct assy M							KB00G751G08		
128	E27 326 800	Panel duct assy L		1	1				KB00G751G09		

SEZ-M25DA(L)2.TH  
SEZ-M25DA2-ER.TH  
SEZ-M25DA2-ET.TH

## BLOWER PARTS (1)



\*1 Motor (Parts No.206) comes with rubber mounts.

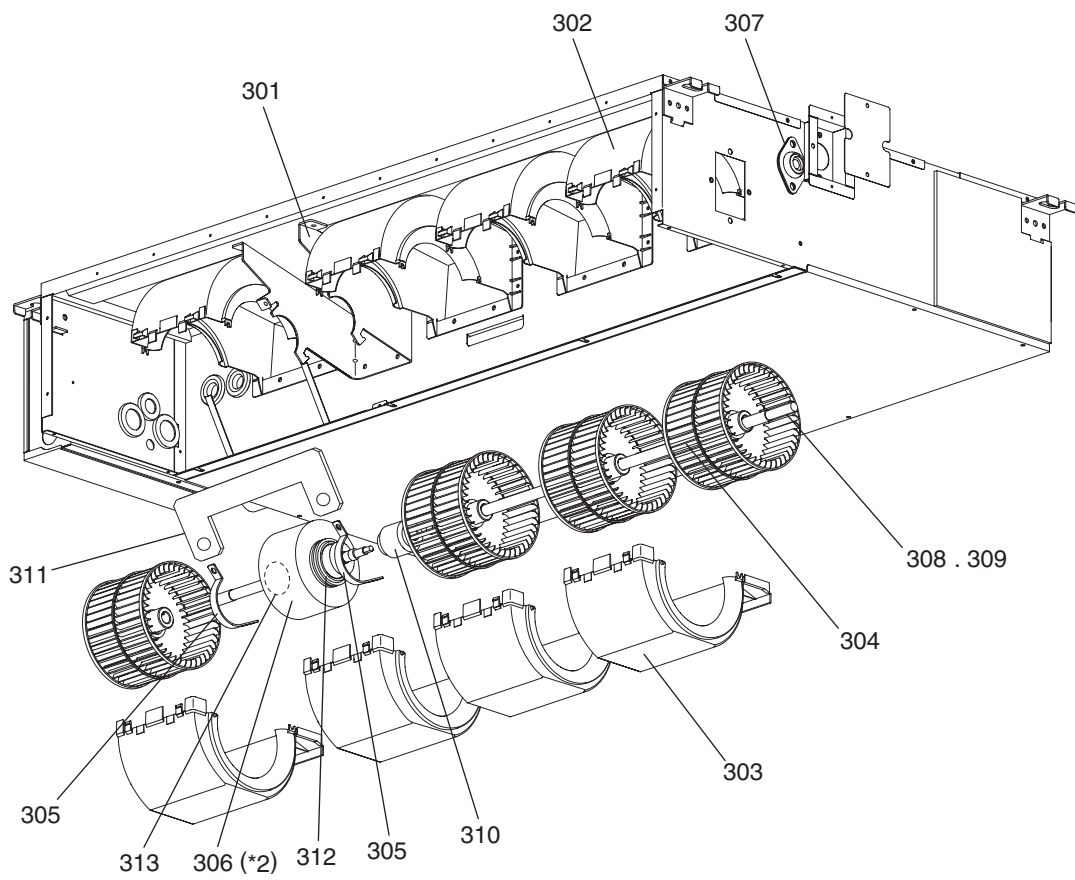
## BLOWER PARTS (1)

No.	Part No.	Part Name	Spec.	SEZ-M25DA2.L.TH	SEZ-M25DA2.L.TH	SEZ-M25DA2-ER.TH	SEZ-M25DA2-ET.TH	Dwg. No.	Notes for the models	Revision info.
201	E27 319 128	Motor base		1	1	1	1	KB02B464G02		
202	E27 319 129	Fan case assy A		2	2	2	2	KB00G773G05		
203	E27 09G 129	Fan case assy B		2	2	2	2	KB00G774G09		
204	E27 319 500	Sirocco fan assy		2	2	2	2	KB00H341G01		
205	KB02H047G02	Attachment		2	2	2	2	KB02H047G02		
206	E27 C45 300	Motor	SIC-70CW-D8114-1E	1	1	1	1	KR61B218H01	*1 Includes rubber mounts	
207	KB02U467G01	Attachment(M-LOCK)		1	1	1	1	KB02U467G01		
208	E27 C45 505	Rubber mount A		1	1	1	1	KJ31H007H01		
209	E27 C46 505	Rubber mount B		1	1	1	1	KJ31H008H01		



SEZ-M35,M50,M60,M71DA(L)2.TH  
SEZ-M35,M50,M60,M71DA2-ER.TH  
SEZ-M35,M50,M60,M71DA2-ET.TH

## BLOWER PARTS (2)



\*2 Motor (Parts No.306) comes with rubber mounts.

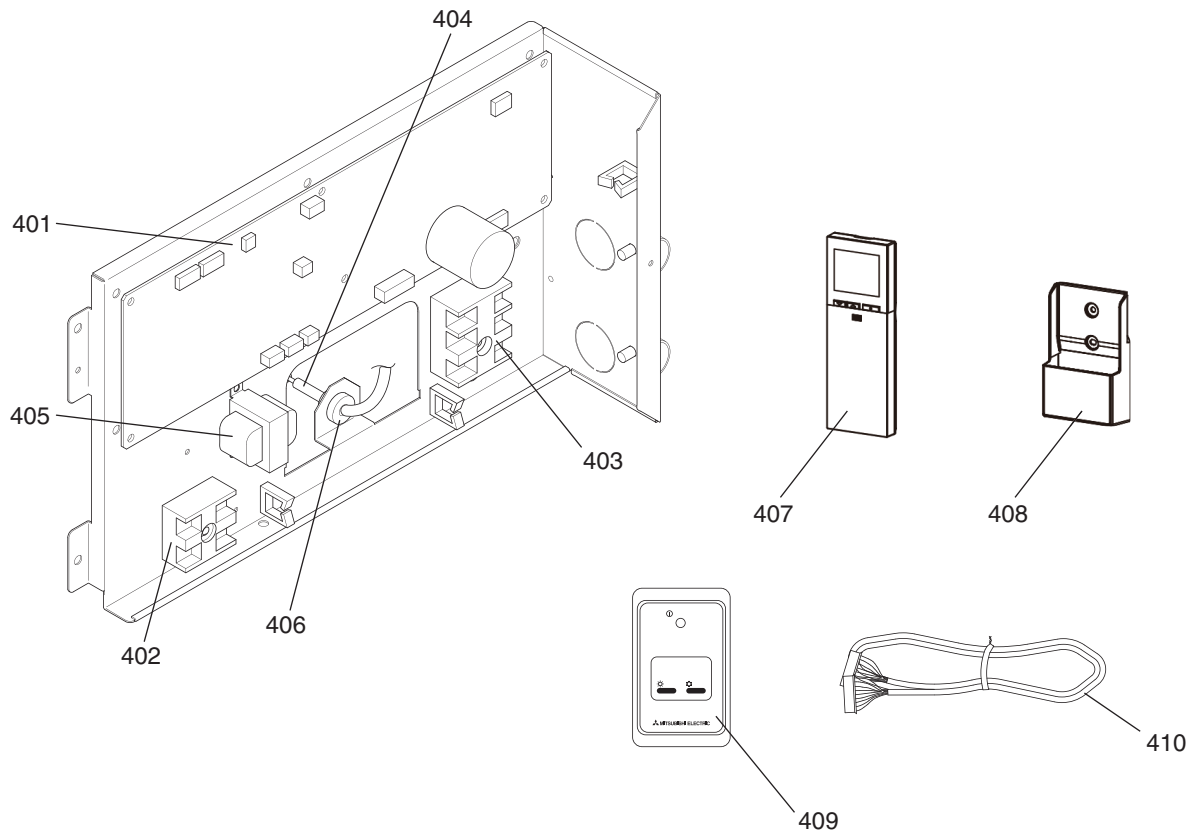


No.	Part No.	Part Name	Spec.	SEZ-M60DA2.L.TH	SEZ-M71DA2.L.TH	SEZ-M35DA2-ER.TH	SEZ-M50DA2-ER.TH	SEZ-M60DA2-ER.TH	SEZ-M71DA2-ER.TH	Dwg. No.	Notes for the models	Revision info.
301	E27 319 128	Motor base		1	1	1	1	1	1	KB02B464G02		
302	E27 319 129	Fan case assy A		4	4	3	3	4	4	KB00G773G05		
303	E27 09G 129	Fan case assy B		4	4	3	3	4	4	KB00G774G09		
304	E27 319 500	Sirocco fan assy		4	4	3	3	4	4	KB00H341G01		
305	KB02H047G02	Attachment		2	2	2	2	2	2	KB02H047G02		
306	E27 C46 300	Motor	SIC-70CW-D896-2E	1	1	1	1	1	1	KR61B219H01	*2 Includes rubber mounts	
307	E27 321 509	Bearing		1	1	1	1	1	1	KB58C793G02		
308	E27 321 499	Shaft	3FAN			1	1			KB10B485H05		
309	E27 326 499	Shaft	4FAN	1	1			1	1	KB10B486H05		
310	E27 321 518	Fan joint assy		1	1	1	1	1	1	KB00R475G01		
311	KB02U467G01	Attachment(M-LOCK)		1	1	1	1	1	1	KB02U467G01		
312	E27 C45 505	Rubber mount A		1	1	1	1	1	1	KJ31H007H01		
313	E27 C46 505	Rubber mount B		1	1	1	1	1	1	KJ31H008H01		



SEZ-M25,M35,M50,M60,M71DA(L)2.TH  
SEZ-M25,M35,M50,M60,M71DA2-ER.TH  
SEZ-M25,M35,M50,M60,M71DA2-ET.TH

## CONTROL BOX PARTS



SEZ-M25,M35,M50,M60,M71DA(L)2.TH  
 SEZ-M25,M35,M50,M60,M71DA2-ER.TH  
 SEZ-M25,M35,M50,M60,M71DA2-ET.TH

CONTROL BOX PARTS

No.	Part No.	Part Name	Spec.	SEZ-M25DA2.TH	SEZ-M35DA2.TH	SEZ-M50DA2.TH	SEZ-M60DA2.TH	SEZ-M71DA2.TH	SEZ-M25DA12.TH	Dwg. No.	Notes for the models	Revision info.
401	E27 09G 447	Printed circuit assembly	INDOOR	1	1	1	1	1	1	KE01H502B02		
402	E27 156 375	Terminal block assy		1	1	1	1	1		BG00R200G62		
403	E27 162 375	Terminal block assy		1	1	1	1	1	1	BH00C267G02		
404	E27 319 308	Thermistor S	250XAP	1	1	1	1	1	1	RG71J628H01		
405	E27 Y83 337	Reactor	CHF			1	1	1		KE65D639H01		
406	E27 319 013	Bush	SRB-R-2	1	1	1	1	1	1	KB32K138H01		
407	E27 09G 426	Wireless remote controller							1	BH00J434B10		
408	E27 D44 083	Remote controller holder							1	BK25V160G03		
409	E27 K99 317	Signal receiving unit							1	KF00D049H02		
410	E27 430 087	Cable	SIGNAL RECEIVING UNIT						1	KB00G968G01		

**SEZ-M25,M35,M50,M60,M71DA(L)2.TH  
 SEZ-M25,M35,M50,M60,M71DA2-ER.TH  
 SEZ-M25,M35,M50,M60,M71DA2-ET.TH**

**CONTROL BOX PARTS**

No.	Part No.	Part Name	Spec.	SEZ-M35DA(L)2.TH	SEZ-M50DA(L)2.TH	SEZ-M60DA(L)2.TH	SEZ-M71DA(L)2.TH	SEZ-M25DA2-ER.TH	SEZ-M35DA2-ER.TH	Dwg. No.	Notes for the models	Revision info.
401	E27 09G 447	Printed circuit assembly	INDOOR	1	1	1	1	1	1	KE01H502B02		
402	E27 156 375	Terminal block assy						1	1	BG00R200G62		
403	E27 162 375	Terminal block assy		1	1	1	1	1	1	BH00C267G02		
404	E27 319 308	Thermistor S	250XAP	1	1	1	1	1	1	RG71J628H01		
405	E27 Y83 337	Reactor	CHF		1	1	1			KE65D639H01		
406	E27 319 013	Bush	SRB-R-2	1	1	1	1	1	1	KB32K138H01		
407	E27 09G 426	Wireless remote controller		1	1	1	1			BH00J434B10		
408	E27 D44 083	Remote controller holder		1	1	1	1			BK25V160G03		
409	E27 K99 317	Signal receiving unit		1	1	1	1			KF00D049H02		
410	E27 430 087	Cable	SIGNAL RECEIVING UNIT	1	1	1	1			KB00G968G01		

SEZ-M25,M35,M50,M60,M71DA(L)2.TH  
SEZ-M25,M35,M50,M60,M71DA2-ER.TH  
SEZ-M25,M35,M50,M60,M71DA2-ET.TH

## CONTROL BOX PARTS

No.	Part No.	Part Name	Spec.	SEZ-M60DA2-ER.TH	SEZ-M60DA2-ER.TH	SEZ-M71DA2-ER.TH	SEZ-M25DA2-ET.TH	SEZ-M35DA2-ET.TH	SEZ-M50DA2-ET.TH	Dwg. No.	Notes for the models	Revision info.
401	E27 09G 447	Printed circuit assembly	INDOOR	1	1	1				KE01H502B02		
402	E27 156 375	Terminal block assy		1	1	1	1	1	1	BG00R200G62		
403	E27 162 375	Terminal block assy		1	1	1	1	1	1	BH00C267G02		
404	E27 319 308	Thermistor S	250XAP	1	1	1	1	1	1	RG71J628H01		
405	E27 Y83 337	Reactor	CHF	1	1	1				1 KE65D639H01		
406	E27 319 013	Bush	SRB-R-2	1	1	1	1	1	1	KB32K138H01		
407	E27 09G 426	Wireless remote controller								BH00J434B10		
408	E27 D44 083	Remote controller holder								BK25V160G03		
409	E27 K99 317	Signal receiving unit								KF00D049H02		
410	E27 430 087	Cable	SIGNAL RECEIVING UNIT							KB00G968G01		



SEZ-M25,M35,M50,M60,M71DA(L)2.TH  
 SEZ-M25,M35,M50,M60,M71DA2-ER.TH  
 SEZ-M25,M35,M50,M60,M71DA2-ET.TH

**CONTROL BOX PARTS**

No.	Part No.	Part Name	Spec.	SEZ-M60DA2-ET.TH	SEZ-M71DA2-ET.TH						Dwg. No.	Notes for the models	Revision info.
401	E27 09G 447	Printed circuit assembly	INDOOR	1	1						KE01H502B02		
402	E27 156 375	Terminal block assy		1	1						BG00R200G62		
403	E27 162 375	Terminal block assy		1	1						BH00C267G02		
404	E27 319 308	Thermistor S	250XAP	1	1						RG71J628H01		
405	E27 Y83 337	Reactor	CHF	1	1						KE65D639H01		
406	E27 319 013	Bush	SRB-R-2	1	1						KB32K138H01		
407	E27 09G 426	Wireless remote controller									BH00J434B10		
408	E27 D44 083	Remote controller holder									BK25V160G03		
409	E27 K99 317	Signal receiving unit									KF00D049H02		
410	E27 430 087	Cable	SIGNAL RECEIVING UNIT								KB00G968G01		

**mitsubishi**  
**electric**  
**corporation**

---

BWE020240 (20210430)