

# PARTS CATALOG

**R32**
**No. OCB771  
REVISED EDITION-D**
**Outdoor unit**
**[Model Name]**

PUZ-ZM60VHA2  
 PUZ-ZM60VHA2-ET  
 PUZ-ZM60VHA2-ER  
 PUZ-ZM71VHA2  
 PUZ-ZM71VHA2-ET  
 PUZ-ZM71VHA2-ER  
 PUZ-ZM100VKA2  
 PUZ-ZM100VKA2-ET  
 PUZ-ZM100VKA2-ER  
 PUZ-ZM125VKA2  
 PUZ-ZM125VKA2-ET  
 PUZ-ZM125VKA2-ER  
 PUZ-ZM140VKA2  
 PUZ-ZM140VKA2-ET  
 PUZ-ZM140VKA2-ER  
 PUZ-ZM100YKA2  
 PUZ-ZM100YKA2-ET  
 PUZ-ZM100YKA2-ER  
 PUZ-ZM125YKA2  
 PUZ-ZM125YKA2-ET  
 PUZ-ZM125YKA2-ER  
 PUZ-ZM140YKA2  
 PUZ-ZM140YKA2-ET  
 PUZ-ZM140YKA2-ER  
 PUZ-ZM200YKA2  
 PUZ-ZM200YKA2-ET  
 PUZ-ZM200YKA2-ER  
 PUZ-ZM250YKA2  
 PUZ-ZM250YKA2-ET  
 PUZ-ZM250YKA2-ER

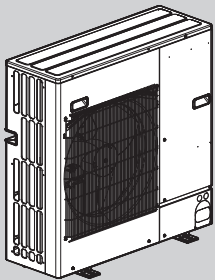
**[Service Ref.]**

PUZ-ZM60VHA2.UK  
 PUZ-ZM60VHA2-ET.UK  
 PUZ-ZM60VHA2-ER.UK  
 PUZ-ZM71VHA2.UK  
 PUZ-ZM71VHA2-ET.UK  
 PUZ-ZM71VHA2-ER.UK  
 PUZ-ZM100VKA2.UK  
 PUZ-ZM100VKA2-ET.UK  
 PUZ-ZM100VKA2-ER.UK  
 PUZ-ZM125VKA2.UK  
 PUZ-ZM125VKA2-ET.UK  
 PUZ-ZM125VKA2-ER.UK  
 PUZ-ZM140VKA2.UK  
 PUZ-ZM140VKA2-ET.UK  
 PUZ-ZM140VKA2-ER.UK  
 PUZ-ZM100YKA2.UK  
 PUZ-ZM100YKA2-ET.UK  
 PUZ-ZM100YKA2-ER.UK  
 PUZ-ZM125YKA2.UK  
 PUZ-ZM125YKA2-ET.UK  
 PUZ-ZM125YKA2-ER.UK  
 PUZ-ZM140YKA2.UK  
 PUZ-ZM140YKA2-ET.UK  
 PUZ-ZM140YKA2-ER.UK  
 PUZ-ZM200YKA2.UK  
 PUZ-ZM200YKA2R1  
 PUZ-ZM200YKA2-ETR1  
 PUZ-ZM200YKA2-ERR1  
 PUZ-ZM250YKA2.UK  
 PUZ-ZM250YKA2R1  
 PUZ-ZM250YKA2-ETR1  
 PUZ-ZM250YKA2-ERR1

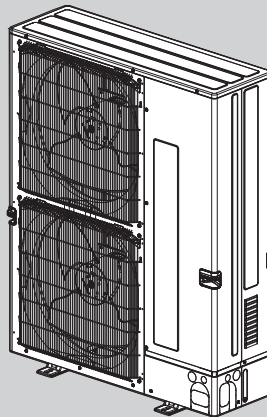
**Revision:**

- Parts No. has been corrected in REVISED EDITION-D.

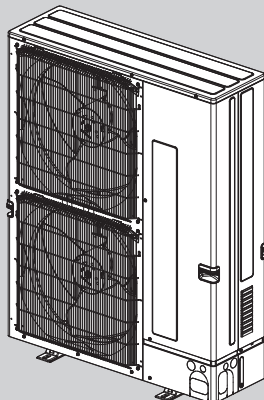
OCB771C is void.



PUZ-ZM60VHA2(-ET/-ER).UK  
 PUZ-ZM71VHA2(-ET/-ER).UK



PUZ-ZM100VKA2(-ET/-ER).UK  
 PUZ-ZM125VKA2(-ET/-ER).UK  
 PUZ-ZM140VKA2(-ET/-ER).UK  
 PUZ-ZM100YKA2(-ET/-ER).UK  
 PUZ-ZM125YKA2(-ET/-ER).UK  
 PUZ-ZM140YKA2(-ET/-ER).UK  
 PUZ-ZM200YKA2.UK  
 PUZ-ZM250YKA2.UK



PUZ-ZM200YKA2(-ET/-ER)R1  
 PUZ-ZM250YKA2(-ET/-ER)R1

**CONTENTS**

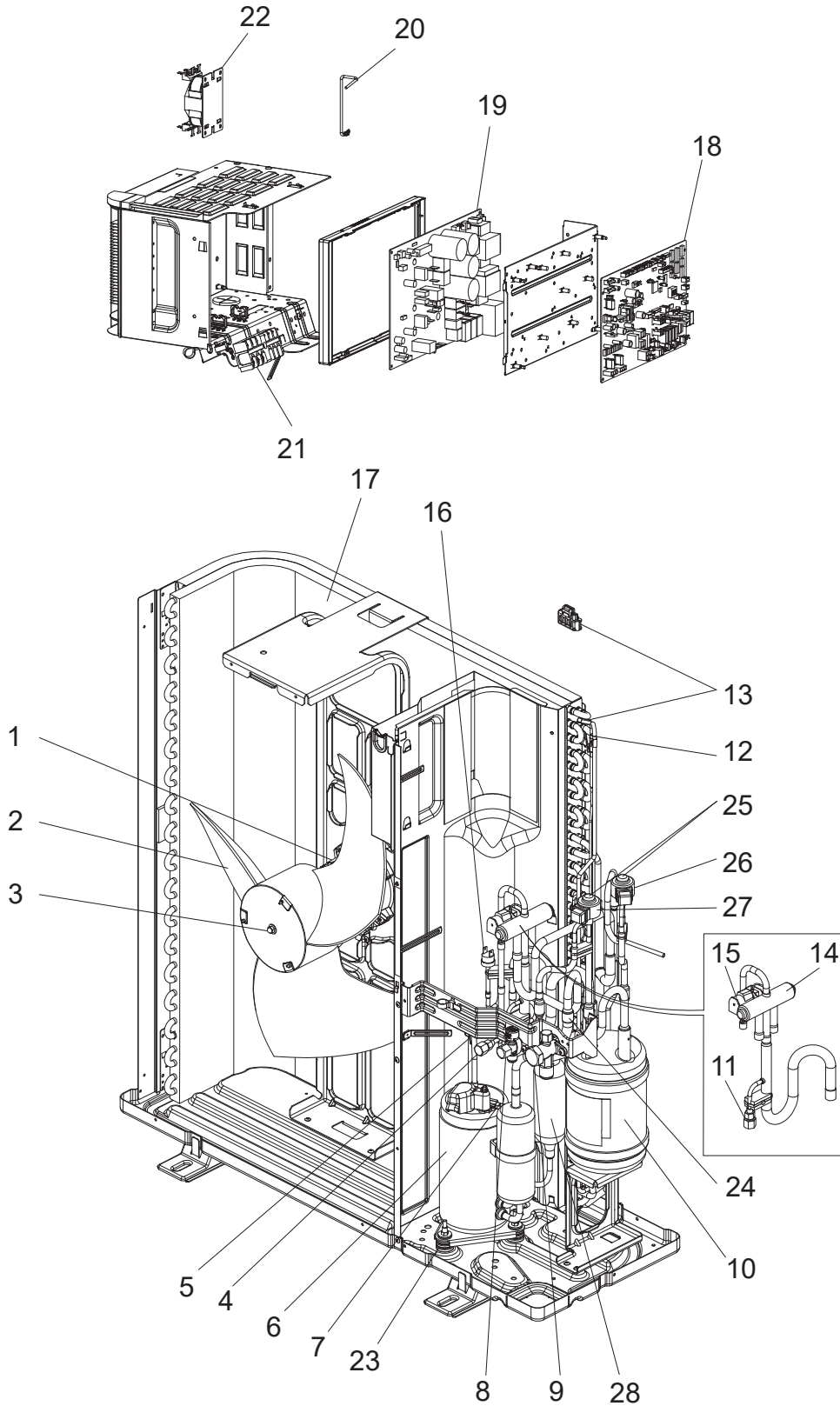
1. SERVICE PARTS LIST ..... 2

**SERVICE MANUAL (OCH771)**


**FUNCTIONAL AND ELECTRICAL PARTS**

**PUZ-ZM60VHA2.UK  
 PUZ-ZM60VHA2-ET.UK  
 PUZ-ZM60VHA2-ER.UK**

**PUZ-ZM71VHA2.UK  
 PUZ-ZM71VHA2-ET.UK  
 PUZ-ZM71VHA2-ER.UK**

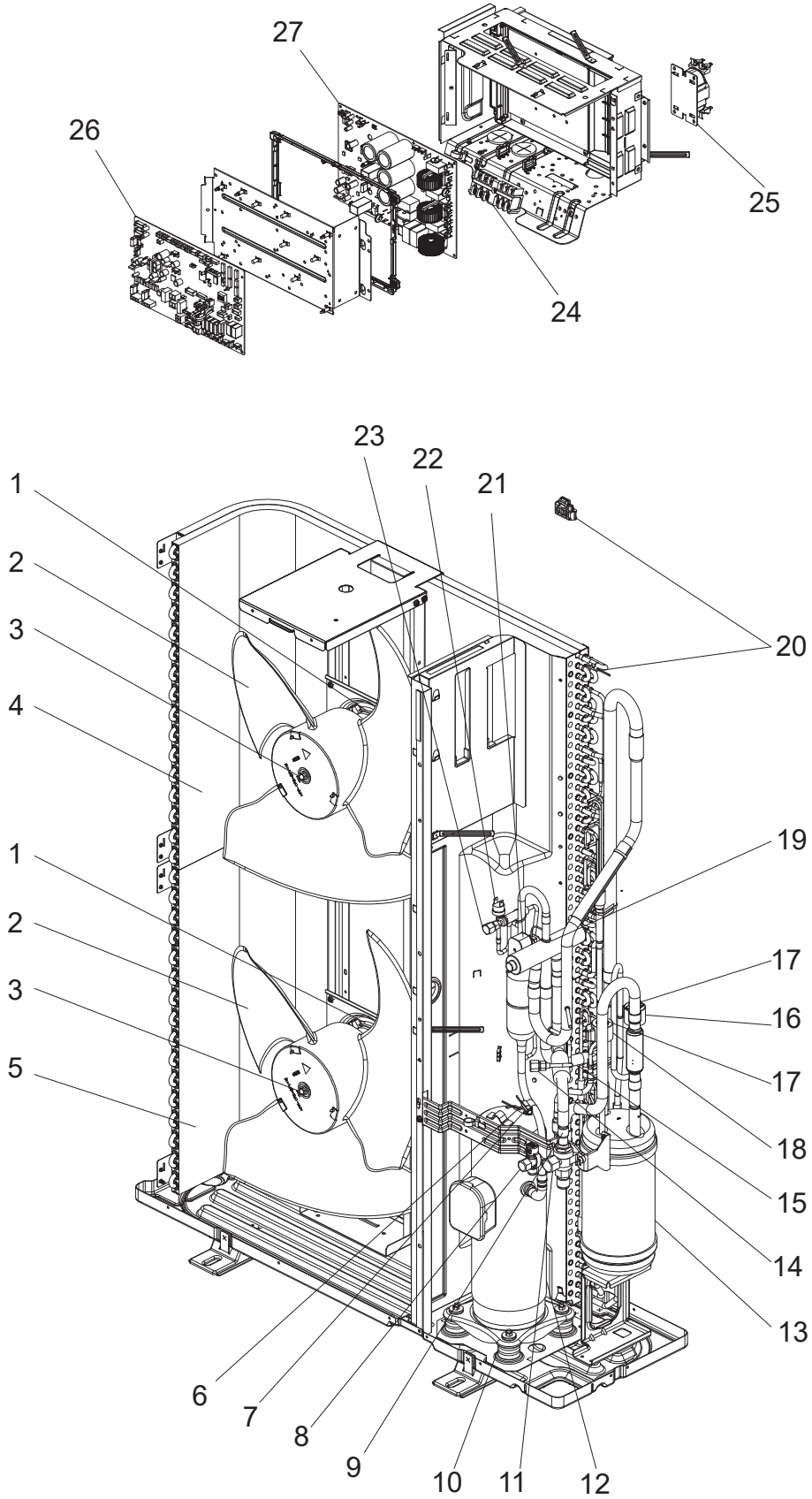


1. The part quantity below indicates the required number of pieces per unit.
2. The circled No. indicates that the part is not shown in the figure.

No.	Parts No.	Parts Name	PUZ-ZM60VHA2.UK	PUZ-ZM60VHA2-ET.UK	PUZ-ZM60VHA2-ER.UK	PUZ-ZM71VHA2.UK	PUZ-ZM71VHA2-ET.UK	PUZ-ZM71VHA2-ER.UK	Wiring Diagram Symbol	Remarks [Drawing No.]
1	S70 E91 763	FAN MOTOR	1	1	1	1	1	1	MF1	
2	S70 K04 115	PROPELLER FAN	1	1	1	1	1	1		
3	S70 K01 097	NUT	1	1	1	1	1	1		
4	S70 E02 413	CHARGE PLUG	1	1	1	1	1	1	SV	
5	S70 E59 202	THERMISTOR	1	1	1	1	1	1	TH4 (Discharge)	
6	S70 E32 400	COMPRESSOR	1	1	1	1	1	1	MC	SVB172FFUM1
7	S70 E84 202	THERMISTOR	1	1	1	1	1	1	TH33 (Comp. Surface)	
8	S70 600 418	STOP VALVE (LIQUID)	1	1	1	1	1	1		3/8"
9	S70 100 418	STOP VALVE (GAS)	1	1	1	1	1	1		5/8"
10	S70 E66 440	POWER RECEIVER (ACCUMULATOR)	1	1	1	1	1	1		
11	S70 E03 413	CHARGE PLUG	1	1	1	1	1	1	SV	
12	S70 E52 202	THERMISTOR-H	1	1	1	1	1	1	TH3 (Liquid)	850 XAP
13	S70 E31 202	THERMISTOR-W	1	1	1	1	1	1	TH6 (2-Phase Pipe) TH7 (Ambient)	850/1050
14	S70 E11 403	4-WAY VALVE (REVERSING VALVE)	1	1	1	1	1	1		
15	S70 E30 242	SOLENOID COIL (4-WAY COIL)	1	1	1	1	1	1	21S4	
16	S70 E10 208H	HIGH PRESSURE SWITCH	1	1	1	1	1	1	63H	OFF 4.14MPA
17	S70 E47 408	HEAT EXCHANGER	1	1	1	1	1	1		
18	S70 E71 315	CONTROLLER BOARD	1	1	1	1	1	1	C.B.	
19	S70 E68 313	POWER BOARD	1	1	1	1	1	1	P.B.	
20	S70 E70 202	THERMISTOR	1	1	1	1	1	1	TH8 (Heat Sink)	
21	S70 E11 716	TERMINAL BLOCK	1	1	1	1	1	1	TB1	6P (L,N,E + S1,S2,S3)
22	S70 K85 259	REACTOR (DCL)	1	1	1	1	1	1	DCL	18 mH
23	S70 E03 004	RUBBER MOUNT	3	3	3	3	3	3		
24	S70 36L 450	STRAINER	1	1	1	1	1	1		#50
25	S70 G10 401	EXPANSION VALVE	2	2	2	2	2	2		B40YGME-3
26	S70 E35 402	LINEAR EXPANSION VALVE COIL	1	1	1	1	1	1		
27	S70 E45 402	LINEAR EXPANSION VALVE COIL	1	1	1	1	1	1		
28	S70 E50 467	MUFFLER (PIPE C-M ASSY)	1	1	1	1	1	1		

## FUNCTIONAL AND ELECTRICAL PARTS

PUZ-ZM100VKA2.UK  
PUZ-ZM100VKA2-ET.UK  
PUZ-ZM100VKA2-ER.UK



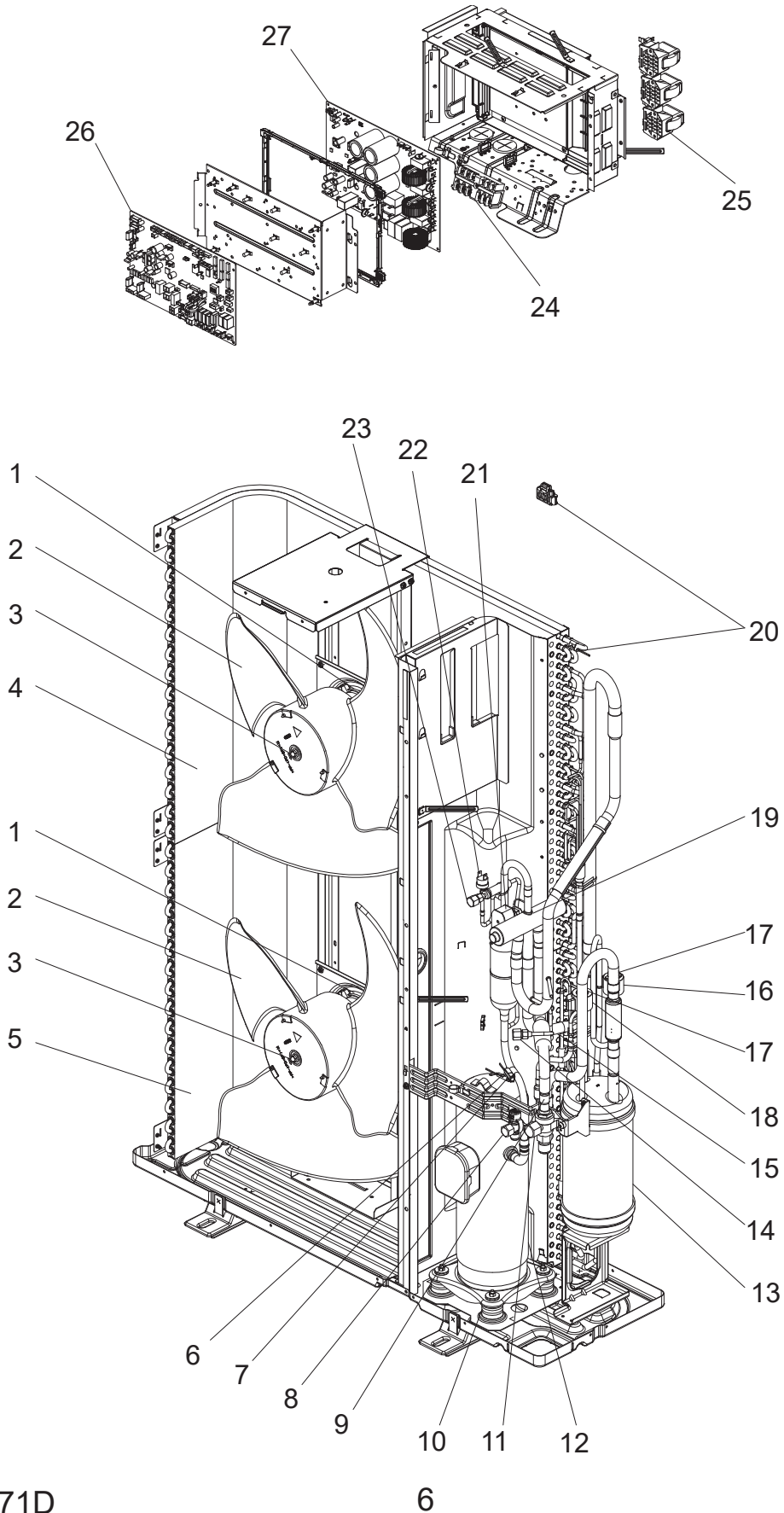
1. The part quantity below indicates the required number of pieces per unit.
2. The circled No. indicates that the part is not shown in the figure.

No.	Parts No.	Parts Name				Wiring Diagram Symbol	Remarks
			PUZ-ZM100VKA2.UK	PUZ-ZM100VKA2-ET.UK	PUZ-ZM100VKA2-ER.UK		
1	S 7 0 E 9 5 7 6 3	FAN MOTOR	2	2	2	MF1, 2	
2	S 7 0 E 5 0 1 1 5	PROPELLER FAN	2	2	2		
3	S 7 0 K 0 1 0 9 7	NUT	2	2	2		
4	S 7 0 E 3 0 4 0 8	HEAT EXCHANGER (TOP)	1	1	1		
5	S 7 0 E 3 5 4 0 8 H	HEAT EXCHANGER (UNDER)	1	1	1		
6	S 7 0 E 5 7 2 0 2	THERMISTOR	1	1	1	TH4 (Discharge)	
7	S 7 0 E 7 1 2 0 2	THERMISTOR	1	1	1	TH33 (Comp. Surface)	
8	S 7 0 6 0 0 4 1 8	STOP VALVE (LIQUID)	1	1	1		3/8"
9	S 7 0 3 6 L 4 5 0	STRAINER	1	1	1		#50
10	S 7 0 E 0 2 0 0 4	RUBBER MOUNT	4	4	4		
11	S 7 0 E 0 6 4 1 1	BALL VALVE (GAS)	1	1	1		5/8"
12	S 7 0 E 6 1 4 0 0	COMPRESSOR	1	1	1	MC	DVB28FCGMT
13	S 7 0 E 1 7 4 4 0	POWER RECEIVER (ACCUMULATOR)	1	1	1		
14	S 7 0 E 0 2 4 1 3	CHARGE PLUG	1	1	1		
15	S 7 0 E 5 8 2 0 2	THERMISTOR	1	1	1	TH3 (Liquid)	
16	S 7 0 E 5 0 4 0 2	LINEAR EXPANSION COIL	1	1	1		UKV-A295
17	S 7 0 E 7 1 4 0 1	EXPANSION VALVE	2	2	2		UKV-25D328
18	S 7 0 E 6 0 4 0 2	LINEAR EXPANSION COIL	1	1	1		UKV-A296
19	S 7 0 E 1 4 4 0 3	REVERSING VALVE	1	1	1		
20	S 7 0 E 8 5 2 0 2	THERMISTOR-W	1	1	1	TH6 (Ambient) TH7 (2-phase pipe)	850/1050
21	S 7 0 E 3 5 2 4 2	SOLENOID COIL	1	1	1	21S4	
22	S 7 0 E 1 0 2 0 8 H	HIGH PRESSURE SWITCH	1	1	1	63H	OFF 4.14 MPA
23	S 7 0 E 0 3 4 1 3	CHARGE PLUG	1	1	1		
24	S 7 0 E 1 1 7 1 6	TERMINAL BLOCK	1	1	1	TB1	6P (LINE + S1,S2,S3)
25	S 7 0 K 8 5 2 5 9	REACTOR	1	1	1		
26	S 7 0 E 6 4 3 1 5	CONTROLLER BOARD	1	1	1	C.B.	
27	S 7 0 E 6 9 3 1 3	POWER BOARD	1	1	1	P.B.	

## FUNCTIONAL AND ELECTRICAL PARTS

PUZ-ZM125VKA2.UK  
PUZ-ZM125VKA2-ET.UK  
PUZ-ZM125VKA2-ER.UK

PUZ-ZM140VKA2.UK  
PUZ-ZM140VKA2-ET.UK  
PUZ-ZM140VKA2-ER.UK

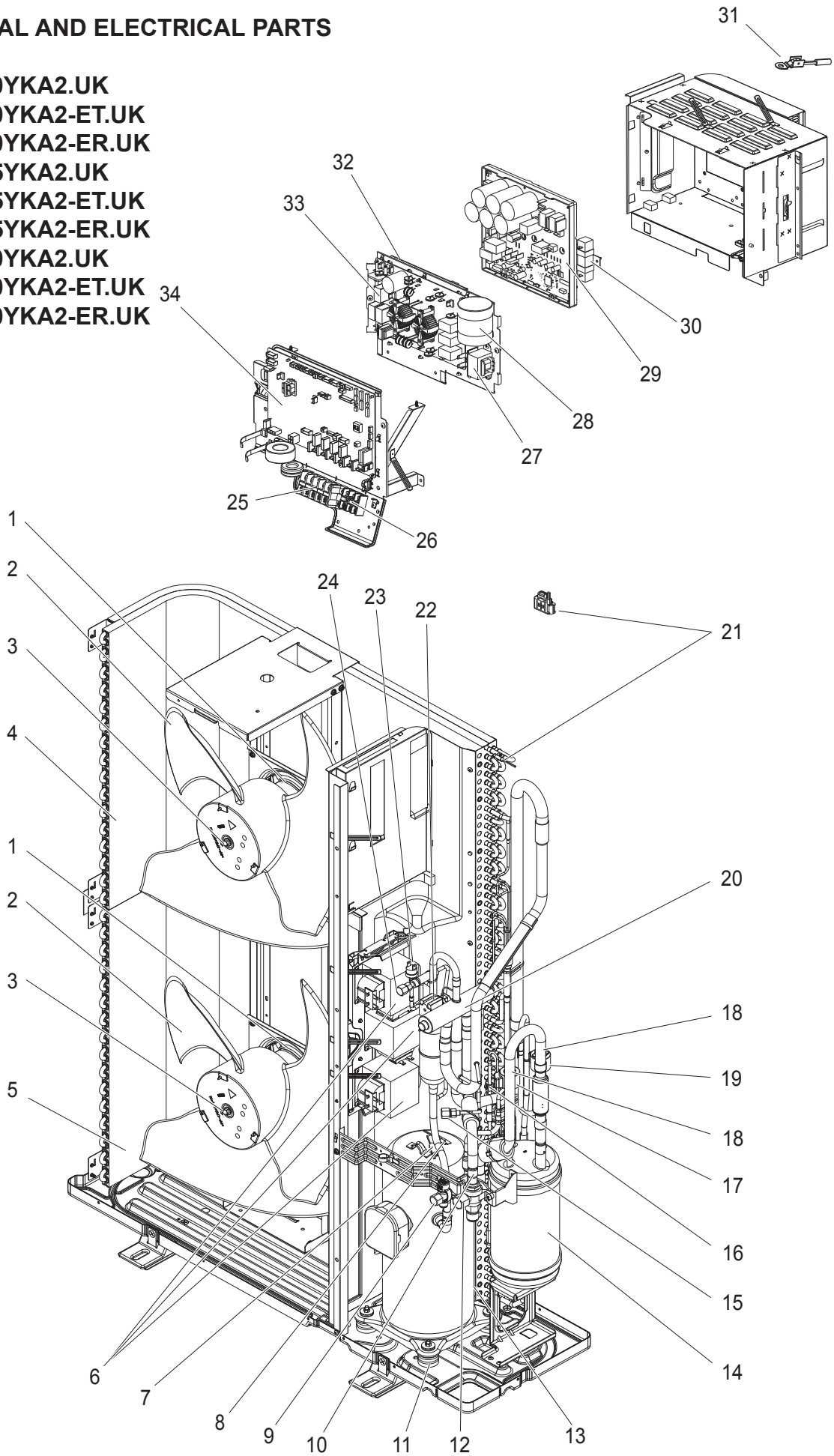


1. The part quantity below indicates the required number of pieces per unit.
2. The circled No. indicates that the part is not shown in the figure.

No.	Parts No.	Parts Name							Wiring Diagram Symbol	Remarks
			PUZ-ZM125VKKA2.UK	PUZ-ZM125VKKA2-ET.UK	PUZ-ZM125VKKA2-ER.UK	PUZ-ZM140VKKA2.UK	PUZ-ZM140VKKA2-ET.UK	PUZ-ZM140VKKA2-ER.UK		
1	S 70 E 95 7 6 3	FAN MOTOR	2	2	2	2	2	2	MF1, 2	
2	S 70 E 50 1 1 5	PROPELLER FAN	2	2	2	2	2	2		
3	S 70 K 01 0 9 7	NUT	2	2	2	2	2	2		
4	S 70 E 30 4 0 8	HEAT EXCHANGER (TOP)	1	1	1	1	1	1		
5	S 70 E 35 4 0 8 H	HEAT EXCHANGER (UNDER)	1	1	1	1	1	1		
6	S 70 E 57 2 0 2	THERMISTOR	1	1	1	1	1	1	TH4 (Discharge)	
7	S 70 E 71 2 0 2	THERMISTOR	1	1	1	1	1	1	TH33 (Comp. Surface)	
8	S 70 6 0 0 4 1 8	STOP VALVE (LIQUID)	1	1	1	1	1	1		3/8"
9	S 70 3 6 L 4 5 0	STRAINER	1	1	1	1	1	1		#50
10	S 70 E 0 2 0 0 4	RUBBER MOUNT	4	4	4	4	4	4		
11	S 70 E 0 6 4 1 1	BALL VALVE (GAS)	1	1	1	1	1	1		5/8"
12	S 70 E 6 2 4 0 0	COMPRESSOR	1	1	1	1	1	1	MC	DVB36FCHMT
13	S 70 E 1 7 4 4 0	POWER RECEIVER (ACCUMULATOR)	1	1	1	1	1	1		
14	S 70 E 0 2 4 1 3	CHARGE PLUG	1	1	1	1	1	1		
15	S 70 E 5 8 2 0 2	THERMISTOR	1	1	1	1	1	1	TH3 (Liquid)	
16	S 70 E 5 0 4 0 2	LINEAR EXPANSION COIL	1	1	1	1	1	1		UKV-A295
17	S 70 E 7 1 4 0 1	EXPANSION VALVE	2	2	2	2	2	2		UKV-25D328
18	S 70 E 6 0 4 0 2	LINEAR EXPANSION COIL	1	1	1	1	1	1		UKV-A296
19	S 70 E 1 4 4 0 3	REVERSING VALVE	1	1	1	1	1	1		
20	S 70 E 8 5 2 0 2	THERMISTOR-W	1	1	1	1	1	1	TH6 (Ambient) TH7 (2-phase pipe)	850/1050
21	S 70 E 3 5 2 4 2	SOLENOID COIL	1	1	1	1	1	1	21S4	
22	S 70 E 1 0 2 0 8 H	HIGH PRESSURE SWITCH	1	1	1	1	1	1	63H	OFF 4.14 MPA
23	S 70 E 0 3 4 1 3	CHARGE PLUG	1	1	1	1	1	1		
24	S 70 E 1 1 7 1 6	TERMINAL BLOCK	1	1	1	1	1	1	TB1	6P (LINE + S1,S2,S3)
25	S 70 K 9 5 2 5 9	REACTOR	1	1	1	1	1	1	DCL	0.5 MH
26	S 70 E 6 4 3 1 5	CONTROLLER BOARD	1	1	1	1	1	1	C.B.	
27	S 70 E 7 1 3 1 3	POWER BOARD	1	1	1	1	1	1	P.B.	

# FUNCTIONAL AND ELECTRICAL PARTS

**PUZ-ZM100YKA2.UK**  
**PUZ-ZM100YKA2-ET.UK**  
**PUZ-ZM100YKA2-ER.UK**  
**PUZ-ZM125YKA2.UK**  
**PUZ-ZM125YKA2-ET.UK**  
**PUZ-ZM125YKA2-ER.UK**  
**PUZ-ZM140YKA2.UK**  
**PUZ-ZM140YKA2-ET.UK**  
**PUZ-ZM140YKA2-ER.UK**



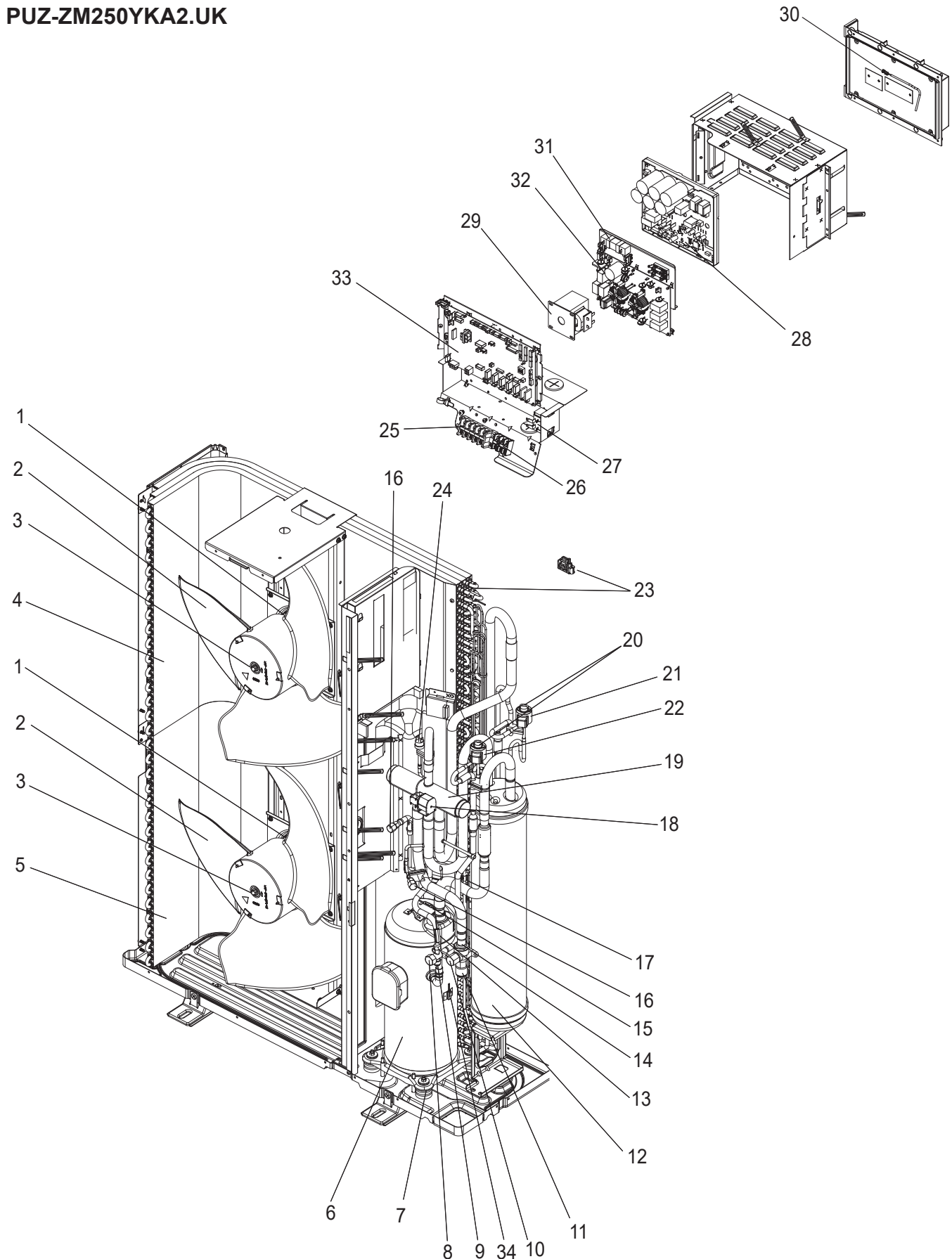


1. The part quantity below indicates the required number of pieces per unit.
2. The circled No. indicates that the part is not shown in the figure.

No.	Parts No.	Parts Name										Wiring Diagram Symbol	Remarks	
			PUZ-ZM100YKA2.UK	PUZ-ZM100YKA2-ET.UK	PUZ-ZM100YKA2-ER.UK	PUZ-ZM125YKA2.UK	PUZ-ZM125YKA2-ET.UK	PUZ-ZM125YKA2-ER.UK	PUZ-ZM140YKA2.UK	PUZ-ZM140YKA2-ET.UK	PUZ-ZM140YKA2-ER.UK			
1	S 70 E 95 7 63	FAN MOTOR	2	2	2	2	2	2	2	2	2	2	MF1, 2	
2	S 70 E 50 115	PROPELLER FAN	2	2	2	2	2	2	2	2	2	2		
3	S 70 K 01 097	NUT	2	2	2	2	2	2	2	2	2	2		
4	S 70 E 30 408	HEAT EXCHANGER (TOP)	1	1	1	1	1	1	1	1	1	1		
5	S 70 E 35 408H	HEAT EXCHANGER (UNDER)	1	1	1	1	1	1	1	1	1	1		
6	S 70 K 96 259	REACTOR				3	3	3					ACL1, 2, 3	
6	S 70 K 80 259	REACTOR							3	3	3		ACL1, 2, 3	
7	S 70 E 59 202	THERMISTOR	1	1	1	1	1	1	1	1	1	1	TH4 (Discharge)	
8	S 70 E 72 202	THERMISTOR	1	1	1	1	1	1	1	1	1	1	TH33 (Comp. Surface)	
9	S 70 600 418	STOP VALVE (LIQUID)	1	1	1	1	1	1	1	1	1	1		3/8"
10	S 70 36L 450	STRAINER	1	1	1	1	1	1	1	1	1	1		#50
11	S 70 E 02 004	RUBBER MOUNT	4	4	4	4	4	4	4	4	4	4		
12	S 70 E 06 411	BALL VALVE (GAS)	1	1	1	1	1	1	1	1	1	1		5/8"
13	S 70 E 63 400	COMPRESSOR	1	1	1								MC	DVB28FCJMT
13	S 70 E 64 400	COMPRESSOR				1	1	1	1	1	1	1	MC	DVB36FCKMT
14	S 70 E 17 440	POWER RECEIVER (ACCUMULATOR)	1	1	1	1	1	1	1	1	1	1		
15	S 70 E 02 413	CHARGE PLUG	1	1	1	1	1	1	1	1	1	1		
16	S 70 E 37 202	THERMISTOR-H	1	1	1	1	1	1	1	1	1	1	TH3 (Liquid)	1150/XAP
17	S 70 E 60 402	LINEAR EXPANSION COIL	1	1	1	1	1	1	1	1	1	1		UKV-A296
18	S 70 E 71 401	EXPANSION VALVE	2	2	2	2	2	2	2	2	2	2		UKV-25D328
19	S 70 E 50 402	LINEAR EXPANSION COIL	1	1	1	1	1	1	1	1	1	1		UKV-A295
20	S 70 E 14 403	REVERSING VALVE	1	1	1	1	1	1	1	1	1	1		
21	S 70 E 60 202	THERMISTOR-W	1	1	1	1	1	1	1	1	1	1	TH6 (Ambient) TH7 (2-phase pipe)	
22	S 70 E 35 242	SOLENOID COIL	1	1	1	1	1	1	1	1	1	1	21S4	
23	S 70 E 10 208H	HIGH PRESSURE SWITCH	1	1	1	1	1	1	1	1	1	1	63H	OFF 4.1 4 MPA
24	S 70 E 03 413	CHARGE PLUG	1	1	1	1	1	1	1	1	1	1		
25	S 70 E 09 716	TERMINAL BLOCK	1	1	1	1	1	1	1	1	1	1	TB1	5P (L1, L2, L3, N,E)
26	S 70 E 08 716	TERMINAL BLOCK	1	1	1	1	1	1	1	1	1	1	TB2	3P (S1,S2,S3)
27	S 70 K 25 259	REACTOR	1	1	1	1	1	1	1	1	1	1	ACL4	
28	S 70 E 71 255	CAPACITOR	1	1	1	1	1	1	1	1	1	1	CK	
29	S 70 E 72 313	POWER BOARD	1	1	1								P.B.	
29	S 70 E 73 313	POWER BOARD				1	1	1	1	1	1	1	P.B.	
30	S 70 E 20 234	RESISTOR	1	1	1	1	1	1	1	1	1	1	RS	
31	S 70 E 55 202	THERMISTOR	1	1	1	1	1	1	1	1	1	1	TH8 (Heat sink)	
32	S 70 E 75 313	CONVERTER BOARD	1	1	1	1	1	1	1	1	1	1	CONV.B.	
33	S 70 E 65 346	NOISE FILTER	1	1	1	1	1	1	1	1	1	1	N.F.	
34	S 70 E 64 315	CONTROLLER BOARD	1	1	1	1	1	1	1	1	1	1	C.B.	

# FUNCTIONAL AND ELECTRICAL PARTS

PUZ-ZM200YKA2.UK  
PUZ-ZM250YKA2.UK



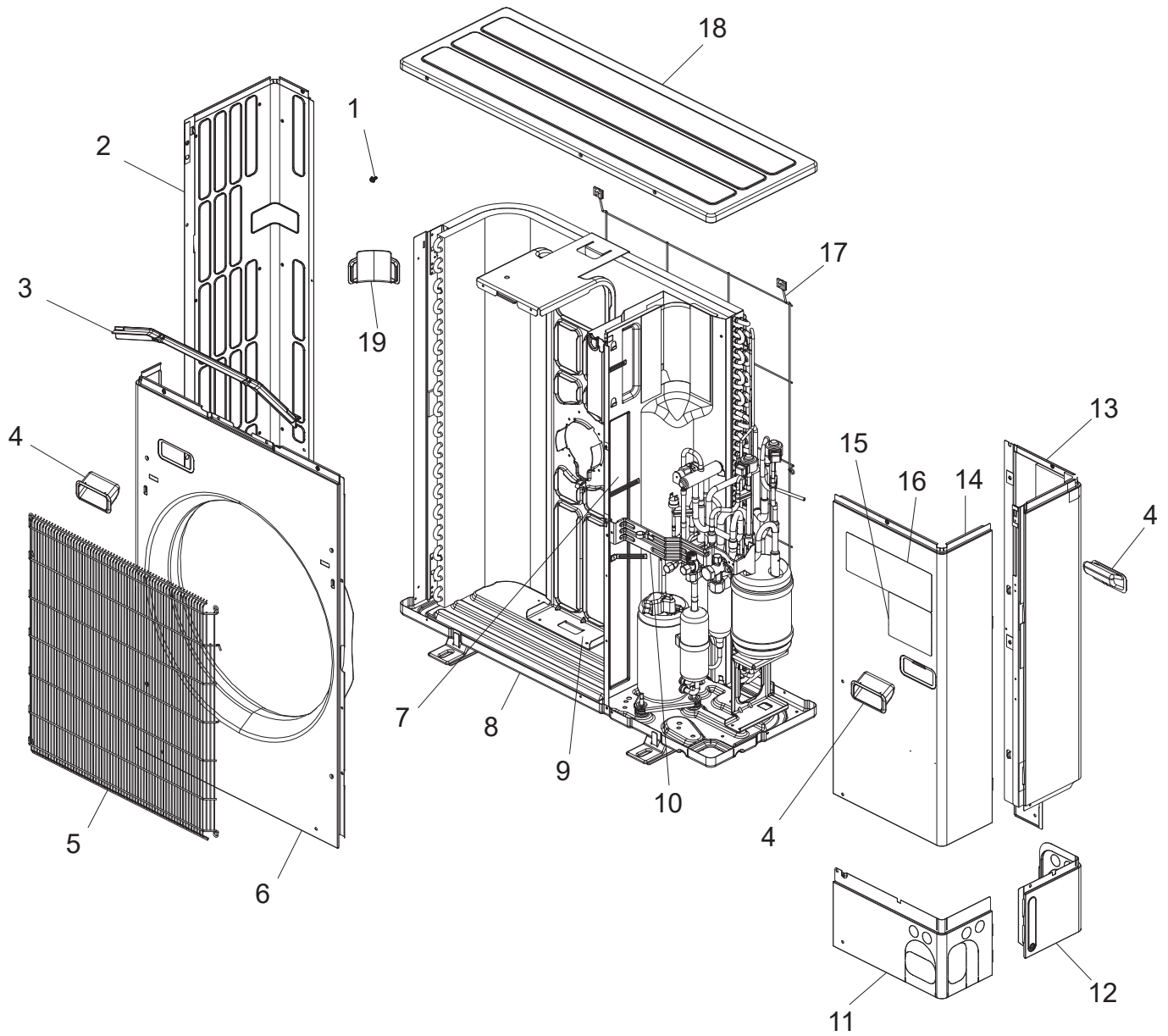
1. The part quantity below indicates the required number of pieces per unit.
2. The circled No. indicates that the part is not shown in the figure.

No.	Parts No.	Parts Name	PUZ-ZM200YKA2.UK	PUZ-ZM250YKA2.UK	Wiring Diagram Symbol	Remarks
1	S 7 0 E 9 6 7 6 3	FAN MOTOR	2	2	MF1, 2	
2	S 7 0 E 5 0 1 1 5	PROPELLER FAN	2	2		
3	S 7 0 K 0 1 0 9 7	NUT	2	2		
4	S 7 0 E 3 6 4 0 8	HEAT EXCHANGER (TOP)	1	1		
5	S 7 0 E 3 7 4 0 8 H	HEAT EXCHANGER (UNDER)	1	1		
6	S 7 0 E 4 5 4 0 0	COMPRESSOR	1	1	MC	AVB52FBAMT
7	S 7 0 E 0 2 0 0 4	RUBBER MOUNT	4	4		
8	S 7 0 6 0 0 4 1 8	STOP VALVE (LIQUID)	1			3/8"
8	S 7 0 7 0 0 4 1 8	STOP VALVE (LIQUID)		1		1/2"
9	S 7 0 E 1 7 0 9 7	FLARE NUT	1			3/8"
9	S 7 0 0 B 1 0 9 7	FLARE NUT		1		1/2"
10	S 7 0 E 0 8 4 1 1	BALL VALVE (GAS)	1	1		3/4"
11	S 7 0 E 1 6 0 9 7	FLARE NUT GAS	1	1		3/4"
12	S 7 0 E 2 5 4 4 0	POWER RECEIVER (ACCUMULATOR)	1	1		
13	S 7 0 E 5 7 2 0 2	THERMISTOR	1	1	TH4 (Discharge)	1180
14	S 7 0 4 2 L 4 5 0	STRAINER	1	1		#50
15	S 7 0 E 8 2 2 0 2	THERMISTOR	1	1	TH33 (Comp. Surface)	
16	S 7 0 E 0 2 4 1 3	CHARGE PLUG	2	2		
17	S 7 0 E 5 8 2 0 2	THERMISTOR	1	1	TH3 (Liquid)	1150/XAP
18	S 7 0 E 2 6 2 4 2	SOLENOID COIL	1	1	21S4	
19	S 7 0 E 0 6 4 0 3	REVERSING VALVE	1	1		
20	S 7 0 E 9 7 4 0 1	EXPANSION VALVE	2	2		UKV-40D352
21	S 7 0 E 3 0 4 0 2	LINEAR EXPANSION VALVE COIL	1	1		UKV-A277
22	S 7 0 E 4 0 4 0 2	LINEAR EXPANSION VALVE COIL	1	1		UKV-A358
23	S 7 0 E 3 1 2 0 2	THERMISTOR-W	1	1	TH6 (Ambient) TH7 (2-phase pipe)	850/105
24	S 7 0 E 1 0 2 0 8 H	HIGH PRESSURE SWITCH	1	1	63H	OFF 4.14 MPa
25	S 7 0 E 0 9 7 1 6	TERMINAL BED	1	1	TB1	5P(L1,L2,L3 N,E)
26	S 7 0 E 0 8 7 1 6	TERMINAL BED	1	1	TB2	3P(S1,S2,S3)
27	S 7 0 K 6 5 2 5 9	REACTOR	1	1	ACL4	
28	S 7 0 M 2 0 3 1 3	POWER BOARD	1	1	P.B.	
29	S 7 0 K 5 5 2 5 9	REACTOR	1	1	DCL	
30	S 7 0 E 5 5 2 0 2	THERMISTOR	1	1	TH8 (Heat sink)	
31	S 7 0 E 2 0 2 3 4	RESISTOR	1	1	RS	
32	S 7 0 M 1 0 3 4 6	NOISE FILTER	1	1	N.F.	
33	S 7 0 M 3 5 3 1 5	CONTROLLER BOARD	1	1	C.B.	
34	S 7 0 E 0 5 7 0 6	THERMAL PROTECTOR ASSY	1	1		

## STRUCTURAL PARTS

PUZ-ZM60VHA2.UK  
PUZ-ZM60VHA2-ET.UK  
PUZ-ZM60VHA2-ER.UK

PUZ-ZM71VHA2.UK  
PUZ-ZM71VHA2-ET.UK  
PUZ-ZM71VHA2-ER.UK



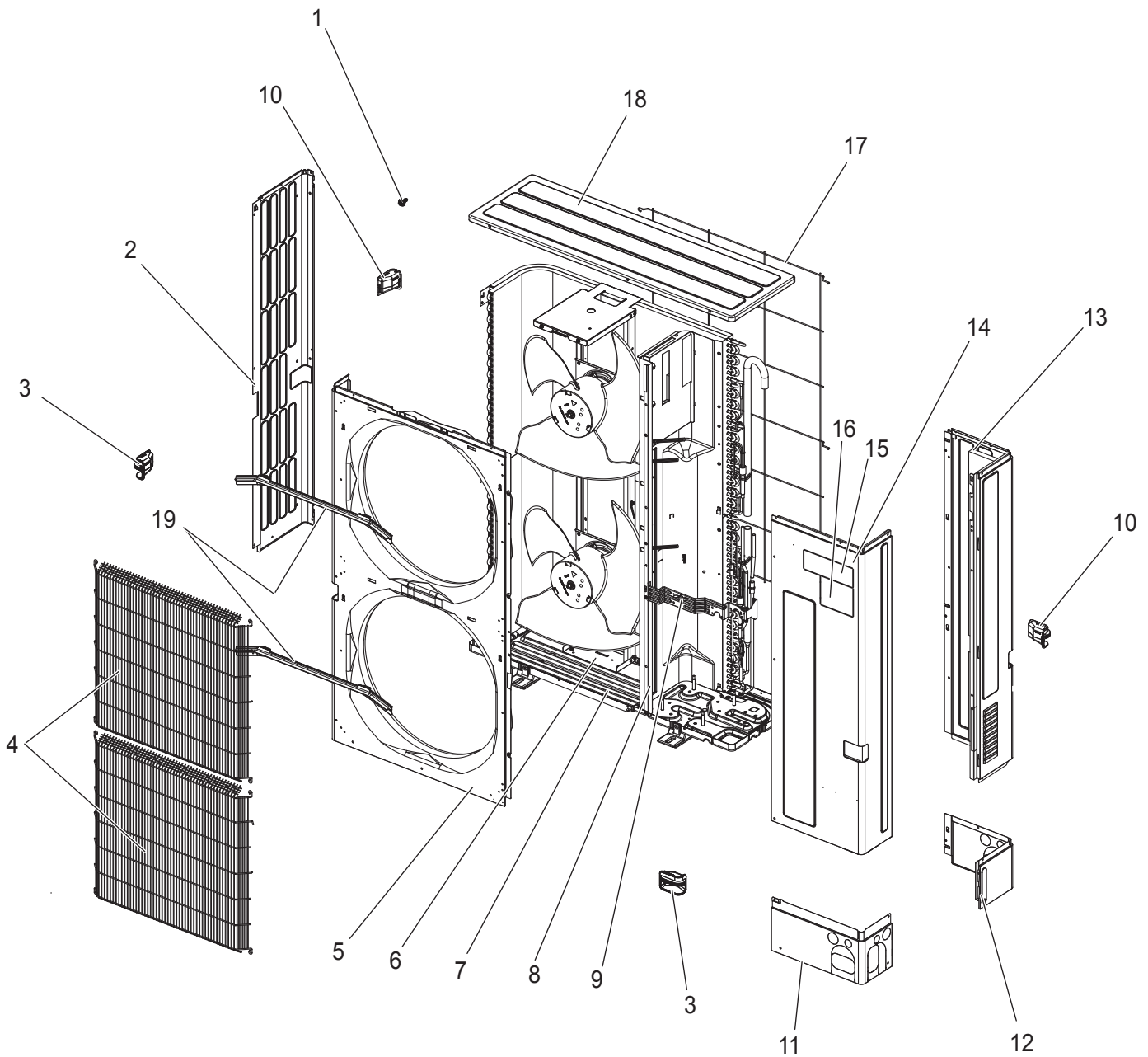
1. The part quantity below indicates the required number of pieces per unit.
2. The circled No. indicates that the part is not shown in the figure.

No.	Parts No.	Parts Name	PUZ-ZM60VHA2.UK	PUZ-ZM60VHA2-ET.UK	PUZ-ZM60VHA2-ER.UK	PUZ-ZM71VHA2.UK	PUZ-ZM71VHA2-ET.UK	PUZ-ZM71VHA2-ER.UK	Remarks [Drawing No.]
1	—	F.ST SCREW	32	32	32	32	32	32	(5×12), [DG12F536H12]
2	S 7 0 E 1 3 6 6 2	SIDE PANEL (L)	1	1	1	1	1	1	
3	S 7 0 E 2 0 6 3 1	ICE GUARD	1	1		1	1		
4	S 7 0 3 0 L 6 5 5	HANDLE	3	3	3	3	3	3	
5	S 7 0 E 0 6 6 7 5	WIRE GRILLE	1	1	1	1	1	1	
6	S 7 0 E 7 5 6 6 8	FRONT PANEL	1	1	1	1	1	1	
7	—	SEPARATOR	1	1	1	1	1	1	[BK00C456G44]
8	S 7 0 E 1 3 6 8 6	BASE ASSY	1	1	1	1	1	1	
9	S 7 0 E 1 5 1 3 0	MOTOR SUPPORT	1	1	1	1	1	1	
10	—	VALVE BED ASSY	1	1	1	1	1	1	[BK00C493G02]
11	S 7 0 E 3 5 6 5 8	COVER PANEL (FRONT)	1	1	1	1	1	1	
12	S 7 0 E 4 0 6 5 8	COVER PANEL (REAR)	1	1	1	1	1	1	
13	S 7 0 E 7 9 6 6 2	SIDE PANEL (R)	1	1	1	1	1	1	
14	S 7 0 E 7 7 6 6 1	SERVICE PANEL	1	1	1	1	1	1	
15	S 7 0 E 9 0 6 9 9	LABEL (POWER INV)	1	1	1	1	1	1	
16	S 7 0 E 9 4 6 9 9	LABEL (TM MITSUBISHI)	1	1	1	1	1	1	
17	S 7 0 E 1 0 6 9 8	REAR GUARD	1	1	1	1	1	1	
18	S 7 0 E 2 0 6 4 1	TOP PANEL	1	1	1	1	1	1	
19	S 7 0 E 1 0 6 5 5	HANDLE	1	1	1	1	1	1	

## STRUCTURAL PARTS

PUZ-ZM100VKA2.UK  
PUZ-ZM100VKA2-ET.UK  
PUZ-ZM100VKA2-ER.UK  
PUZ-ZM125VKA2.UK  
PUZ-ZM125VKA2-ET.UK  
PUZ-ZM125VKA2-ER.UK  
PUZ-ZM140VKA2.UK  
PUZ-ZM140VKA2-ET.UK  
PUZ-ZM140VKA2-ER.UK

PUZ-ZM100YKA2.UK  
PUZ-ZM100YKA2-ET.UK  
PUZ-ZM100YKA2-ER.UK  
PUZ-ZM125YKA2.UK  
PUZ-ZM125YKA2-ET.UK  
PUZ-ZM125YKA2-ER.UK  
PUZ-ZM140YKA2.UK  
PUZ-ZM140YKA2-ET.UK  
PUZ-ZM140YKA2-ER.UK

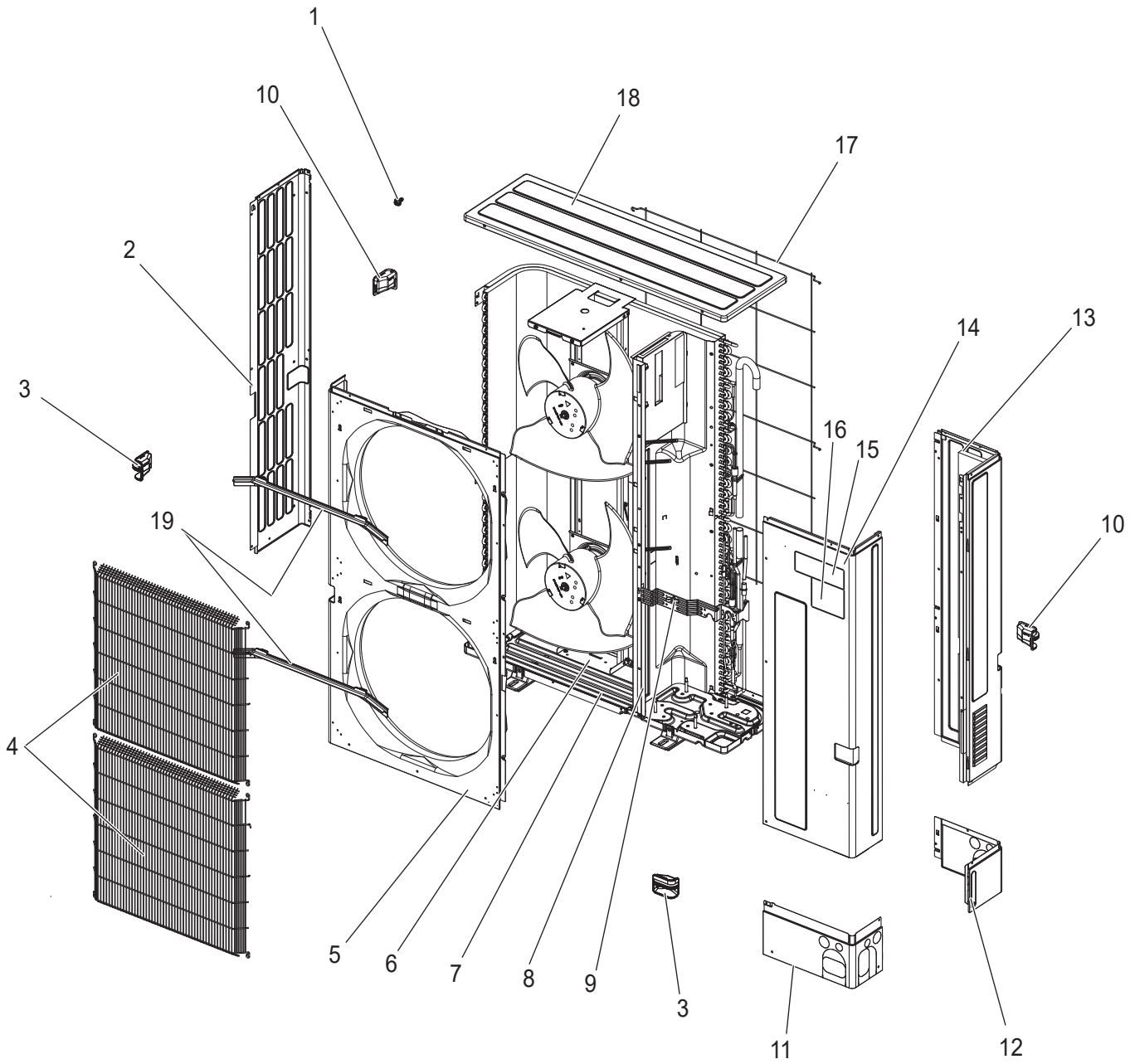


1. The part quantity below indicates the required number of pieces per unit.
2. The circled No. indicates that the part is not shown in the figure.

No.	Parts No.	Parts Name	PUZ-ZM100VKA2.UK	PUZ-ZM100VKA2-ET.UK	PUZ-ZM100VKA2-ER.UK	PUZ-ZM125VKA2.UK	PUZ-ZM125VKA2-ET.UK	PUZ-ZM125VKA2-ER.UK	PUZ-ZM140VKA2.UK	PUZ-ZM140VKA2-ET.UK	PUZ-ZM140VKA2-ER.UK	PUZ-ZM100YKA2.UK	PUZ-ZM100YKA2-ET.UK	PUZ-ZM100YKA2-ER.UK	PUZ-ZM125YKA2.UK	PUZ-ZM125YKA2-ET.UK	PUZ-ZM125YKA2-ER.UK	PUZ-ZM140YKA2.UK	PUZ-ZM140YKA2-ET.UK	PUZ-ZM140YKA2-ER.UK	Remarks [Drawing No.]
1	—	F.ST SCREW	60	60	60	60	60	60	60	60	60	60	60	60	60	60	60	60	60	60	[DG12F536H12] (5×12)
2	S 7 0 E 1 7 6 6 2	SIDE PANEL (L)	1	1	1	1	1	1	1	1	1	1	1	1	1	1	1	1	1	1	
3	S 7 0 E 2 0 6 5 5	HANDLE (FRONT)	2	2	2	2	2	2	2	2	2	2	2	2	2	2	2	2	2	2	
4	S 7 0 E 4 0 6 7 5	FAN GRILLE	2	2	2	2	2	2	2	2	2	2	2	2	2	2	2	2	2	2	
5	S 7 0 E 6 1 6 6 8	FRONT PANEL	1	1	1	1	1	1	1	1	1	1	1	1	1	1	1	1	1	1	
6	S 7 0 E 9 0 1 3 0	MOTOR SUPPORT	1	1	1	1	1	1	1	1	1	1	1	1	1	1	1	1	1	1	
7	S 7 0 E 1 9 6 8 6	BASE ASSY	1	1	1	1	1	1	1	1	1	1	1	1	1	1	1	1	1	1	
8	—	SEPARATOR	1	1	1	1	1	1	1	1	1										[RK00N735G01]
8	—	SEPARATOR										1	1	1	1	1	1	1	1	1	[BK00N021G07]
9	—	VALVE BED ASSY	1	1	1	1	1	1	1	1	1	1	1	1	1	1	1	1	1	1	[BK00R803G04]
10	S 7 0 E 3 0 6 5 5	HANDLE (REAR)	2	2	2	2	2	2	2	2	2	2	2	2	2	2	2	2	2	2	
11	S 7 0 E 5 5 6 5 8	COVER PANEL (FRONT)	1	1	1	1	1	1	1	1	1	1	1	1	1	1	1	1	1	1	
12	S 7 0 E 6 5 6 5 8	COVER PANEL (REAR)	1	1	1	1	1	1	1	1	1	1	1	1	1	1	1	1	1	1	
13	S 7 0 E 8 2 6 6 2	SIDE PANEL (R)	1	1	1	1	1	1	1	1	1	1	1	1	1	1	1	1	1	1	
14	S 7 0 E 4 7 6 6 1	SERVICE PANEL	1	1	1	1	1	1	1	1	1	1	1	1	1	1	1	1	1	1	
15	S 7 0 E 9 0 6 9 9	LABEL (BRAND POWER INV)	1	1	1	1	1	1	1	1	1	1	1	1	1	1	1	1	1	1	
16	S 7 0 E 9 4 6 9 9	LABEL (TRADE MARK)	1	1	1	1	1	1	1	1	1	1	1	1	1	1	1	1	1	1	
17	S 7 0 E 3 0 6 9 8	REAR GUARD	1	1	1	1	1	1	1	1	1	1	1	1	1	1	1	1	1	1	
18	S 7 0 E 6 0 6 4 1	TOP PANEL	1	1	1	1	1	1	1	1	1	1	1	1	1	1	1	1	1	1	
19	S 7 0 E 1 0 6 3 1	ICE GUARD	2	2	2	2	2	2	2	2	2	2	2	2	2	2	2	2	2	2	

# STRUCTURAL PARTS

PUZ-ZM200YKA2.UK  
PUZ-ZM250YKA2.UK

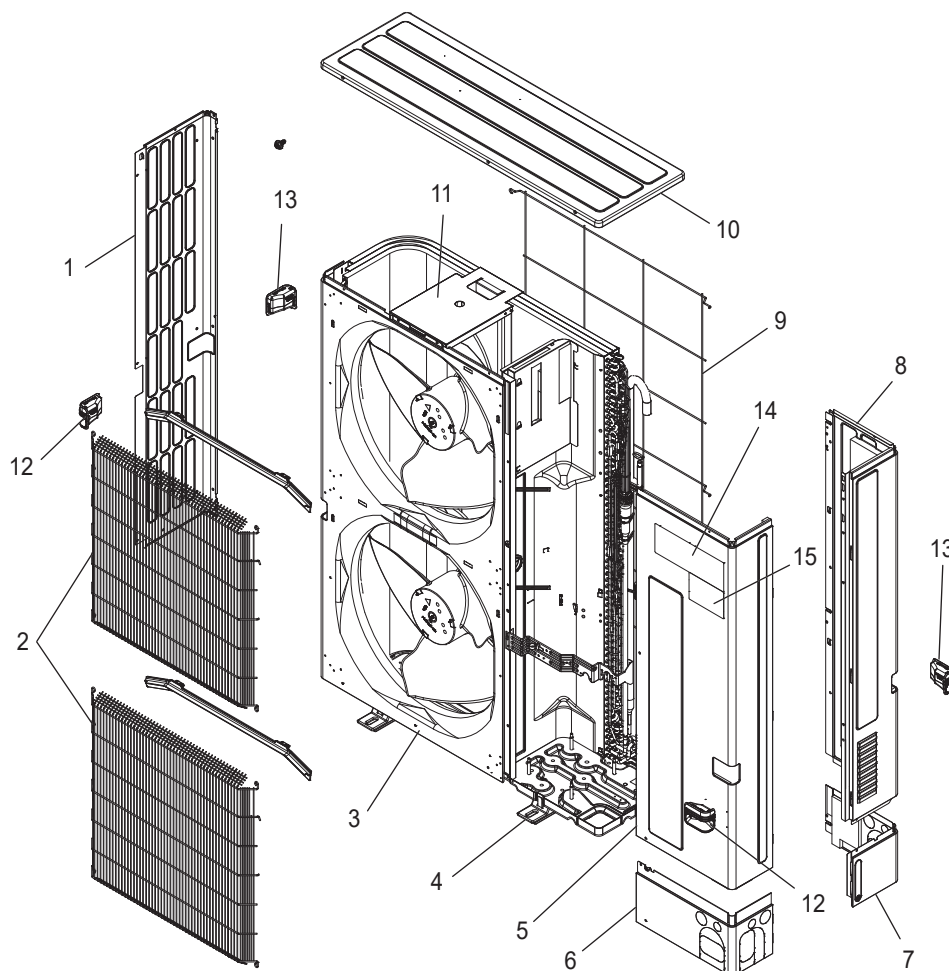




1. The part quantity below indicates the required number of pieces per unit.
2. The circled No. indicates that the part is not shown in the figure.

No.	Parts No.	Parts Name	PUZ-ZM200YKA2.UK	PUZ-ZM250YKA2.UK	Remarks [Drawing No.]
1	—	F.ST SCREW	64	64	(5×12), [DG12F536H12]
2	S 7 0 E 1 7 6 6 2	SIDE PANEL (L)	1	1	
3	S 7 0 E 2 0 6 5 5	HANDLE (FRONT)	2	2	
4	S 7 0 E 4 0 6 7 5	FAN GRILLE	2	2	
5	S 7 0 E 6 1 6 6 8	FRONT PANEL	1	1	
6	S 7 0 E 9 5 1 3 0	MOTOR SUPPORT	1	1	
7	S 7 0 E 9 1 6 8 6	BASE ASSY	1	1	
8	—	SEPARATOR	1	1	[BK00N021G60]
9	—	VALVE BED ASSY	1	1	[GK00C012G01]
10	S 7 0 E 3 0 6 5 5	HANDLE (REAR)	2	2	
11	S 7 0 E 5 5 6 5 8	COVER PANEL (FRONT)	1	1	
12	S 7 0 E 6 5 6 5 8	COVER PANEL (REAR)	1	1	
13	S 7 0 E 1 8 6 6 2	SIDE PANEL (R)	1	1	
14	S 7 0 E 4 7 6 6 1	SERVICE PANEL	1	1	
15	S 7 0 E 9 4 6 9 9	LABEL (T MARK MITSUBISHI)	1	1	
16	S 7 0 E 9 0 6 9 9	LABEL (T MARK SLIM_R32 & INV)	1	1	
17	S 7 0 E 3 0 6 9 8	REAR GUARD	1	1	
18	S 7 0 E 4 0 6 4 1	TOP PANEL	1	1	
19	S 7 0 E 1 0 6 3 1	ICE GUARD	2	2	

## STRUCTURAL PARTS

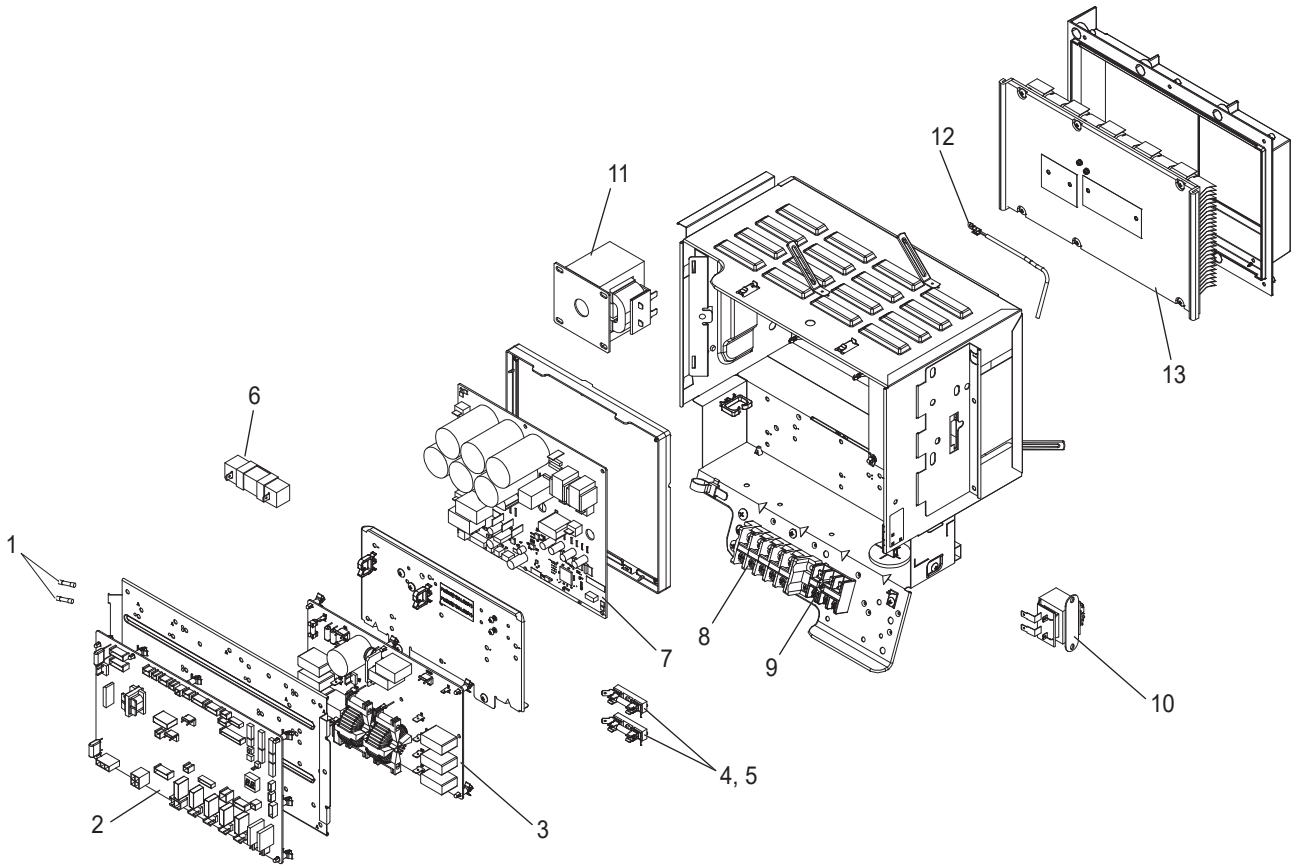


1. The part quantity below indicates the required number of pieces per unit.

2. The circled No. indicates that the part is not shown in the figure.

No.	Parts No.	Parts Name							Remarks
			PUZ-ZM200YKA2R1	PUZ-ZM200YKA2-ETR1	PUZ-ZM200YKA2-ERR1	PUZ-ZM250YKA2R1	PUZ-ZM250YKA2-ETR1	PUZ-ZM250YKA2-ERR1	
1	R 0 1 E 3 0 6 6 2	SIDE PANEL (L)	1	1	1	1	1	1	
2	T 7 W E 1 3 6 9 1	WIRE GRILLE	2	2	2	2	2	2	
3	R 0 1 E 2 3 6 6 8	FRONT PANEL	1	1	1	1	1	1	
4	T 7 W E 3 5 6 8 6	BASE ASSY	1	1	1	1	1	1	
5	T 7 W E 2 1 6 6 7	SERVICE PANEL	1	1	1	1	1	1	
6	R 0 1 E 4 1 6 5 8	COVER PANEL (FRONT)	1	1	1	1	1	1	
7	T 7 W R 0 0 6 5 8	COVER PANEL (REAR)	1	1	1	1	1	1	
8	T 7 W E 3 0 6 6 1	SIDE PANEL (R)	1	1	1	1	1	1	
9	R 0 1 E 1 0 6 9 8	REAR GUARD	1	1	1	1	1	1	
10	R 0 1 E 3 6 6 4 1	TOP PANEL	1	1	1	1	1	1	
11	R 0 1 E 6 0 1 3 0	MOTOR SUPPORT	1	1	1	1	1	1	
12	R 0 1 E 0 5 6 5 5	HANDLE (FRONT)	2	2	2	2	2	2	
13	R 0 1 E 0 6 6 5 5	HANDLE (REAR)	2	2	2	2	2	2	
14	T 7 W B 0 0 0 0 5	BRAND LABEL	1	1	1	1	1	1	
15	T 7 W A 1 2 0 0 5	BRAND LABEL (MR.SLIM)	1	1	1	1	1	1	

# ELECTRICAL PARTS



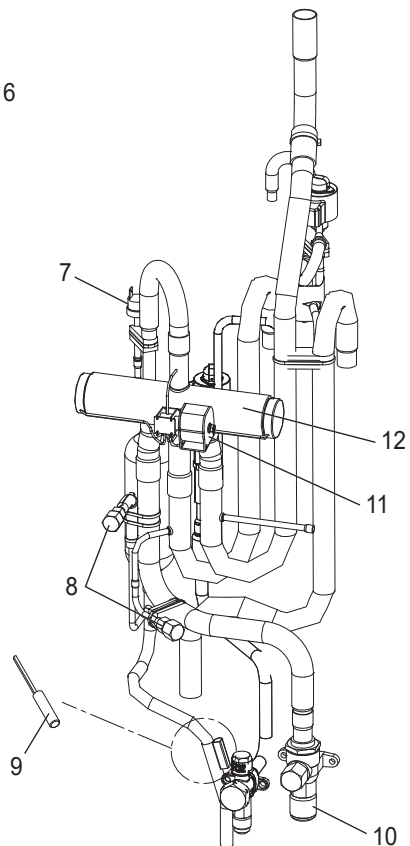
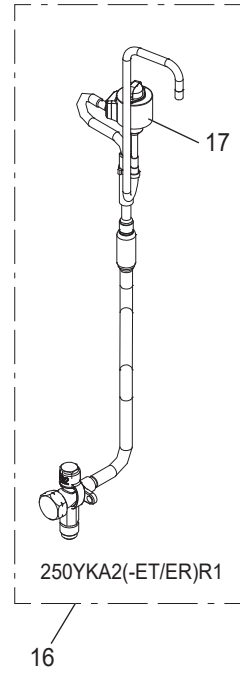
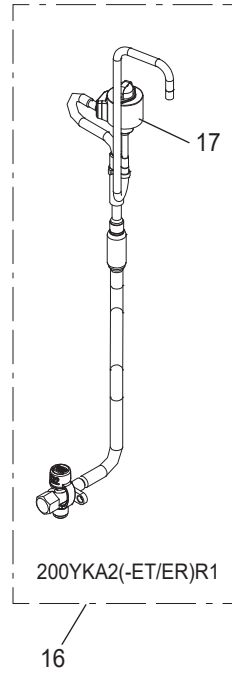
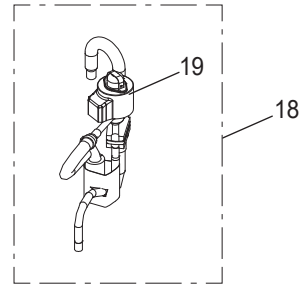
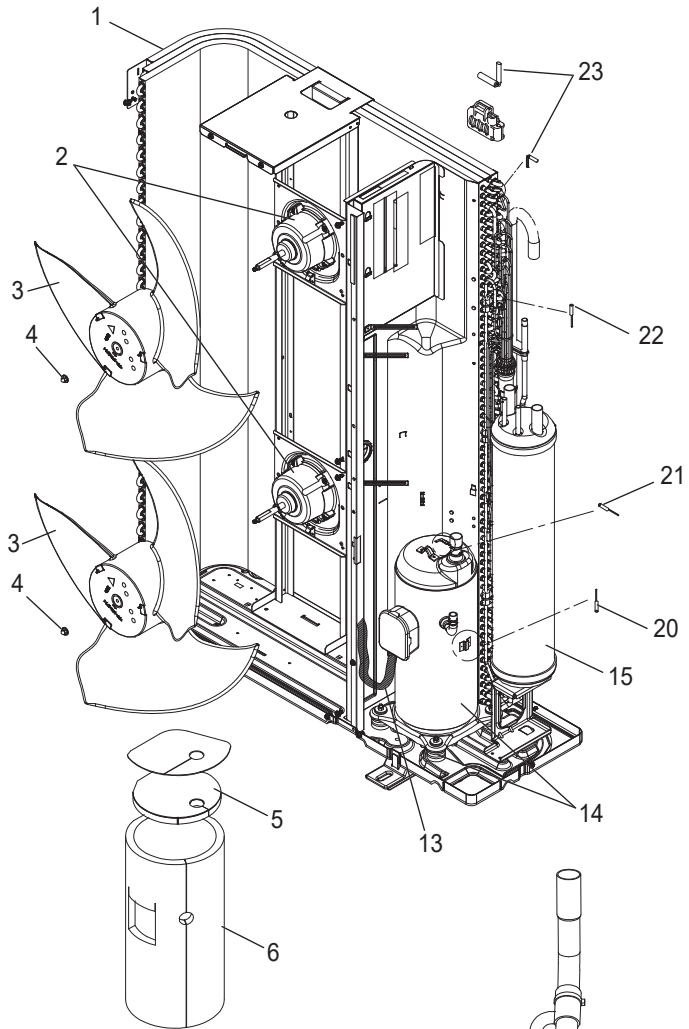
1. The part quantity below indicates the required number of pieces per unit.
2. The circled No. indicates that the part is not shown in the figure.

No.	Parts No.	Parts Name	PUZ-ZM200YKA2R1	PUZ-ZM200YKA2-ETR1	PUZ-ZM200YKA2-ERR1	PUZ-ZM250YKA2R1	PUZ-ZM250YKA2-ETR1	PUZ-ZM250YKA2-ERR1	Wiring Diagram Symbol	Remarks
1	R 0 1 E 1 4 2 3 9	FUSE 6.3 A 250 V	2	2	2	2	2	2	F3, F4	
2	T 7 W S 5 5 3 1 5	CONTROLLER BOARD	1	1	1	1	1	1	C.B.	
3	T 7 W E 4 1 3 4 6	NOISE FILTER	1	1	1	1	1	1	N.F.	
4	R 0 1 E 0 7 2 3 9	FUSE 15 A 250 V	2	2	2	2	2	2	FUSE1, 2	
5	R 0 1 3 0 L 2 4 1	FUSE HOLDER	2	2	2	2	2	2		
6	R 0 1 E 1 0 2 3 3	RESISTOR	1	1	1	1	1	1	RS	
7	T 7 W S 1 4 3 2 3	POWER BOARD	1	1	1	1	1	1	P.B.	
8	T 7 W E 3 0 7 1 6	T.B./L1.L2.L3.N.E	1	1	1	1	1	1	TB1	
9	R 0 1 E 1 9 2 4 6	T.B./S1.S2.S3	1	1	1	1	1	1	TB2	
10	T 7 W E 3 7 2 5 9	REACTOR	1	1	1	1	1	1	ACL4	
11	T 7 W E 3 8 2 5 9	REACTOR	1	1	1	1	1	1	DCL	
12	R 0 1 M 1 6 2 0 2	THERMISTOR (HS)	1	1	1	1	1	1	TH8 (Heat sink)	
13	T 7 W A 0 6 3 7 1	HEAT SINK	1	1	1	1	1	1		Includes SCREWS

# FUNCTIONAL PARTS

PUZ-ZM200YKA2R1  
 PUZ-ZM200YKA2-ETR1  
 PUZ-ZM200YKA2-ERR1

PUZ-ZM250YKA2R1  
 PUZ-ZM250YKA2-ETR1  
 PUZ-ZM250YKA2-ERR1



1. The part quantity below indicates the required number of pieces per unit.
2. The circled No. indicates that the part is not shown in the figure.

No.	Parts No.	Parts Name	PUZ-ZM200YKA2R1	PUZ-ZM200YKA2-ETR1	PUZ-ZM200YKA2-ERR1	PUZ-ZM250YKA2R1	PUZ-ZM250YKA2-ETR1	PUZ-ZM250YKA2-ERR1	Wiring Diagram Symbol	Remarks
1	T7W F02 408	HEAT EXCHANGER	1	1	1	1	1	1		
2	R01 C01 221	FAN MOTOR	2	2	2	2	2	2	MF1, 2	
3	R01 E16 115	PROPELLER FAN/D550	2	2	2	2	2	2		
4	R01 E16 097	CAP NUT (MEC) M6	2	2	2	2	2	2		
5	R01 A77 602	COMP FELT (TOP)	1	1	1	1	1	1		
6	T7W B12 602	COMP FELT-B/AVB52	1		1	1		1		
6	T7W B16 602	COMP FELT-B/AVB52(ET		1			1			
7	R01 H06 208	HIGH PRESSURE SWITCH	1	1	1	1	1	1	63H	
8	R01 E31 413	CHARGE PLUG/LB90	2	2	2	2	2	2		Hi/Lo
9	R01 E35 201	THERMISTOR (DIS)	1	1	1	1	1	1	TH4 (Discharge)	
10	R01 E13 411	BALL VALVE&STRAINER	1	1	1	1	1	1		3/4
11	T7W E96 242	SOLENOID COIL (21S4)	1	1	1	1	1	1	21S4	Includes SCREW
12	R01 E38 403	4WAY VALVE	1	1	1	1	1	1	21S4	
13	T7W C07 510	LEAD ASSY COMP	1	1	1	1	1	1		
14	T97 4A0 000	COMPRESSOR	1	1	1	1	1	1	MC	AVB52FBAMT Includes RUBBER MOUNT
15	T7W R02 440	POWER RECEIVER	1	1	1	1	1	1		
16	T7W B13 401	LEV ASSY-B/REC-V	1	1	1				LEV-B	
16	T7W B14 401	LEV ASSY-B/REC-V				1	1	1	LEV-B	
17	R01 H34 242	COIL(LEV)/XAP-5P RED	1	1	1	1	1	1	LEV-B	
18	R01 A20 401	LEV ASSY-A/C-REC	1	1	1	1	1	1	LEV-A	
19	R01 HR7 242	COIL(LEV)/XAP-5P WH	1	1	1	1	1	1	LEV-A	
20	T7W E25 201	TRS ASSY	1	1	1	1	1	1	TRS	
21	R01 E39 201	THERMISTOR/SHELL	1	1	1	1	1	1	TH33 (Compressor)	
22	R01 N01 202	THERMISTOR-H	1	1	1	1	1	1	TH3 (Liquid)	
23	R01 H96 202	THERMISTOR W	1	1	1	1	1	1	TH6 (2-Phase Pipe) TH7 (Ambient)	Combined Port

**Mr. SLIM**

**mitsubishi electric corporation**

HEAD OFFICE: TOKYO BUILDING, 2-7-3, MARUNOUCHI, CHIYODA-KU, TOKYO 100-8310, JAPAN

©Copyright 2021 MITSUBISHI ELECTRIC CORPORATION  
Issued: Apr. 2024 No.OCB771 REVISED EDITION-D  
Issued: Aug. 2022 No.OCB771 REVISED EDITION-C  
Issued: Feb. 2022 No.OCB771 REVISED EDITION-B  
Issued: Oct. 2021 No.OCB771 REVISED EDITION-A  
Published: Sep. 2021 No.OCB771  
Made in Japan

Specifications are subject to change without notice.