

PARTS CATALOG

Series PLA Ceiling Cassettes

R32/R410A
Indoor unit

[Model Name]	[Service Ref.]
PLA-M35EA2	PLA-M35EA2.UK
PLA-M35EA2-ER	PLA-M35EA2-ER.UK
PLA-M35EA2-ET	PLA-M35EA2-ET.UK
PLA-M50EA2	PLA-M50EA2.UK
PLA-M50EA2-ER	PLA-M50EA2-ER.UK
PLA-M50EA2-ET	PLA-M50EA2-ET.UK
PLA-M60EA2	PLA-M60EA2.UK
PLA-M60EA2-ER	PLA-M60EA2-ER.UK
PLA-M60EA2-ET	PLA-M60EA2-ET.UK
PLA-M71EA2	PLA-M71EA2.UK
PLA-M71EA2-ER	PLA-M71EA2-ER.UK
PLA-M71EA2-ET	PLA-M71EA2-ET.UK
PLA-M100EA2	PLA-M100EA2.UK
PLA-M100EA2-ER	PLA-M100EA2-ER.UK
PLA-M100EA2-ET	PLA-M100EA2-ET.UK
PLA-M125EA2	PLA-M125EA2.UK
PLA-M125EA2-ER	PLA-M125EA2-ER.UK
PLA-M125EA2-ET	PLA-M125EA2-ET.UK
PLA-M140EA2	PLA-M140EA2.UK
PLA-M140EA2-ER	PLA-M140EA2-ER.UK
PLA-M140EA2-ET	PLA-M140EA2-ET.UK

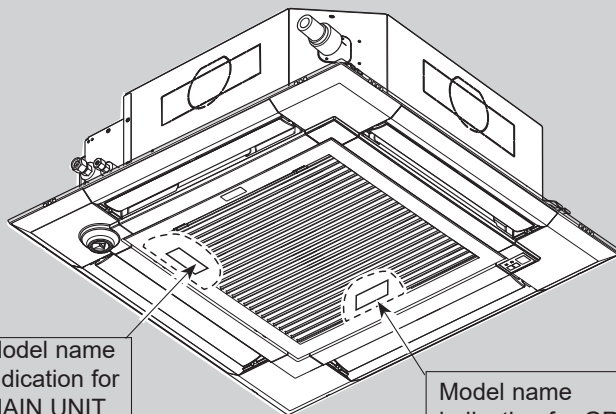
Revision:

- PLP-6EAB has been added in REVISED EDITION-A.

OCB783 is void.

Grille model

[Model Name]	[Service Ref.]	
PLP-6EA	PLP-6EA	PLP-6EAR1
PLP-6EAE	PLP-6EAE	PLP-6EAER1
PLP-6EAL	PLP-6EAL	PLP-6EALR1
PLP-6EAL	PLP-6EAL	PLP-6EALER1
PLP-6EAL	PLP-6EAL	
PLP-6EAJ	PLP-6EAJ	
PLP-6EAJE	PLP-6EAJE	
PLP-6EALM2	PLP-6EALM2	
PLP-6EALME2	PLP-6EALME2	
PLP-6EAB	PLP-6EAB	


INDOOR UNIT
CONTENTS

1. SERVICE PARTS LIST 2
2. OPTIONAL PARTS 11

SERVICE MANUAL (OCH783)

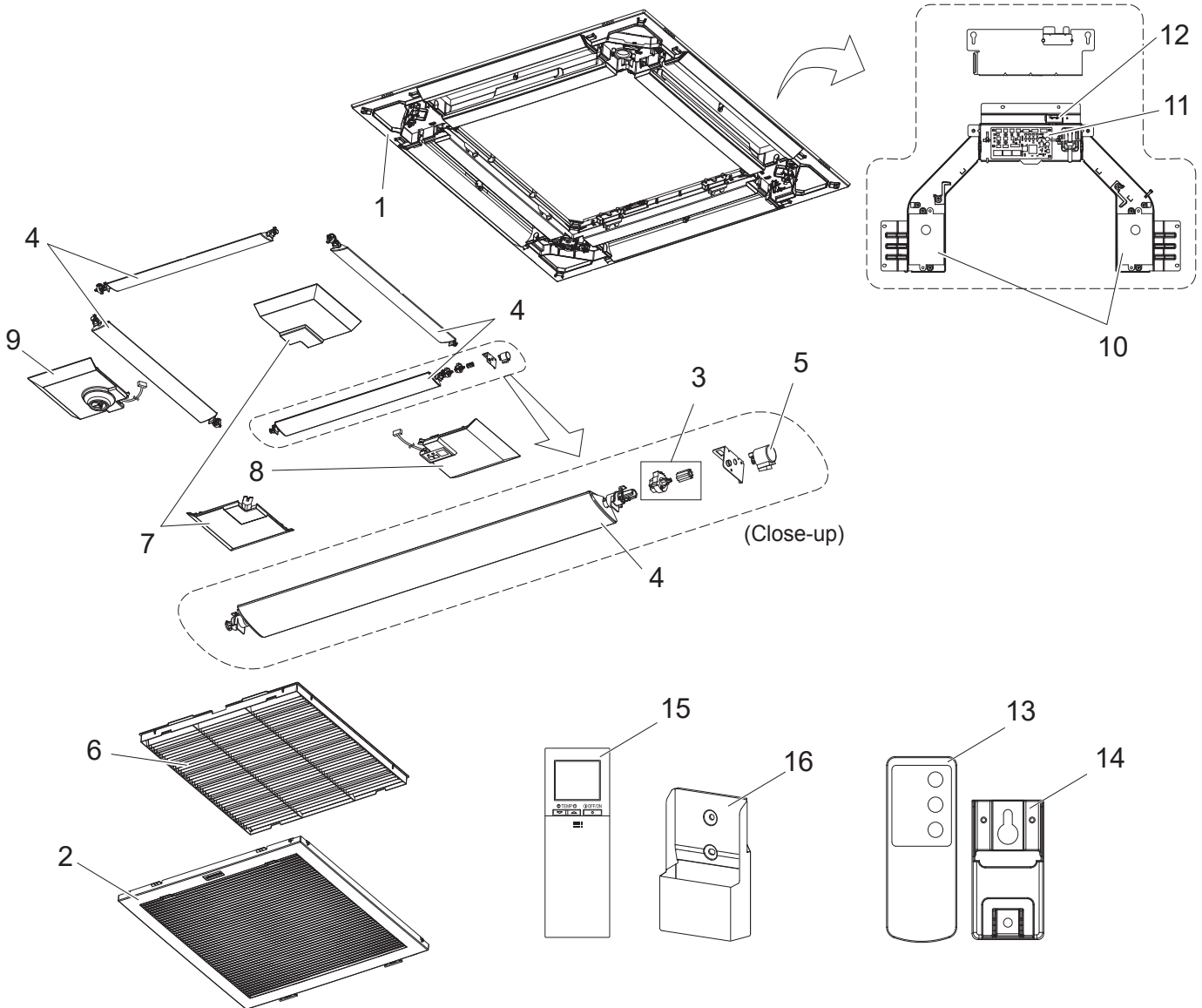
1

SERVICE PARTS LIST

GRILLE PARTS

[Service Ref.]

PLP-6EA	PLP-6EAR1	(Standard)
PLP-6EAL	PLP-6EALR1	(Standard with signal receiver)
PLP-6EAE	PLP-6EAER1	(Standard with i-see Sensor)
PLP-6EALE	PLP-6EALER1	(Standard with signal receiver and i-see Sensor)
PLP-6EAJ		(Elevation)
PLP-6EAJE		(Elevation with i-see Sensor)
PLP-6EALM2		(Standard with signal receiver and wireless remote controller)
PLP-6EALME2		(Standard with signal receiver, i-see Sensor, and wireless remote controller)

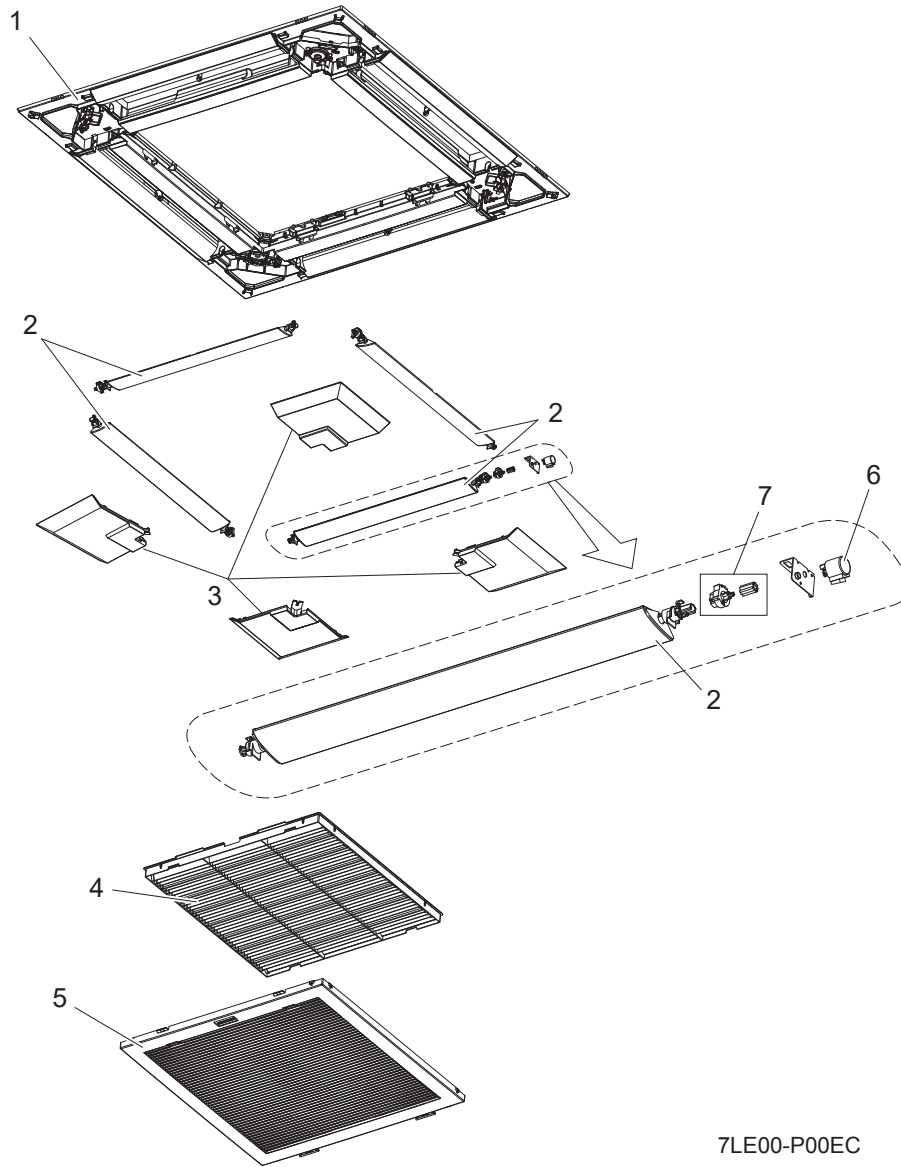


1. The part quantity below indicates the required number of pieces per unit.
2. The circled No. indicates that the part is not shown in the figure.

No.	Parts No.			Parts Name	PLP-6EA	PLP-6EAR1	PLP-6EAL	PLP-6EALR1	PLP-6EAE	PLP-6EAER1	PLP-6EALE	PLP-6EALER1	PLP-6EAJ	PLP-6EAJE	PLP-6EALM2	PLP-6EALME2	Wiring Diagram Symbol	Remarks
1	E27	D72	003	AIR OUTLET GRILLE	1	1		1		1								
1	E27	F85	003	AIR OUTLET GRILLE		1		1		1		1	1	1	1	1		
2	E27	D72	010	INTAKE GRILLE	1	1		1		1								
2	E27	F85	010	INTAKE GRILLE		1		1		1					1	1		
2	E27	F91	010	INTAKE GRILLE									1	1				
3	E27	D72	031	GEAR (VANE & S/M)	4	4		4		4								
3	E27	F85	031	GEAR (VANE & S/M)		4		4		4		4	4	4	4	4		
4	E27	D72	037	AUTO VANE & VANE BUSH	4	4		4		4								1PC/SET
4	E27	F85	037	AUTO VANE & VANE BUSH		4		4		4		4	4	4	4	4		1PC/SET
5	E27	103	303	VANE MOTOR	4	4	4	4	4	4	4	4	4	4	4	4	MV	1PC/SET
6	E27	D72	100	AIR FILTER	1	1		1		1								
6	E27	F85	100	AIR FILTER		1		1		1		1	1	1	1	1		
7	E27	D72	975	CORNER PANEL	4	3		3		2								
7	E27	F85	975	CORNER PANEL		4		3		3		2	3	2	3	2		1PC/SET
8	E27	D73	975	CORNER PANEL (Signal receiver)			1			1								
8	E27	F88	975	CORNER PANEL (Signal receiver)				1				1	1	1	1	1		
9	E27	D74	975	CORNER PANEL (i-see Sensor)					1		1							
9	E27	F86	975	CORNER PANEL (i-see Sensor)						1		1			1			
10	E27	F91	471	MOTOR BOX									2	2				2PCS/SET
11	E27	F91	447	INDOOR CONTROLLER BOARD									1	1				
12	E27	F91	316	LIMIT SWITCH									1	1				
13	E27	F91	426	REMOTE CONTROLLER INFRARED									1	1				for Elevation panel
14	E27	F91	083	REMOTE CONTROLLER HOLDER									1	1				for Elevation panel
15	E27	58G	426	REMOTE CONTROLLER INFRARED											1	1		PAR-SL101A-E
16	E27	D44	083	REMOTE CONTROLLER HOLDER											1	1		for PAR-SL101A-E

PLP-6EAB

(Black panel)



7LE00-P00EC

1. The part quantity below indicates the required number of pieces per unit.

2. The circled No. indicates that the part is not shown in the figure.

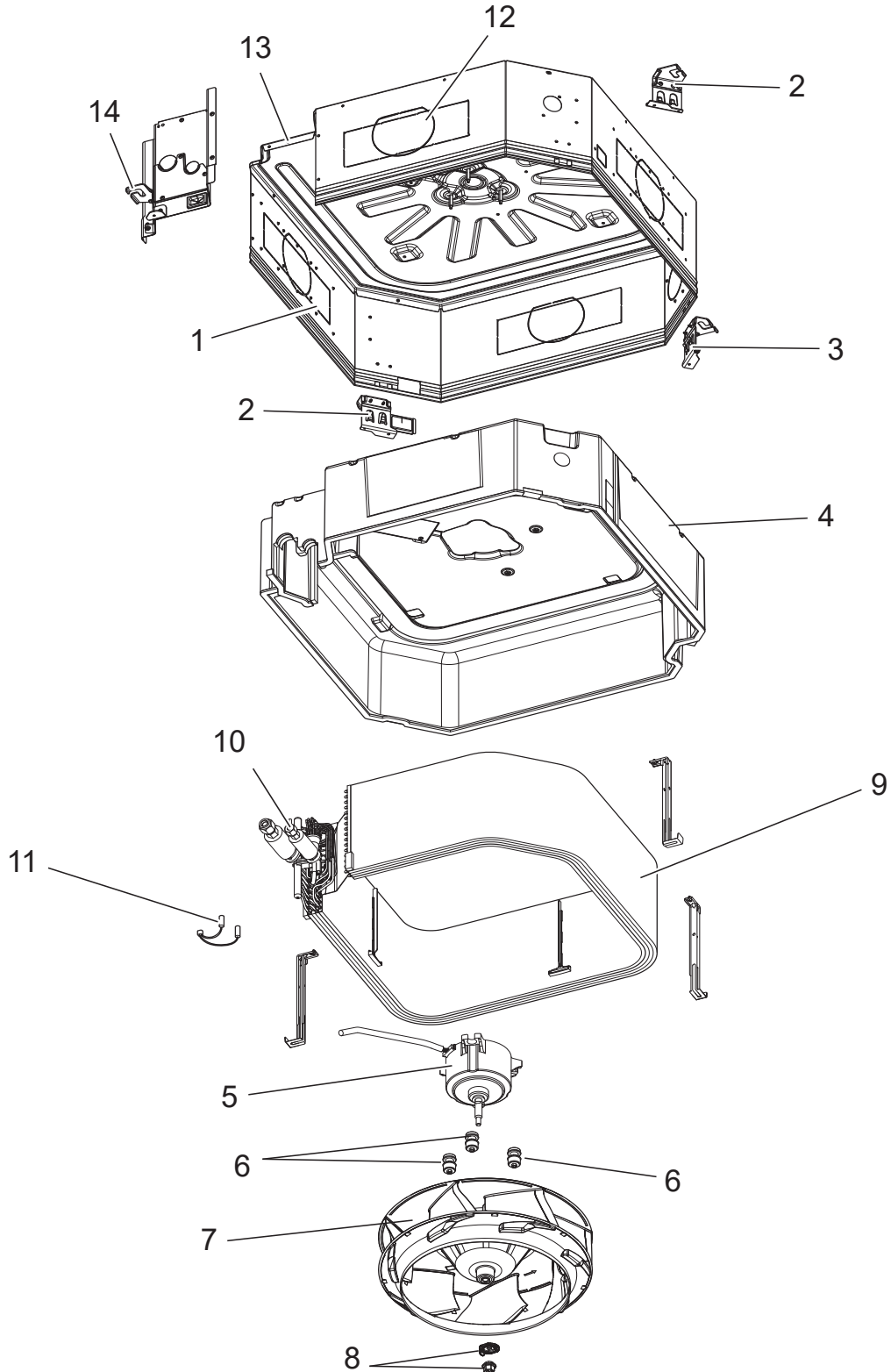
No.	Parts No.	Parts Name	PLP-6EAB	Wiring Diagram Symbol	Remarks
1	T7W E24 003	PANEL ASSY	1		
2	T7W E15 002	VANE & BUSH ASSY	4		
3	T7W E14 638	CORNER PANEL	4		
4	T7W E05 500	L.L FILTER	1		
5	T7W E27 691	INTAKE GRILLE	1		
6	R01 E19 223	STEPPING MOTOR	4	MV	
7	R01 E06 040	GEARS SET	4		

STRUCTURAL AND FUNCTIONAL PARTS

PLA-M35EA2.UK
PLA-M50EA2.UK
PLA-M60EA2.UK
PLA-M71EA2.UK

PLA-M35EA2-ER.UK
PLA-M50EA2-ER.UK
PLA-M60EA2-ER.UK
PLA-M71EA2-ER.UK

PLA-M35EA2-ET.UK
PLA-M50EA2-ET.UK
PLA-M60EA2-ET.UK
PLA-M71EA2-ET.UK



1. The part quantity below indicates the required number of pieces per unit.
2. The circled No. indicates that the part is not shown in the figure.

No.	Parts No.			Parts Name	PLA-M35EA2.UK	PLA-M35EA2-ER.UK	PLA-M35EA2-ET.UK	PLA-M50EA2.UK	PLA-M50EA2-ER.UK	PLA-M50EA2-ET.UK	PLA-M60EA2.UK	PLA-M60EA2-ER.UK	PLA-M60EA2-ET.UK	PLA-M71EA2.UK	PLA-M71EA2-ER.UK	PLA-M71EA2-ET.UK	Wiring Diagram Symbol	Remarks
					1	1	1	1	1	1	1	1	1	1	1	1		
1	S70	0B7	688	DRUM 2 ASSY	1	1	1	1	1	1	1	1	1	1	1	1		
2	S70	EA2	130	LEG PUMP	2	2	2	2	2	2	2	2	2	2	2	2		
3	S70	EA1	130	LEG EA	1	1	1	1	1	1	1	1	1	1	1	1		
4	S70	0B4	659	INNER COVER ASSY-S	1	1	1	1	1	1	1	1	1	1	1	1		
5	S70	0B4	762	FAN MOTOR	1	1	1	1	1	1	1	1	1	1	1	1	MF	(DC)-S
6	S70	0B1	105H	MOTOR MOUNT	3	3	3	3	3	3	3	3	3	3	3	3		
7	S70	0B4	114	TURBO FAN	1	1	1	1	1	1	1	1	1	1	1	1		
8	S70	11B	097	SPL WASHER/NUT	1	1	1	1	1	1	1	1	1	1	1	1		
9	S70	B29	480	HEAT EXCHANGER	1	1	1	1	1	1								
9	S70	B30	480	HEAT EXCHANGER							1	1	1					
9	S70	B28	480	HEAT EXCHANGER										1	1	1		
10	S70	0B2	097	FLARE NUT	1	1	1	1	1	1								1/2"
10	S70	0B3	097	FLARE NUT	1	1	1	1	1	1								1/4"
10	S70	0B4	097	FLARE NUT							1	1	1	1	1	1		3/8"
10	S70	0B5	097	FLARE NUT							1	1	1	1	1	1		5/8"
11	S70	0B5	202	THERMISTOR	1	1	1	1	1	1	1	1	1	1	1	1	TH2/TH5	
12	S70	0B5	688	DRUM 1 ASSY	1	1	1	1	1	1	1	1	1	1	1	1		
13	S70	0B2	687	BASE	1	1	1	1	1	1	1	1	1	1	1	1		
14	S70	EA3	130	LEG PIPE	1	1	1	1	1	1	1	1	1	1	1	1		

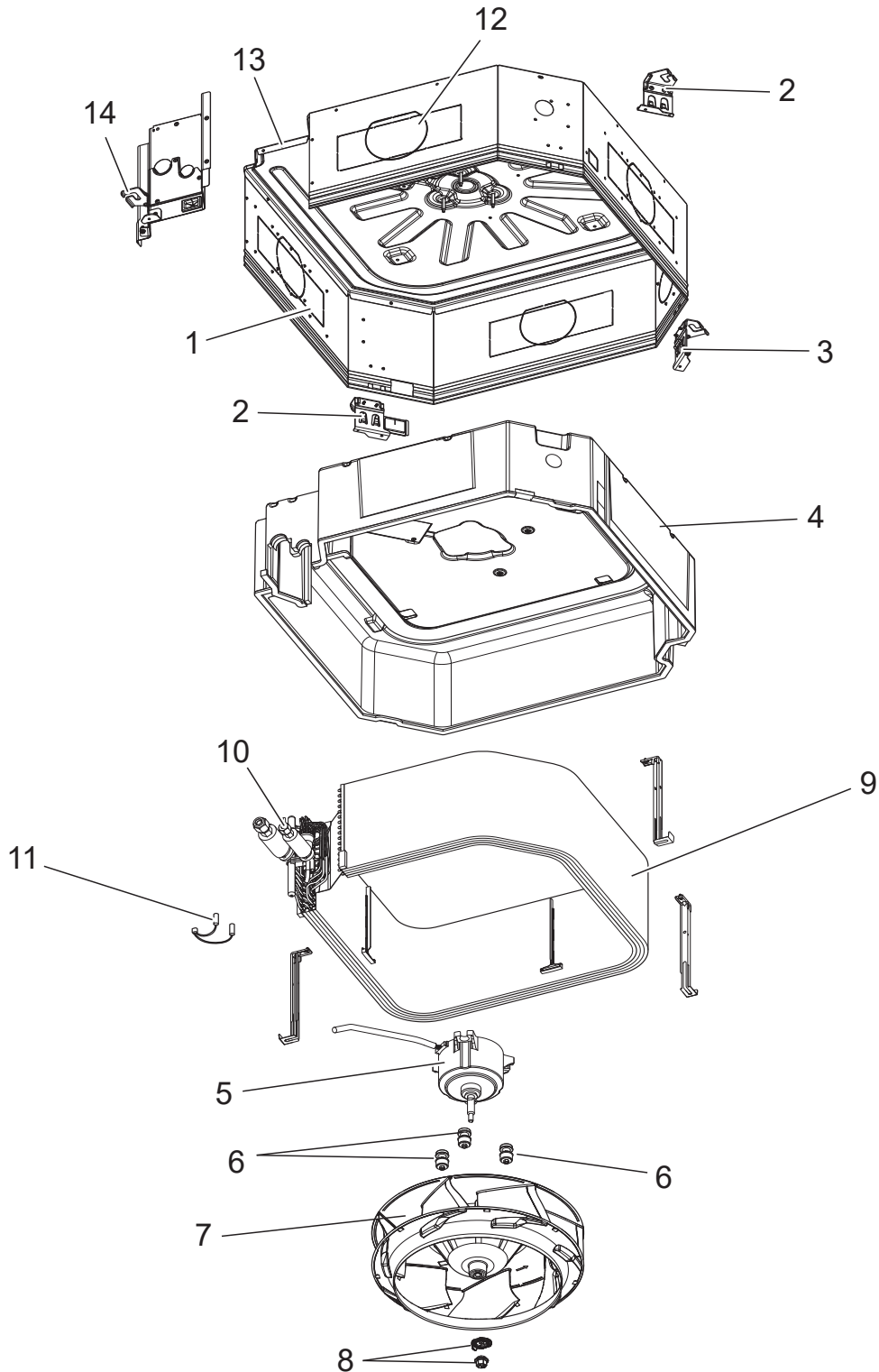


STRUCTURAL AND FUNCTIONAL PARTS

PLA-M100EA2.UK
PLA-M125EA2.UK
PLA-M140EA2.UK

PLA-M100EA2-ER.UK
PLA-M125EA2-ER.UK
PLA-M140EA2-ER.UK

PLA-M100EA2-ET.UK
PLA-M125EA2-ET.UK
PLA-M140EA2-ET.UK





1. The part quantity below indicates the required number of pieces per unit.
2. The circled No. indicates that the part is not shown in the figure.

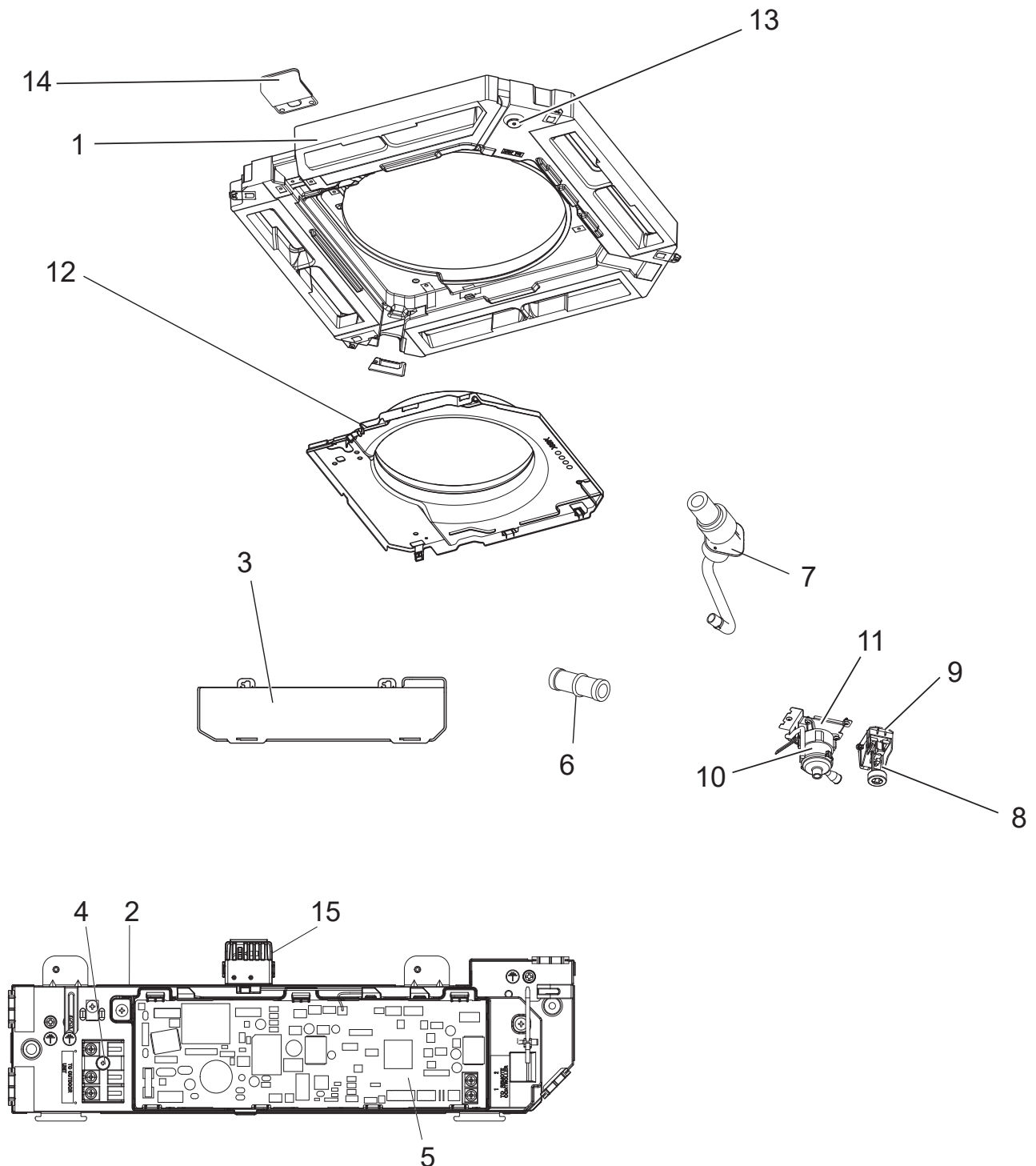
No.	Parts No.			Parts Name	PLA-M100EA2.UK	PLA-M100EA2-ER.UK	PLA-M100EA2-ET.UK	PLA-M125EA2.UK	PLA-M125EA2-ER.UK	PLA-M125EA2-ET.UK	PLA-M140EA2.UK	PLA-M140EA2-ER.UK	PLA-M140EA2-ET.UK	Wiring Diagram Symbol	Remarks
1	S70	0B8	688	DRUM 2 ASSY	1	1	1	1	1	1	1	1	1		
2	S70	EA2	130	LEG PUMP	2	2	2	2	2	2	2	2	2		
3	S70	EA1	130	LEG EA	1	1	1	1	1	1	1	1	1		
4	S70	0B5	659	INNER COVER ASSY-L	1	1	1	1	1	1	1	1	1		
5	S70	0B5	762	FAN MOTOR	1	1	1	1	1	1	1	1	1	MF	(DC)-M
6	S70	0B1	105H	MOTOR MOUNT	3	3	3	3	3	3	3	3	3		
7	S70	0B4	114	TURBO FAN	1	1	1	1	1	1	1	1	1		
8	S70	11B	097	SPL WASHER/NUT	1	1	1	1	1	1	1	1	1		
9	S70	B26	480	HEAT EXCHANGER	1	1	1								
9	S70	B27	480	HEAT EXCHANGER				1	1	1	1	1	1		
10	S70	0B4	097	FLARE NUT	1	1	1	1	1	1	1	1	1		3/8"
10	S70	0B5	097	FLARE NUT	1	1	1	1	1	1	1	1	1		5/8"
11	S70	0B5	202	THERMISTOR	1	1	1	1	1	1	1	1	1	TH2/TH5	
12	S70	0B6	688	DRUM 1 ASSY	1	1	1	1	1	1	1	1	1		
13	S70	0B2	687	BASE	1	1	1	1	1	1	1	1	1		
14	S70	EA3	130	LEG PIPE	1	1	1	1	1	1	1	1	1		

FUNCTIONAL AND ELECTRICAL PARTS

PLA-M35EA2.UK
 PLA-M50EA2.UK
 PLA-M60EA2.UK
 PLA-M71EA2.UK
 PLA-M100EA2.UK
 PLA-M125EA2.UK
 PLA-M140EA2.UK

PLA-M35EA2-ER.UK
 PLA-M50EA2-ER.UK
 PLA-M60EA2-ER.UK
 PLA-M71EA2-ER.UK
 PLA-M100EA2-ER.UK
 PLA-M125EA2-ER.UK
 PLA-M140EA2-ER.UK

PLA-M35EA2-ET.UK
 PLA-M50EA2-ET.UK
 PLA-M60EA2-ET.UK
 PLA-M71EA2-ET.UK
 PLA-M100EA2-ET.UK
 PLA-M125EA2-ET.UK
 PLA-M140EA2-ET.UK



1. The part quantity below indicates the required number of pieces per unit.
2. The circled No. indicates that the part is not shown in the figure.

No.	Parts No.	Parts Name	PLA-M35EA2.UK	PLA-M35EA2-ER.UK	PLA-M35EA2-ET.UK	PLA-M50EA2.UK	PLA-M50EA2-ER.UK	PLA-M50EA2-ET.UK	PLA-M60EA2.UK	PLA-M60EA2-ER.UK	PLA-M60EA2-ET.UK	PLA-M71EA2.UK	PLA-M71EA2-ER.UK	PLA-M71EA2-ET.UK	Wiring Diagram Symbol	Remarks [Drawing No.]
			1	1	1	1	1	1	1	1	1	1	1	1		
1	S70 0B6 529	DRAIN PAN	1	1	1	1	1	1	1	1	1	1	1	1		
2	S70 0B7 501	ELECTRICAL CONTROL BOX	1	1	1	1	1	1	1	1	1	1	1	1		
3	—	CONT COVER	1	1	1	1	1	1	1	1	1	1	1	1		[BK02Y559G06]
4	S70 K03 716	TERMINAL BLOCK	1	1	1	1	1	1	1	1	1	1	1	1	TB4	3P (S1,S2,S3)
5	S70 B16 310	INDOOR CONTROLLER BOARD	1	1	1	1	1	1	1	1	1	1	1	1	I.B	
6	S70 29H 523	DRAIN SOCKET	1	1	1	1	1	1	1	1	1	1	1	1		
7	S70 0B2 527H	DRAIN HOSE ASSY (DRAIN PUMP)	1	1	1	1	1	1	1	1	1	1	1	1		
8	S70 0B2 266	FLOAT SWITCH	1	1	1	1	1	1	1	1	1	1	1	1	FS	
9	S70 0B2 533	FLOAT SWITCH-BASE	1	1	1	1	1	1	1	1	1	1	1	1		
10	S70 0B2 355	DRAIN PUMP	1	1	1	1	1	1	1	1	1	1	1	1	DP	220-240 V
11	S70 0B3 533	DRAIN PUMP BASE	1	1	1	1	1	1	1	1	1	1	1	1		
12	S70 0B3 502	BELLMOUTH-S	1	1	1	1	1	1	1	1	1	1	1	1		
13	S70 A41 524H	DRAIN PLUG	1	1	1	1	1	1	1	1	1	1	1	1		
14	S70 EA1 663	WIRE COVER HI-ASSY	1	1	1	1	1	1	1	1	1	1	1	1		
15	S70 0B3 202	ROOM TEMPERATURE THERMISTOR	1	1	1	1	1	1	1	1	1	1	1	1	TH1	220XAP

No.	Parts No.	Parts Name	PLA-M100EA2.UK	PLA-M100EA2-ER.UK	PLA-M100EA2-ET.UK	PLA-M125EA2.UK	PLA-M125EA2-ER.UK	PLA-M125EA2-ET.UK	PLA-M140EA2.UK	PLA-M140EA2-ER.UK	PLA-M140EA2-ET.UK	Wiring Diagram Symbol	Remarks [Drawing No.]
			1	1	1	1	1	1	1	1	1		
1	S70 0B6 529	DRAIN PAN	1	1	1	1	1	1	1	1	1		
2	S70 0B7 501	ELECTRICAL CONTROL BOX	1	1	1	1	1	1	1	1	1		
3	—	CONT COVER	1	1	1	1	1	1	1	1	1		[BK02Y559G06]
4	S70 K03 716	TERMINAL BLOCK	1	1	1	1	1	1	1	1	1	TB4	3P (S1,S2,S3)
5	S70 B16 310	INDOOR CONTROLLER BOARD	1	1	1	1	1	1	1	1	1	I.B	
6	S70 29H 523	DRAIN SOCKET	1	1	1	1	1	1	1	1	1		
7	S70 0B2 527H	DRAIN HOSE ASSY (DRAIN PUMP)	1	1	1	1	1	1	1	1	1		
8	S70 0B2 266	FLOAT SWITCH	1	1	1	1	1	1	1	1	1	FS	
9	S70 0B2 533	FLOAT SWITCH-BASE	1	1	1	1	1	1	1	1	1		
10	S70 0B2 355	DRAIN PUMP	1	1	1	1	1	1	1	1	1	DP	220-240 V
11	S70 0B3 533	DRAIN PUMP BASE	1	1	1	1	1	1	1	1	1		
12	S70 0B4 502	BELLMOUTH-L	1	1	1	1	1	1	1	1	1		
13	S70 A41 524H	DRAIN PLUG	1	1	1	1	1	1	1	1	1		
14	S70 EA1 663	WIRE COVER HI-ASSY	1	1	1	1	1	1	1	1	1		
15	S70 0B3 202	ROOM TEMPERATURE THERMISTOR	1	1	1	1	1	1	1	1	1	TH1	220XAP

2

OPTIONAL PARTS

Parts Name	Parts No.
Space panel	PAC-SJ65AS-E
Air outlet shutter plate	PAC-SJ37SP-E
Wired remote controller (MA remote controller)	PAR-41MAA
Wired remote controller (Simple MA remote controller)	PAC-YT52CRA
Wired remote controller	PAR-CT01MAA
Wireless remote controller	PAR-SL101A-E
Power supply terminal kit	PAC-SJ39HR-E
High efficiency filter element	PAC-SH59KF-E
Multi-functional casement	PAC-SJ41TM-E
Casement (Plasma Quad Connect)	PAC-SK51FT-E
Flange for fresh air intake	PAC-SH65OF-E
System control interface	MAC-334IF-E
MA & Contact terminal interface	MAC-397IF-E
Remote sensor	PAC-SE41TS-E
Wi-Fi Interface	MAC-587IF-E
Remote On/Off adapter	PAC-SE55RA-E
Remote operation adapter	PAC-SF40RM-E
Connector cable for remote display	PAC-SA88HA-E
3D Total Flow Unit	PLP-U160ELR-E
INSULATION KIT	PAC-SK36HK-E
Grille (i-see Sensor)	PLP-6EAE PLP-6EAER1
Grille (i-see Sensor with signal receiver)	PLP-6EALE PLP-6EALER1
Grille (i-see Sensor with receiver and wireless remote controller)	PLP-6EALME2
Grille (Standard)	PLP-6EA PLP-6EAR1
Grille (Standard with signal receiver)	PLP-6EAL PLP-6EALR1
Grille (Standard with receiver and wireless remote controller)	PLP-6EALM2
Grille (Automatic filter elevation without i-see Sensor)	PLP-6EAJ
Grille (Automatic filter elevation with i-see Sensor)	PLP-6EAJE
Grille (Black panel)	PLP-6EAB
i-see Sensor corner panel	PAC-SE1ME-E
Signal receiver corner panel	PAR-SE9FA-E

Mr. SLIM

mitsubishi electric corporation

HEAD OFFICE: TOKYO BUILDING, 2-7-3, MARUNOUCHI, CHIYODA-KU, TOKYO 100-8310, JAPAN