

PARTS CATALOG

Series PKA

Wall Mounted

R32/R410A

Indoor unit

[Model Name]

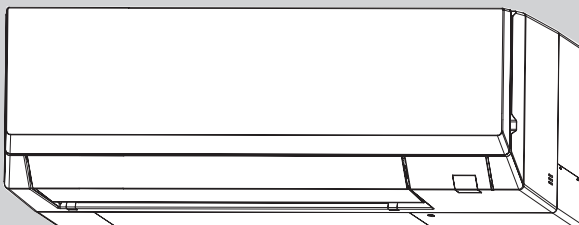
[Service Ref.]

PKA-M35LA2	PKA-M35LA2.TH
PKA-M35LA2-ER	PKA-M35LA2-ER.TH
PKA-M35LA2-ET	PKA-M35LA2-ET.TH
PKA-M50LA2	PKA-M50LA2.TH
PKA-M50LA2-ER	PKA-M50LA2-ER.TH
PKA-M50LA2-ET	PKA-M50LA2-ET.TH
PKA-M35LAL2	PKA-M35LAL2.TH
PKA-M35LAL2-ER	PKA-M35LAL2-ER.TH
PKA-M35LAL2-ET	PKA-M35LAL2-ET.TH
PKA-M50LAL2	PKA-M50LAL2.TH
PKA-M50LAL2-ER	PKA-M50LAL2-ER.TH
PKA-M50LAL2-ET	PKA-M50LAL2-ET.TH

CONTENTS

1. SERVICE PARTS LIST..... 2
2. OPTIONAL PARTS..... 6

SERVICE MANUAL (TCH068)



INDOOR UNIT

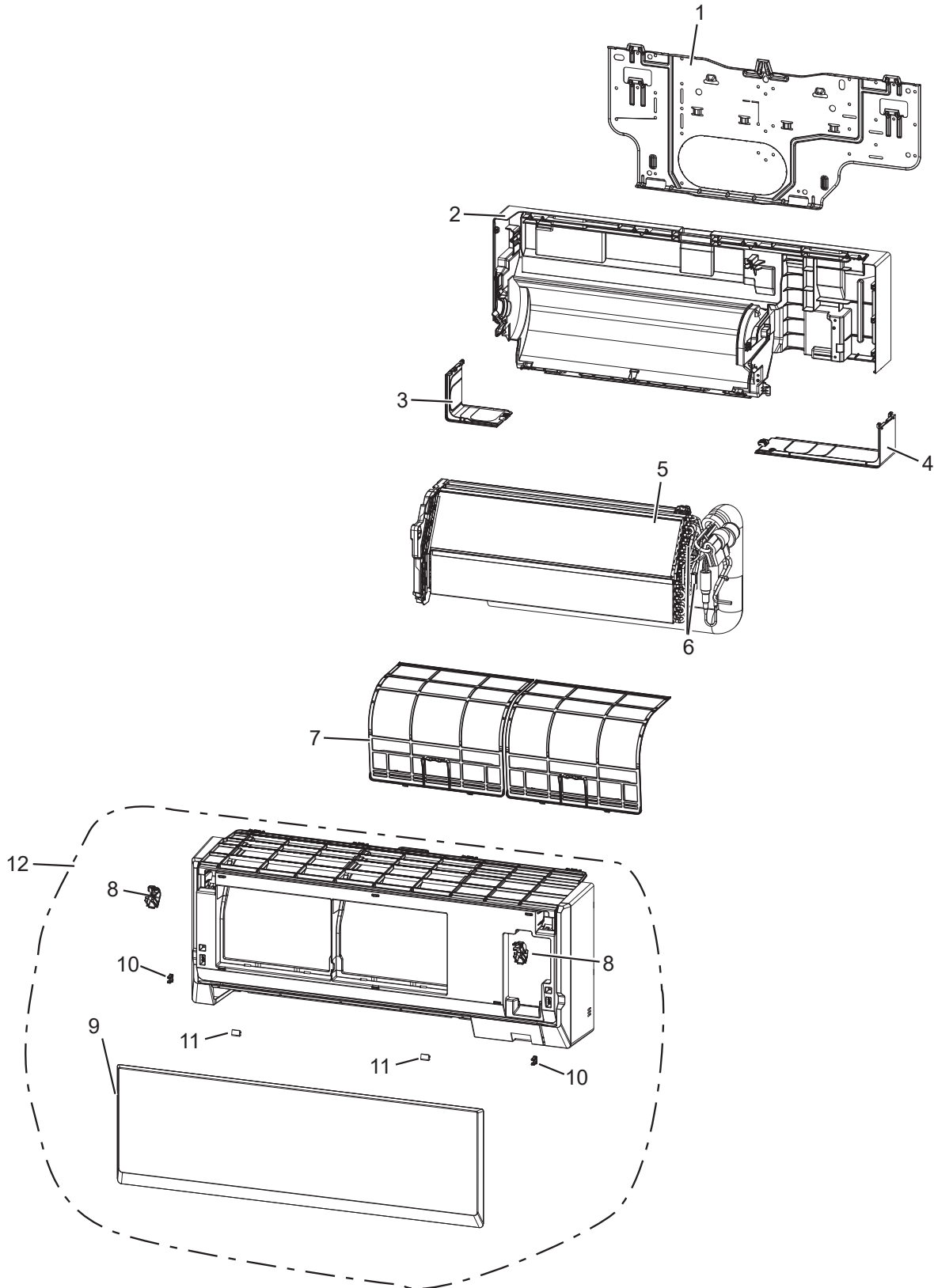
Mr. SLIM

1

SERVICE PARTS LIST

PANEL AND HEAT EXCHANGER PARTS

PKA-M35LA2.TH	PKA-M35LA2-ER.TH	PKA-M35LA2-ET.TH
PKA-M50LA2.TH	PKA-M50LA2-ER.TH	PKA-M50LA2-ET.TH
PKA-M35LAL2.TH	PKA-M35LAL2-ER.TH	PKA-M35LAL2-ET.TH
PKA-M50LAL2.TH	PKA-M50LAL2-ER.TH	PKA-M50LAL2-ET.TH

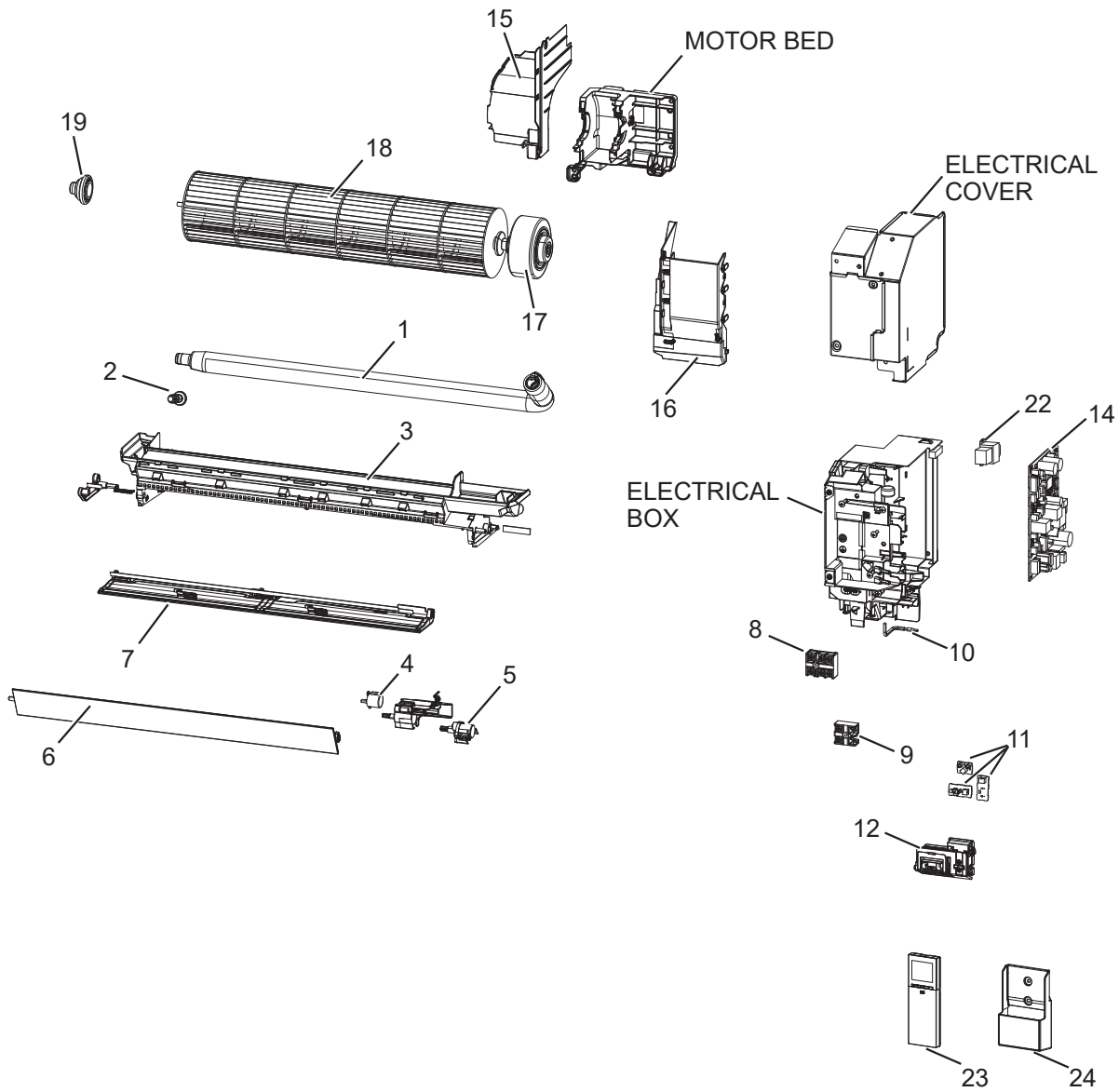




No.	Parts No.	Parts Name													Wiring Diagram Symbol	Remarks [Drawing No.]	
			PKA-M35LA2	PKA-M35LA2-ER	PKA-M35LA2-ET	PKA-M50LA2	PKA-M50LA2-ER	PKA-M50LA2-ET	PKA-M35LAL2	PKA-M35LAL2-ER	PKA-M35LAL2-ET	PKA-M50LAL2	PKA-M50LAL2-ER	PKA-M50LAL2-ET			
1	E27 P68 970	INSTALLATION PLATE	1	1	1	1	1	1	1	1	1	1	1	1	1		
2	E27 P68 234	BOX ASSEMBLY	1	1	1	1	1	1	1	1	1	1	1	1	1		
3	E27 P63 976	CORNER BOX L	1	1	1	1	1	1	1	1	1	1	1	1	1		
4	E27 P63 975	CORNER BOX R	1	1	1	1	1	1	1	1	1	1	1	1	1		
5	E27 13D 620	INDOOR HEAT EXCHANGER	1	1	1	1	1	1	1	1	1	1	1	1	1		
6	E27 13D 307	INDOOR COIL THERMISTOR	1	1	1	1	1	1	1	1	1	1	1	1	1	TH2, TH5	
7	E27 58G 100	AIR FILTER	2	2	2	2	2	2	2	2	2	2	2	2	2		
8	E27 P63 021	ARM HOLDER SET	1	1	1	1	1	1	1	1	1	1	1	1	1		Set (left, right)
9	E27 P68 010	FRONT PANEL	1	1	1	1	1	1	1	1	1	1	1	1	1		
10	E22 F95 142	CATCH	2	2	2	2	2	2	2	2	2	2	2	2	2		2 pcs/set
11	E22 98B 067	SCREW CAP	2	2	2	2	2	2	2	2	2	2	2	2	2		2 pcs/set
12	E27 P68 000	PANEL ASSEMBLY	1	1	1	1	1	1	1	1	1	1	1	1	1		Includes 8, 9, 10 and 11

FAN AND ELECTRICAL PARTS

PKA-M35LA2.TH PKA-M35LA2-ER.TH PKA-M35LA2-ET.TH
 PKA-M50LA2.TH PKA-M50LA2-ER.TH PKA-M50LA2-ET.TH
 PKA-M35LAL2.TH PKA-M35LAL2-ER.TH PKA-M35LAL2-ET.TH
 PKA-M50LAL2.TH PKA-M50LAL2-ER.TH PKA-M50LAL2-ET.TH





No.	Parts No.	Parts Name	PKA-M35LA2	PKA-M35LA2-ER	PKA-M35LA2-ET	PKA-M50LA2	PKA-M50LA2-ER	PKA-M50LA2-ET	PKA-M35LAL2	PKA-M35LAL2-ER	PKA-M35LAL2-ET	PKA-M50LAL2	PKA-M50LAL2-ER	PKA-M50LAL2-ET	Wiring Diagram Symbol	Remarks [Drawing No.]
1	E22 T20 702	DRAIN HOSE	1	1	1	1	1	1	1	1	1	1	1	1		
2	-	DRAIN CAP	1	1	1	1	1	1	1	1	1	1	1	1		[SU26R611H01]
3	E27 77G 235	NOZZLE ASSEMBLY	1	1	1	1	1	1	1	1	1	1	1	1		Full assembly except drain hose
4	E27 103 303	VANE MOTOR (UPPER)	1	1	1	1	1	1	1	1	1	1	1	1	MV1	
5	E22 Y54 303	VANE MOTOR (LOWER)	1	1	1	1	1	1	1	1	1	1	1	1	MV2	
6	E27 77G 040	VANE UPPER	1	1	1	1	1	1	1	1	1	1	1	1		
7	E27 77G 041	VANE LOWER	1	1	1	1	1	1	1	1	1	1	1	1		
8	E27 489 375	TERMINAL BLOCK	1	1	1	1	1	1	1	1	1	1	1	1	TB4	
9	E27 249 375	TERMINAL BLOCK	1	1	1	1	1	1							TB5	
10	E27 P63 308	ROOM TEMP. THERMISTOR	1	1	1	1	1	1	1	1	1	1	1	1	TH1	
11	E27 Y99 468	DISPLAY AND RECEIVER P.C. BOARD	1	1	1	1	1	1	1	1	1	1	1	1	L.B., W.B., S.B.	
12	E27 P63 095	DISPLAY RECEIVER HOLDER	1	1	1	1	1	1	1	1	1	1	1	1		
13	E22 784 382	FUSE	1	1	1	1	1	1	1	1	1	1	1	1	FUSE	T3.15AL250V
14	E27 58G 447	INDOOR CONTROLLER BOARD	1	1	1	1	1	1	1	1	1	1	1	1	I.B.	
15	E27 P63 333	MOTOR BAND	1	1	1	1	1	1	1	1	1	1	1	1		
16	E27 P63 541	WATER COVER	1	1	1	1	1	1	1	1	1	1	1	1		
17	E27 13D 300	INDOOR FAN MOTOR	1	1	1	1	1	1	1	1	1	1	1	1	MF	Includes rubber mounts
18	E27 P68 302	LINE FLOW FAN	1	1	1	1	1	1	1	1	1	1	1	1		
19	E22 A89 509	BEARING MOUNT ASSEMBLY	1	1	1	1	1	1	1	1	1	1	1	1		
20	E22 C32 667	UNION 1/4"	1	1	1	1	1	1	1	1	1	1	1	1		for liquid
21	E22 179 667	UNION 1/2"	1	1	1	1	1	1	1	1	1	1	1	1		for gas
22	E27 13D 337	REACTOR	1	1	1	1	1	1	1	1	1	1	1	1	ACL	
23	E27 58G 426	REMOTE CONTROLLER							1	1	1	1	1	1		PAR-SL101A-E
24	E27 D44 083	REMOTE CONTROLLER HOLDER							1	1	1	1	1	1		

2

OPTIONAL PARTS

PARTS NAME	PARTS NO.	PKA-LA	PKA-LAL
Drain pump	PAC-SK01DM-E	○	○
System control interface	MAC-334IF-E	○	○
MA and contact terminal interface	MAC-397IF-E	○	○
Wi-Fi interface	MAC-587IF-E	○	○
Power supply terminal kit	PAC-SK38HR-E	○	○
Wired remote controller	PAR-41MAA PAR-CT01MAA PAC-YT52CRA	○	○
Terminal block kit for PKA	PAC-SH29TC-E	—	○
Wireless R/C	PAR-SL101A-E	○	○
Remote sensor	PAC-SE41TS-E	○	○
Remote on/off adapter	PAC-SE55RA-E	○	○
Connector cable for remote display	PAC-SA88HA-E	○	○
V-Blocking filter	MAC-2470FT-E	○	○

MITSUBISHI ELECTRIC CORPORATION

HEAD OFFICE : TOKYO BUILDING, 2-7-3, MARUNOUCHI, CHIYODA-KU TOKYO 100-8310, JAPAN

MITSUBISHI ELECTRIC CONSUMER PRODUCTS (THAILAND) CO., LTD.
700/406 MOO 7, TAMBON DON HUA ROH,
AMPHUR MUANG, CHONBURI 20000 THAILAND
Published: Sep. 2021. No. TCB068
Made in Thailand

Specifications are subject to change without notice.