

# SERVICE PARTS LIST FOR MITSUBISHI ELECTRIC PACKAGED AIR-CONDITIONERS

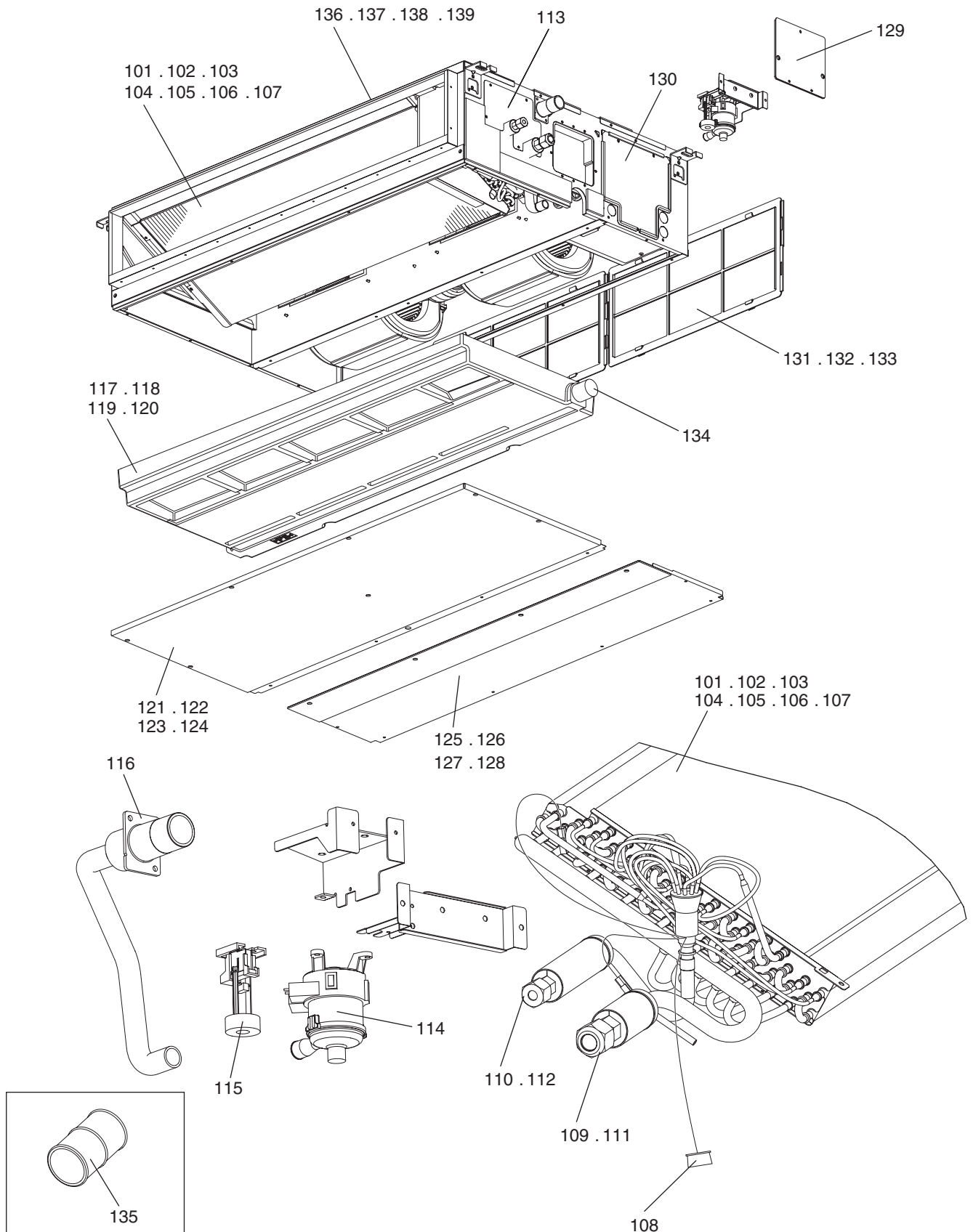
Series : PEAD-M•JA2.UK  
PEAD-M•JAL2.UK

Aug. 2021  
BWE021440

INDEX
PEAD-M35JA2.UK
PEAD-M50JA2.UK
PEAD-M60JA2.UK
PEAD-M71JA2.UK
PEAD-M100JA2.UK
PEAD-M125JA2.UK
PEAD-M140JA2.UK
PEAD-M35JAL2.UK
PEAD-M50JAL2.UK
PEAD-M60JAL2.UK
PEAD-M71JAL2.UK
PEAD-M100JAL2.UK
PEAD-M125JAL2.UK
PEAD-M140JAL2.UK

PEAD-M35,M50,M60,M71JA2.UK  
PEAD-M100,M125,M140JA2.UK

### EXTERNAL PARTS (1)

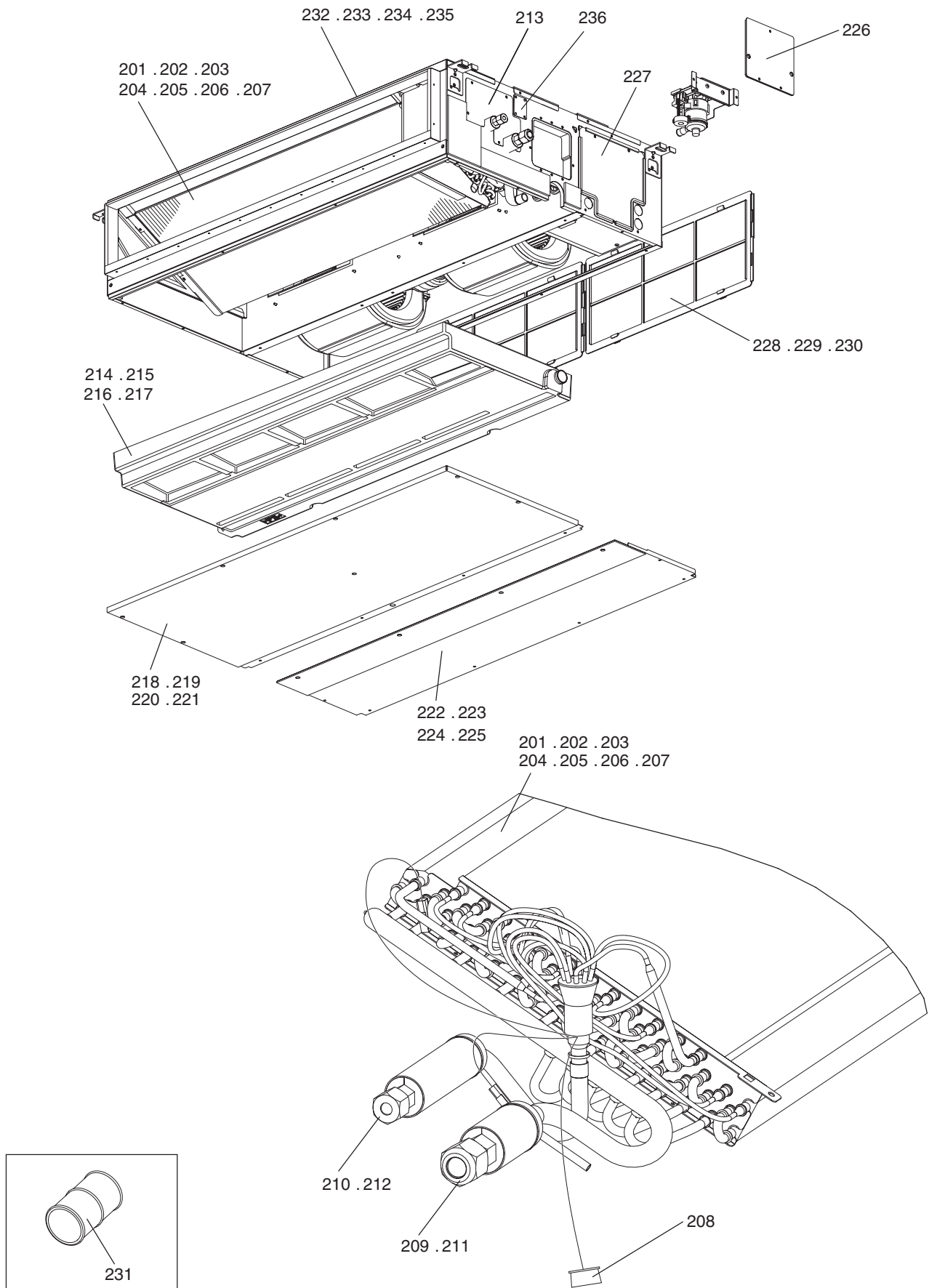


No.	Part No.	Part Name	Spec.	PEAD-M35JA2.UK	PEAD-M50JA2.UK	PEAD-M60JA2.UK	PEAD-M71JA2.UK	PEAD-M100JA2.UK	PEAD-M125JA2.UK	Dwg. No.	Notes for the models	Revision info.
101	S70 M10 480	HEAT EXCHANGER		1						KB00A202B02		
102	S70 M20 480	HEAT EXCHANGER			1					KB00A203B02		
103	S70 M30 480	HEAT EXCHANGER				1				KB00A178B04		
104	S70 M40 480	HEAT EXCHANGER					1			KB00A178B05		
105	S70 M50 480	HEAT EXCHANGER						1		KB00A178B06		
106	S70 M80 480	HEAT EXCHANGER							1	KB00A318B05		
107	S70 M90 480	HEAT EXCHANGER								KB00A318B06		
108	S70 100 202	THERMISTOR		1	1	1	1	1	1	KB71B945M01		
109	S70 0B2 097	NUT FLARE	1/2F(HOLE)	1	1					RG12F246K01		
110	S70 0B3 097	NUT FLARE	1/4(HOLE)	1	1					RG12F245K01		
111	S70 0B4 097	NUT FLARE	5/8(HOLE)			1	1	1	1	RG12F173K01		
112	S70 0B5 097	NUT FLARE	3/8(HOLE)			1	1	1	1	RG12F174K01		
113	S70 E11 065	COVER PIPE ASSY		1	1	1	1	1	1	KB00M203G02		
114	S70 0B2 355	PUMP	PMD	1	1	1	1	1	1	BH56B946H05		
115	S70 0B2 266	FLOAT SWITCH		1	1	1	1	1	1	BH68T992K04		
116	S70 E50 527	SOCKET ASSY		1	1	1	1	1	1	KB00R308G07		
117	S70 E20 529	DRAIN PAN ASSY	M50	1	1					KB00R237G02		
118	S70 E30 529	DRAIN PAN ASSY	M71			1	1			KB00R237G03		
119	S70 E40 529	DRAIN PAN ASSY	M125					1	1	KB00R237G04		
120	S70 E50 529	DRAIN PAN ASSY	M140							KB00R237G05		
121	S70 W02 669	PANEL ASSY UD1	M50	1	1					KL00R438G06		
122	S70 W03 669	PANEL ASSY UD1	M71			1	1			KL00R438G07		
123	S70 W04 669	PANEL ASSY UD1	M125					1	1	KL00R438G08		
124	S70 W05 669	PANEL ASSY UD1	M140							KL00R438G09		
125	S70 E04 669	PANEL ASSY UD2	M50	1	1					KB00R306G17		
126	S70 E06 669	PANEL ASSY UD2	M71			1	1			KB00R306G18		
127	S70 E08 669	PANEL ASSY UD2	M125					1	1	KB00R306G21		
128	S70 E10 669	PANEL ASSY UD2	M140							KB00R306G22		
129	S70 E12 067	COVER ASSY		1	1	1	1	1	1	KB00M197G06		
130	S70 E13 068	COVER BOX ASSY		1	1	1	1	1	1	KB00T337G02		
131	S70 E55 500	FILTER	550			2	2			KD35J684G01		
132	S70 E70 500	FILTER	700					2	2	KD35J685G01		
133	S70 E90 500	FILTER	900	1	1					KD35J686G01		
134	S70 E16 524	PLUG	RUBBER	1	1	1	1	1	1	KB26H049H02		
135	S70 29H 523	SOCKET		1	1	1	1	1	1	BB25D449K01		
136	S70 E60 642	PANEL TOP ASSY	M50	1	1					KB00R292G13		
137	S70 E30 642	PANEL TOP ASSY	M71			1	1			KB00R292G08		
138	S70 E40 642	PANEL TOP ASSY	M125					1	1	KB00R292G11		
139	S70 E50 642	PANEL TOP ASSY	M140							KB00R292G12		

No.	Part No.	Part Name	Spec.	PEAD-M140JA2.UK						Dwg. No.	Notes for the models	Revision info.
101	S70 M10 480	HEAT EXCHANGER								KB00A202B02		
102	S70 M20 480	HEAT EXCHANGER								KB00A203B02		
103	S70 M30 480	HEAT EXCHANGER								KB00A178B04		
104	S70 M40 480	HEAT EXCHANGER								KB00A178B05		
105	S70 M50 480	HEAT EXCHANGER								KB00A178B06		
106	S70 M80 480	HEAT EXCHANGER								KB00A318B05		
107	S70 M90 480	HEAT EXCHANGER		1						KB00A318B06		
108	S70 100 202	THERMISTOR		1						KB71B945M01		
109	S70 0B2 097	NUT FLARE	1/2F(HOLE)							RG12F246K01		
110	S70 0B3 097	NUT FLARE	1/4(HOLE)							RG12F245K01		
111	S70 0B4 097	NUT FLARE	5/8(HOLE)	1						RG12F173K01		
112	S70 0B5 097	NUT FLARE	3/8(HOLE)	1						RG12F174K01		
113	S70 E11 065	COVER PIPE ASSY		1						KB00M203G02		
114	S70 0B2 355	PUMP	PMD	1						BH56B946H05		
115	S70 0B2 266	FLOAT SWITCH		1						BH68T992K04		
116	S70 E50 527	SOCKET ASSY		1						KB00R308G07		
117	S70 E20 529	DRAIN PAN ASSY	M50							KB00R237G02		
118	S70 E30 529	DRAIN PAN ASSY	M71							KB00R237G03		
119	S70 E40 529	DRAIN PAN ASSY	M125							KB00R237G04		
120	S70 E50 529	DRAIN PAN ASSY	M140	1						KB00R237G05		
121	S70 W02 669	PANEL ASSY UD1	M50							KL00R438G06		
122	S70 W03 669	PANEL ASSY UD1	M71							KL00R438G07		
123	S70 W04 669	PANEL ASSY UD1	M125							KL00R438G08		
124	S70 W05 669	PANEL ASSY UD1	M140	1						KL00R438G09		
125	S70 E04 669	PANEL ASSY UD2	M50							KB00R306G17		
126	S70 E06 669	PANEL ASSY UD2	M71							KB00R306G18		
127	S70 E08 669	PANEL ASSY UD2	M125							KB00R306G21		
128	S70 E10 669	PANEL ASSY UD2	M140	1						KB00R306G22		
129	S70 E12 067	COVER ASSY		1						KB00M197G06		
130	S70 E13 068	COVER BOX ASSY		1						KB00T337G02		
131	S70 E55 500	FILTER	550							KD35J684G01		
132	S70 E70 500	FILTER	700	1						KD35J685G01		
133	S70 E90 500	FILTER	900	1						KD35J686G01		
134	S70 E16 524	PLUG	RUBBER	1						KB26H049H02		
135	S70 29H 523	SOCKET		1						BB25D449K01		
136	S70 E60 642	PANEL TOP ASSY	M50							KB00R292G13		
137	S70 E30 642	PANEL TOP ASSY	M71							KB00R292G08		
138	S70 E40 642	PANEL TOP ASSY	M125							KB00R292G11		
139	S70 E50 642	PANEL TOP ASSY	M140	1						KB00R292G12		

PEAD-M35,M50,M60,M71JAL2.UK  
PEAD-M100,M125,M140JAL2.UK

EXTERNAL PARTS (2)

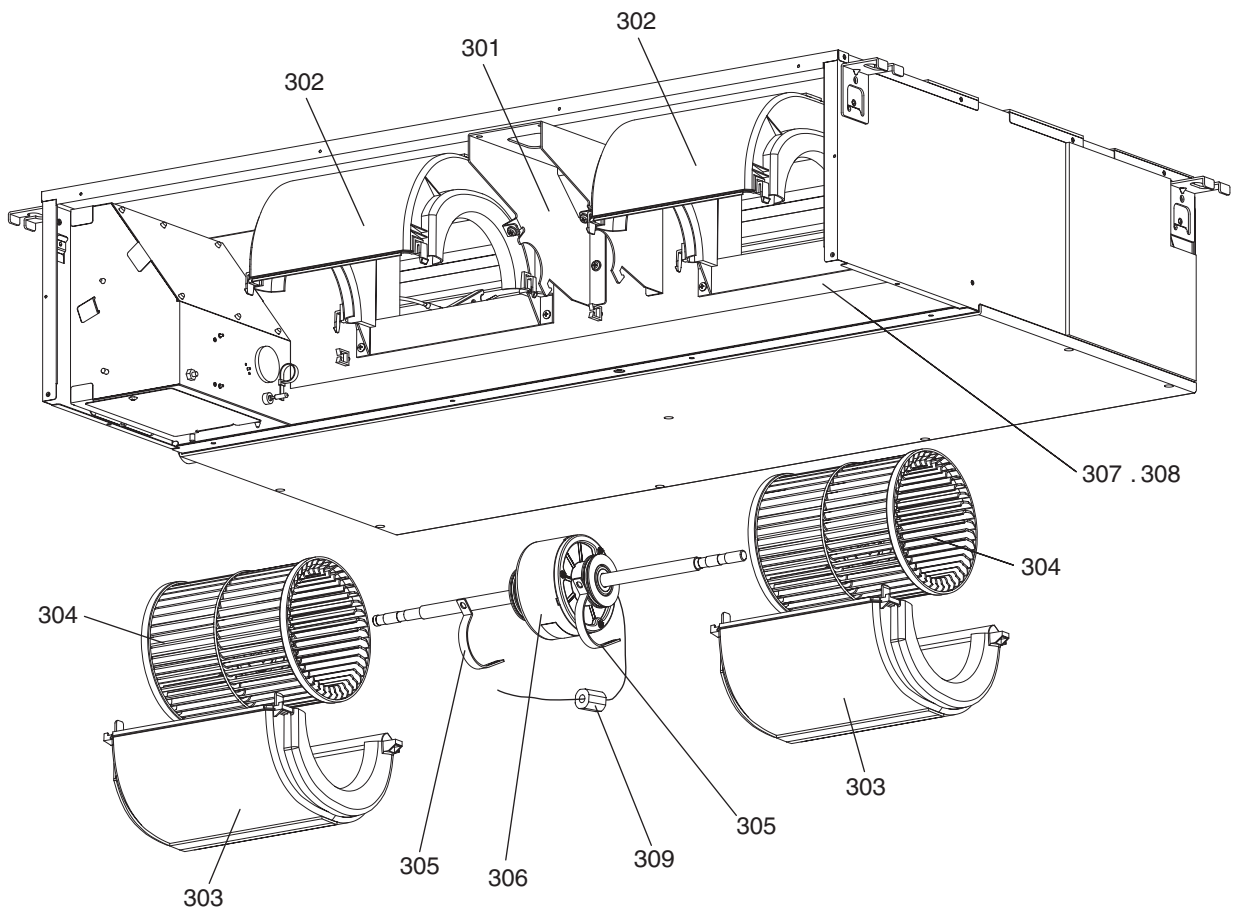


PEAD-M35,M50,M60,M71JAL2.UK  
PEAD-M100,M125,M140JAL2.UK

EXTERNAL PARTS (2)

No.	Part No.	Part Name	Spec.	PEAD-M35JAL2.UK	PEAD-M50JAL2.UK	PEAD-M60JAL2.UK	PEAD-M71JAL2.UK	PEAD-M100JAL2.UK	PEAD-M125JAL2.UK	Dwg. No.	Notes for the models	Revision info.
201	S70 M10 480	HEAT EXCHANGER		1						KB00A202B02		
202	S70 M20 480	HEAT EXCHANGER			1					KB00A203B02		
203	S70 M30 480	HEAT EXCHANGER				1				KB00A178B04		
204	S70 M40 480	HEAT EXCHANGER					1			KB00A178B05		
205	S70 M50 480	HEAT EXCHANGER						1		KB00A178B06		
206	S70 M80 480	HEAT EXCHANGER							1	KB00A318B05		
207	S70 M90 480	HEAT EXCHANGER								KB00A318B06		
208	S70 100 202	THERMISTOR		1	1	1	1	1	1	KB71B945M01		
209	S70 0B2 097	NUT FLARE	1/2F(HOLE)	1	1					RG12F246K01		
210	S70 0B3 097	NUT FLARE	1/4(HOLE)	1	1					RG12F245K01		
211	S70 0B4 097	NUT FLARE	5/8(HOLE)			1	1	1	1	RG12F173K01		
212	S70 0B5 097	NUT FLARE	3/8(HOLE)			1	1	1	1	RG12F174K01		
213	S70 E11 065	COVER PIPE ASSY		1	1	1	1	1	1	KB00M203G02		
214	S70 E20 529	DRAIN PAN ASSY	M50	1	1					KB00R237G02		
215	S70 E30 529	DRAIN PAN ASSY	M71			1	1			KB00R237G03		
216	S70 E40 529	DRAIN PAN ASSY	M125					1	1	KB00R237G04		
217	S70 E50 529	DRAIN PAN ASSY	M140							KB00R237G05		
218	S70 W02 669	PANEL ASSY UD1	M50	1	1					KL00R438G06		
219	S70 W03 669	PANEL ASSY UD1	M71			1	1			KL00R438G07		
220	S70 W04 669	PANEL ASSY UD1	M125					1	1	KL00R438G08		
221	S70 W05 669	PANEL ASSY UD1	M140							KL00R438G09		
222	S70 E04 669	PANEL ASSY UD2	M50	1	1					KB00R306G17		
223	S70 E06 669	PANEL ASSY UD2	M71			1	1			KB00R306G18		
224	S70 E08 669	PANEL ASSY UD2	M125					1	1	KB00R306G21		
225	S70 E10 669	PANEL ASSY UD2	M140							KB00R306G22		
226	S70 E12 067	COVER ASSY		1	1	1	1	1	1	KB00M197G06		
227	S70 E13 068	COVER BOX ASSY		1	1	1	1	1	1	KB00T337G02		
228	S70 E55 500	FILTER	550			2	2			KD35J684G01		
229	S70 E70 500	FILTER	700					2	2	KD35J685G01		
230	S70 E90 500	FILTER	900	1	1					KD35J686G01		
231	S70 29H 523	SOCKET		1	1	1	1	1	1	BB25D449K01		
232	S70 E60 642	PANEL TOP ASSY	M50	1	1					KB00R292G13		
233	S70 E30 642	PANEL TOP ASSY	M71			1	1			KB00R292G08		
234	S70 E40 642	PANEL TOP ASSY	M125					1	1	KB00R292G11		
235	S70 E50 642	PANEL TOP ASSY	M140							KB00R292G12		
236	S70 E30 522	COVER SOCKET ASSY		1	1	1	1	1	1	KB00M268G02		

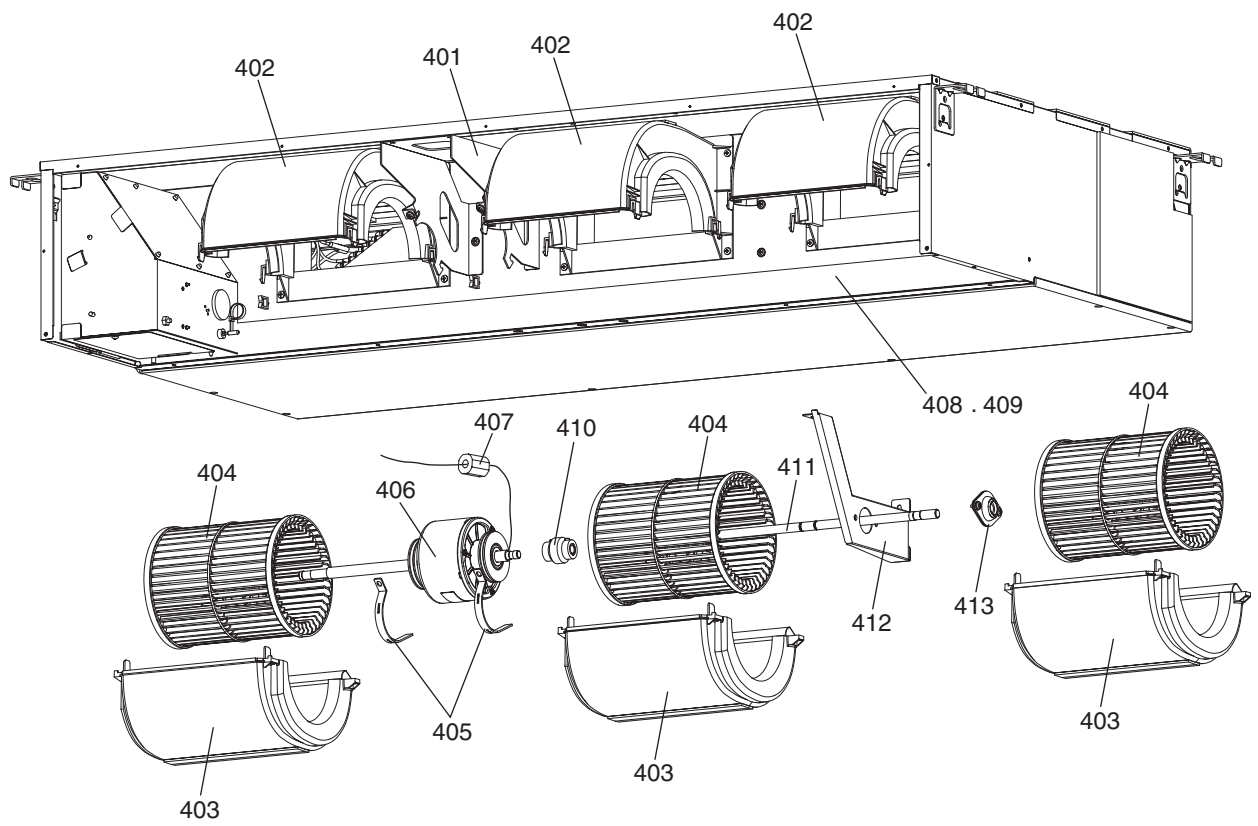
No.	Part No.	Part Name	Spec.	PEAD-M140JAL2.UK						Dwg. No.	Notes for the models	Revision info.
201	S70 M10 480	HEAT EXCHANGER								KB00A202B02		
202	S70 M20 480	HEAT EXCHANGER								KB00A203B02		
203	S70 M30 480	HEAT EXCHANGER								KB00A178B04		
204	S70 M40 480	HEAT EXCHANGER								KB00A178B05		
205	S70 M50 480	HEAT EXCHANGER								KB00A178B06		
206	S70 M80 480	HEAT EXCHANGER								KB00A318B05		
207	S70 M90 480	HEAT EXCHANGER		1						KB00A318B06		
208	S70 100 202	THERMISTOR		1						KB71B945M01		
209	S70 0B2 097	NUT FLARE	1/2F(HOLE)							RG12F246K01		
210	S70 0B3 097	NUT FLARE	1/4(HOLE)							RG12F245K01		
211	S70 0B4 097	NUT FLARE	5/8(HOLE)	1						RG12F173K01		
212	S70 0B5 097	NUT FLARE	3/8(HOLE)	1						RG12F174K01		
213	S70 E11 065	COVER PIPE ASSY		1						KB00M203G02		
214	S70 E20 529	DRAIN PAN ASSY	M50							KB00R237G02		
215	S70 E30 529	DRAIN PAN ASSY	M71							KB00R237G03		
216	S70 E40 529	DRAIN PAN ASSY	M125							KB00R237G04		
217	S70 E50 529	DRAIN PAN ASSY	M140	1						KB00R237G05		
218	S70 W02 669	PANEL ASSY UD1	M50							KL00R438G06		
219	S70 W03 669	PANEL ASSY UD1	M71							KL00R438G07		
220	S70 W04 669	PANEL ASSY UD1	M125							KL00R438G08		
221	S70 W05 669	PANEL ASSY UD1	M140	1						KL00R438G09		
222	S70 E04 669	PANEL ASSY UD2	M50							KB00R306G17		
223	S70 E06 669	PANEL ASSY UD2	M71							KB00R306G18		
224	S70 E08 669	PANEL ASSY UD2	M125							KB00R306G21		
225	S70 E10 669	PANEL ASSY UD2	M140	1						KB00R306G22		
226	S70 E12 067	COVER ASSY		1						KB00M197G06		
227	S70 E13 068	COVER BOX ASSY		1						KB00T337G02		
228	S70 E55 500	FILTER	550							KD35J684G01		
229	S70 E70 500	FILTER	700	1						KD35J685G01		
230	S70 E90 500	FILTER	900	1						KD35J686G01		
231	S70 29H 523	SOCKET		1						BB25D449K01		
232	S70 E60 642	PANEL TOP ASSY	M50							KB00R292G13		
233	S70 E30 642	PANEL TOP ASSY	M71							KB00R292G08		
234	S70 E40 642	PANEL TOP ASSY	M125							KB00R292G11		
235	S70 E50 642	PANEL TOP ASSY	M140	1						KB00R292G12		
236	S70 E30 522	COVER SOCKET ASSY		1						KB00M268G02		



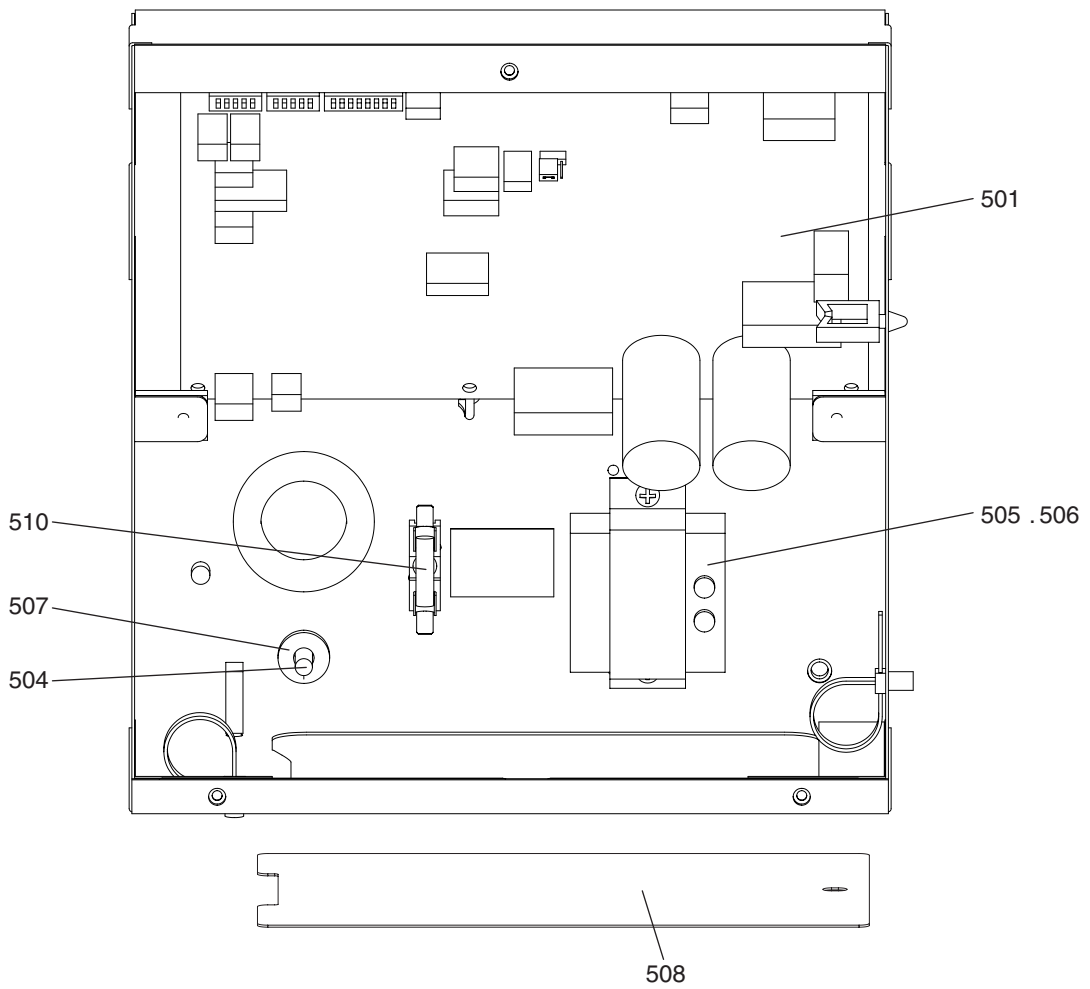
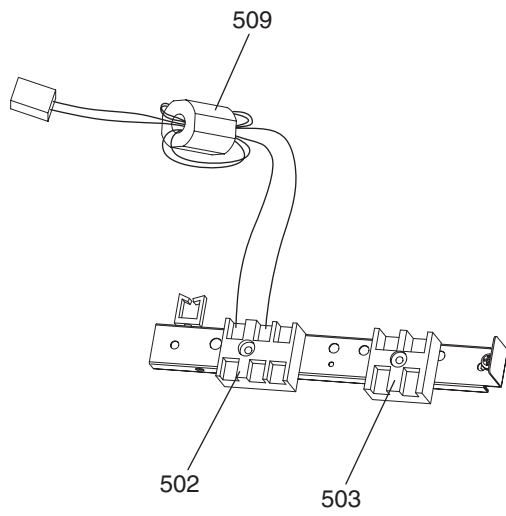




No.	Part No.	Part Name	Spec.	PEAD-M60JAL2.UK	PEAD-M71JAL2.UK					Dwg. No.	Notes for the models	Revision info.
301	S70 E65 130	MOTOR BASE	M20	1	1					KD02J553H01		
302	S70 E60 110	FAN CASE U ASSY		2	2					KJ00K474G01		
303	S70 E62 110	FAN CASE L ASSY		2	2					KJ00K473G01		
304	S70 E35 114	SIROCCO FAN ASSY		2	2					KL00R388G01		
305	S70 E10 131	ATTACHMENT		2	2					KW353715H01		
306	S70 E25 220	MOTOR	M40	1	1					KR61B239H01		
307	S70 E25 677	FAN PLATE ASSY	M40							KB00T067G22		
308	S70 E35 677	FAN PLATE ASSY	M71	1	1					KB00T067G23		
309	S70 050 292	CLAMP FERRITE FOB		1	1					KR65C297H03		



No.	Part No.	Part Name	Spec.	PEAD-M100,JA2.UK	PEAD-M125,JA2.UK	PEAD-M140,JA2.UK	PEAD-M100,AL2.UK	PEAD-M125,AL2.UK	PEAD-M140,AL2.UK	Dwg. No.	Notes for the models	Revision info.
401	S70 E66 130	MOTOR BASE ASSY	M100	1	1	1	1	1	1	KD02J554H01		
402	S70 E60 110	FAN CASE U ASSY		3	3	3	3	3	3	KJ00K474G01		
403	S70 E62 110	FAN CASE L ASSY		3	3	3	3	3	3	KJ00K473G01		
404	S70 E35 114	SIROCCO FAN ASSY		3	3	3	3	3	3	KL00R388G01		
405	S70 E10 131	ATTACHMENT		2	2	2	2	2	2	KJ02D836H01		
406	S70 E35 220	MOTOR	M100	1	1	1	1	1	1	KR61B240H01		
407	S70 050 292	CLAMP FERRITE FOB		1	1	1	1	1	1	KR65C297H03		
408	S70 E45 677	FAN PLATE ASSY	M140	1	1		1	1		KS00R191G05		
409	S70 E55 677	FAN PLATE ASSY	M140			1			1	KS00R191G06		
410	S70 E02 518	JOINT ASSY		1	1	1	1	1	1	KB00R475G01		
411	S70 E01 499	SHAFT		1	1	1	1	1	1	KD10B278H01		
412	S70 E05 510	BEARING SUPPORT		1	1	1	1	1	1	KL02R207H01		
413	S70 E03 509H	BEARING		1	1	1	1	1	1	KB58C793G02		





No.	Part No.	Part Name	Spec.	PEAD-M35,M50,M60,M71JA(L)2.UK						Dwg. No.	Notes for the models	Revision info.
				PEAD-M35JA(L)2.UK	PEAD-M50JA(L)2.UK	PEAD-M60JA(L)2.UK	PEAD-M71JA(L)2.UK	PEAD-M100JA(L)2.UK	PEAD-M125JA(L)2.UK			
501	S70 K15 310	PRINTED CIRCUIT ASSEMBLY		1	1	1	1	1	1	KE01H554B01		
502	S70 K01 716	TERMINALBED		1	1	1	1	1	1	BH00C267G02		
503	S70 E40 716	TERMINAL BLOCK		1	1	1	1	1	1	BH73L021H01		
504	S70 0B1 202	THERMISTOR-S	250XAP	1	1	1	1	1	1	RG71J628H01		
505	S70 K10 259	REACTOR	3A3		1	1	1			KR65C559H01		
506	S70 K11 259	REACTOR	3A6	1				1	1	KR65C489H01		
507	S70 E10 306	CORD BUSH		1	1	1	1	1	1	BG25U730H01		
508	S70 E14 068	BOX UNDER COVER		1	1	1	1	1	1	KB02K887Z01		
509	S70 050 292	CLAMP FERRITE FOB		1	1	1	1	1	1	KR65C297H03		
510	S70 610 239	FUSE	SHV12 3A	1	1	1	1	1	1	KR75C422H01		

No.	Part No.	Part Name	Spec.	PEAD-M125JA(L)2.UK	PEAD-M140JA(L)2.UK						Dwg. No.	Notes for the models	Revision info.
501	S70 K15 310	PRINTED CIRCUIT ASSEMBLY		1	1						KE01H554B01		
502	S70 K01 716	TERMINALBED		1	1						BH00C267G02		
503	S70 E40 716	TERMINAL BLOCK		1	1						BH73L021H01		
504	S70 0B1 202	THERMISTOR-S	250XAP	1	1						RG71J628H01		
505	S70 K10 259	REACTOR	3A3								KR65C559H01		
506	S70 K11 259	REACTOR	3A6	1	1						KR65C489H01		
507	S70 E10 306	CORD BUSH		1	1						BG25U730H01		
508	S70 E14 068	BOX UNDER COVER		1	1						KB02K887Z01		
509	S70 050 292	CLAMP FERRITE FOB		1	1						KR65C297H03		
510	S70 610 239	FUSE	SHV12 3A	1	1						KR75C422H01		



**mitsubishi**  
**electric**  
**corporation**

---

BWE021440 (20210831)