

# PARTS CATALOG

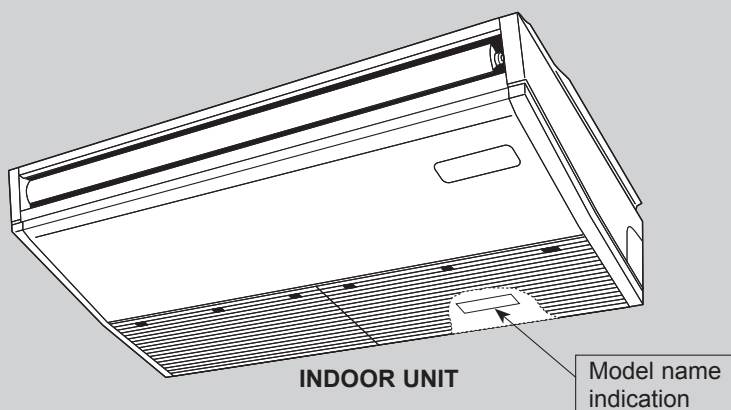
## Series PCA Ceiling Suspended R32/R410A

**Indoor unit**
**[Model Name]**

PCA-M35KA2	PCA-M35KA2-ET	PCA-M35KA2-ER
PCA-M50KA2	PCA-M50KA2-ET	PCA-M50KA2-ER
PCA-M60KA2	PCA-M60KA2-ET	PCA-M60KA2-ER
PCA-M71KA2	PCA-M71KA2-ET	PCA-M71KA2-ER
PCA-M100KA2	PCA-M100KA2-ET	PCA-M100KA2-ER
PCA-M125KA2	PCA-M125KA2-ET	PCA-M125KA2-ER
PCA-M140KA2	PCA-M140KA2-ET	PCA-M140KA2-ER

**[Service Ref.]**

PCA-M35KA2	PCA-M35KA2-ET	PCA-M35KA2-ER
PCA-M50KA2	PCA-M50KA2-ET	PCA-M50KA2-ER
PCA-M60KA2	PCA-M60KA2-ET	PCA-M60KA2-ER
PCA-M71KA2	PCA-M71KA2-ET	PCA-M71KA2-ER
PCA-M100KA2	PCA-M100KA2-ET	PCA-M100KA2-ER
PCA-M125KA2	PCA-M125KA2-ET	PCA-M125KA2-ER
PCA-M140KA2	PCA-M140KA2-ET	PCA-M140KA2-ER



### CONTENTS

1. SERVICE PARTS LIST..... 2
2. OPTIONAL PARTS..... 10

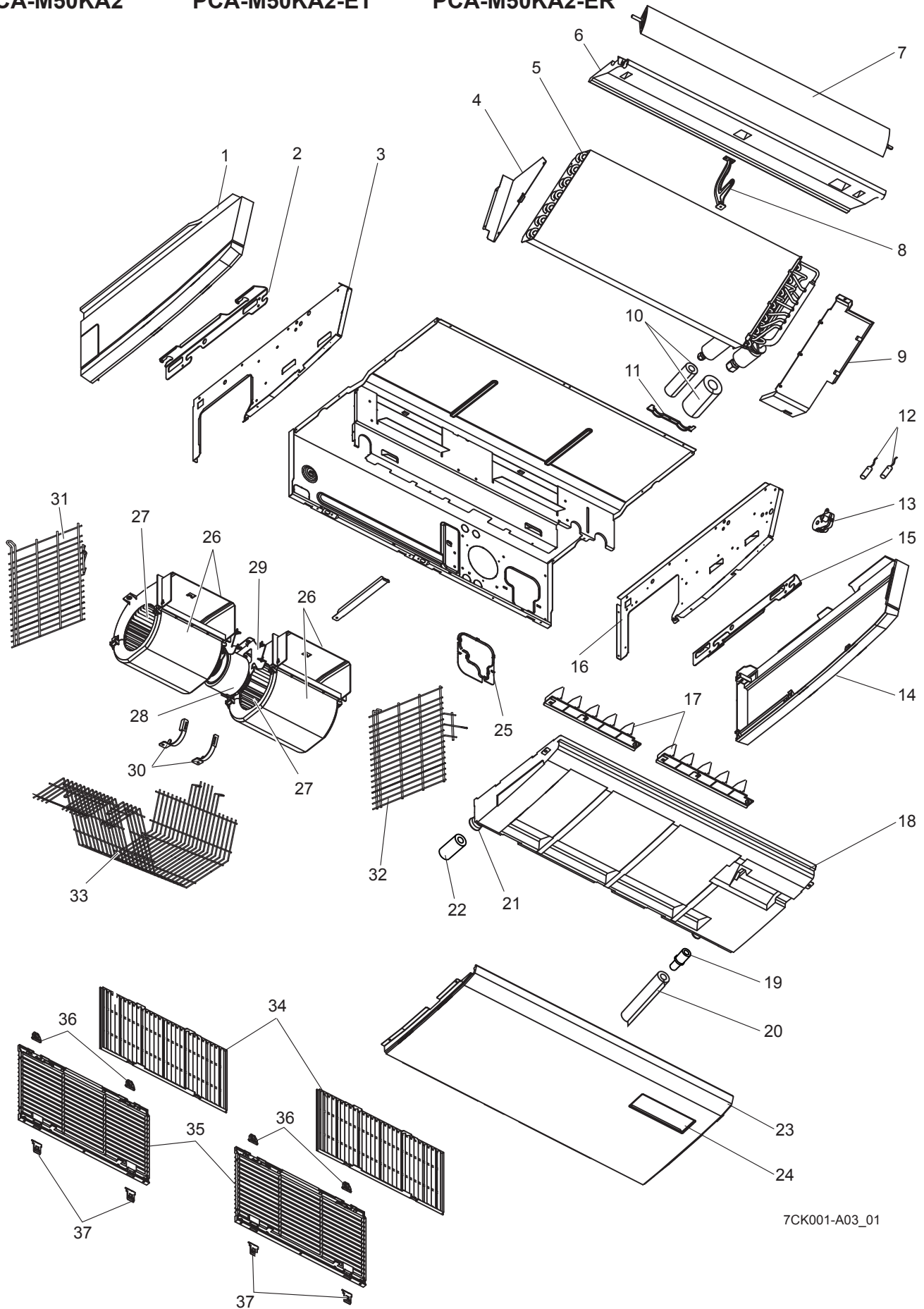
**SERVICE MANUAL (OCH752)**

**STRUCTURAL AND FUNCTIONAL PARTS**

PCA-M35KA2  
PCA-M50KA2

PCA-M35KA2-ET  
PCA-M50KA2-ET

PCA-M35KA2-ER  
PCA-M50KA2-ER



7CK001-A03\_01

1. The part quantity below indicates the required number of pieces per unit.
2. The circled No. indicates that the part is not shown in the figure.

No.	Parts No.	Parts Name	PCA-M35KA2	PCA-M35KA2-ET	PCA-M35KA2-ER	PCA-M50KA2	PCA-M50KA2-ET	PCA-M50KA2-ER	Wiring Diagram Symbol	Remarks [Drawing No.]
1	R01 E26 662	SIDE PANEL-L	1	1	1	1	1	1		Includes HANGER
2	R01 E06 809	LEG-L	1	1	1	1	1	1		
3	R01 E02 666	SIDE PLATE-L	1	1	1	1	1	1		Includes LEG-L
4	R01 E05 615	COIL SUPPORT-H	1	1	1	1	1	1		
5	T7W R00 480	HEAT EXCHANGER	1	1	1					
5	T7W R01 480	HEAT EXCHANGER				1	1	1		
6	R01 E12 651	FRONT PANEL-S	1	1	1	1	1	1		Small
7	R01 E28 002	AUTO VANE-S	1	1	1	1	1	1		
8	R01 E04 033	VANE SUPPORT	1	1	1	1	1	1		
9	R01 E04 615	COIL SUPPORT	1	1	1	1	1	1		
10	R01 E10 660	PIPE COVERS SET	1	1	1	1	1	1		
11	R01 E02 126	PIPE BAND	1	1	1	1	1	1		
12	T7W E61 202	THERMISTOR-L/G	1	1	1	1	1	1	TH2/TH5	
13	R01 H31 223	VANE MOTOR ASSY	1	1	1	1	1	1	MV	Includes LEAD WIRE
14	R01 E45 661	SIDE PANEL-R	1	1	1	1	1	1		Includes HANGER
15	R01 E06 808	LEG-R	1	1	1	1	1	1		
16	R01 E02 665	SIDE PLATE-R	1	1	1	1	1	1		Includes LEG-R
17	R01 E03 085	GUIDE VANE (5)	2	2	2	2	2	2		
18	R01 E42 529	DRAIN PAN (S)	1	1	1	1	1	1		
19	R01 18J 523	JOINT SOCKET	1	1	1	1	1	1		
20	R01 18J 072	DRAIN HOSE COVER	1	1	1	1	1	1		
21	R01 18J 524	DRAIN PLUG	1	1	1	1	1	1		
22	R01 E03 660	DRAIN SOCKET COVER	1	1	1	1	1	1		
23	R01 E03 669	UNDER PANEL-S	1	1	1	1	1	1		Small
24	R01 E03 070	BRAND PLATE	1	1	1	1	1	1		
25	R01 E00 053	PIPE HOLE COVER	1	1	1	1	1	1		
26	R01 20J 110	CASING (UNDER & TOP)	2	2	2	2	2	2		TOP & UNDER
27	R01 E40 114	SIROCCO FAN (AL12)	2	2	2	2	2	2		D12
28	T7W C02 220	FAN MOTOR	1	1	1	1	1	1	MF	
29	T7W E16 130	MOTOR LEG	1	1	1	1	1	1		
30	T7W E02 126	MOTOR BAND (R.L)	1	1	1	1	1	1		LEFT & RIGHT
31	T7W E20 675	FAN GUARD-L	1	1	1	1	1	1		
32	T7W E21 675	FAN GUARD-R	1	1	1	1	1	1		
33	T7W E22 675	FAN GUARD	1	1	1	1	1	1		
34	R01 E24 500	AIR FILTER-S	2	2	2	2	2	2		Small
35	R01 E54 691	GRILLE-S	2	2	2	2	2	2		Includes HANGER
36	R01 E04 061	GRILLE HINGE	4	4	4	4	4	4		
37	R01 E11 054	GRILLE CATCH	4	4	4	4	4	4		

# STRUCTURAL AND FUNCTIONAL PARTS

PCA-M60KA2

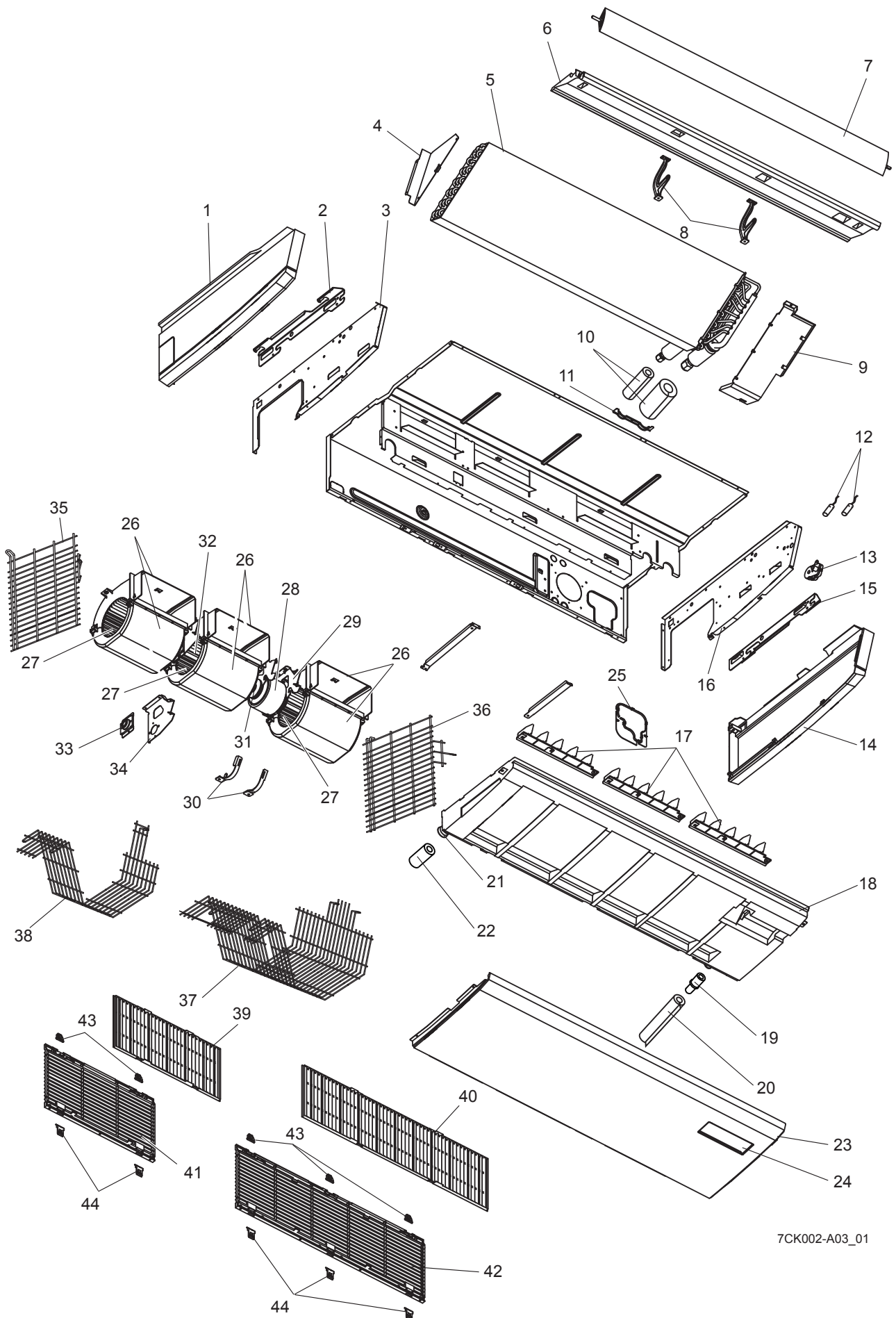
PCA-M60KA2-ET

PCA-M60KA2-ER

PCA-M71KA2

PCA-M71KA2-ET

PCA-M71KA2-ER



7CK002-A03\_01

1. The part quantity below indicates the required number of pieces per unit.
2. The circled No. indicates that the part is not shown in the figure.

No.	Parts No.	Parts Name	PCA-M60KA2	PCA-M60KA2-ET	PCA-M60KA2-ER	PCA-M71KA2	PCA-M71KA2-ET	PCA-M71KA2-ER	Wiring Diagram Symbol	Remarks [Drawing No.]
1	R01 E26 662	SIDE PANEL-L	1	1	1	1	1	1		Includes HANGER
2	R01 E06 809	LEG-L	1	1	1	1	1	1		
3	R01 E02 666	SIDE PLATE-L	1	1	1	1	1	1		Includes LEG-L
4	R01 E05 615	COIL SUPPORT-H	1	1	1	1	1	1		
5	T7W R02 480	HEAT EXCHANGER	1	1	1					
5	T7W R03 480	HEAT EXCHANGER				1	1	1		
6	R01 E13 651	FRONT PANEL-M	1	1	1	1	1	1		Middle
7	R01 E29 002	AUTO VANE-M	1	1	1	1	1	1		
8	R01 E04 033	VANE SUPPORT	2	2	2	2	2	2		
9	R01 E04 615	COIL SUPPORT	1	1	1	1	1	1		
10	R01 E10 660	PIPE COVERS SET	1	1	1	1	1	1		
11	R01 E02 126	PIPE BAND	1	1	1	1	1	1		
12	T7W E61 202	THERMISTOR-L/G	1	1	1	1	1	1	TH2/TH5	
13	R01 H31 223	VANE MOTOR ASSY	1	1	1	1	1	1	MV	Includes LEAD WIRE
14	R01 E45 661	SIDE PANEL-R	1	1	1	1	1	1		Includes HANGER
15	R01 E06 808	LEG-R	1	1	1	1	1	1		
16	R01 E02 665	SIDE PLATE-R	1	1	1	1	1	1		Includes LEG-R
17	R01 E03 085	GUIDE VANE (5)	3	3	3	3	3	3		
18	R01 E43 529	DRAIN PAN (M)	1	1	1	1	1	1		
19	R01 18J 523	JOINT SOCKET	1	1	1	1	1	1		
20	R01 18J 072	DRAIN HOSE COVER	1	1	1	1	1	1		
21	R01 18J 524	DRAIN PLUG	1	1	1	1	1	1		
22	R01 E03 660	DRAIN SOCKET COVER	1	1	1	1	1	1		
23	R01 E04 669	UNDER PANEL-M	1	1	1	1	1	1		Middle
24	R01 E03 070	BRAND PLATE	1	1	1	1	1	1		
25	R01 E00 053	PIPE HOLE COVER	1	1	1	1	1	1		
26	R01 20J 110	CASING (UNDER & TOP)	3	3	3	3	3	3		TOP & UNDER
27	R01 E40 114	SIROCCO FAN (AL12)	3	3	3	3	3	3		D12
28	T7W C03 220	FAN MOTOR	1	1	1	1	1	1	MF	
29	T7W E16 130	MOTOR LEG	1	1	1	1	1	1		
30	T7W E02 126	PIECE (R.L)	1	1	1	1	1	1		LEFT & RIGHT
31	R01 H00 116	JOINT (SHAFT)	1	1	1	1	1	1		
32	R01 31J 100	FAN SHAFT	1	1	1	1	1	1		
33	R01 E05 103	BEARING	1	1	1	1	1	1		
34	R01 E00 145	BEARING SUPPORT	1	1	1	1	1	1		
35	T7W E20 675	FAN GUARD-L	1	1	1	1	1	1		
36	T7W E21 675	FAN GUARD-R	1	1	1	1	1	1		
37	T7W E23 675	FAN GUARD	1	1	1	1	1	1		
38	T7W E24 675	FAN GUARD	1	1	1	1	1	1		
39	R01 E24 500	AIR FILTER-S	1	1	1	1	1	1		Small
40	R01 E25 500	AIR FILTER-L	1	1	1	1	1	1		Large
41	R01 E54 691	GRILLE-S	1	1	1	1	1	1		Includes HANGER
42	R01 E55 691	GRILLE-L	1	1	1	1	1	1		Includes HANGER
43	R01 E04 061	GRILLE HINGE	5	5	5	5	5	5		
44	R01 E11 054	GRILLE CATCH	5	5	5	5	5	5		

# STRUCTURAL AND FUNCTIONAL PARTS

PCA-M100KA2

PCA-M100KA2-ET

PCA-M100KA2-ER

PCA-M125KA2

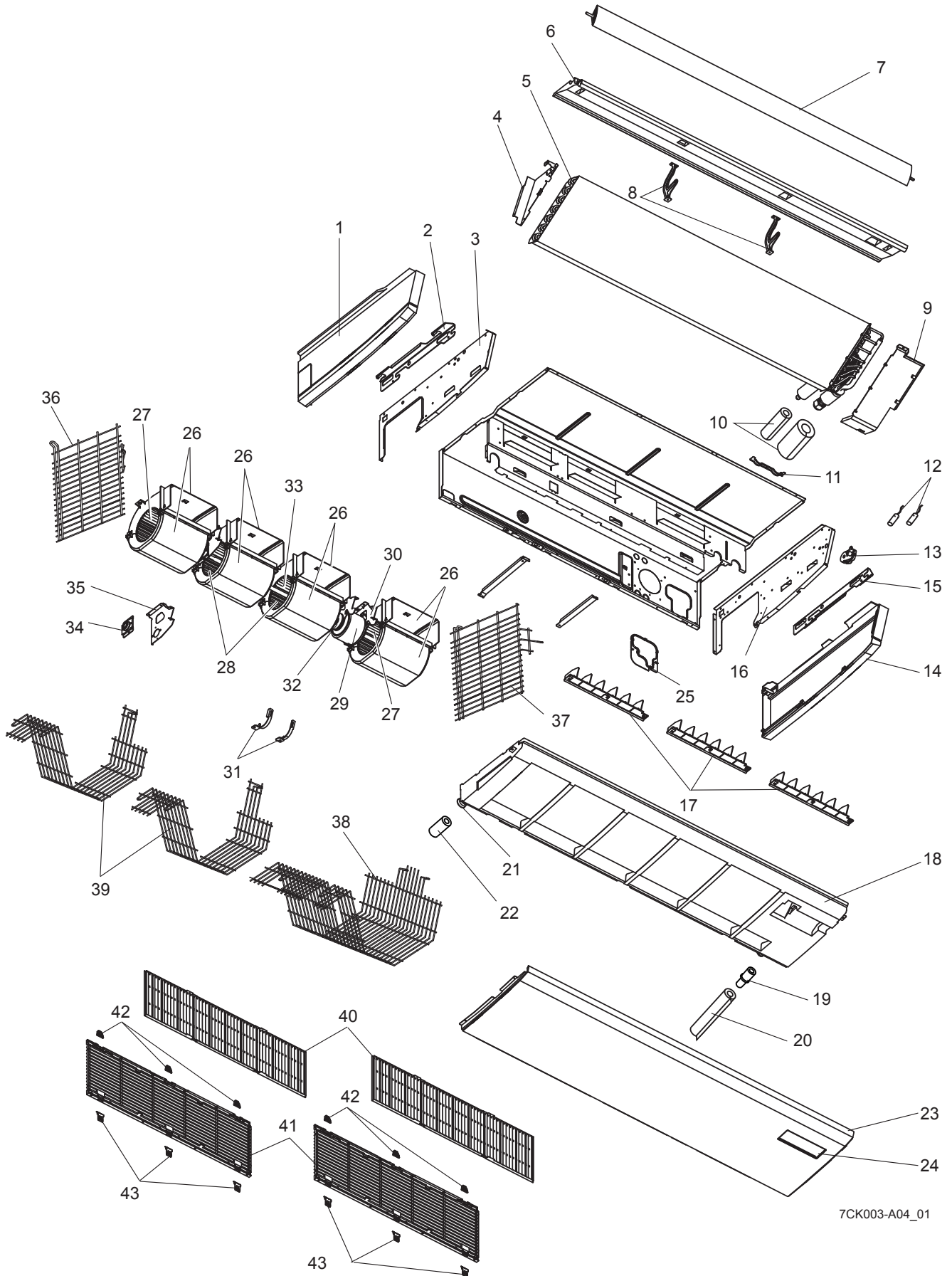
PCA-M125KA2-ET

PCA-M125KA2-ER

PCA-M140KA2

PCA-M140KA2-ET

PCA-M140KA2-ER



7CK003-A04\_01

1. The part quantity below indicates the required number of pieces per unit.
2. The circled No. indicates that the part is not shown in the figure.

No.	Parts No.	Parts Name										Wiring Diagram Symbol	Remarks [Drawing No.]
			PCA-M100KA2	PCA-M100KA2-ET	PCA-M100KA2-ER	PCA-M125KA2	PCA-M125KA2-ET	PCA-M125KA2-ER	PCA-M140KA2	PCA-M140KA2-ET	PCA-M140KA2-ER		
1	R01 E26 662	SIDE PANEL-L	1	1	1	1	1	1	1	1	1		Includes HANGER
2	R01 E06 809	LEG-L	1	1	1	1	1	1	1	1	1		
3	R01 E02 666	SIDE PLATE-L	1	1	1	1	1	1	1	1	1		Includes LEG-L
4	R01 E08 615	COIL SUPPORT-H	1	1	1	1	1	1					
4	R01 E09 615	COIL SUPPORT-H							1	1	1		
5	T7W R04 480	HEAT EXCHANGER	1	1	1								
5	T7W R05 480	HEAT EXCHANGER				1	1	1					
5	T7W R06 480	HEAT EXCHANGER							1	1	1		
6	R01 E14 651	FRONT PANEL-L	1	1	1	1	1	1	1	1	1		Large
7	R01 E30 002	AUTO VANE-L	1	1	1	1	1	1	1	1	1		
8	R01 E04 033	VANE SUPPORT	2	2	2	2	2	2	2	2	2		
9	R01 E04 615	COIL SUPPORT	1	1	1	1	1	1	1	1	1		
10	R01 E10 660	PIPE COVERS SET	1	1	1	1	1	1	1	1	1		
11	R01 E02 126	PIPE BAND	1	1	1	1	1	1	1	1	1		
12	T7W E61 202	THERMISTOR-L/G	1	1	1	1	1	1	1	1	1	TH2/TH5	
13	R01 H31 223	VANE MOTOR ASSY	1	1	1	1	1	1	1	1	1	MV	Includes LEAD WIRE
14	R01 E45 661	SIDE PANEL-R	1	1	1	1	1	1	1	1	1		Includes HANGER
15	R01 E06 808	LEG-R	1	1	1	1	1	1	1	1	1		
16	R01 E02 665	SIDE PLATE-R	1	1	1	1	1	1	1	1	1		Includes LEG-R
17	R01 E04 085	GUIDE VANE (6)	3	3	3	3	3	3	3	3	3		
18	R01 E44 529	DRAIN PAN (L)	1	1	1	1	1	1	1	1	1		
19	R01 18J 523	JOINT SOCKET	1	1	1	1	1	1	1	1	1		VP20
20	R01 18J 072	DRAIN HOSE COVER	1	1	1	1	1	1	1	1	1		
21	R01 18J 524	DRAIN PLUG	1	1	1	1	1	1	1	1	1		
22	R01 E03 660	DRAIN SOCKET COVER	1	1	1	1	1	1	1	1	1		
23	R01 E05 669	UNDER PANEL-L	1	1	1	1	1	1	1	1	1		Large
24	R01 E03 070	BRAND PLATE	1	1	1	1	1	1	1	1	1		
25	R01 E00 053	PIPE HOLE COVER	1	1	1	1	1	1	1	1	1		
26	R01 20J 110	CASING (UNDER & TOP)	4	4	4	4	4	4	4	4	4		TOP & UNDER
27	R01 E40 114	SIROCCO FAN (AL12)	2	2	2	2	2	2	2	2	2		D12
28	R01 E41 114	SIROCCO FAN (AL15)	2	2	2	2	2	2	2	2	2		D15
29	T7W E40 762	FAN MOTOR	1	1	1	1	1	1	1	1	1	MF	
30	T7W E16 130	MOTOR LEG	1	1	1	1	1	1	1	1	1		
31	T7W E02 126	MOTOR BAND (R.L)	1	1	1	1	1	1	1	1	1		LEFT & RIGHT
32	R01 H00 116	JOINT (SHAFT)	1	1	1	1	1	1	1	1	1		
33	R01 32J 100	FAN SHAFT	1	1	1	1	1	1	1	1	1		
34	R01 E05 103	BEARING	1	1	1	1	1	1	1	1	1		
35	R01 E00 145	BEARING SUPPORT	1	1	1	1	1	1	1	1	1		
36	T7W E20 675	FAN GUARD-L	1	1	1	1	1	1	1	1	1		
37	T7W E21 675	FAN GUARD-R	1	1	1	1	1	1	1	1	1		
38	T7W E23 675	FAN GUARD	1	1	1	1	1	1	1	1	1		FOR MF
39	T7W E25 675	FAN GUARD	2	2	2	2	2	2	2	2	2		
40	R01 E25 500	AIR FILTER-L	2	2	2	2	2	2	2	2	2		Large
41	R01 E55 691	GRILLE-L	2	2	2	2	2	2	2	2	2		Includes HANGER
42	R01 E04 061	GRILLE HINGE	6	6	6	6	6	6	6	6	6		
43	R01 E11 054	GRILLE CATCH	6	6	6	6	6	6	6	6	6		

## ELECTRICAL PARTS

PCA-M35KA2

PCA-M35KA2-ET

PCA-M35KA2-ER

PCA-M50KA2

PCA-M50KA2-ET

PCA-M50KA2-ER

PCA-M60KA2

PCA-M60KA2-ET

PCA-M60KA2-ER

PCA-M71KA2

PCA-M71KA2-ET

PCA-M71KA2-ER

PCA-M100KA2

PCA-M100KA2-ET

PCA-M100KA2-ER

PCA-M125KA2

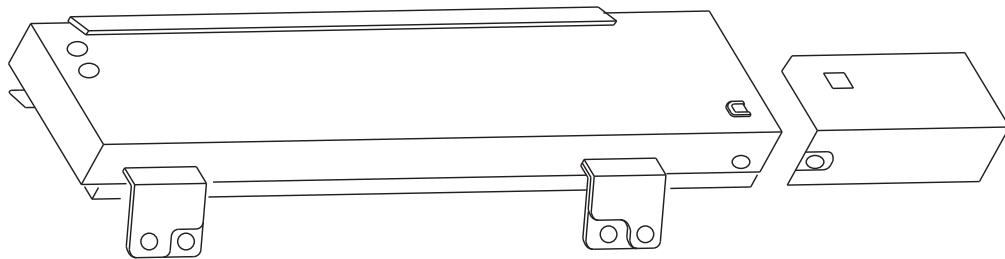
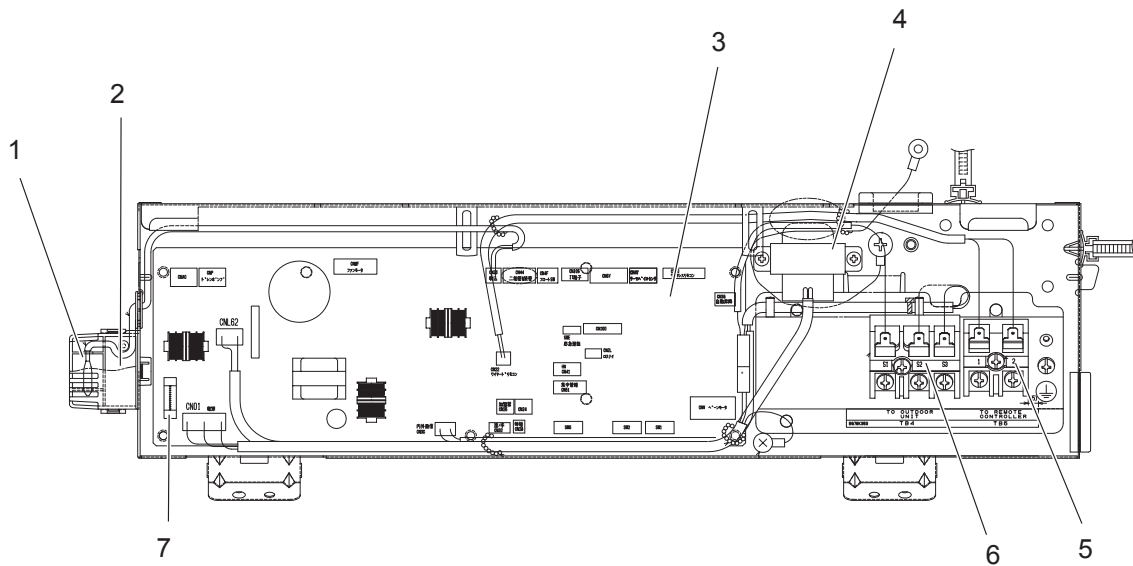
PCA-M125KA2-ET

PCA-M125KA2-ER

PCA-M140KA2

PCA-M140KA2-ET

PCA-M140KA2-ER





1. The part quantity below indicates the required number of pieces per unit.
2. The circled No. indicates that the part is not shown in the figure.

No.	Parts No.	Parts Name	PCA-M35KA2	PCA-M50KA2	PCA-M60KA2	PCA-M71KA2	PCA-M100KA2	PCA-M125KA2	PCA-M140KA2	Wiring Diagram Symbol	Remarks [Drawing No.]
1	R01 N18 202	THERMISTOR (ROOM)	1	1	1	1	1	1	1	TH1	
2	R01 E01 520	SENSOR COVER	1	1	1	1	1	1	1		For TH1
3	T7W S08 310	CONTROLLER BOARD	1	1	1	1	1	1	1	I.B	
4	T7W E34 259	REACTOR	1	1	1	1	1	1	1	DCL	
5	T7W E33 716	T.B./1.2	1	1	1	1	1	1	1	TB5	2P (1,2)
6	R01 E20 246	T.B./S1.S2.S3	1	1	1	1	1	1	1	TB4	3P (S1, S2, S3)
7	R01 E14 239	FUSE 6.3A 250V	1	1	1	1	1	1	1	FUSE	6.3A 250V

No.	Parts No.	Parts Name	PCA-M35KA2-ET	PCA-M50KA2-ET	PCA-M60KA2-ET	PCA-M71KA2-ET	PCA-M100KA2-ET	PCA-M125KA2-ET	PCA-M140KA2-ET	Wiring Diagram Symbol	Remarks [Drawing No.]
1	R01 N18 202	THERMISTOR (ROOM)	1	1	1	1	1	1	1	TH1	
2	R01 E01 520	SENSOR COVER	1	1	1	1	1	1	1		For TH1
3	T7W S08 310	CONTROLLER BOARD	1	1	1	1	1	1	1	I.B	
4	T7W E34 259	REACTOR	1	1	1	1	1	1	1	DCL	
5	T7W E33 716	T.B./1.2	1	1	1	1	1	1	1	TB5	2P (1,2)
6	R01 E20 246	T.B./S1.S2.S3	1	1	1	1	1	1	1	TB4	3P (S1, S2, S3)
7	R01 E14 239	FUSE 6.3A 250V	1	1	1	1	1	1	1	FUSE	6.3A 250V

No.	Parts No.	Parts Name	PCA-M35KA2-ER	PCA-M50KA2-ER	PCA-M60KA2-ER	PCA-M71KA2-ER	PCA-M100KA2-ER	PCA-M125KA2-ER	PCA-M140KA2-ER	Wiring Diagram Symbol	Remarks [Drawing No.]
1	R01 N18 202	THERMISTOR (ROOM)	1	1	1	1	1	1	1	TH1	
2	R01 E01 520	SENSOR COVER	1	1	1	1	1	1	1		For TH1
3	T7W S08 310	CONTROLLER BOARD	1	1	1	1	1	1	1	I.B	
4	T7W E34 259	REACTOR	1	1	1	1	1	1	1	DCL	
5	T7W E33 716	T.B./1.2	1	1	1	1	1	1	1	TB5	2P (1,2)
6	R01 E20 246	T.B./S1.S2.S3	1	1	1	1	1	1	1	TB4	3P (S1, S2, S3)
7	R01 E14 239	FUSE 6.3A 250V	1	1	1	1	1	1	1	FUSE	6.3A 250V

## 2

## OPTIONAL PARTS

PARTS NAME	PARTS NO.	PCA-M•KA2 PCA-M•KA2-ET PCA-M•KA2-ER			
		35/50	60	71	100/125/140
High-efficiency filter element	PAC-SH88KF-E	○			
	PAC-SH89KF-E		○	○	
	PAC-SH90KF-E				○
Drain pump	PAC-SJ92DM-E	○			
	PAC-SJ93DM-E			○	○
	PAC-SJ94DM-E		○		
System control interface	MAC-334IF-E	○	○	○	—
MA and contact terminal interface	MAC-397IF-E	○	○	○	—
Wi-Fi interface	MAC-587IF-E	○	○	○	○
Power supply terminal kit	PAC-SG96HR-E	○	○	○	○
Wired remote controller	PAR-41MAA	○	○	○	○
	PAC-YT52CRA	○	○	○	○
	PAR-CT01MAA	○	○	○	○
Signal sender	PAR-SL101A-E	○	○	○	○
Controller kit	PAR-SL94B-E	○	○	○	○
Remote sensor	PAC-SE41TS-E	○	○	○	○
Remote on/off adapter	PAC-SE55RA-E	○	○	○	○
Remote operation adapter	PAC-SE40RM-E	○	○	○	○
Connector cable for remote display	PAC-SA88HA-E	○	○	○	○

# MITSUBISHI ELECTRIC CORPORATION

HEAD OFFICE : TOKYO BUILDING, 2-7-3, MARUNOUCHI, CHIYODA-KU, TOKYO 100-8310, JAPAN