

SERVICE PARTS LIST FOR MITSUBISHI ELECTRIC REFRIGERATION SYSTEMS:HOT WATER HEAT PUMP UNIT

Series : QAHV-N•YA-HPB(-BS)

REVISED

Apr. 2024

BWE01615E

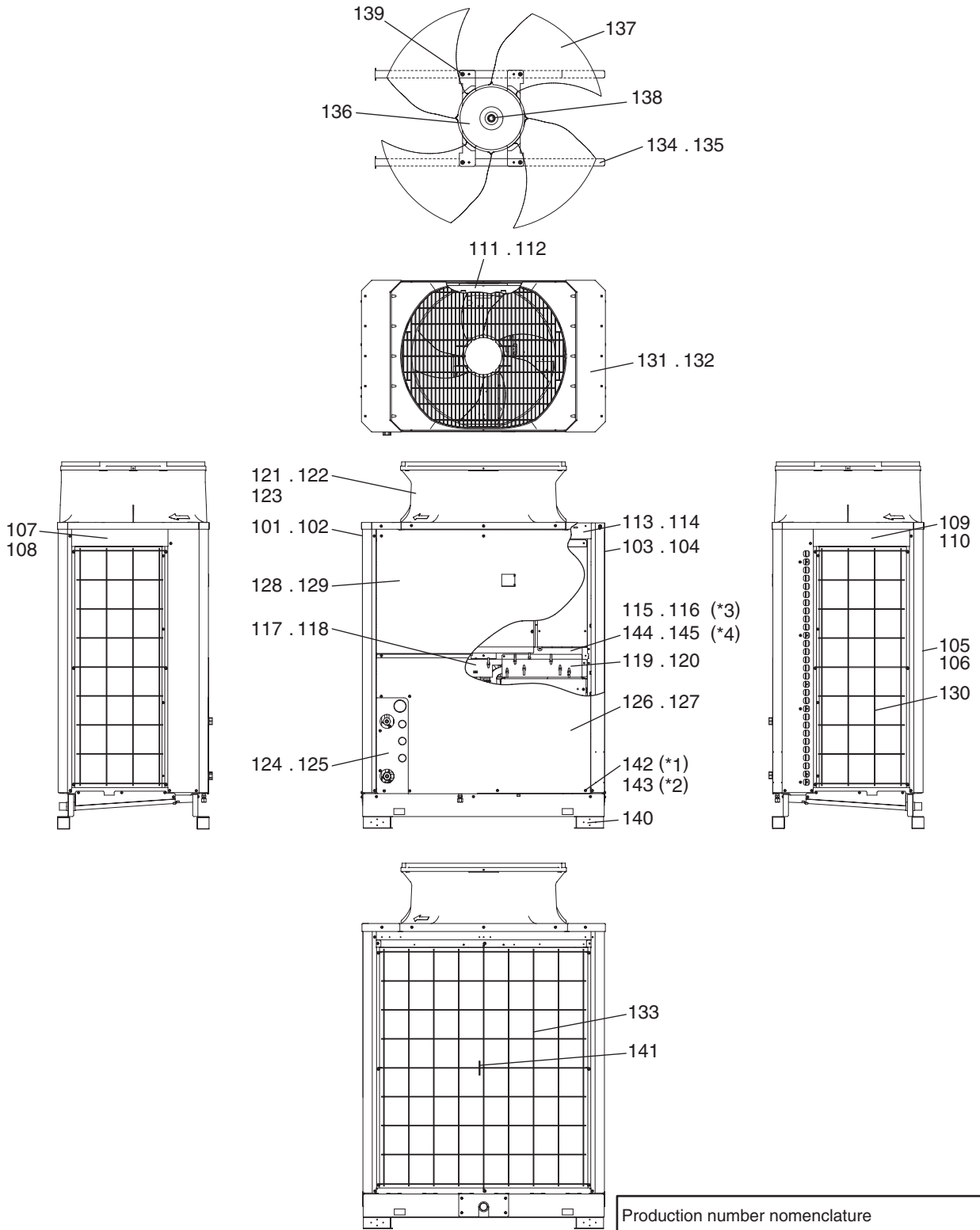
INDEX
QAHV-N560YA-HPB QAHV-N560YA-HPB-BS

Part information update day : 2024/03/26

Please change the old catalog (issued July 2021, No.BWE01615D) to this new catalog.

Content of revision : Some of parts are changed.



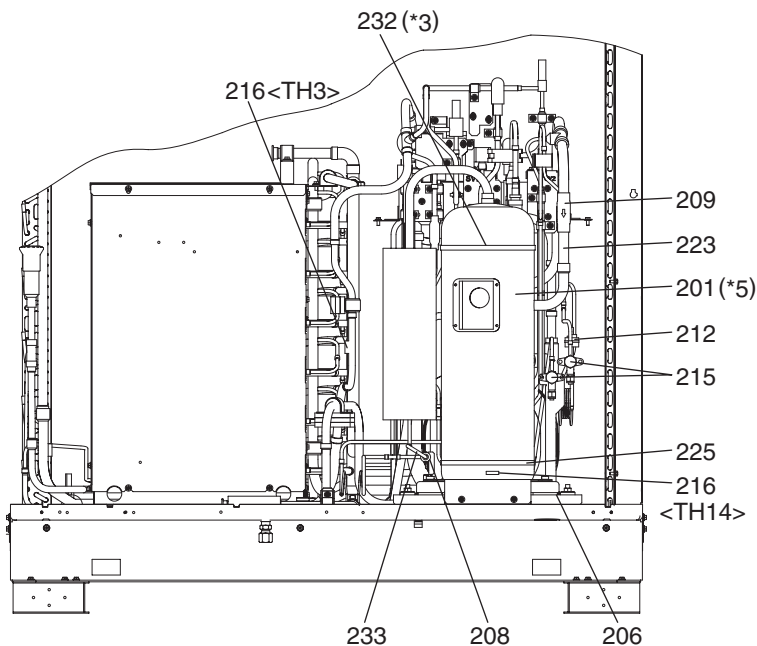
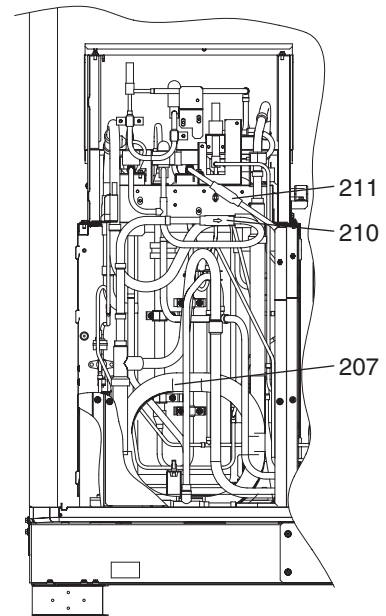
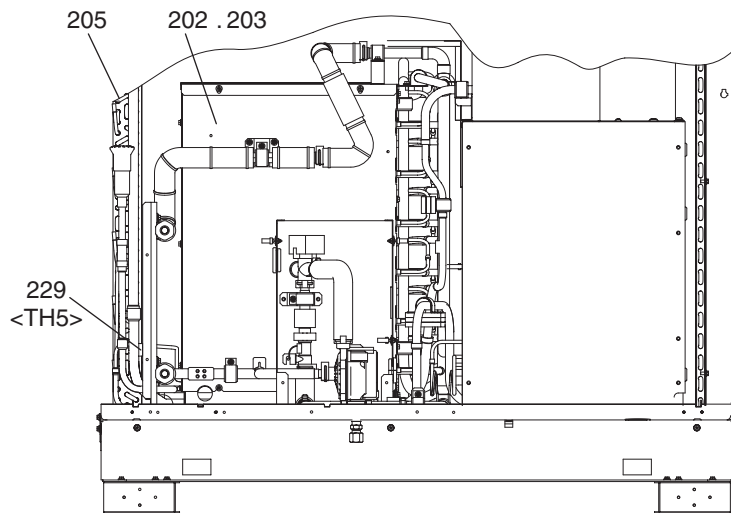
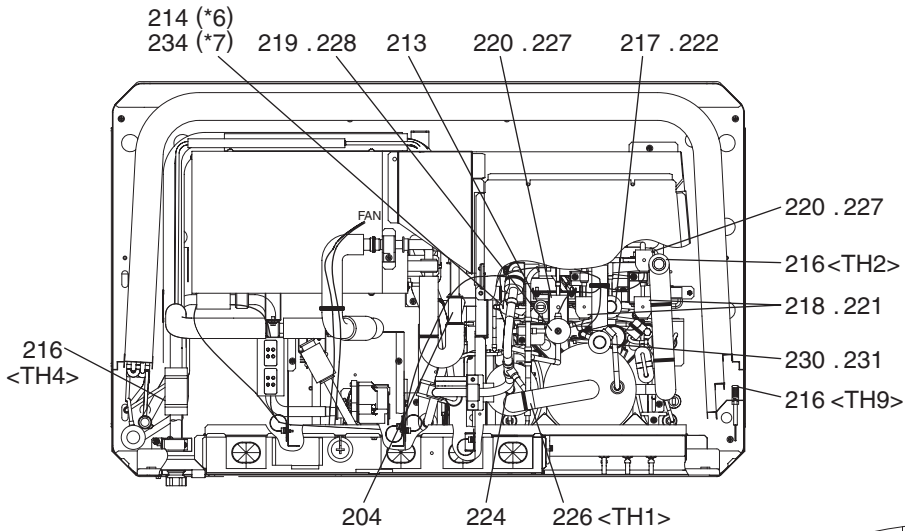


*1 Each unit requires 47 H screws (Part No.142).
 *2 Each unit requires 30 WFT screws (Part No.143).
 *3 Production in or before April 2021 (Serial No.: Up to 14W*****).
 *4 Production in and after May 2021 (Serial No.: 15W***** and on)

Production number nomenclature			
0	1	W	00001
(1)	(2)	(3)	(4)
(1) Last digit of the production year (cycles back in 10 years) *0 = Produced in FY2010 (April 2010 – March 2011) *1 = Produced in FY2011 (April 2011 – March 2012) *9 = Produced in FY2019 (April 2019 – March 2020)			
(2) 1 = Production month (1 – 9 = Jan. – Sept.; X = Oct.; Y = Nov.; Z = Dec.)			
(3) W = Standard product			
(4) Serial number			

No.	Part No.	Part Name	Spec.	QAHV-N560YA-HPB	QAHV-N560YA-HPB-BS					Dwg. No.	Notes for the models	Revision info.
101	R11 019 626	Pillar LF		1						KB02A011G07		
102	R11 020 626	Pillar LF	BS		1					KB02A011G08		
103	R11 014 626	Pillar RF		1						KB02A012G07		
104	R11 015 626	Pillar RF	BS		1					KB02A012G08		
105	R63 002 627	Pillar B		2						KB02A013G07		
106	R63 003 627	Pillar B	BS		2					KB02A013G08		
107	R63 038 162	Frame assy L		1						KD00G100G01		
108	R63 040 162	Frame assy L	BS		1					KD00G100G02		
109	R63 039 162	Frame assy R		1						KD00G101G01		
110	R63 041 162	Frame assy R	BS		1					KD00G101G02		
111	R12 037 215	Frame assy TB		1						KC00R939G01		
112	R12 038 215	Frame assy TB	BS		1					KC00R939G02		
113	R12 039 215	Frame assy TF		1						KC00R938G01		
114	R12 040 215	Frame assy TF	BS		1					KC00R938G02		
115	R12 041 215	Frame assy MU		1						KC00G234G13	*3	
116	R12 042 215	Frame assy MU	BS		1					KC00G234G14	*3	
117	R12 020 215	Frame assy MBL		1						KC00G384G09		Chg.
118	R12 021 215	Frame assy MBL	BS		1					KC00G384G10		Chg.
119	R12 022 215	Frame assy MBR		1						KC00H064G05		
120	R12 023 215	Frame assy MBR	BS		1					KC00H064G06		
121	R61 004 119	Bell mouth		1	1					KB25A368H04		
122	R11 003 009	Fanguard		1	1					KB25V019H04		
123	R61 009 669	Fanguard fixed plate		4	4					KD02D205H03		
124	R12 004 011	Cover piping		1						KC00H258G20		
125	R12 003 011	Cover piping	BS		1					KC00H258G21		
126	R12 045 661	Panel assy FB		1						KC02B483G01		
127	R12 046 661	Panel assy FB	BS		1					KC02B483G02		
128	R12 101 661	Panel assy FU		1						KC00R942G03		Chg.
129	R12 102 661	Panel assy FU	BS		1					KC00R942G04		Chg.
130	R61 007 611	Fin guard LR		2	2					KB07C043G04		Chg.
131	R12 004 400	Cover fanguard		2						KC02J299G01		
132	R12 005 400	Cover fanguard	BS		2					KC02J299G02		
133	R61 003 118	Fin guard B		1	1					KB07T209G01		
134	R61 016 140	Base fan		2						KD02D026H01		
135	R61 017 140	Base fan	BS		2					KD02D026G04		
136	R12 003 941	Motor	L-920-B4-1	1	1					KC78T462G02		
137	R61 001 300	Fan		1	1					KB25A009H05		
138	R63 4H6 122	Box nut	M12 CH	1	1					P552000X01		
139	R61 028 087	Upset screw	M6 x 10	4	4					P516049X01		
140	R61 016 130	Attachment leg		4	4					KD02T773G01		
141	R63 L59 060	Guard fixed plate		1	1					W893727H04		Chg.
142	R61 048 087	H screw	5 x 10 KNURLED (30pcs)	2	2					KB00H418G14	*1	
143	R63 006 087	WFT screw	5 x 12 (30 pcs)	2	2					KB00H418G01	*2	
144	R12 043 215	Frame assy MU		1						KC00G234G17	*4	
145	R12 044 215	Frame assy MU	BS		1					KC00G234G18	*4	

Refrigerant circuit



*5 When part 201 is replaced,
replace part 232 as well.

Production number nomenclature			
0	1	W	00001
(1)	(2)	(3)	(4)

(1) Last digit of the production year
(cycles back in 10 years)
*0 = Produced in FY2010 (April 2010 – March 2011)
*1 = Produced in FY2011 (April 2011 – March 2012)
*9 = Produced in FY2019 (April 2019 – March 2020)

(2) 1 = Production month
(1 – 9 = Jan. – Sept.; X = Oct.; Y = Nov.; Z = Dec.)

(3) W = Standard product

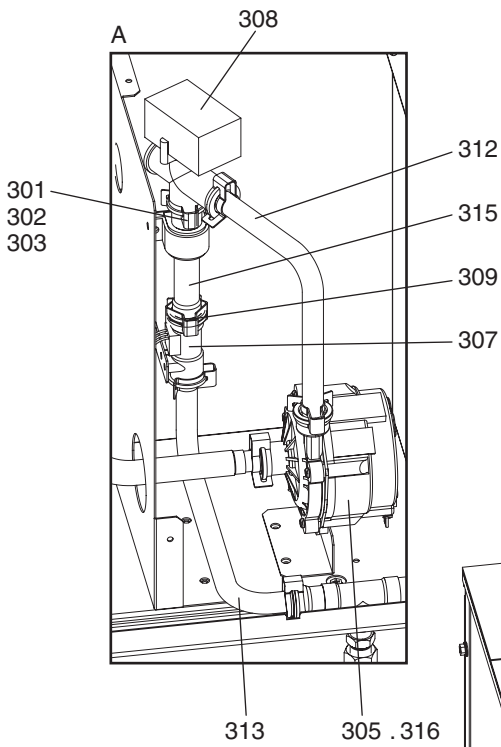
(4) Serial number

*6 Production in or before November 2023
(Serial No.: Up to 3YW01594)

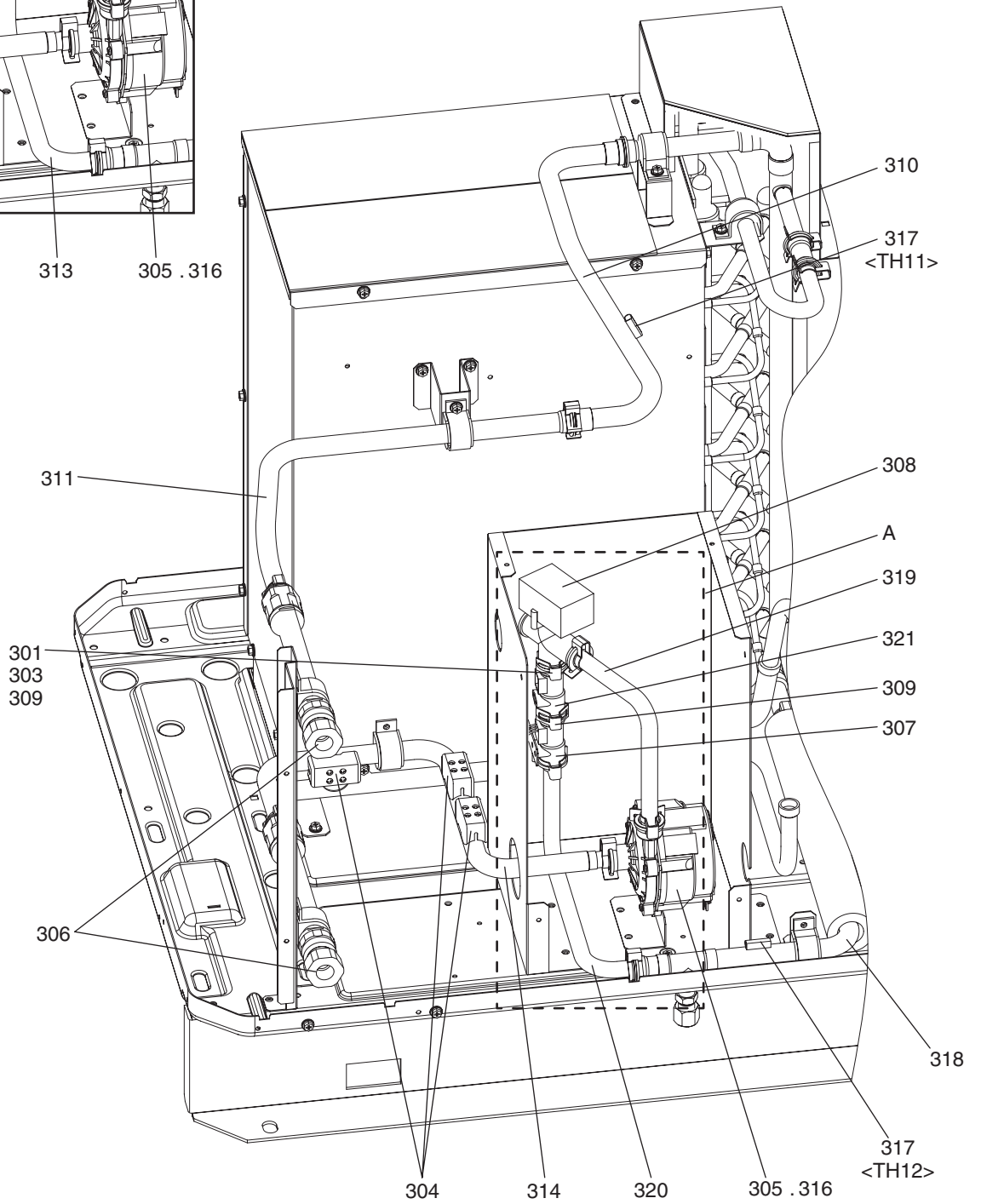
*7 Production in and after November 2023
(Serial No.: 3YW01595 and on)

No.	Part No.	Part Name	Spec.	QAHV-N560YA-HPB	QAHV-N560YA-HPB-BS								Dwg. No.	Notes for the models	Revision info.
201	R69 143 478	Compressor	HXK24FA-Y	1	1								EP10163B01	*5	
202	R12 042 105	Gas cooler assy		1									KC00J137G17		Chg.
203	R12 043 105	Gas cooler assy	BS		1								KC00J137G18		Chg.
204	R12 024 675	Quick adapter		1	1								KC14H668H01		
205	R63 033 105	Heat exchanger		1	1								KC00R971G12		Chg.
206	R11 005 860	Rubber mount		8	8								W867501H02		
207	R12 007 420	Double pipe hex assy		1	1								KC00G658G02		
208	R63 006 907	Strainer	ID 6.35	1	1								KC48D507G01		
209	R63 004 907	Strainer	19.05	1	1								KC48C420G01		
210	R12 008 907	Strainer	ID 12.7	1	1								KC48C689G01		
211	R63 005 907	Strainer	ID 9.52	2	2								KC48D508G01		
212	R63 002 936	Pressure sensor	HSK-BC10	1	1								P418056X01		
213	R63 001 936	Pressure sensor	HSK-BC15	1	1								P418055X01		
214	R12 017 965	Pressure switch	CCB-1UB02	1	1								P426345X01	*6	
215	R12 004 171	Service valve		2	2								P666012X01		
216	R63 670 202	Thermistor	MDW103H	5	5								P425496X01	<TH2 ~ 4,9,14>	
217	R12 005 920	Linear expansion valve	HPM-BD22MD-1	1	1								P632528X01		
218	R12 012 921	Solenoid valve	HPV-102D	2	2								P631322X01		
219	R12 013 921	Solenoid valve	HPV-8	1	1								P631328X01		
220	R12 005 921	Solenoid valve	HPV-122D	2	2								P632853X01		
221	R12 019 921	Solenoid coil	HPV-MOAJ900B1	2	2								P472105X01		
222	R12 006 920	Solenoid coil	HPM	1	1								P472076X01		
223	R12 006 011	Pipe		1	1								KC14H101H02	suction(Comp.)	
224	R12 008 011	Pipe		1	1								KC14H426H01	discharge(Comp.)	
225	R63 Y07 237	Crank case heater	240V 45W	1	1								P493781X02		
226	R63 911 202	Thermistor	158-204-97484	1	1								P425416X02	<TH1>	
227	R12 016 921	Solenoid coil	HPV-MOAJ142B1	2	2								P472106X01		
228	R12 017 921	Solenoid coil	HPV-MORJ061B1	1	1								P472107X01		
229	R61 060 200	Thermistor	150-522-96001	1	1								P418065X01	<TH5>	
230	R63 001 920	Expansion valve	JKV-14D25	1	1								P632460X01		
231	R12 018 921	Solenoid coil	VKV-MOZS373	1	1								KC78S190G01		
232	R15 001 843	Band assy	POM BLACK SEL	1	1								KC00S007G01	*5	
233	R12 007 011	Pipe		1	1								KC14H125H02		
234	R12 019 965	Pressure switch	CCB-1UB05	1	1								P426354X01	*7	Add.

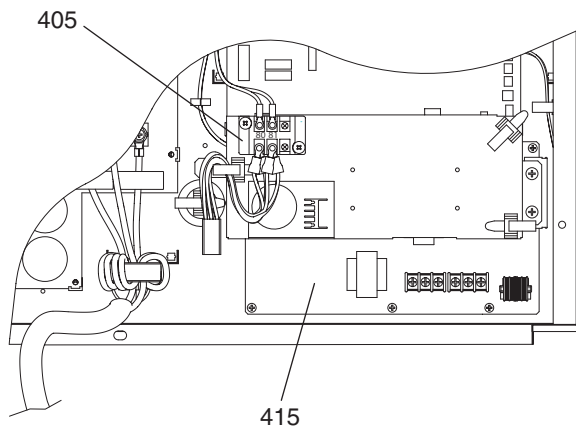
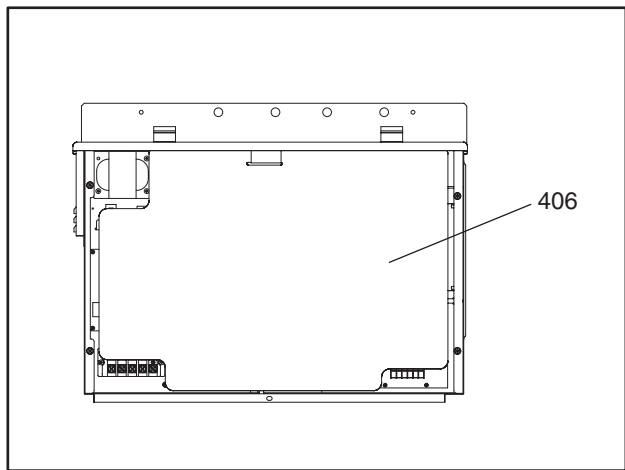
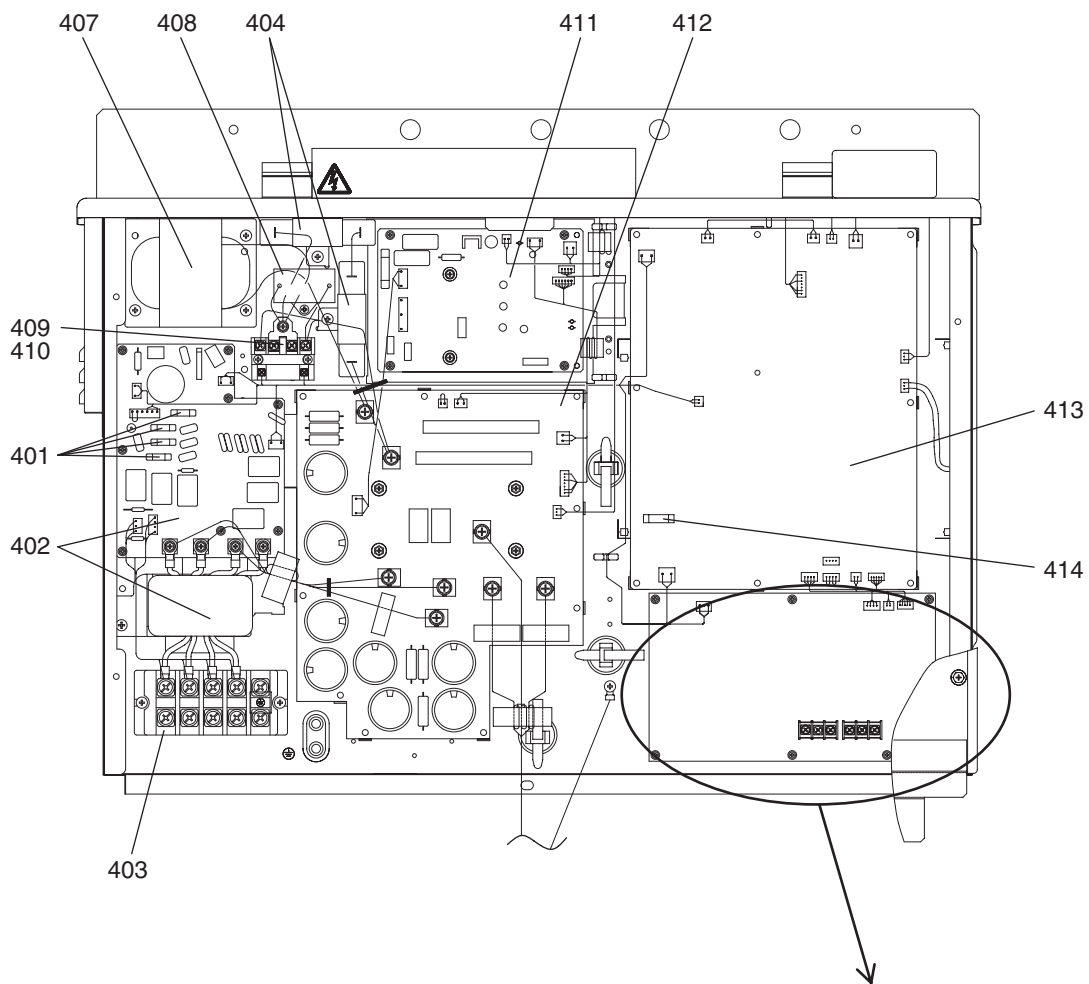
Water circuit



Detailed view of section A
 (Serial number : 68W00001 to 7XW00036)



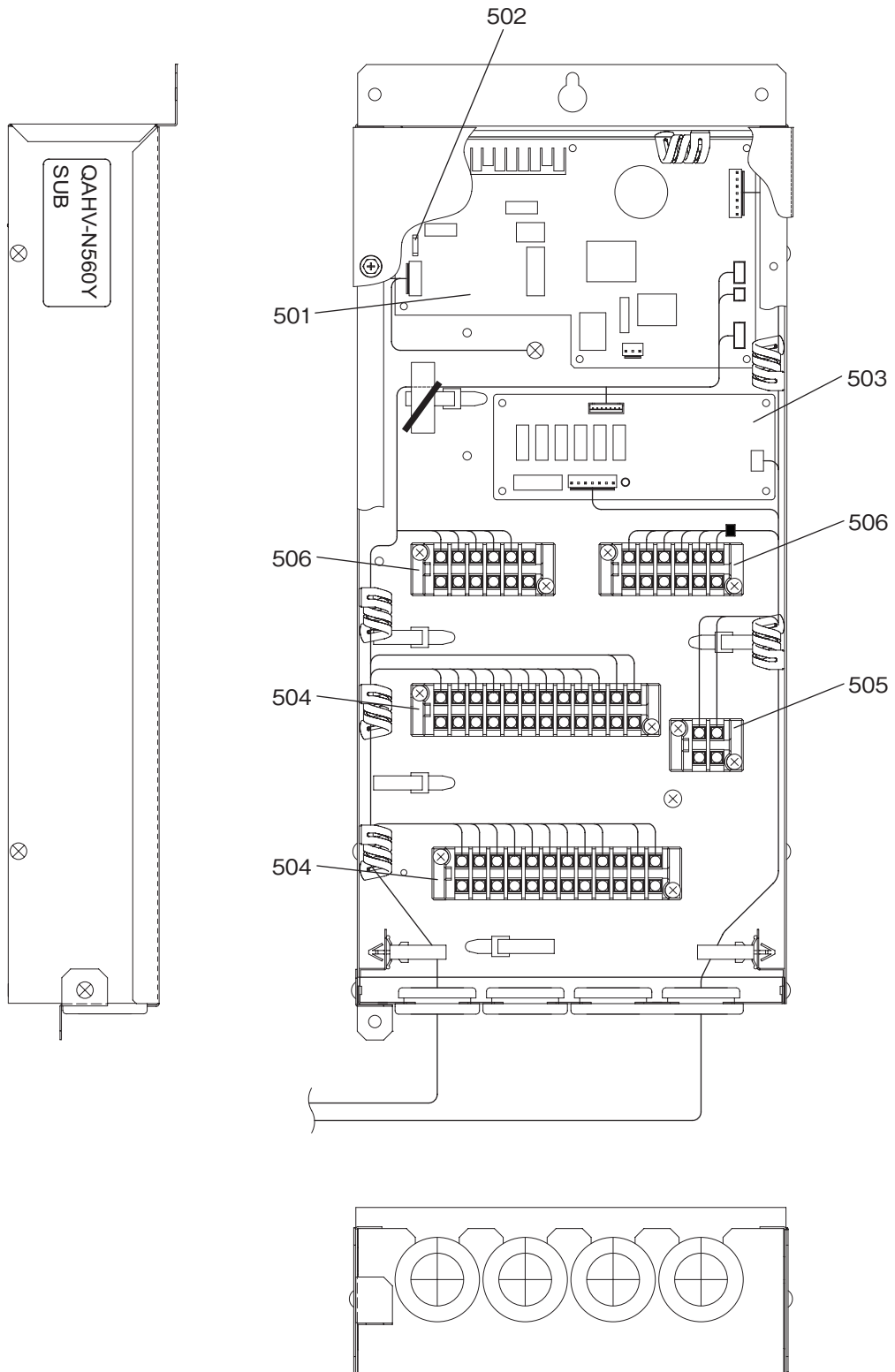
No.	Part No.	Part Name	Spec.	QAHV-N560YA-HPB							Dwg. No.	Notes for the models	Revision info.
				QAHV-N560YA-HPB	QAHV-N560YA-HPB-BS								
301	R63 002 576	O-ring	FKM-70 P-16N	12	12						P648051X01		Chg.
302	R12 002 046	Fastner	16-25	8	8						P452052X01		
303	R63 001 618	Grease	KS-651	1	1						P274001X01		
304	R12 010 969	Heater assy	3P	1	1						KC78T956G02		
305	R12 007 291	Pump	PY-122NDCMA2	1	1						P722129X03		Chg.
306	R12 014 011	Pipe assy 1	W-IN	2	2						KC00H257G04		
307	R12 010 936	Sensor	MAQ-12PWTMD	1	1						KC78H665G01		
308	R12 003 226	Two way valve		1	1						P637057X01		
309	R12 003 046	Fastner	16A	4	4						P452053X01		
310	R12 027 011	Pipe assy 2		1	1						KC00S012G01		
311	R12 028 011	Pipe assy 3		1	1						KC14S087H01		
312	R63 040 675	Pipe assy 5		1	1						KC14P799G01		
313	R12 029 011	Pipe assy 6		1	1						KC14S101G01		
314	R12 031 011	Pipe assy 7		1	1						KC00S769G02		Chg.
315	R63 042 675	Pipe assy 8	W P02	1	1						KC00P847G01		
316	R12 029 448	Lead wire assy	power supply to the pump	1	1						KC78G432G06		
317	R63 670 202	Thermistor	MDW103H	2	2						P425496X01	<TH11,12>	
318	R12 032 011	Pipe assy 9		1	1						KC00S350G05		Chg.
319	R12 039 011	Pipe assy 5		1	1						KC14S939G01		
320	R12 040 011	Pipe assy 6		1	1						KC14S937G01		
321	R12 041 011	Pipe assy 8		1	1						P661017X01		



No.	Part No.	Part Name	Spec.	QAHV-N560YA-HPB		QAHV-N560YA-HPB-BS		Dwg. No.	Notes for the models	Revision info.
401	R61 021 239	Fuse	6.3A AC250V T	4	4			S423001H30		
402	R61 015 293	Noise filter	30PYTST4C7-1	1	1			KE80C155G05		
403	R61 007 246	Terminal block	HP-T3011A105PL2S	1	1			S436005H12		
404	R61 001 234	Resistor	MFS40A220KI	2	2			P411151X01		
405	R11 002 782	Terminal block	3P	1	1			S436005H13		
406	R12 021 310	Sheet		1	1			KC00T948G01		
407	R61 012 259	Reactor	L 38A 1.92MH	1	1			P715441X02		
408	R61 001 255	Capacitor assy		1	1			KE00D263G01		
409	R61 003 216	Relay	AHE2231-K1	1	1			P421295X01		
410	R61 018 246	Short terminal relay		1	1			KE03D215H02		
411	R61 304 280	Fan inverter board assy	INVS12Y	1	1			W652171G18		
412	R61 240 280	Inverter board assy	INV20Y	1	1			KE80C154G14		
413	R12 032 937	Control board assy	CH11	1	1			KE80G195G03		
414	R61 005 239	Fuse	HT 3.15A N5	1	1			S423001H39		
415	R61 012 281	M-NET borad	PS-MNET-Y	1	1			KE80C055G03		

QAHV-N560YA-HPB
QAHV-N560YA-HPB-BS

CONTROL BOX PARTS (SUB BOX)



No.	Part No.	Part Name	Spec.	QAHV-N560YA-HPB		QAHV-N560YA-HPB-BS		Dwg. No.	Notes for the models	Revision info.
501	R63 124 280	Power board assy	3A	1	1			KE80C349G03		
502	R63 007 964	Fuse	FIH250V6.3A M-BL	1	1			YE81D827H01		
503	R63 M80 280	Relay board assy	RELAY4-8	1	1			W629542G01		
504	R63 365 782	Terminal block	12P	2	2			P436134X01		
505	R12 001 587	Terminal block	HP-T3020-31-2P-L2	1	1			P436242X01		Chg.
506	R63 954 951	Terminal block	6P	2	2			P436232X01		

mitsubishi
electric
corporation

BWE01615E (20240430)