

SERVICE PARTS LIST FOR MITSUBISHI ELECTRIC PACKAGED AIR-CONDITIONERS

Series : PURY-M•YNW-A1(-BS)

For use with the R32

REVISED

July 2020

BWE01828B

INDEX

PURY-M200YNW-A1(-BS)

PURY-M250YNW-A1(-BS)

PURY-M300YNW-A1(-BS)

PURY-M350YNW-A1(-BS)

PURY-M400YNW-A1(-BS)

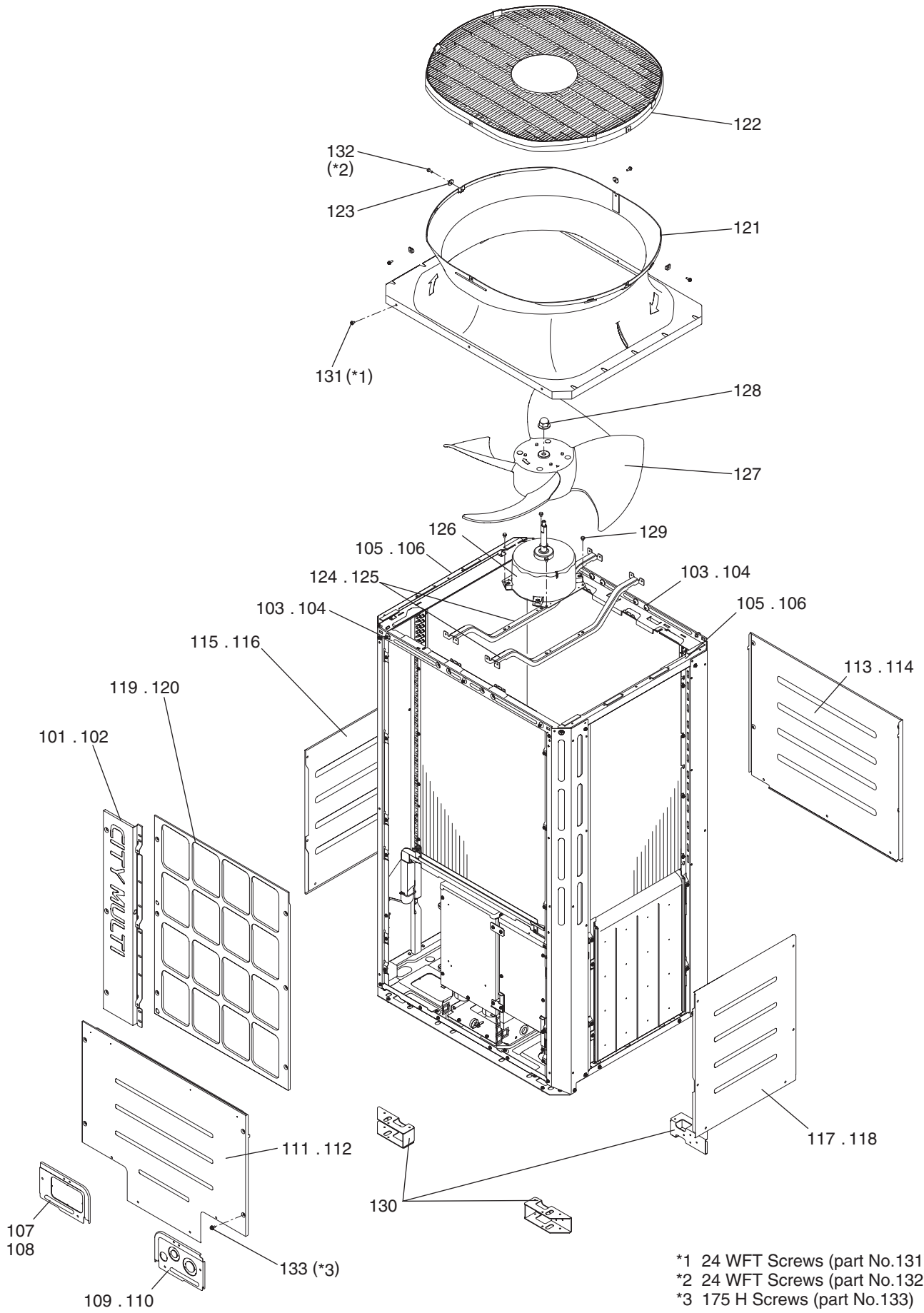
PURY-M450YNW-A1(-BS)

PURY-M500YNW-A1(-BS)

Part information update day : 2020/07/22

Please change the old catalog (issued Mar. 2020, No.BWE01828A) to this new catalog.
Content of revision : Some of parts are changed.



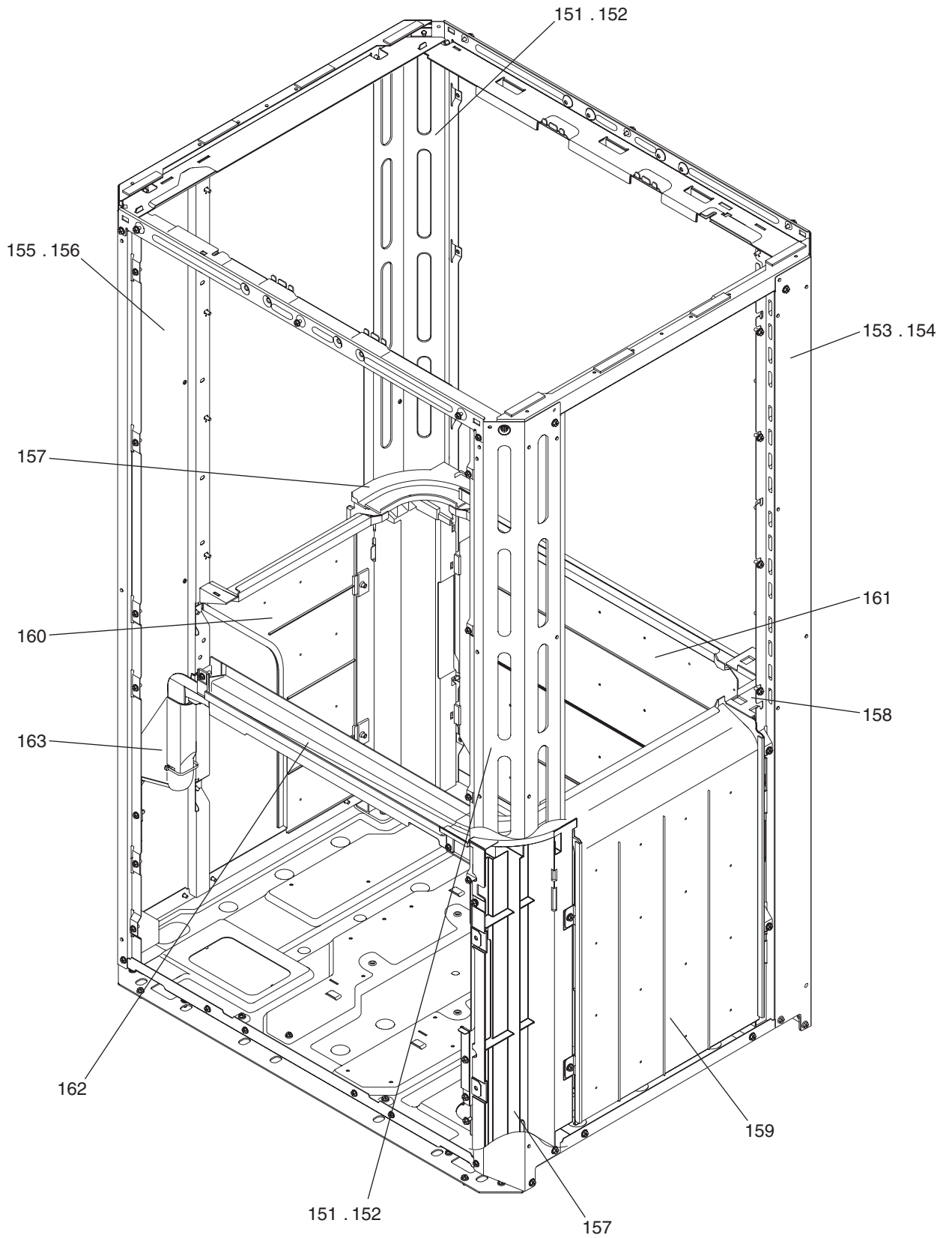


- *1 24 WFT Screws (part No.131)
- *2 24 WFT Screws (part No.132)
- *3 175 H Screws (part No.133)

PURY-M200,M250,M300YNW-A1
 PURY-M200,M250,M300YNW-A1-BS

EXTERNAL PARTS & BLOWER PARTS (1-1)

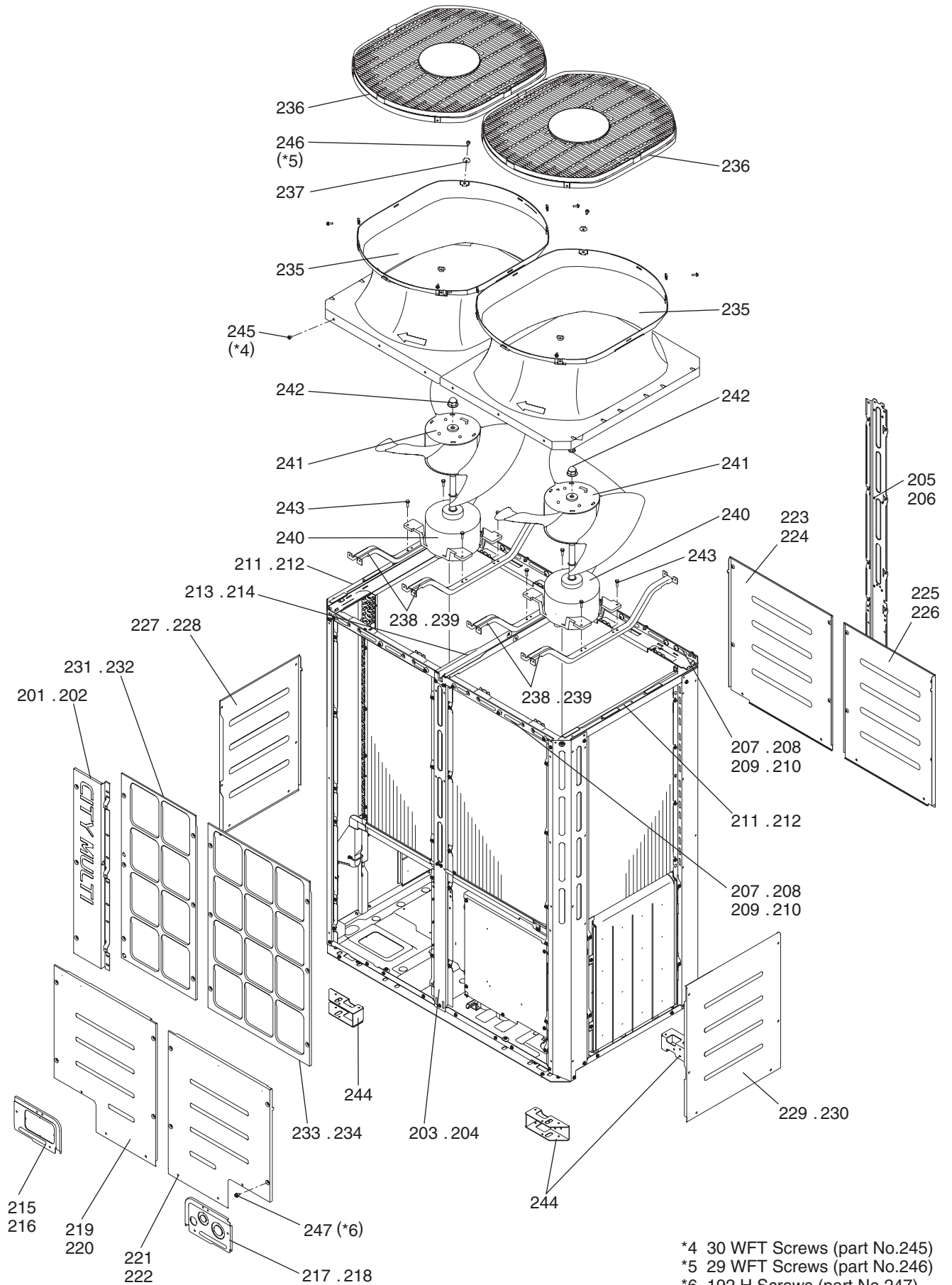
No.	Part No.	Part Name	Spec.	PURY-M200YNW-A1	PURY-M250YNW-A1-BS	PURY-M250YNW-A1	PURY-M250YNW-A1-BS	PURY-M300YNW-A1	PURY-M300YNW-A1-BS	Dwg. No.	Notes for the models	Revision info.
101	R61 043 626	Pillar LF2		1		1		1		KJ00F066G09		
102	R61 044 626	Pillar LF2	BS		1		1		1	KJ00F066G10		
103	R61 130 162	Frame assy FB		2		2		2		KL00G707G03		
104	R61 131 162	Frame assy FB	BS		2		2		2	KL00G707G04		
105	R61 132 162	Frame assy LR		2		2		2		KS00L332G11		
106	R61 133 162	Frame assy LR	BS		2		2		2	KS00L332G12		
107	R61 218 690	Piping cover		1		1		1		KJ00F069G05		
108	R61 219 690	Piping cover	BS		1		1		1	KJ00F069G06		
109	R61 220 690	Wiring cover		1		1		1		KJ00F070G05		
110	R61 221 690	Wiring cover	BS		1		1		1	KJ00F070G06		
111	R61 379 651	Panel F		1		1		1		KS00L334G07		
112	R61 380 651	Panel F	BS		1		1		1	KS00L334G08		
113	R61 381 651	Panel B		1		1		1		KD02B671H02		
114	R61 382 651	Panel B	BS		1		1		1	KS00R821G01		
115	R61 383 651	Panel L		1		1		1		KS02R320H02		
116	R61 384 651	Panel L	BS		1		1		1	KS00R822G01		
117	R61 385 651	Panel R		1		1		1		KS02R321H02		
118	R61 386 651	Panel R	BS		1		1		1	KS00R823G01		
119	R61 018 611	Fin guard		1		1		1		KD02B848H02		
120	R61 019 611	Fin guard	BS		1		1		1	KS00T209G02		
121	R61 004 119	Bell mouth		1	1	1	1	1	1	KB25A368G01		
122	R11 003 009	Fan guard		1	1	1	1	1	1	KB25V019G01		
123	R61 009 669	Plate fanguard		4	4	4	4	4	4	KD02D205H02		
124	R61 040 140	Base fan		2		2		2		KS02B161H01		
125	R61 041 140	Base fan	BS		2		2		2	KS02B161G01		
126	R61 349 220	Motor	DC920 Y	1	1	1	1	1	1	KMM00001B15		
127	R61 047 114	Fan	700D	1	1	1	1	1	1	KB25A993H02		
128	R63 4H6 122	Box nut	M12 CH	1	1	1	1	1	1	P552000X01		
129	R63 014 087	Upset screw	M6 x 10	4	4	4	4	4	4	P516047X01		
130	R61 042 130	Attachment leg		4	4	4	4	4	4	KJ00F064G02		
131	R63 006 087	WFT screw	M5 x 12(30pcs)	1	1	1	1	1	1	KB00H418G01	*1	
132	R63 029 087	WFT screw	M5 x 16(10pcs)	3	3	3	3	3	3	KD00H026G01	*2	
133	R61 048 087	H screw	M5 x 10 KNURLED(30pcs)	6	6	6	6	6	6	KB00H418G14	*3	



PURY-M200,M250,M300YNW-A1
PURY-M200,M250,M300YNW-A1-BS

EXTERNAL PARTS & BLOWER PARTS (1-2)

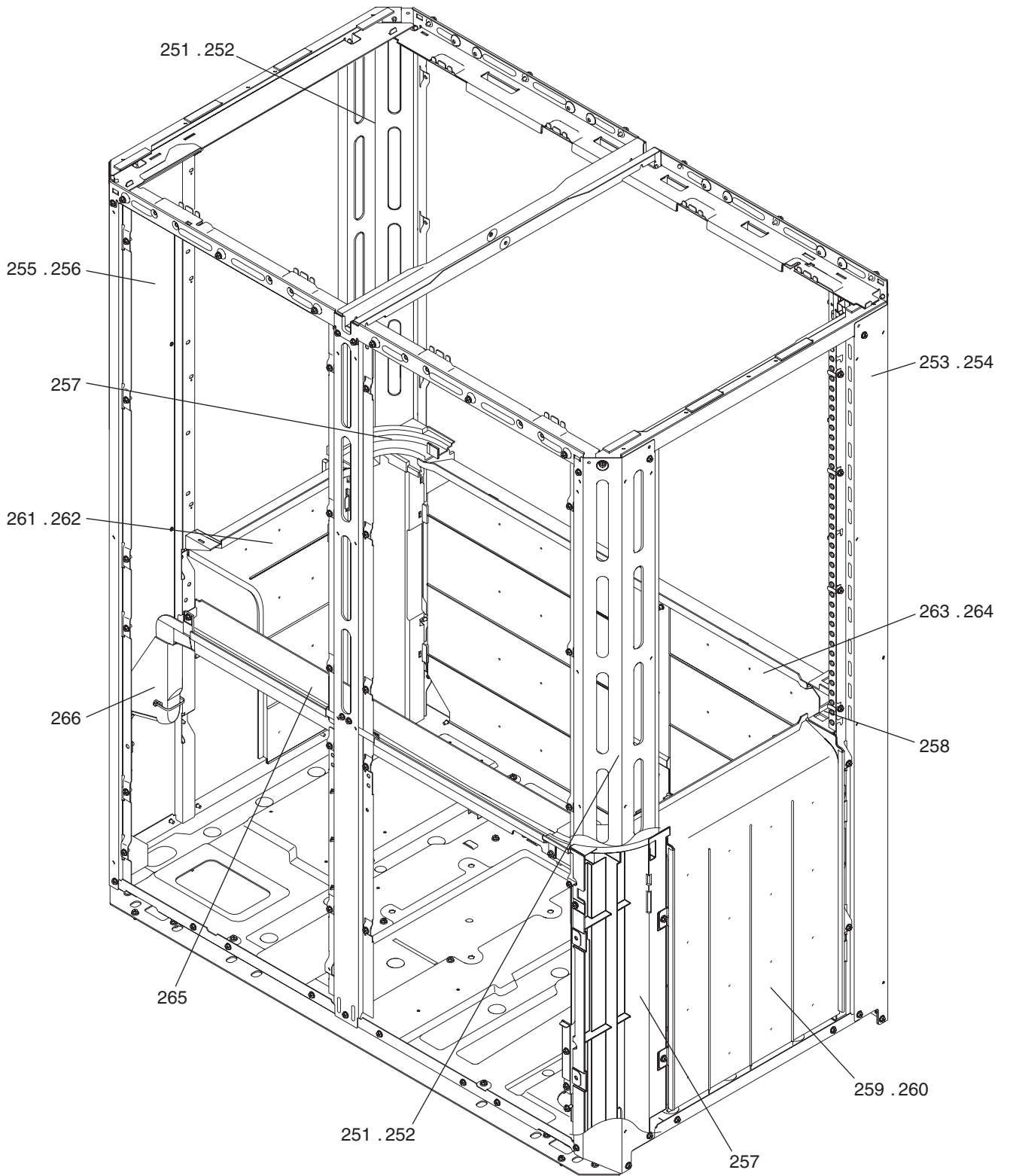
No.	Part No.	Part Name	Spec.	PURY-M200YNW-A1	PURY-M200YNW-A1-BS	PURY-M250YNW-A1	PURY-M250YNW-A1-BS	PURY-M300YNW-A1	PURY-M300YNW-A1-BS	Dwg. No.	Notes for the models	Revision info.
151	R61 045 626	Pillar RF		2		2		2		KS00L323G09		
152	R61 046 626	Pillar RF	BS		2	2		2		KS00L323G10		
153	R61 067 626	Pillar RB		1		1		1		KS00L324G13		
154	R61 068 626	Pillar RB	BS		1	1		1		KS00L324G14		
155	R61 078 626	Pillar LF1		1		1		1		KS00L325G13		Chg.
156	R61 079 626	Pillar LF1	BS		1	1		1		KS00L325G14		Chg.
157	R61 007 670	Support HEX assy 1		2	2	2	2	2	2	KS00L613G03		
158	R61 008 670	Support HEX assy 2		1	1	1	1	1	1	KS00L614G03		
159	R61 387 651	Inner panel assy R		1	1	1	1	1	1	KS00R845G09		
160	R61 388 651	Inner panel assy L		1	1	1	1	1	1	KS00L615G12		
161	R61 389 651	Inner panel assy B		1	1	1	1	1	1	KS00R846G13		
162	R61 194 529	Drain pan assy F		1	1	1	1	1	1	KS00D208G01		
163	R61 222 690	DEF cover assy		1	1	1	1	1	1	KS00L612G06		



PURY-M350,M400,M450YNW-A1
PURY-M350,M400,M450YNW-A1-BS

EXTERNAL PARTS & BLOWER PARTS (2-1)

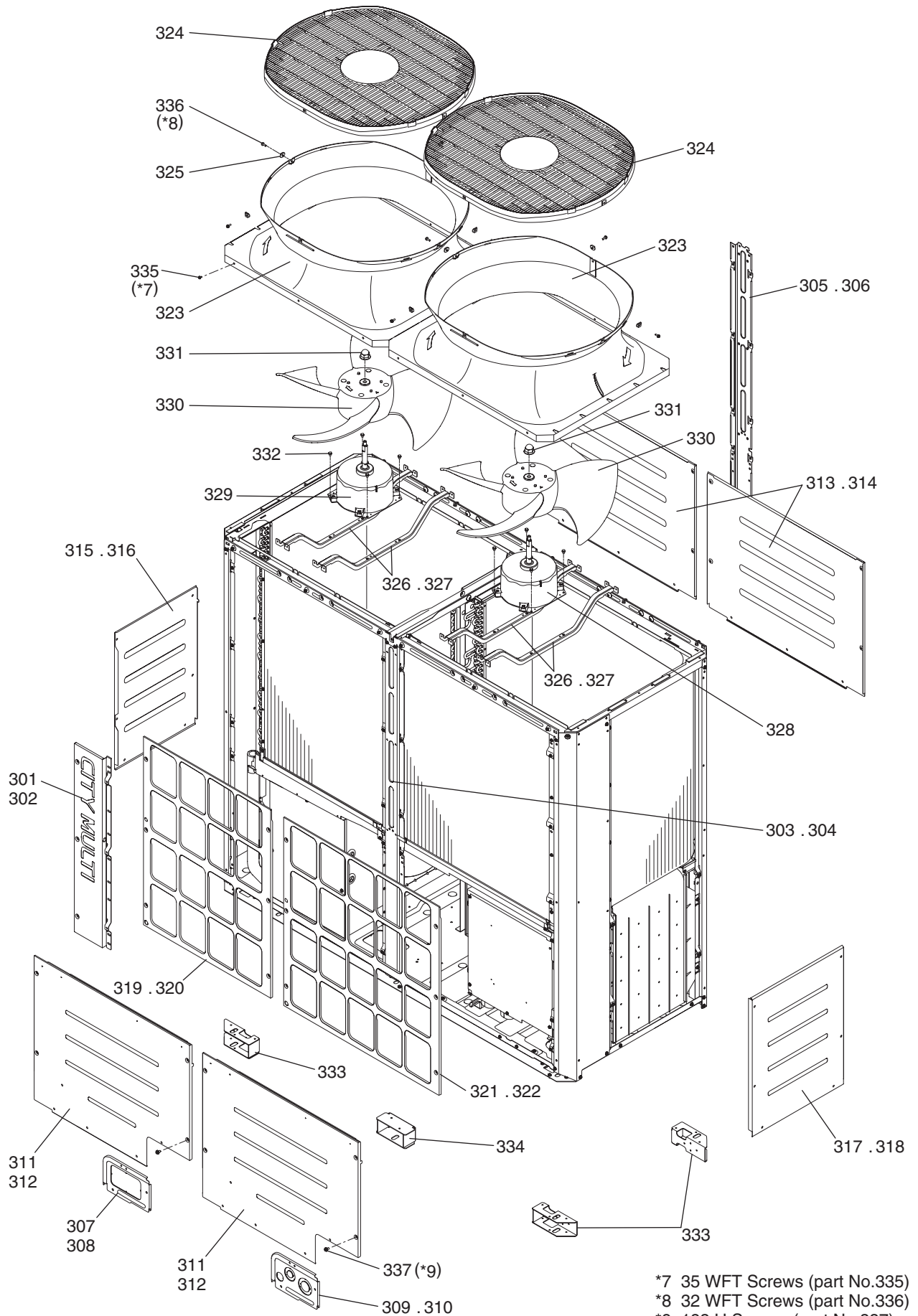
No.	Part No.	Part Name	Spec.	PURY-M350YNW-A1	PURY-M350YNW-A1-BS	PURY-M400YNW-A1	PURY-M400YNW-A1-BS	PURY-M450YNW-A1	PURY-M450YNW-A1-BS	Dwg. No.	Notes for the models	Revision info.
201	R61 043 626	Pillar LF2		1		1		1		KJ00F066G09		
202	R61 044 626	Pillar LF2	BS		1		1		1	KJ00F066G10		
203	R61 070 626	Pillar assy C		1		1		1		KS00L326G13		Chg.
204	R61 052 626	Pillar assy C	BS		1		1		1	KS00L326G12		
205	R61 053 626	Pillar C		1		1		1		KS00L327G11		
206	R61 054 626	Pillar C	BS		1		1		1	KS00L327G12		
207	R61 134 162	Frame assy FB		2		2				KL00G709G03		
208	R61 135 162	Frame assy FB	BS		2		2			KL00G709G04		
209	R61 136 162	Frame assy FB 3L						2		KL00G717G03		
210	R61 137 162	Frame assy FB 3L	BS					2		KL00G717G04		
211	R61 132 162	Frame assy LR		2		2		2		KS00L332G11		
212	R61 133 162	Frame assy LR	BS		2		2		2	KS00L332G12		
213	R61 162 162	Frame assy C		1		1		1		KJ00K843G01		
214	R61 163 162	Frame assy C	BS		1		1		1	KJ00K843G02		
215	R61 218 690	Piping cover		1		1		1		KJ00F069G05		
216	R61 219 690	Piping cover	BS		1		1		1	KJ00F069G06		
217	R61 220 690	Wiring cover		1		1		1		KJ00F070G05		
218	R61 221 690	Wiring cover	BS		1		1		1	KJ00F070G06		
219	R61 390 651	Panel FL		1		1		1		KS00L335G07		
220	R61 391 651	Panel FL	BS		1		1		1	KS00L335G08		
221	R61 392 651	Panel FR		1		1		1		KS00L336G09		
222	R61 393 651	Panel FR	BS		1		1		1	KS00L336G10		
223	R61 394 651	Panel BL		1		1		1		KD02B680H02		
224	R61 395 651	Panel BL	BS		1		1		1	KS00R824G01		
225	R61 396 651	Panel BR		1		1		1		KD02B681H02		
226	R61 397 651	Panel BR	BS		1		1		1	KS00R825G01		
227	R61 383 651	Panel L		1		1		1		KS02R320H02		
228	R61 384 651	Panel L	BS		1		1		1	KS00R822G01		
229	R61 385 651	Panel R		1		1		1		KS02R321H02		
230	R61 386 651	Panel R	BS		1		1		1	KS00R823G01		
231	R61 020 611	Fin guard FL		1		1		1		KD02B849H02		
232	R61 021 611	Fin guard FL	BS		1		1		1	KS00T210G02		
233	R61 022 611	Fin guard FR		1		1		1		KD02B850H01		
234	R61 023 611	Fin guard FR	BS		1		1		1	KS00T211G01		
235	R61 016 119	Bell mouth		2	2	2	2	2	2	KB25Y025G02		
236	R61 019 118	Fan guard		2	2	2	2	2	2	KB25Y024G01		
237	R61 009 669	Plate fanguard		8	8	8	8	8	8	KD02D205H02		
238	R61 040 140	Base fan		4		4		4		KS02B161H01		
239	R61 041 140	Base fan	BS		4		4		4	KS02B161G01		
240	R61 351 220	Motor	LM-750-F4-1	2	2	2	2	2	2	P780354X02		
241	R61 048 114	Fan	550D	2	2	2	2	2	2	KB25A994H02		
242	R63 4H6 122	Box nut	M12 CH	2	2	2	2	2	2	P552000X01		
243	R61 028 087	Upset screw	M6 x 22	8	8	8	8	8	8	P516049X01		
244	R61 042 130	Attachment leg		4	4	4	4	4	4	KJ00F064G02		
245	R63 006 087	WFT screw	M5 x 12(30pcs)	1	1	1	1	1	1	KB00H418G01	*4	



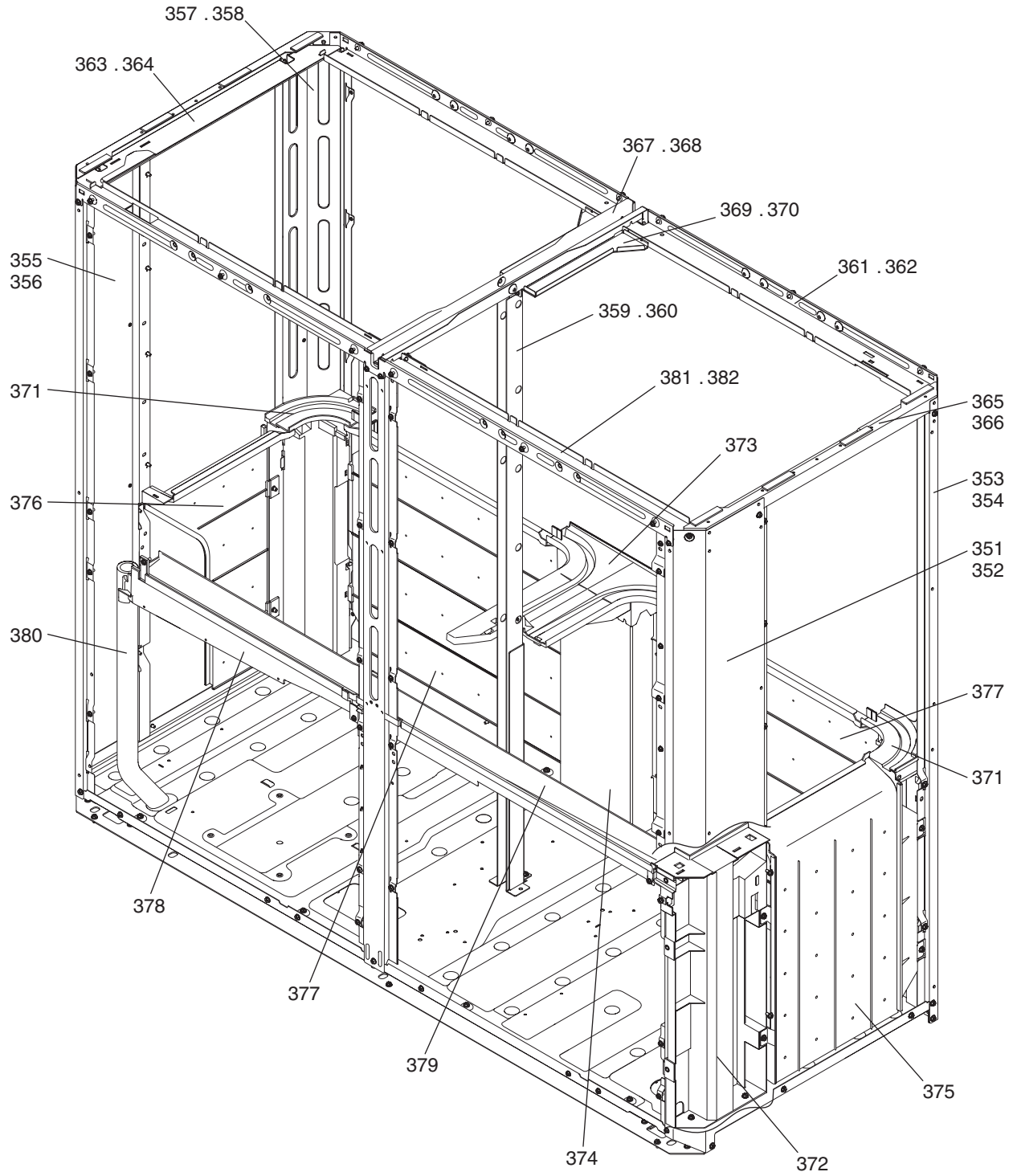
PURY-M350,M400,M450YNW-A1
PURY-M350,M400,M450YNW-A1-BS

EXTERNAL PARTS & BLOWER PARTS (2-2)

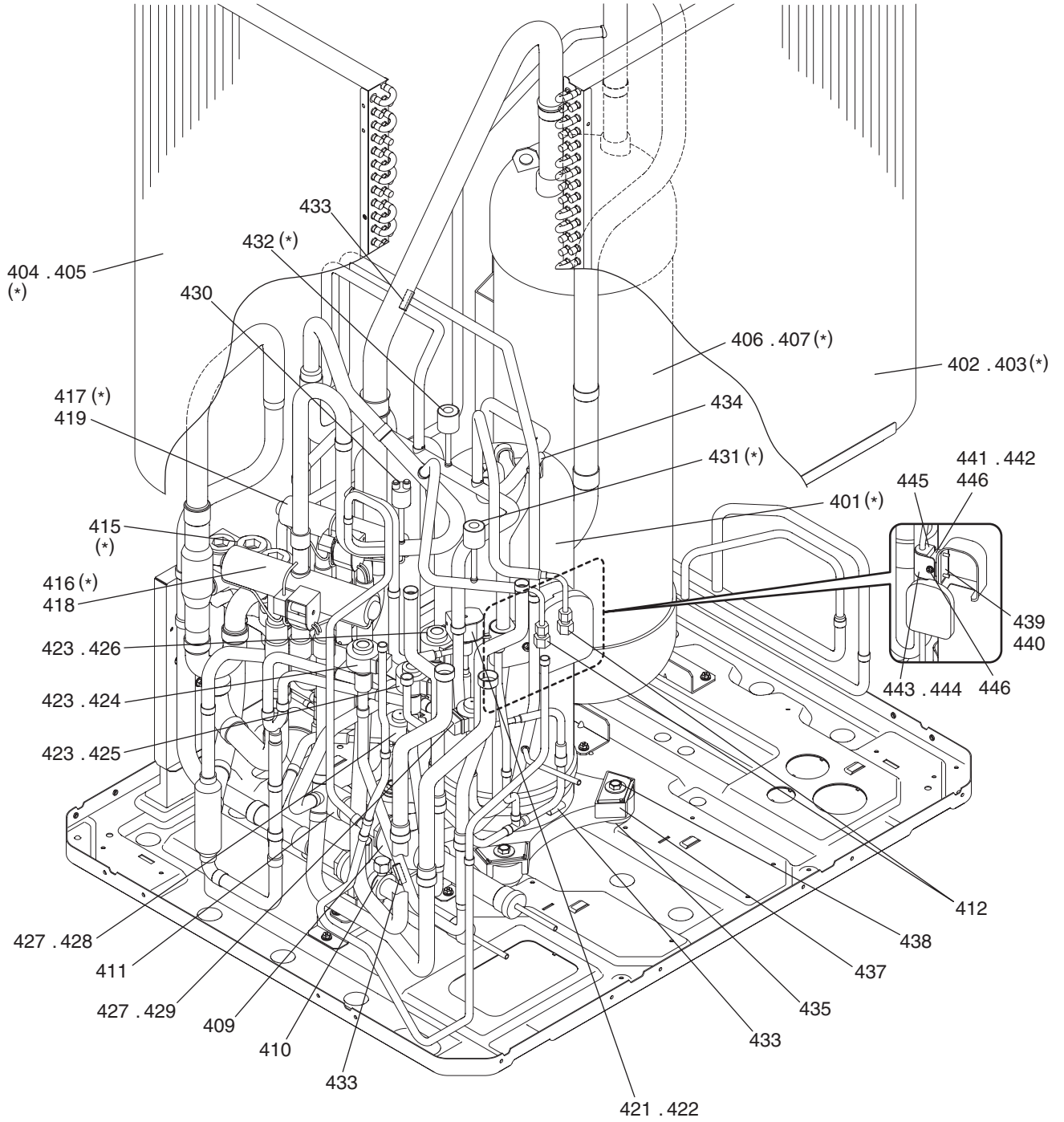
No.	Part No.	Part Name	Spec.	PURY-M350YNW-A1	PURY-M350YNW-A1-BS	PURY-M400YNW-A1	PURY-M400YNW-A1-BS	PURY-M450YNW-A1	PURY-M450YNW-A1-BS	Dwg. No.	Notes for the models	Revision info.
251	R61 045 626	Pillar RF		2		2		2		KS00L323G09		
252	R61 046 626	Pillar RF	BS			2		2		KS00L323G10		
253	R61 067 626	Pillar RB		1		1		1		KS00L324G13		
254	R61 068 626	Pillar RB	BS			1		1		KS00L324G14		
255	R61 078 626	Pillar LF1		1		1		1		KS00L325G13		Chg.
256	R61 079 626	Pillar LF1	BS			1		1		KS00L325G14		Chg.
257	R61 007 670	Support HEX assy 1		2	2	2	2	2	2	KS00L613G03		
258	R61 008 670	Support HEX assy 2		1	1	1	1	1	1	KS00L614G03		
259	R61 387 651	Inner panel assy R		1	1	1	1			KS00R845G09		
260	R61 398 651	Inner panel assy R						1	1	KS00R845G10		
261	R61 388 651	Inner panel assy L		1	1	1	1			KS00L615G12		
262	R61 400 651	Inner panel assy L						1	1	KS00L615G13		
263	R61 401 651	Inner panel assy B		1	1	1	1			KS00R847G13		
264	R61 402 651	Inner panel assy B						1	1	KS00R847G14		
265	R61 195 529	Drain pan assy FR		1	1	1	1	1	1	KS00D188G05		
266	R61 222 690	DEF cover assy		1	1	1	1	1	1	KS00L612G06		



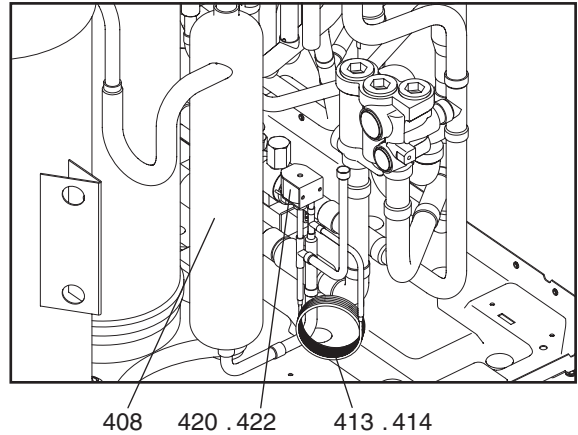
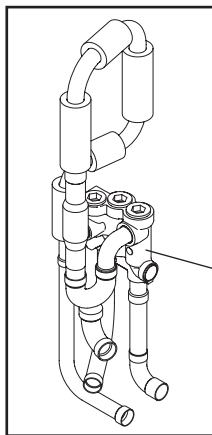
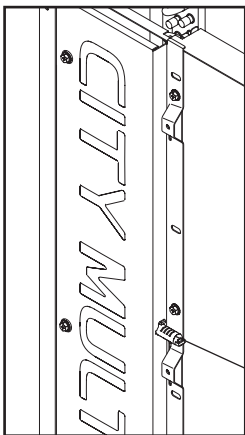
No.	Part No.	Part Name	Spec.	PURY-M500YNW-A1	PURY-M500YNW-A1-BS					Dwg. No.	Notes for the models	Revision info.
301	R61 043 626	Pillar LF2		1						KJ00F066G09		
302	R61 044 626	Pillar LF2	BS	1						KJ00F066G10		
303	R61 070 626	Pillar assy C		1						KS00L326G13		Chg.
304	R61 052 626	Pillar assy C	BS	1						KS00L326G12		
305	R61 053 626	Pillar C		1						KS00L327G11		
306	R61 054 626	Pillar C	BS	1						KS00L327G12		
307	R61 223 690	Piping cover		1						KJ00F431G03		
308	R61 224 690	Piping cover	BS	1						KJ00F431G04		
309	R61 220 690	Wiring cover		1						KJ00F070G05		
310	R61 221 690	Wiring cover	BS	1						KJ00F070G06		
311	R61 403 651	Panel F		2						KS00R550G07		
312	R61 406 651	Panel F	BS	2						KS00R550G08		
313	R61 407 651	Panel B		2						KD02B773H01		
314	R61 408 651	Panel B	BS	2						KS00R841G01		
315	R61 383 651	Panel L		1						KS02R320H02		
316	R61 384 651	Panel L	BS	1						KS00R822G01		
317	R61 409 651	Panel R		1						KD02B774H01		
318	R61 410 651	Panel R	BS	1						KS00R842G01		
319	R61 018 611	Fin guard		1						KD02B848H02		
320	R61 019 611	Fin guard	BS	1						KS00T209G02		
321	R61 024 611	Fin guard		1						KD02B851H02		
322	R61 025 611	Fin guard	BS	1						KS00T212G02		
323	R61 005 119	Bell mouth		2	2					KB25A367G01		
324	R11 003 009	Fan guard		2	2					KB25V019G01		
325	R61 009 669	Plate fanguard		8	8					KD02D205H02		
326	R61 040 140	Base fan		4						KS02B161H01		
327	R61 041 140	Base fan	BS	4						KS02B161G01		
328	R61 349 220	Motor	DC920 Y (RIGHT)	1	1					KMM00001B15		
329	R61 353 220	Motor	DC920 Y (LEFT)	1	1					KMM00001B16		
330	R61 047 114	Fan	700D	2	2					KB25A993H02		
331	R63 4H6 122	Box nut	M12 CH	2	2					P552000X01		
332	R63 014 087	Upset screw	M6 x 10	8	8					P516047X01		
333	R61 042 130	Attachment leg		4	4					KJ00F064G02		
334	R61 025 130	Attachment leg		2	2					KD02T774G01		
335	R63 006 087	WFT screw	M5 x 12(30pcs)	2	2					KB00H418G01	*7	
336	R63 029 087	WFT screw	M5 x 16(10pcs)	4	4					KD00H026G01	*8	
337	R61 048 087	H screw	M5 x 10 KNURLED(30pcs)	7	7					KB00H418G14	*9	



No.	Part No.	Part Name	Spec.	PURY-M500YNW-A1	PURY-M500YNW-A1-BS						Dwg. No.	Notes for the models	Revision info.
351	R61 055 626	Pillar RF		1							KS00R542G09		
352	R61 056 626	Pillar RF	BS		1						KS00R542G10		
353	R61 057 626	Pillar RB		1							KS00R543G05		
354	R61 058 626	Pillar RB	BS		1						KS00R543G06		
355	R61 078 626	Pillar LF1		1							KS00L325G13		Chg.
356	R61 079 626	Pillar LF1	BS		1						KS00L325G14		Chg.
357	R61 045 626	Pillar RF		1							KS00L323G09		
358	R61 046 626	Pillar RF	BS		1						KS00L323G10		
359	R61 061 626	Pillar assy M		1							KL00G138G03		
360	R61 062 626	Pillar assy M	BS		1						KS00R664G07		
361	R61 140 162	Frame assy FB		1							KL00G722G03		
362	R61 141 162	Frame assy FB	BS		1						KL00G722G04		
363	R61 132 162	Frame assy LR		1							KS00L332G11		
364	R61 133 162	Frame assy LR	BS		1						KS00L332G12		
365	R61 142 162	Frame assy R		1							KS00R546G07		
366	R61 143 162	Frame assy R	BS		1						KS00R546G08		
367	R61 162 162	Frame assy C		1							KJ00K843G01		
368	R61 163 162	Frame assy C	BS		1						KJ00K843G02		
369	R61 022 642	Plate top assy		1							KS00R548G11		
370	R61 023 642	Plate top assy	BS		1						KS00R548G12		
371	R61 007 670	Support HEX assy 1		2	2						KS00L613G03		
372	R61 009 670	Support HEX assy 2		1	1						KS00R553G03		
373	R61 010 670	Support HEX assy MBT		1	1						KB25Y194H01		
374	R61 011 670	Support HEX assy MBB		1	1						KL00C299G04		
375	R61 411 651	Inner panel assy R		1	1						KS00T452G11		
376	R61 388 651	Inner panel assy L		1	1						KS00L615G12		
377	R61 412 651	Inner panel assy B		2	2						KS00T453G11		
378	R61 196 529	Drain pan front L		1	1						KB25Y192H01		
379	R61 197 529	Drain pan assy FR		1	1						KB00C0YSG01		
380	R61 225 690	DEF cover		1	1						KL33C263G03		
381	R61 144 162	Frame assy F		1							KL00G729G03		
382	R61 145 162	Frame assy F	BS		1						KL00G729G04		



* with instructions

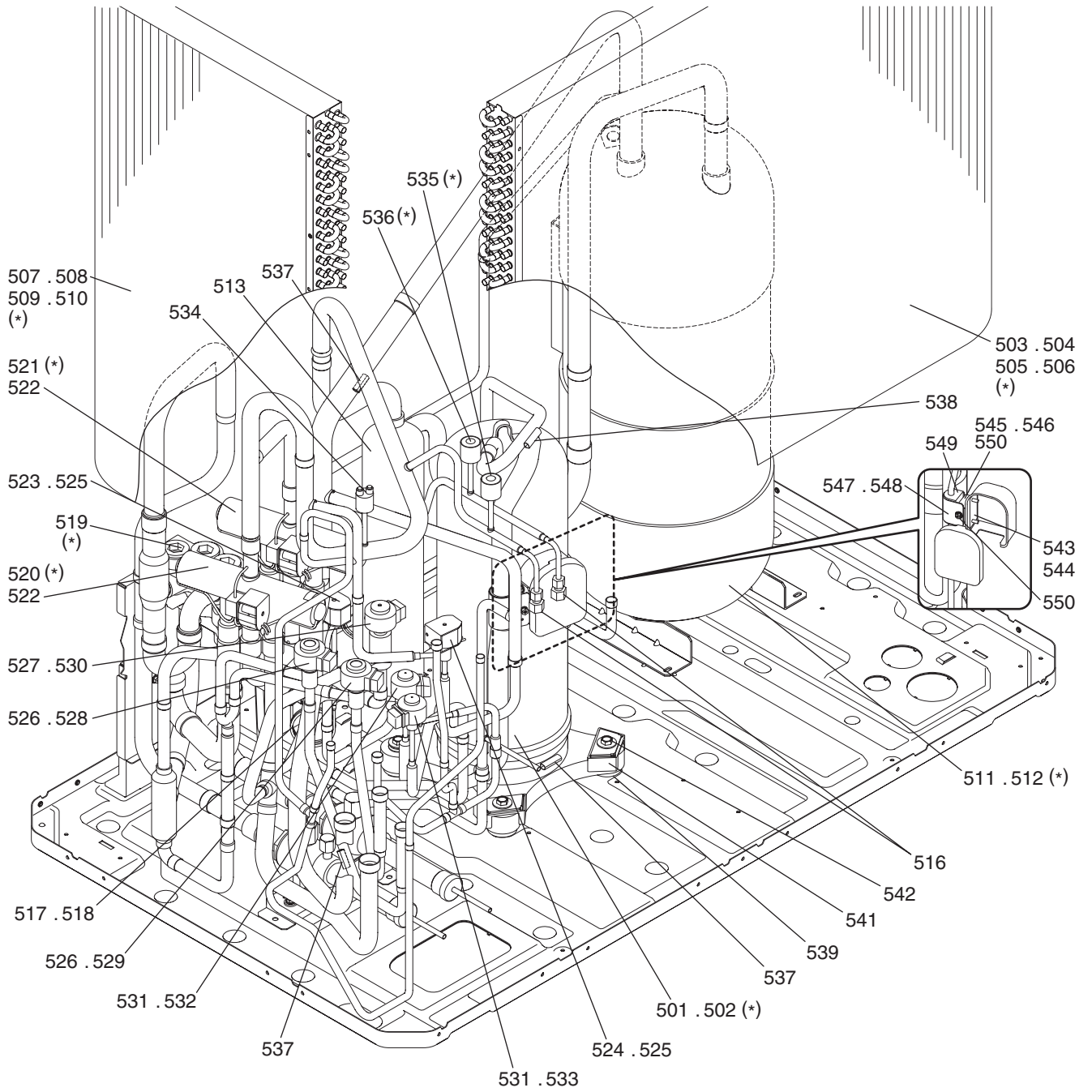


PURY-M200,M250,M300YNW-A1
PURY-M200,M250,M300YNW-A1-BS

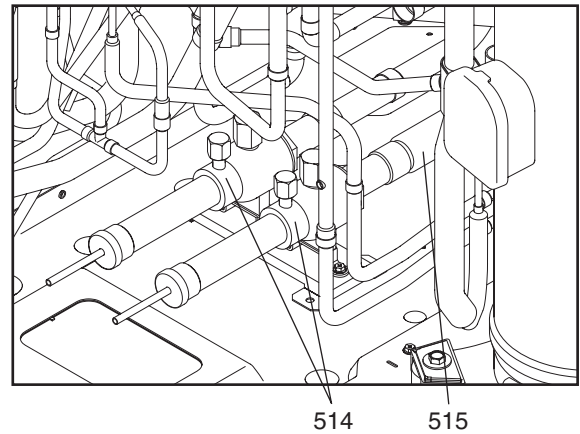
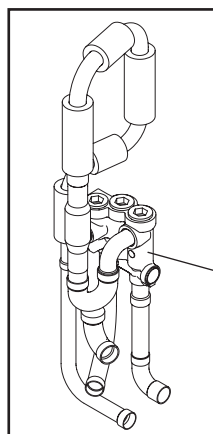
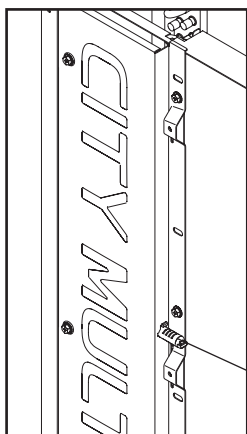
FUNCTIONAL PARTS (1)

No.	Part No.	Part Name	Spec.	PURY-M200YNW-A1	PURY-M250YNW-A1-BS	PURY-M250YNW-A1	PURY-M250YNW-A1-BS	PURY-M300YNW-A1	PURY-M300YNW-A1-BS	Dwg. No.	Notes for the models	Revision info.
401	R69 194 478	Scroll compressor SP kit	HVK68FA-YE	1	1	1	1	1	1	EP10172B01	*	
402	R61 G47 480	Heat exchanger SP kit	2L F	1		1		1		KJ00K921G03	*	
403	R61 G54 480	Heat exchanger SP kit	2L F BS		1		1		1	KJ00K921G04	*	
404	R61 G55 480	Heat exchanger SP kit	2L R	1		1		1		KJ00K922G03	*	
405	R61 G57 480	Heat exchanger SP kit	2L R BS		1		1		1	KJ00K922G04	*	
406	R61 182 484	Accumulator assy SP kit		1		1		1		KS00D242G32	*	
407	R61 151 484	Accumulator assy SP kit	BS		1		1		1	KS00D242G08	*	
408	R61 063 487	Oil separator assy		1	1	1	1	1	1	KB00C00NG01		
409	R61 019 410	Ball valve	SBV10-005	1	1	1	1	1	1	P636404X01	<BV1>	
410	R61 020 410	Valve	SBV07-005	1	1	1	1	1	1	P636405X01	<BV2>	
411	R61 015 454	Strainer	28.6D-25.4D	1	1	1	1	1	1	P641144X01	<ST1>	
412	R61 007 413	Check joint L	TCJ-2GME-5	2	2	2	2	2	2	KR50C388H01	<CJ1,CJ2>	
413	R63 002 425	Capillary tube assy		1	1	1	1			KB49F229G01	<CP1>	
414	R63 R34 425	Capillary tube assy						1	1	W905625G02	<CP1>	
415	R61 095 418	CV block SP kit		1	1	1	1	1	1	KS00D243G06	<CV BLOCK,CV5a>*	
416	R61 018 403	Four way valve A SP kit		1	1	1	1	1	1	KS00D244G01	<21S4a>*	
417	R61 019 403	Four way valve B SP kit		1	1	1	1	1	1	KS00D244G02	<21S4b>*	
418	R61 016 242	Four way valve coil	SQ-A2122G-005025-RK	1	1	1	1	1	1	P472115X02	<21S4a>	
419	R61 021 242	Four way valve coil	STF-H01AJ2355A1	1	1	1	1	1	1	P472118X01	<21S4b>	
420	R63 046 232	Solenoid valve	FDFA2A77	1	1	1	1	1	1	P631312X01	<SV1a>	
421	R13 018 921	Solenoid valve	FDFA4-016-RK	1	1	1	1	1	1	P631311X01	<SV2>	
422	R61 055 243	Solenoid valve coil	FQ-A0122G-0015724	2	2	2	2	2	2	P472116X01	<SV1a,SV2>	
423	R61 107 401	Linear expansion valve	PAM-BB0YGMD-2	3	3	3	3	3	3	KR50C486H01	<LEV2a,LEV2b,LEV2d>	
424	R61 108 401	Linear expansion valve coil	PAM-MD12MD-17	1	1	1	1	1	1	P472109X01	<LEV2a>	
425	R61 109 401	Linear expansion valve coil	PAM-MD12MD-18	1	1	1	1	1	1	P472110X01	<LEV2b>	
426	R61 110 401	Linear expansion valve coil	PAM-MD12MD-25	1	1	1	1	1	1	KR50C487H01	<LEV2d>	
427	R63 R34 401	Linear expansion valve	CAM-B35YGMD-2	2	2	2	2	2	2	P632416X01	<LEV4,LEV9>	
428	R61 120 401	Linear expansion valve coil	CAM-MD12MD-128	1	1	1	1	1	1	P472131X01	<LEV4>	
429	R61 111 401	Linear expansion valve coil	CAM-MD12MD-125	1	1	1	1	1	1	P472113X01	<LEV9>	
430	R61 052 208	Pressure switch	ACB-1UB179W	1	1	1	1	1	1	P426346X01	<63H>	
431	R61 137 288	Pressure sensor	NSK-BH042D-501	1	1	1	1	1	1	KB00H904G30	<63HS>*	
432	R61 097 288	Pressure sensor	NSK-BH017D-602	1	1	1	1	1	1	KB00H904G31	<63LS>*	
433	R61 280 200	Thermistor	PXM-41E-M105-01Y	4	4	4	4	4	4	P418144X01	<TH3,TH5,TH7,TH15>	
434	R61 294 200	Thermistor	PX2M-56D-M2	1	1	1	1	1	1	P418110X01	<TH4>	
435	R63 852 860	Rubber mount		4	4	4	4	4	4	W897574H01	For compressor	
436	R61 001 310	Sensor holder		1	1	1	1	1	1	KB25B471G02		
437	R61 027 155	Attachment (HH)		2	2	2	2	2	2	KJ00F713G04		
438	R61 009 306	Bolt	M6	4	4	4	4	4	4	KJ12F711H05		
439	R61 001 132	Attachment		1		1		1		KB02K008H01		
440	R61 002 132	Attachment	BS		1		1		1	KB02K008H02		
441	R61 005 609	Attach Saddle		1		1		1		KL00L214G03		
442	R61 006 609	Attach Saddle	BS		1		1		1	KL00L214G04		
443	R61 003 456	Saddle		1		1		1		KJ02K540H01		
444	R61 004 456	Saddle	BS		1		1		1	KJ02K540H02		
445	R11 934 905	Packing		2	2	2	2	2	2	W483653G03		

No.	Part No.	Part Name	Spec.	PURY-M200YNW-A1	PURY-M200YNW-A1-BS	PURY-M250YNW-A1	PURY-M250YNW-A1-BS	PURY-M300YNW-A1	PURY-M300YNW-A1-BS	Dwg. No.	Notes for the models	Revision info.
446	R61 010 087	Screw upset	M5 x 12	3	3	3	3	3	3	S516322H01		



* with instructions

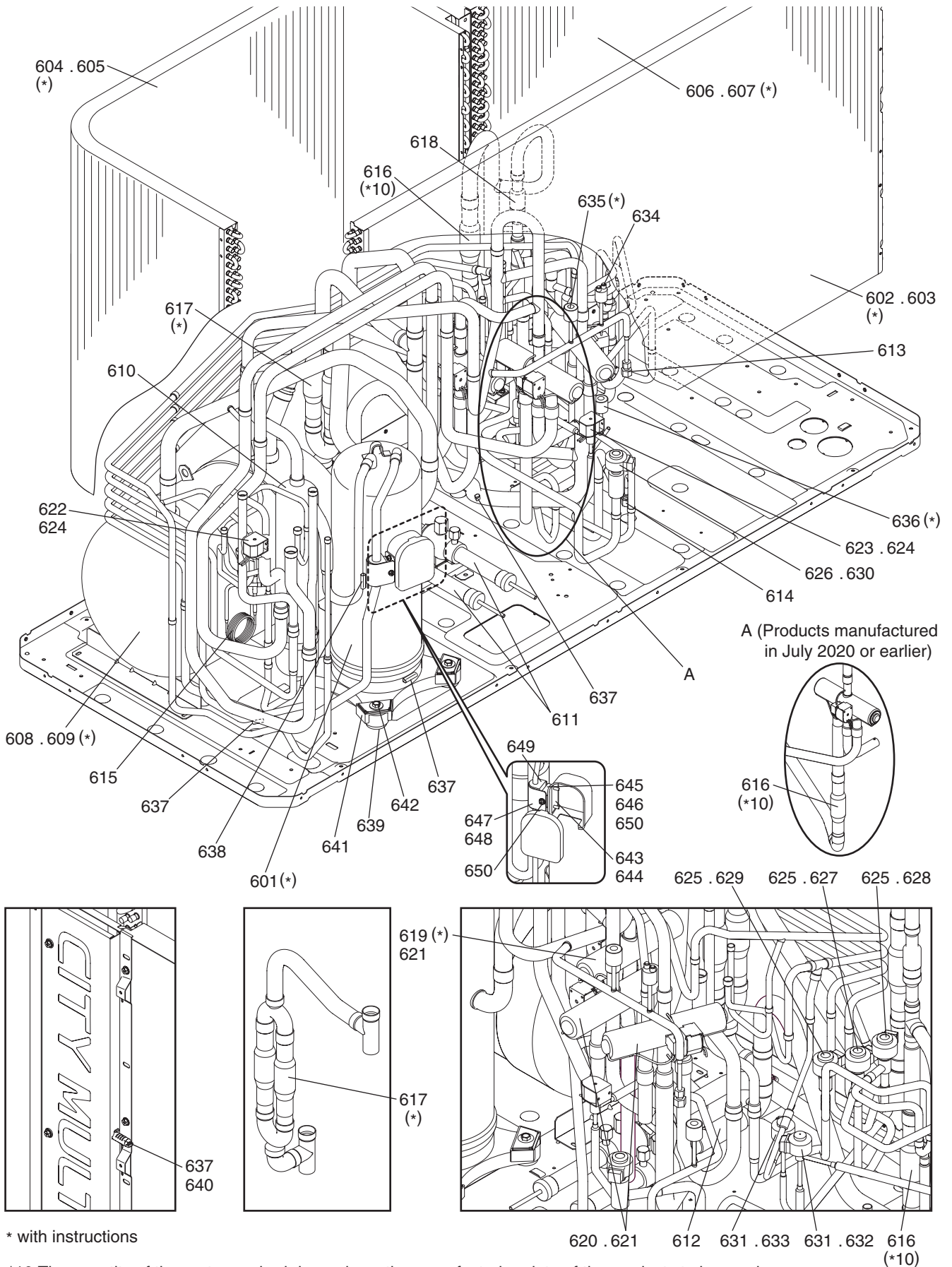


No.	Part No.	Part Name	Spec.	PURY-M350YNW-A1	PURY-M350YNW-A1-BS	PURY-M400YNW-A1	PURY-M400YNW-A1-BS	PURY-M450YNW-A1	PURY-M450YNW-A1-BS	Dwg. No.	Notes for the models	Revision info.
501	R69 194 478	Scroll compressor SP kit	HVK68FA-YE	1	1					EP10172B01	*	
502	R69 186 478	Scroll compressor SP kit	HVK97FA-YE			1	1	1	1	EP10179B01	*	
503	R61 G09 480	Heat exchanger SP kit	2L F	1		1				KJ00H791G01	*	
504	R61 H46 480	Heat exchanger SP kit	2L F BS		1		1			KJ00H791G02	*	
505	R61 G34 480	Heat exchanger SP kit	3L F					1		KJ00H793G01	*	
506	R61 H48 480	Heat exchanger SP kit	3L F BS						1	KJ00H793G02	*	
507	R61 G31 480	Heat exchanger SP kit	2L R	1		1				KJ00H792G01	*	
508	R61 H47 480	Heat exchanger SP kit	2L R BS		1		1			KJ00H792G02	*	
509	R61 G37 480	Heat exchanger SP kit	3L R					1		KJ00H794G01	*	
510	R61 H49 480	Heat exchanger SP kit	3L R BS						1	KJ00H794G02	*	
511	R61 188 484	Accumulator assy SP kit		1		1		1		KS00D242G38	*	
512	R61 189 484	Accumulator assy SP kit	BS		1		1		1	KS00D242G39	*	
513	R61 063 487	Oil separator assy		1	1	1	1	1	1	KB00C00NG01		
514	R61 019 410	Ball valve	SBV10-005	2	2	2	2	2	2	P636404X01	<BV1,BV2>	
515	R61 015 454	Strainer	28.6D-25.4D	1	1	1	1	1	1	P641144X01	<ST1>	
516	R61 007 413	Check joint L	TCJ-2GME-5	2	2	2	2	2	2	KR50C388H01	<CJ1,CJ2>	
517	R63 R34 425	Capillary tube assy		1	1					W905625G02	<CP1>	
518	R61 014 425	Capillary tube assy				1	1	1	1	KB49M503G01	<CP1>	
519	R61 096 418	CV block SP kit		1	1	1	1	1	1	KS00D243G07	<CV BLOCK,CV5a>*	
520	R61 020 403	Four way valve A SP kit		1	1	1	1	1	1	KS00D244G03	<21S4a>*	
521	R61 021 403	Four way valve B SP kit		1	1	1	1	1	1	KS00D244G04	<21S4b>*	
522	R61 016 242	Four way valve coil	SQ-A2122G-005025-RK	2	2	2	2	2	2	P472115X02	<21S4a,21S4b>	
523	R63 046 232	Solenoid valve	FDFA2A77	1	1	1	1	1	1	P631312X01	<SV1a>	
524	R13 018 921	Solenoid valve	FDFA4-016-RK	1	1	1	1	1	1	P631311X01	<SV2>	
525	R61 055 243	Solenoid valve coil	FQ-A0122G-0015724	2	2	2	2	2	2	P472116X01	<SV1a,SV2>	
526	R61 107 401	Linear expansion valve	PAM-BB0YGMD-2	2	2	2	2	2	2	KR50C486H01	<LEV2a,LEV2b>	
527	R61 112 401	Linear expansion valve	PDM-BD130MD-1	1	1	1	1	1	1	P632630X01	<LEV2d>	
528	R61 108 401	Linear expansion valve coil	PAM-MD12MD-17	1	1	1	1	1	1	P472109X01	<LEV2a>	
529	R61 109 401	Linear expansion valve coil	PAM-MD12MD-18	1	1	1	1	1	1	P472110X01	<LEV2b>	
530	R61 113 401	Linear expansion valve coil	PAM-MD12MD-20	1	1	1	1	1	1	P472112X01	<LEV2d>	
531	R63 R34 401	Linear expansion valve	CAM-B35YGMD-2	2	2	2	2	2	2	P632416X01	<LEV4,LEV9>	
532	R61 120 401	Linear expansion valve coil	CAM-MD12MD-128	1	1	1	1	1	1	P472131X01	<LEV4>	
533	R61 111 401	Linear expansion valve coil	CAM-MD12MD-125	1	1	1	1	1	1	P472113X01	<LEV9>	
534	R61 052 208	Pressure switch	ACB-1UB179W	1	1	1	1	1	1	P426346X01	<63H>	
535	R61 098 288	Pressure sensor	NSK-BH042D-501	1	1	1	1	1	1	KB00H904G32	<63HS>*	
536	R61 138 288	Pressure sensor	NSK-BH017D-602	1	1	1	1	1	1	KB00H904G33	<63LS>*	
537	R61 280 200	Thermistor	PXM-41E-M105-01Y	4	4	4	4	4	4	P418144X01	<TH3,TH5,TH7,TH15>	
538	R61 294 200	Thermistor	PX2M-56D-2M	1	1	1	1	1	1	P418110X01	<TH4>	
539	R63 852 860	Rubber mount		4	4	4	4	4	4	W897574H01	For compressor	
540	R61 001 310	Sensor holder		1	1	1	1	1	1	KB25B471G02		
541	R61 027 155	Attachment (HH)		2	2	2	2	2	2	KJ00F713G04		
542	R61 009 306	Bolt	M6	4	4	4	4	4	4	KJ12F711H05		
543	R61 001 132	Attachment		1		1		1		KB02K008H01		
544	R61 002 132	Attachment			1		1		1	KB02K008H02		
545	R61 005 609	Attachment Saddle		1		1		1		KL00L214G03		

No.	Part No.	Part Name	Spec.	PURY-M350YNW-A1	PURY-M350YNW-A1-BS	PURY-M400YNW-A1	PURY-M400YNW-A1-BS	PURY-M450YNW-A1	PURY-M450YNW-A1-BS	Dwg. No.	Notes for the models	Revision info.
546	R61 006 609	Attachment Saddle		1		1		1		KL00L214G04		
547	R61 003 456	Saddle		1		1		1		KJ02K540H01		
548	R61 004 456	Saddle				1		1		KJ02K540H02		
549	R11 934 905	Packing		2	2	2	2	2	2	W483653G03		
550	R61 010 087	Screw upset		3	3	3	3	3	3	S516322H01		

PURY-M500YNW-A1
 PURY-M500YNW-A1-BS

FUNCTIONAL PARTS (3)



* with instructions

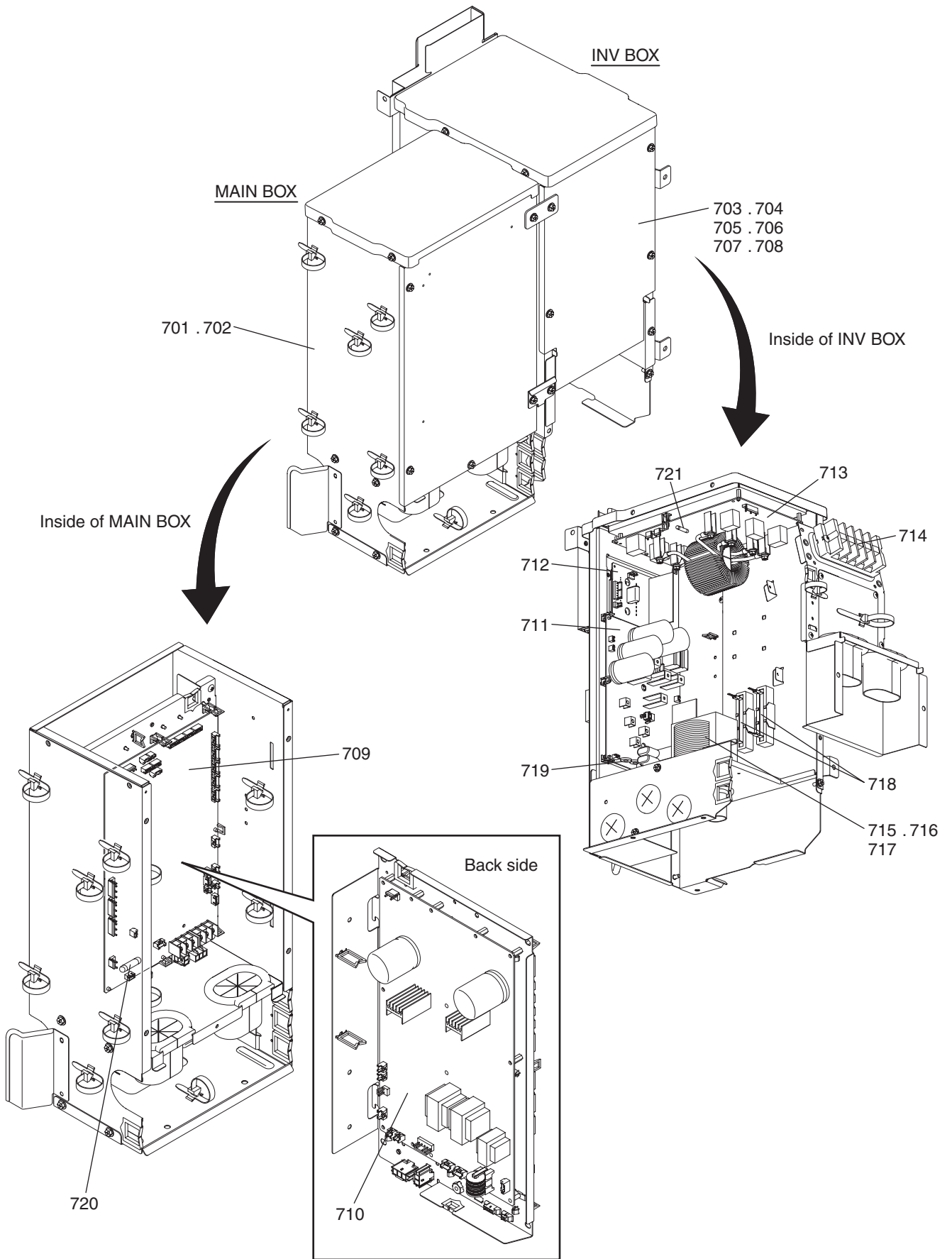
*10 The quantity of the parts required depends on the manufacturing date of the products to be used.

July 2020 or earlier (Serial numbers up to 07W****): 3 pieces

August 2020 or later (Serial numbers 08W**** or later): 2 pieces

No.	Part No.	Part Name	Spec.	PURY-M500YNW-A1	PURY-M500YNW-A1-BS					Dwg. No.	Notes for the models	Revision info.
601	R69 186 478	Scroll compressor	HVK97FA-YE	1	1					EP10179B01	*	
602	R61 G08 480	Heat exchanger SP kit	2L F	1						KJ00H795G01	*	
603	R61 H50 480	Heat exchanger SP kit	2L F BS		1					KJ00H795G02	*	
604	R61 G12 480	Heat exchanger SP kit	2L L	1						KJ00H796G01	*	
605	R61 H52 480	Heat exchanger SP kit	2L L BS		1					KJ00H796G02	*	
606	R61 G13 480	Heat exchanger SP kit	2L R	1						KJ00H797G01	*	
607	R61 K79 480	Heat exchanger SP kit	2L R BS		1					KJ00H797G02	*	
608	R61 190 484	Accumulator assy SP kit		1						KS00D242G40	*	
609	R61 191 484	Accumulator assy SP kit	BS		1					KS00D242G41	*	
610	R61 064 487	Oil separator assy		1	1					KL00R770G01		
611	R61 019 410	Ball valve	SBV10-005	2	2					P636404X01	<BV1,BV2>	
612	R61 016 454	Strainer	28.6D-28.8D	1	1					P641146X01	<ST1>	
613	R61 008 413	Check joint	TCJ-2GME-4	1	1					KR50C379H01	<CJ1>	
614	R63 R34 413	Check joint L	R410A	1	1					P666004X02	<CJ2>	
615	R63 R55 425	Capillary tube assy		1	1					W905191G02	<CP1>	
616	R61 097 418	Check valve	YBV-22Y9GMD-2	3	3					KJ01K905G01	<CV1b,CV3a,CV5a>*10	Chg.
617	R61 098 418	CV assy SP kit		1	1					KS00D243G09	<CV2a,CV2b>*	
618	R61 019 418	Check valve	UCV-A1507DQ4	1	1					P633135X01	<CV6a>	
619	R61 022 403	Four way valve A SP kit		1	1					KS00D244G05	<21S4a>*	
620	R61 013 403	Four way valve	STF-H0731	2	2					P633130X01	<21S4b,21S4c>	
621	R61 021 242	Four way valve coil	STF-H01AJ2355A1	3	3					P472118X01	<21S4a,21S4b,21S4c>	
622	R63 046 232	Solenoid valve	FDF2A77	1	1					P631312X01	<SV1a>	
623	R13 018 921	Solenoid valve	FDF4A-016-RK	1	1					P631311X01	<SV2>	
624	R61 055 243	Solenoid valve coil	FQ-A0122G-0015724	2	2					P472116X01	<SV1a,SV2>	
625	R61 107 401	Linear expansion valve	PAM-BB0YGMD-2	3	3					KR50C486H01	<LEV2a,LEV2b,LEV2c>	
626	R61 112 401	Linear expansion valve	PDM-BD130MD-1	1	1					P632630X01	<LEV2d>	
627	R61 108 401	Linear expansion valve coil	PAM-MD12MD-17	1	1					P472109X01	<LEV2a>	
628	R61 109 401	Linear expansion valve coil	PAM-MD12MD-18	1	1					P472110X01	<LEV2b>	
629	R61 114 401	Linear expansion valve coil	PAM-MD12MD-19	1	1					P472111X01	<LEV2c>	
630	R61 113 401	Linear expansion valve coil	PAM-MD12MD-20	1	1					P472112X01	<LEV2d>	
631	R63 R34 401	Linear expansion valve	CAM-B35YGMD-2	2	2					P632416X01	<LEV4,LEV9>	
632	R61 120 401	Linear expansion valve coil	CAM-MD12MD-128	1	1					P472131X01	<LEV4>	
633	R61 111 401	Linear expansion valve coil	CAM-MD12MD-125	1	1					P472113X01	<LEV9>	
634	R61 052 208	Pressure switch	ACB-1UB179W	1	1					P426346X01	<63H>	
635	R61 108 288	Pressure sensor	NSK-BH042D-501	1	1					KB00H904G36	<63HS>*	
636	R61 109 288	Pressure sensor	NSK-BH017D-602	1	1					KB00H904G37	<63LS>*	
637	R61 280 200	Thermistor	PXM-41E-M105-01Y	4	4					P418144X01	<TH3,TH5,TH7,TH15>	
638	R61 294 200	Thermistor	PX2M-56D-M2	1	1					P418110X01	<TH4>	
639	R63 852 860	Rubber mount		4	4					W897574H01	For compressor	
640	R61 001 310	Sensor holder		1	1					KB25B471G02		
641	R61 027 155	Attachment (HH)		4	4					KJ00F713G04		
642	R61 009 306	Bolt	M6	4	4					KJ12F711H05		
643	R61 001 132	Attachment		1						KB02K008H01		
644	R61 002 132	Attachment	BS		1					KB02K008H02		
645	R61 005 609	Attachment Saddle		1						KL00L214G03		

No.	Part No.	Part Name	Spec.	PURY-M500YNW-A1	PURY-M500YNW-A1-BS					Dwg. No.	Notes for the models	Revision info.
646	R61 006 609	Attachment Saddle	BS		1					KL00L214G04		
647	R61 003 456	Saddle		1						KJ02K540H01		
648	R61 004 456	Saddle	BS		1					KJ02K540H02		
649	R11 934 905	Packing		2	2					W483653G03		
650	R61 010 087	Screw upset	M5 x 12	3	3					S516322H01		

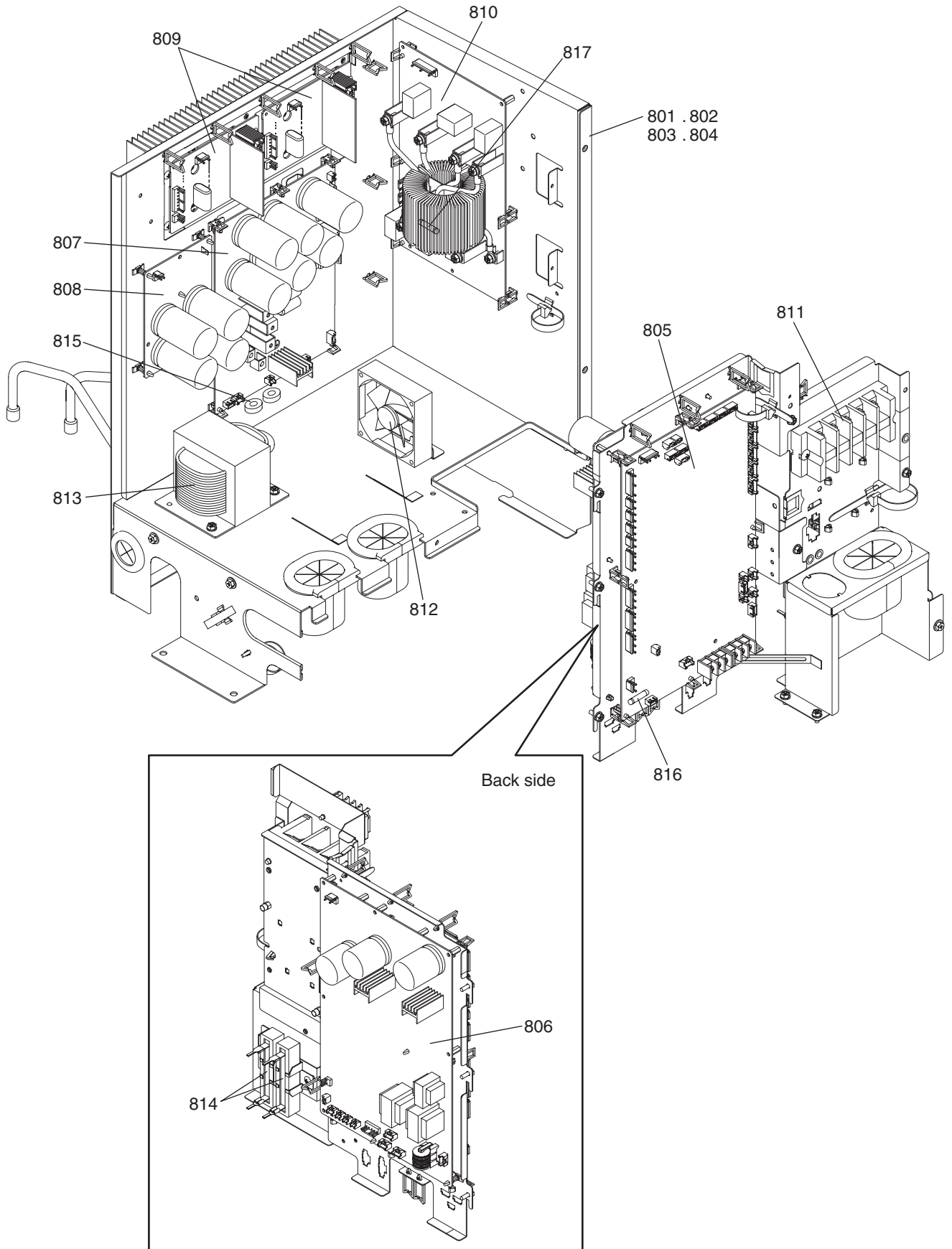


Notice: Consult your service agency when the wiring needs to be replaced.
 (Replacing wiring will take about 2 months.)

**PURY-M200,M250,M300YNW-A1
PURY-M200,M250,M300YNW-A1-BS**

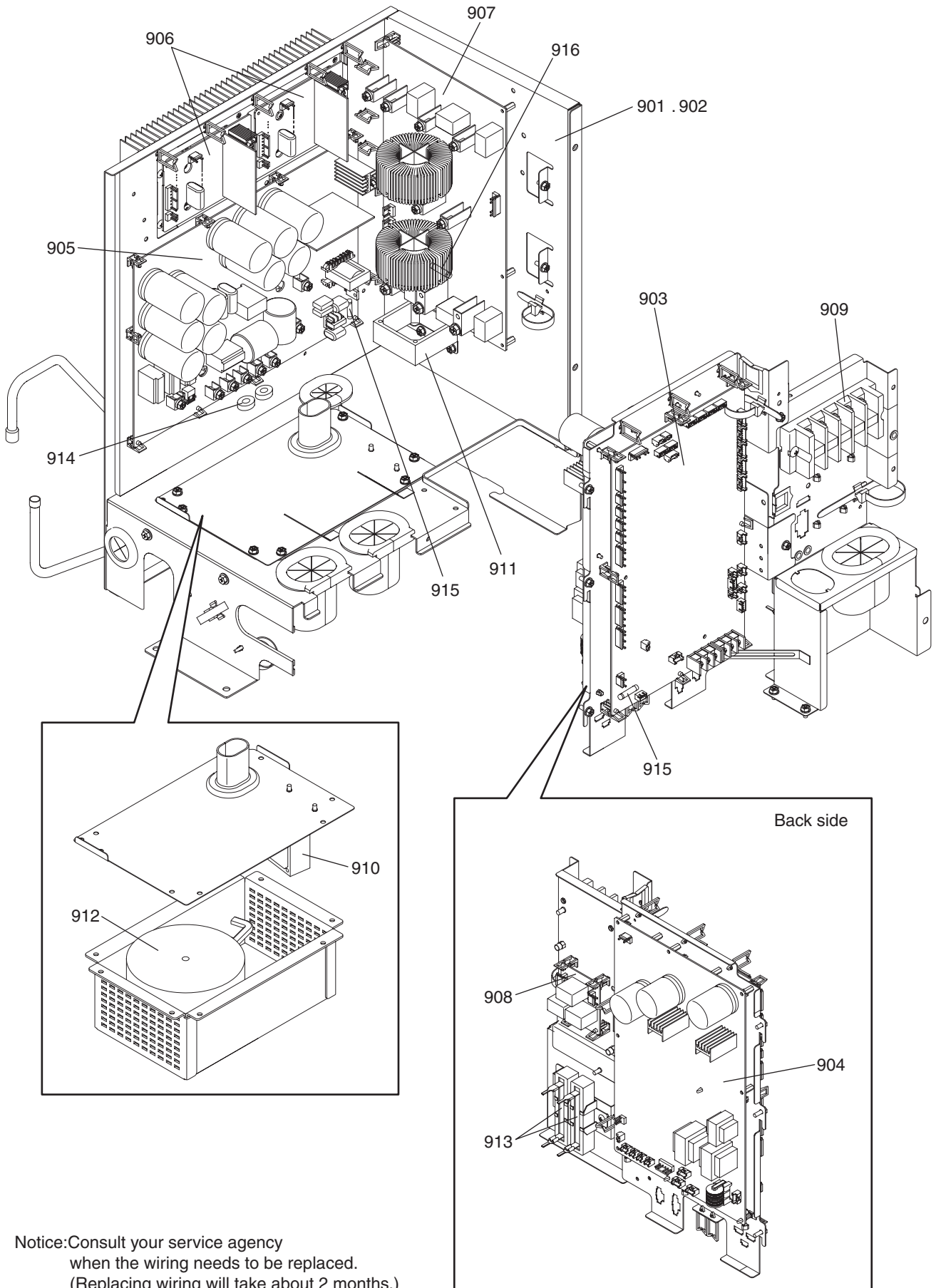
CONTROL BOX PARTS (1)

No.	Part No.	Part Name	Spec.	PURY-M200YNW-A1	PURY-M200YNW-A1-BS	PURY-M250YNW-A1	PURY-M250YNW-A1-BS	PURY-M300YNW-A1	PURY-M300YNW-A1-BS	Dwg. No.	Notes for the models	Revision info.
				1	1	1	1	1	1			
701	R61 A29 305	Control box	R-M200/250/300	1		1				KE00J169G27	<MAIN BOX>	
702	R61 A30 305	Control box	R-M200/250/300 BS		1		1			KE00J169G28	<MAIN BOX>	
703	R61 A31 305	Control box	R-M200	1						KE00J170G25	<INV BOX>	
704	R61 A32 305	Control box	R-M200 BS		1					KE00J170G26	<INV BOX>	
705	R61 A33 305	Control box	R-M250			1				KE00J170G27	<INV BOX>	
706	R61 A34 305	Control box	R-M250 BS				1			KE00J170G28	<INV BOX>	
707	R61 A35 305	Control box	R-M300					1		KE00J170G29	<INV BOX>	
708	R61 A36 305	Control box	R-M300 BS						1	KE00J170G30	<INV BOX>	
709	R61 617 280	Control board		1	1	1	1	1	1	KE80G597G03	<MAIN12>	
710	R61 618 280	PS board		1	1	1	1	1	1	KE80G590G04	<PS02>	
711	R61 619 280	INV board		1	1	1	1	1	1	KE80G592G05	<INV35Y>	
712	R61 620 280	Fan board		1	1	1	1	1	1	KE80G738G04	<INV/S19Y>	
713	R61 054 293	Noise filter		1	1	1	1	1	1	KE80G598G03	<Noise filter>	
714	R61 007 246	Terminal block		1	1	1	1	1	1	S436005H12	<TB1>	
715	R61 073 259	Reactor		1	1					KR65C399H02	<DCL>	
716	R61 084 259	Reactor				1	1			KR65C400H03	<DCL>	
717	R61 085 259	Reactor						1	1	KR65C401H03	<DCL>	
718	R61 001 234	Resistor		2	2	2	2	2	2	P411151X01	<R1,R5>	
719	R61 015 287	AC Current sensor		1	1	1	1	1	1	P418087X01	<ACCT1,2>	
720	R61 018 239	Fuse	3.15A AC250V T	1	1	1	1	1	1	YE81D827H02		
721	R61 006 239	Fuse	6.3A AC250V T	1	1	1	1	1	1	S423001H42		



Notice: Consult your service agency when the wiring needs to be replaced.
 (Replacing wiring will take about 2 months.)

No.	Part No.	Part Name	Spec.	Model Selection Matrix						Dwg. No.	Notes for the models	Revision info.
				PURY-M350YNW-A1	PURY-M350YNW-A1-BS	PURY-M400YNW-A1	PURY-M400YNW-A1-BS	PURY-M450YNW-A1	PURY-M450YNW-A1-BS			
801	R61 A37 305	Control box	R-M350	1						KE00J171G53		
802	R61 A38 305	Control box	R-M350 BS		1					KE00J171G54		
803	R61 A39 305	Control box	R-M400/450			1		1		KE00J171G55		
804	R61 A40 305	Control box	R-M400/450 BS				1		1	KE00J171G56		
805	R61 617 280	Control board		1	1	1	1	1	1	KE80G597G03	<MAIN12>	
806	R61 621 280	PS board		1	1	1	1	1	1	KE80G590G06	<PS board>	
807	R61 622 280	INV board		1	1	1	1	1	1	KE80G592G04	<INV42Y>	
808	R61 623 280	Capacitor board		1	1	1	1	1	1	KE80G594G04	<CAP06Y>	
809	R61 620 280	Fan board		2	2	2	2	2	2	KE80G738G04	<INV/S19Y>	
810	R61 054 293	Noise filter		1	1	1	1	1	1	KE80G598G03	<Noise filter>	
811	R61 007 246	Terminal block		1	1	1	1	1	1	S436005H12	<TB1>	
812	R61 054 114	Fan		1	1	1	1	1	1	KR55C407H02	<FAN>	
813	R61 075 259	Reactor		1	1	1	1	1	1	KR65C402H02	<DCL>	
814	R61 001 234	Resistor		2	2	2	2	2	2	P411151X01	<R1,R5>	
815	R61 015 287	AC Current sensor		1	1	1	1	1	1	P418087X01	<ACCT1,2>	
816	R61 018 239	Fuse	3.15A AC250V T	1	1	1	1	1	1	YE81D827H02		
817	R61 006 239	Fuse	6.3A AC250V T	1	1	1	1	1	1	S423001H42		



Notice: Consult your service agency
 when the wiring needs to be replaced.
 (Replacing wiring will take about 2 months.)

No.	Part No.	Part Name	Spec.	PURY-M500YNW-A1	PURY-M500YNW-A1-BS					Dwg. No.	Notes for the models	Revision info.
901	R61 A41 305	Control box	R-M500	1						KE00J171G65		
902	R61 A42 305	Control box	R-M500 BS		1					KE00J171G66		
903	R61 617 280	Control board		1	1					KE80G597G03	<MAIN12>	
904	R61 621 280	PS board		1	1					KE80G590G06	<PS board>	
905	R61 624 280	INV board		1	1					KE80G595G04	<INV37YC>	
906	R61 620 280	Fan board		2	2					KE80G738G04	<INV/S19Y>	
907	R61 055 293	Noise filter		1	1					KE80G599G02	<Noise filter>	
908	R61 536 280	Filter board		1	1					KE80G600G01	<Filter board>	
909	R61 007 246	Terminal block		1	1					S436005H12	<TB1>	
910	R61 055 114	Fan		1	1					KR55C522H01	<FAN>	
911	R61 056 114	Fan		1	1					KR55C521H01	<FAN>	
912	R61 089 259	Reactor		1	1					KR65C403H03	<DCL>	
913	R61 001 234	Resistor		2	2					P411151X01	<R1,R5>	
914	R61 015 287	AC Current sensor		1	1					P418087X01	<ACCT1,2>	
915	R61 018 239	Fuse	3.15A AC250V T	2	2					YE81D827H02		
916	R61 006 239	Fuse	6.3A AC250V T	1	1					S423001H42		

mitsubishi
MITSUBISHI ELECTRIC CORPORATION

BWE01828B (20200731)