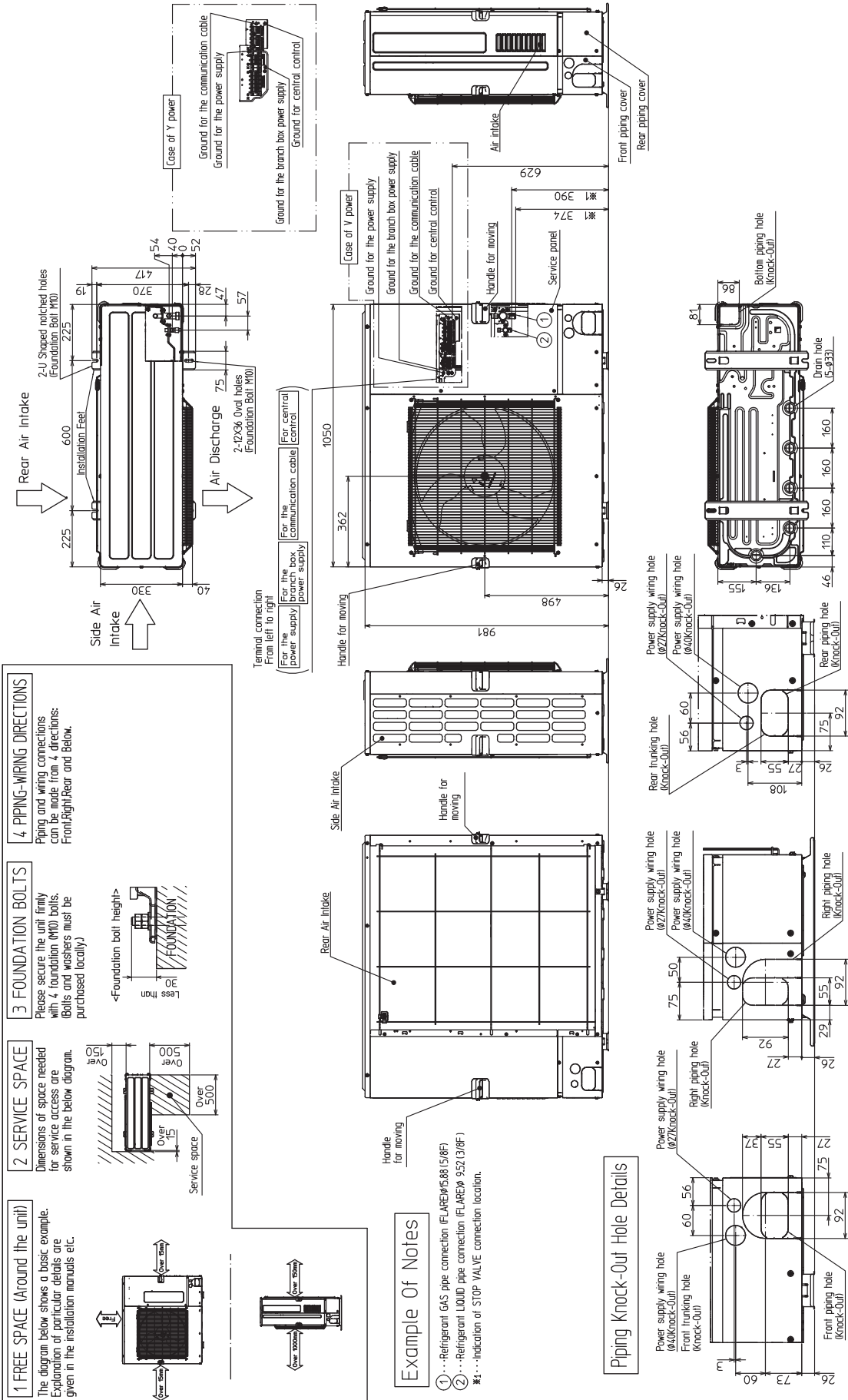


PUMY-SP112, 125, 140VKM2(-BS)
PUMY-SP112, 125, 140YKM2(-BS)

Unit: mm

PUMY-SP-VKM2, YKM2



1 FREE SPACE (around the unit)
The diagram below shows a basic example. Explanation of particular details are given in the installation manuals etc.

2 SERVICE SPACE
Dimensions of space needed for service access are shown in the below diagram.

3 FOUNDATION BOLTS
Please secure the unit firmly with 4 foundation (M10) bolts. (Bolts and washers must be purchased locally.)

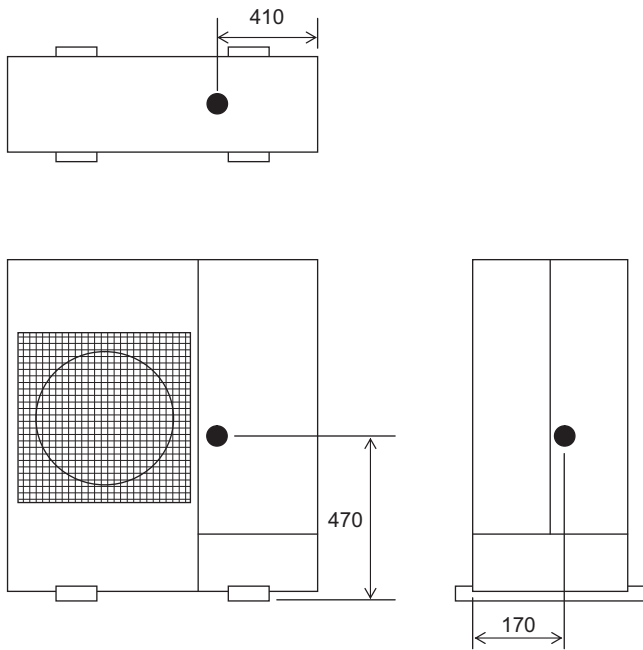
4 PIPING-WIRING DIRECTIONS
Piping and wiring connections can be made from 4 directions: Front/Right/Rear and Below.

Example Of Notes
① ---Refrigerant GAS pipe connection (FLARE) (5/8) (1/8)
② ---Refrigerant LIQUID pipe connection (FLARE) (9/32) (3/8)
※ ---Indication of STOP VALVE connection location.

Piping Knock-Out Hole Details

PUMY-SP112, 125, 140VKM2(-BS)
PUMY-SP112, 125, 140YKM2(-BS)

Unit: mm



PUMY-SP-VKM2, YKM2