

# PARTS CATALOG

**<Outdoor unit>**
**[Model Name]**

PUMY-SP112VKM2  
 PUMY-SP112VKM2-ET  
 PUMY-SP112VKM2-ER  
 PUMY-SP125VKM2  
 PUMY-SP125VKM2-ET  
 PUMY-SP125VKM2-ER  
 PUMY-SP140VKM2  
 PUMY-SP140VKM2-ET  
 PUMY-SP140VKM2-ER  
 PUMY-SP112YKM2  
 PUMY-SP112YKM2-ET  
 PUMY-SP112YKM2-ER  
 PUMY-SP125YKM2  
 PUMY-SP125YKM2-ET  
 PUMY-SP125YKM2-ER  
 PUMY-SP140YKM2  
 PUMY-SP140YKM2-ET  
 PUMY-SP140YKM2-ER

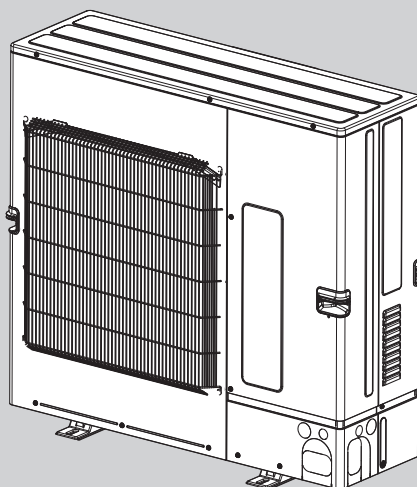
**[Service Ref.]**

PUMY-SP112VKM2.TH  
 PUMY-SP112VKM2-ET.TH  
 PUMY-SP112VKM2-ER.TH  
 PUMY-SP125VKM2.TH  
 PUMY-SP125VKM2-ET.TH  
 PUMY-SP125VKM2-ER.TH  
 PUMY-SP140VKM2.TH  
 PUMY-SP140VKM2-ET.TH  
 PUMY-SP140VKM2-ER.TH  
 PUMY-SP112YKM2.TH  
 PUMY-SP112YKM2-ET.TH  
 PUMY-SP112YKM2-ER.TH  
 PUMY-SP125YKM2.TH  
 PUMY-SP125YKM2-ET.TH  
 PUMY-SP125YKM2-ER.TH  
 PUMY-SP140YKM2.TH  
 PUMY-SP140YKM2-ET.TH  
 PUMY-SP140YKM2-ER.TH

**Salt proof model**

PUMY-SP112VKM2-BS  
 PUMY-SP112VKM2-ET-BS  
 PUMY-SP112VKM2-ER-BS  
 PUMY-SP125VKM2-BS  
 PUMY-SP125VKM2-ET-BS  
 PUMY-SP125VKM2-ER-BS  
 PUMY-SP140VKM2-BS  
 PUMY-SP140VKM2-ET-BS  
 PUMY-SP140VKM2-ER-BS  
 PUMY-SP112YKM2-BS  
 PUMY-SP112YKM2-ET-BS  
 PUMY-SP112YKM2-ER-BS  
 PUMY-SP125YKM2-BS  
 PUMY-SP125YKM2-ET-BS  
 PUMY-SP125YKM2-ER-BS  
 PUMY-SP140YKM2-BS  
 PUMY-SP140YKM2-ET-BS  
 PUMY-SP140YKM2-ER-BS

PUMY-SP112VKM2-BS.TH  
 PUMY-SP112VKM2-ET-BS.TH  
 PUMY-SP112VKM2-ER-BS.TH  
 PUMY-SP125VKM2-BS.TH  
 PUMY-SP125VKM2-ET-BS.TH  
 PUMY-SP125VKM2-ER-BS.TH  
 PUMY-SP140VKM2-BS.TH  
 PUMY-SP140VKM2-ET-BS.TH  
 PUMY-SP140VKM2-ER-BS.TH  
 PUMY-SP112YKM2-BS.TH  
 PUMY-SP112YKM2-ET-BS.TH  
 PUMY-SP112YKM2-ER-BS.TH  
 PUMY-SP125YKM2-BS.TH  
 PUMY-SP125YKM2-ET-BS.TH  
 PUMY-SP125YKM2-ER-BS.TH  
 PUMY-SP140YKM2-BS.TH  
 PUMY-SP140YKM2-ET-BS.TH  
 PUMY-SP140YKM2-ER-BS.TH



OUTDOOR UNIT

**CONTENTS**

1. SERVICE PARTS LIST..... 2
2. OPTIONAL PARTS..... 14

**SERVICE MANUAL (TCH092)**

# CITY MULTI

# 1

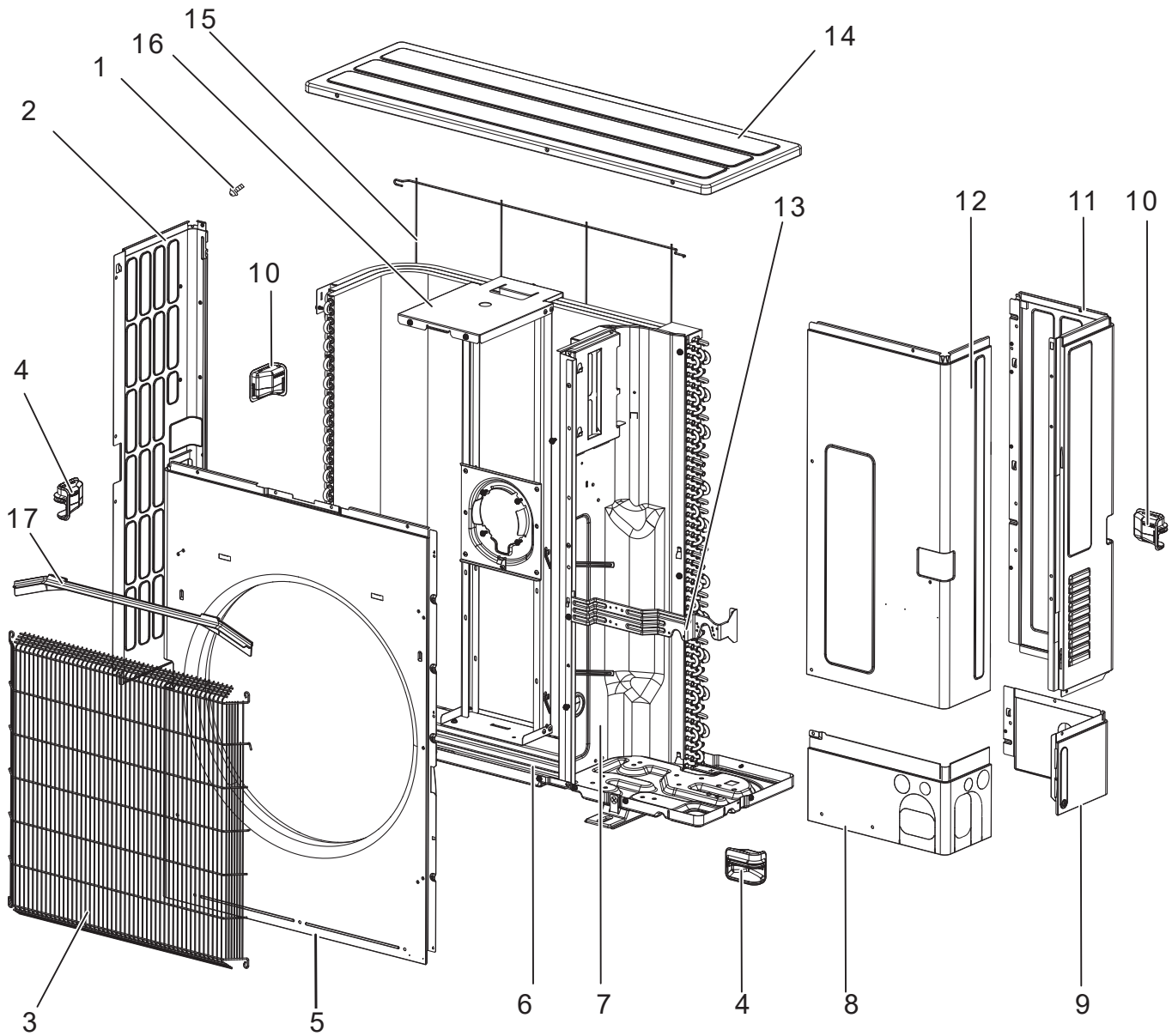
# SERVICE PARTS LIST

## 1-1. OUTDOOR UNIT STRUCTURAL PARTS

PUMY-SP112VKM2(-BS).TH  
PUMY-SP125VKM2(-BS).TH  
PUMY-SP140VKM2(-BS).TH

PUMY-SP112VKM2-ET(-BS).TH  
PUMY-SP125VKM2-ET(-BS).TH  
PUMY-SP140VKM2-ET(-BS).TH

PUMY-SP112VKM2-ER(-BS).TH  
PUMY-SP125VKM2-ER(-BS).TH  
PUMY-SP140VKM2-ER(-BS).TH



1. The part quantity below indicates the required number of pieces per unit.

No.	Parts No.	Parts Name	PUMY-SP112VKM2.TH	PUMY-SP125VKM2.TH	PUMY-SP140VKM2.TH	PUMY-SP112VKM2-ET.TH	PUMY-SP125VKM2-ET.TH	PUMY-SP140VKM2-ET.TH	PUMY-SP112VKM2-ER.TH	PUMY-SP125VKM2-ER.TH	PUMY-SP140VKM2-ER.TH	Remarks [Drawing No.]
1	E 2 7 9 4 2 2 5 0	F. ST SCREW	41	41	41	41	41	41	41	41	41	(5x12)
2	E 2 7 E 3 3 0 8 6	SIDE PANEL (L)	1	1	1	1	1	1	1	1	1	
3	E 2 7 H 9 3 5 2 1	FAN GRILLE	1	1	1	1	1	1	1	1	1	
4	E 2 7 9 4 2 0 0 9	HANDLE (FRONT)	2	2	2	2	2	2	2	2	2	
5	E 2 7 H 9 3 2 3 2	FRONT PANEL	1	1	1	1	1	1	1	1	1	
6	E 2 7 E 3 3 2 9 0	BASE ASSY	1	1	1	1	1	1	1	1	1	
7	E 2 7 H 9 3 2 9 3	SEPARATOR	1	1	1	1	1	1	1	1	1	
8	E 2 7 E 3 3 0 0 6	COVER PANEL (FRONT)	1	1	1	1	1	1	1	1	1	
9	E 2 7 E 3 4 0 0 6	COVER PANEL (REAR)	1	1	1	1	1	1	1	1	1	
10	E 2 7 9 4 3 0 0 9	HANDLE (REAR)	2	2	2	2	2	2	2	2	2	
11	E 2 7 E 3 3 0 8 5	SIDE PANEL (R)	1	1	1	1	1	1	1	1	1	
12	E 2 7 H 9 3 2 4 5	SERVICE PANEL	1	1	1	1	1	1	1	1	1	
13	—	STOP VALVE BED	1	1	1	1	1	1	1	1	1	[RK00B378G01]
14	E 2 7 E 3 3 2 9 7	TOP PANEL	1	1	1	1	1	1	1	1	1	
15	E 2 7 E 3 3 5 2 3	REAR GUARD	1	1	1	1	1	1	1	1	1	
16	E 2 7 H 9 3 5 1 5	MOTOR SUPPORT	1	1	1	1	1	1	1	1	1	
17	E 2 7 A 1 5 5 3 1	ICE GUARD	1	1	1	1	1	1	1	1	1	

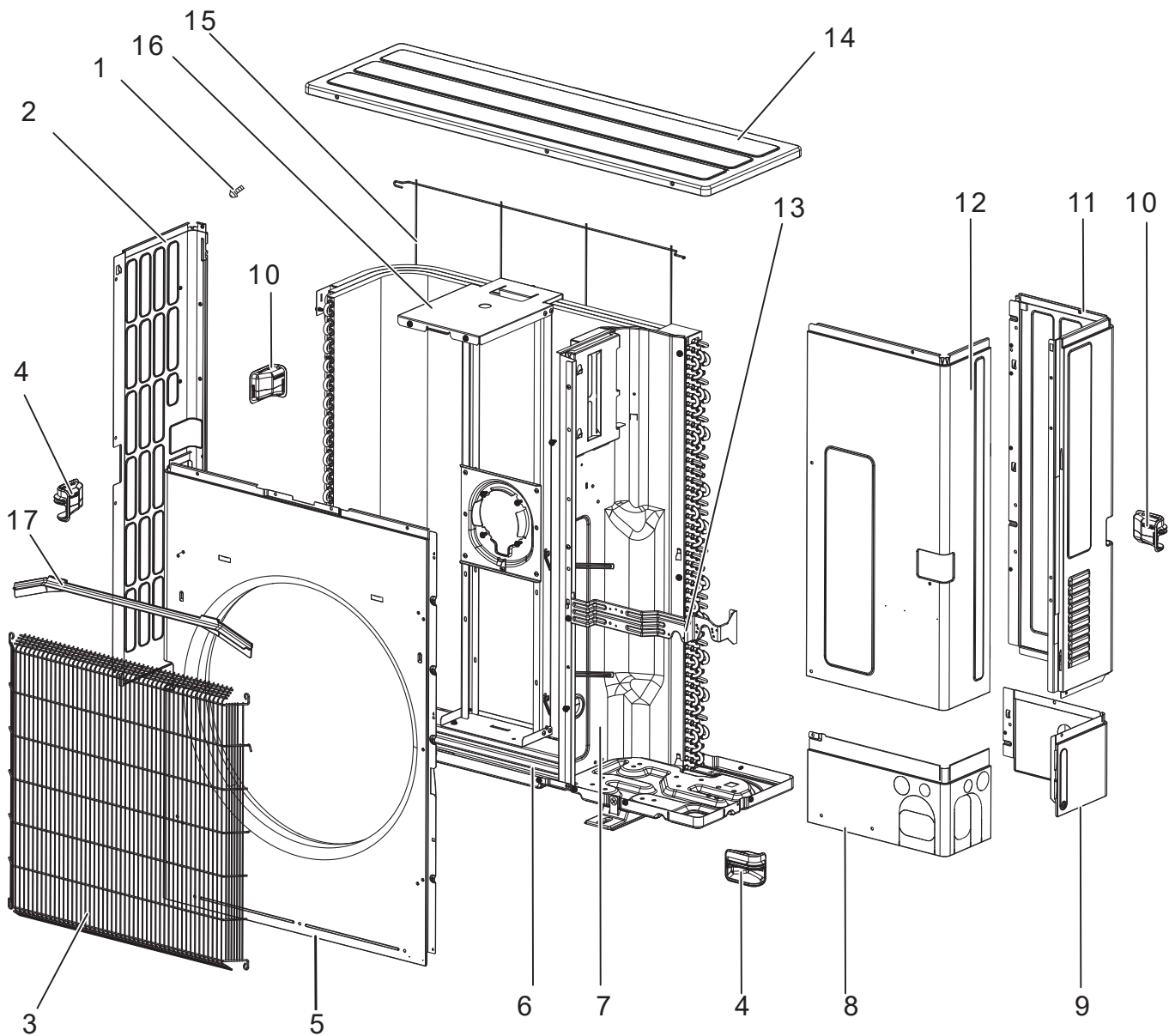
No.	Parts No.	Parts Name	PUMY-SP112VKM2-BS.TH	PUMY-SP125VKM2-BS.TH	PUMY-SP140VKM2-BS.TH	PUMY-SP112VKM2-ET-BS.TH	PUMY-SP125VKM2-ET-BS.TH	PUMY-SP140VKM2-ET-BS.TH	PUMY-SP112VKM2-ER-BS.TH	PUMY-SP125VKM2-ER-BS.TH	PUMY-SP140VKM2-ER-BS.TH	Remarks [Drawing No.]
1	E 2 7 9 4 2 2 5 0	F. ST SCREW	41	41	41	41	41	41	41	41	41	(5x12)
2	E 2 7 H 1 0 0 8 6	SIDE PANEL (L)	1	1	1	1	1	1	1	1	1	
3	E 2 7 H 9 3 5 2 1	FAN GRILLE	1	1	1	1	1	1	1	1	1	
4	E 2 7 9 4 2 0 0 9	HANDLE (FRONT)	2	2	2	2	2	2	2	2	2	
5	E 2 7 H 9 9 2 3 2	FRONT PANEL	1	1	1	1	1	1	1	1	1	
6	E 2 7 H 1 0 2 9 0	BASE ASSY	1	1	1	1	1	1	1	1	1	
7	E 2 7 H 9 9 2 9 3	SEPARATOR	1	1	1	1	1	1	1	1	1	
8	E 2 7 H 1 0 0 0 6	COVER PANEL (FRONT)	1	1	1	1	1	1	1	1	1	
9	E 2 7 H 1 1 0 0 6	COVER PANEL (REAR)	1	1	1	1	1	1	1	1	1	
10	E 2 7 9 4 3 0 0 9	HANDLE(REAR)	2	2	2	2	2	2	2	2	2	
11	E 2 7 H 1 0 0 8 5	SIDE PANEL (R)	1	1	1	1	1	1	1	1	1	
12	E 2 7 H 9 9 2 4 5	SERVICE PANEL	1	1	1	1	1	1	1	1	1	
13	—	STOP VALVE BED	1	1	1	1	1	1	1	1	1	[RK00B378G02]
14	E 2 7 H 1 0 2 9 7	TOP PANEL	1	1	1	1	1	1	1	1	1	
15	E 2 7 E 3 3 5 2 3	REAR GUARD	1	1	1	1	1	1	1	1	1	
16	E 2 7 H 9 9 5 1 5	MOTOR SUPPORT	1	1	1	1	1	1	1	1	1	
17	E 2 7 A 1 5 5 3 1	ICE GUARD	1	1	1	1	1	1	1	1	1	

## 1-2. OUTDOOR UNIT STRUCTURAL PARTS

PUMY-SP112YKM2(-BS).TH  
 PUMY-SP125YKM2(-BS).TH  
 PUMY-SP140YKM2(-BS).TH

PUMY-SP112YKM2-ET(-BS).TH  
 PUMY-SP125YKM2-ET(-BS).TH  
 PUMY-SP140YKM2-ET(-BS).TH

PUMY-SP112YKM2-ER(-BS).TH  
 PUMY-SP125YKM2-ER(-BS).TH  
 PUMY-SP140YKM2-ER(-BS).TH



1. The part quantity below indicates the required number of pieces per unit.

No.	Parts No.	Parts Name											Remarks [Drawing No.]
			PUMY-SP112YKM2.TH	PUMY-SP125YKM2.TH	PUMY-SP140YKM2.TH	PUMY-SP112YKM2-ET.TH	PUMY-SP125YKM2-ET.TH	PUMY-SP140YKM2-ET.TH	PUMY-SP112YKM2-ER.TH	PUMY-SP125YKM2-ER.TH	PUMY-SP140YKM2-ER.TH		
1	E 2 7 9 4 2 2 5 0	F. ST SCREW	41	41	41	41	41	41	41	41	41	41	(5x12)
2	E 2 7 E 3 3 0 8 6	SIDE PANEL (L)	1	1	1	1	1	1	1	1	1	1	
3	E 2 7 H 9 3 5 2 1	FAN GRILLE	1	1	1	1	1	1	1	1	1	1	
4	E 2 7 9 4 2 0 0 9	HANDLE (FRONT)	2	2	2	2	2	2	2	2	2	2	
5	E 2 7 H 9 3 2 3 2	FRONT PANEL	1	1	1	1	1	1	1	1	1	1	
6	E 2 7 E 3 3 2 9 0	BASE ASSY	1	1	1	1	1	1	1	1	1	1	
7	E 2 7 H 9 3 2 9 3	SEPARATOR	1	1	1	1	1	1	1	1	1	1	
8	E 2 7 E 3 3 0 0 6	COVER PANEL (FRONT)	1	1	1	1	1	1	1	1	1	1	
9	E 2 7 E 3 4 0 0 6	COVER PANEL (REAR)	1	1	1	1	1	1	1	1	1	1	
10	E 2 7 9 4 3 0 0 9	HANDLE (REAR)	2	2	2	2	2	2	2	2	2	2	
11	E 2 7 E 3 3 0 8 5	SIDE PANEL (R)	1	1	1	1	1	1	1	1	1	1	
12	E 2 7 H 9 3 2 4 5	SERVICE PANEL	1	1	1	1	1	1	1	1	1	1	
13	—	STOP VALVE BED	1	1	1	1	1	1	1	1	1	1	[RK00B378G01]
14	E 2 7 E 3 3 2 9 7	TOP PANEL	1	1	1	1	1	1	1	1	1	1	
15	E 2 7 E 3 3 5 2 3	REAR GUARD	1	1	1	1	1	1	1	1	1	1	
16	E 2 7 H 9 3 5 1 5	MOTOR SUPPORT	1	1	1	1	1	1	1	1	1	1	
17	E 2 7 A 1 5 5 3 1	ICE GUARD	1	1	1	1	1	1	1	1	1	1	

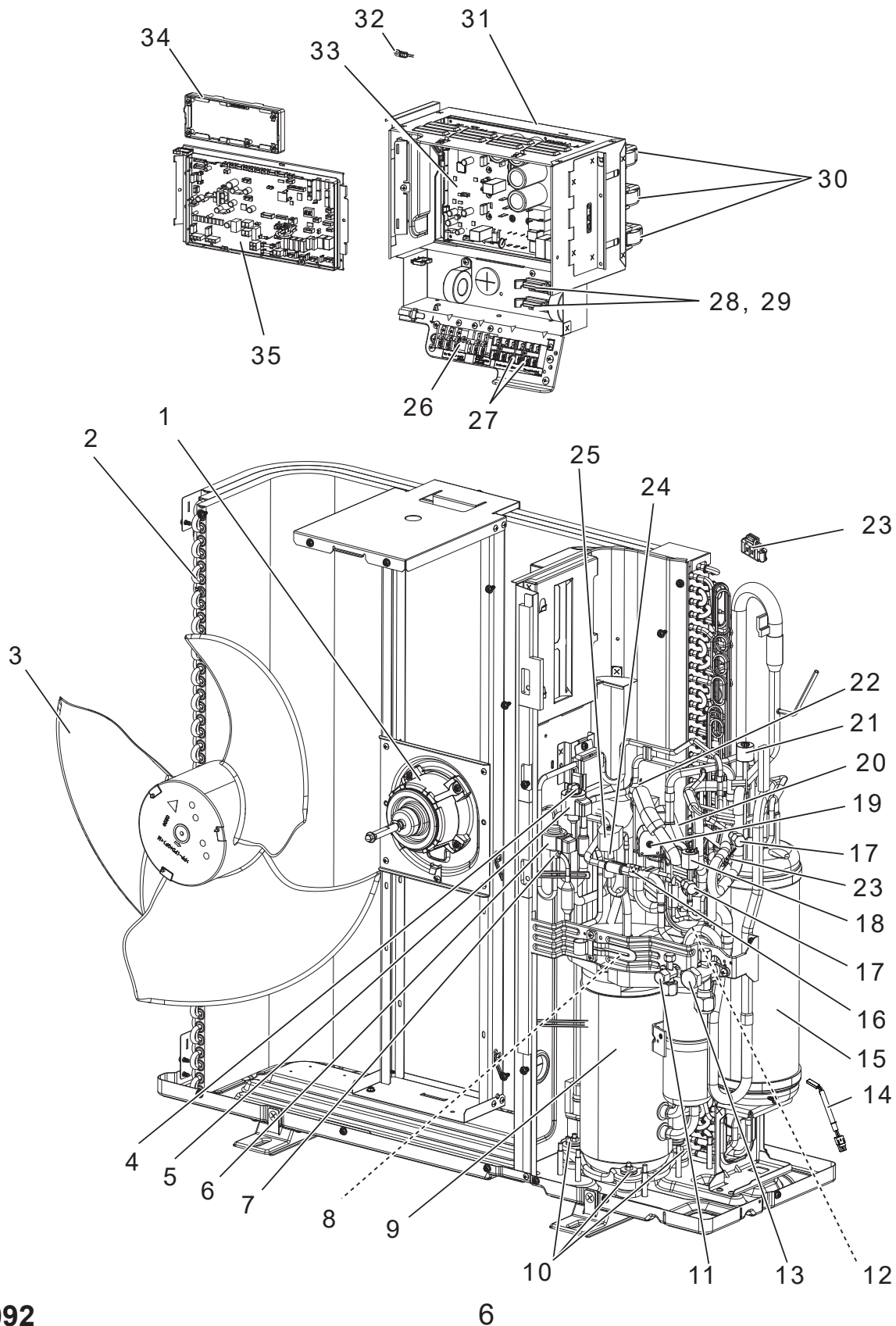
No.	Parts No.	Parts Name											Remarks [Drawing No.]
			PUMY-SP112YKM2-BS.TH	PUMY-SP125YKM2-BS.TH	PUMY-SP140YKM2-BS.TH	PUMY-SP112YKM2-ET-BS.TH	PUMY-SP125YKM2-ET-BS.TH	PUMY-SP140YKM2-ET-BS.TH	PUMY-SP112YKM2-ER-BS.TH	PUMY-SP125YKM2-ER-BS.TH	PUMY-SP140YKM2-ER-BS.TH		
1	E 2 7 9 4 2 2 5 0	F. ST SCREW	41	41	41	41	41	41	41	41	41	41	(5x12)
2	E 2 7 H 1 0 0 8 6	SIDE PANEL (L)	1	1	1	1	1	1	1	1	1	1	
3	E 2 7 H 9 3 5 2 1	FAN GRILLE	1	1	1	1	1	1	1	1	1	1	
4	E 2 7 9 4 2 0 0 9	HANDLE (FRONT)	2	2	2	2	2	2	2	2	2	2	
5	E 2 7 H 9 9 2 3 2	FRONT PANEL	1	1	1	1	1	1	1	1	1	1	
6	E 2 7 H 1 0 2 9 0	BASE ASSY	1	1	1	1	1	1	1	1	1	1	
7	E 2 7 H 9 9 2 9 3	SEPARATOR	1	1	1	1	1	1	1	1	1	1	
8	E 2 7 H 1 0 0 0 6	COVER PANEL (FRONT)	1	1	1	1	1	1	1	1	1	1	
9	E 2 7 H 1 1 0 0 6	COVER PANEL (REAR)	1	1	1	1	1	1	1	1	1	1	
10	E 2 7 9 4 3 0 0 9	HANDLE(REAR)	2	2	2	2	2	2	2	2	2	2	
11	E 2 7 H 1 0 0 8 5	SIDE PANEL (R)	1	1	1	1	1	1	1	1	1	1	
12	E 2 7 H 9 9 2 4 5	SERVICE PANEL	1	1	1	1	1	1	1	1	1	1	
13	—	STOP VALVE BED	1	1	1	1	1	1	1	1	1	1	[RK00B378G02]
14	E 2 7 H 1 0 2 9 7	TOP PANEL	1	1	1	1	1	1	1	1	1	1	
15	E 2 7 E 3 3 5 2 3	REAR GUARD	1	1	1	1	1	1	1	1	1	1	
16	E 2 7 H 9 9 5 1 5	MOTOR SUPPORT	1	1	1	1	1	1	1	1	1	1	
17	E 2 7 A 1 5 5 3 1	ICE GUARD	1	1	1	1	1	1	1	1	1	1	

### 1-3. OUTDOOR UNIT FUNCTIONAL AND ELECTRICAL PARTS

PUMY-SP112VKM2.TH  
 PUMY-SP125VKM2.TH  
 PUMY-SP140VKM2.TH

PUMY-SP112VKM2-ET.TH  
 PUMY-SP125VKM2-ET.TH  
 PUMY-SP140VKM2-ET.TH

PUMY-SP112VKM2-ER.TH  
 PUMY-SP125VKM2-ER.TH  
 PUMY-SP140VKM2-ER.TH



1. The part quantity below indicates the required number of pieces per unit.
2. The circled No. indicates that the part is not shown in the figure.

No.	Parts No.	Parts Name	PUMY-SP112VKM2.TH	PUMY-SP125VKM2.TH	PUMY-SP140VKM2.TH	PUMY-SP112VKM2-ET.TH	PUMY-SP125VKM2-ET.TH	PUMY-SP140VKM2-ET.TH	PUMY-SP112VKM2-ER.TH	PUMY-SP125VKM2-ER.TH	PUMY-SP140VKM2-ER.TH	Wiring Diagram Symbol	Remarks [Drawing No.]
1	E 2 7 F 0 3 3 0 1	OUTDOOR FAN MOTOR	1	1	1	1	1	1	1	1	1	MF1	
2	E 2 7 H 9 3 6 3 0	OUTDOOR HEAT EXCHANGER	1	1	1	1	1	1	1	1	1		
3	E 2 7 9 4 2 5 0 1	PROPELLER FAN	1	1	1	1	1	1	1	1	1		
4	E 2 7 H 9 3 6 4 0	LINEAR EXPANSION VALVE	1	1	1	1	1	1	1	1	1	LEV-A	
5	E 2 7 H 9 3 4 9 3	LINEAR EXPANSION VALVE COIL	1	1	1	1	1	1	1	1	1	LEV-A	
6	E 2 7 F 0 3 4 9 3	LINEAR EXPANSION VALVE COIL	1	1	1	1	1	1	1	1	1	LEV-B	
7	E 2 7 F 0 3 6 4 0	LINEAR EXPANSION VALVE	1	1	1	1	1	1	1	1	1	LEV-B	
8	E 2 7 F 0 3 3 0 7	THERMISTOR	1	1	1	1	1	1	1	1	1	TH4 (SHELL)	
9	E 2 7 F 9 3 9 0 0	COMPRESSOR	1	1	1	1	1	1	1	1	1	MC	
10	E 2 2 2 6 7 5 0 6	COMPRESSOR RUBBER SET	3	3	3	3	3	3	3	3	3		
11	E 2 7 9 4 2 6 6 1	STOP VALVE (LIQUID)	1	1	1	1	1	1	1	1	1		
12	E 2 7 F 0 3 2 9 9	OIL SEPARATOR	1	1	1	1	1	1	1	1	1		
13	E 2 7 F 0 3 6 6 1	STOP VALVE (GAS)	1	1	1	1	1	1	1	1	1		
14	E 2 7 8 4 E 3 8 1	COMPRESSOR PROTECTOR	1	1	1	1	1	1	1	1	1	TRS	
15	E 2 7 F 0 3 9 3 2	ACCUMULATOR	1	1	1	1	1	1	1	1	1		
16	E 2 7 F 0 4 3 0 7	THERMISTOR	1	1	1	1	1	1	1	1	1	TH2 (HIC)	
17	E 2 7 9 4 2 6 4 1	CHARGE PLUG	2	2	2	2	2	2	2	2	2		
18	E 2 7 F 0 3 6 4 7	LOW PRESSURE SENSOR	1	1	1	1	1	1	1	1	1	63LS	
19	E 2 7 3 5 L 4 9 0	R.V. COIL	1	1	1	1	1	1	1	1	1	21S4	
20	E 2 7 M 9 7 9 6 1	4-WAY VALVE	1	1	1	1	1	1	1	1	1		
21	E 2 7 F 0 3 6 4 6	HIGH PRESSURE SENSOR	1	1	1	1	1	1	1	1	1	63HS	
22	E 2 7 9 4 2 6 4 6	HIGH PRESSURE SWITCH	1	1	1	1	1	1	1	1	1	63H	4.14MPA
23	E 2 7 F 0 5 3 0 7	THERMISTOR	1	1	1	1	1	1	1	1	1	TH6 (Suction Pipe) TH7 (Ambient)	
24	E 2 7 F 0 3 4 9 2	SOLENOID VALVE	1	1	1	1	1	1	1	1	1	SV1	
25	E 2 7 A 1 6 4 9 0	SOLENOID VALVE COIL	1	1	1	1	1	1	1	1	1	SV1	
26	E 2 7 F 0 8 3 7 4	TERMINAL BLOCK	1	1	1	1	1	1	1	1	1	TB1	
27	E 2 7 7 0 4 3 7 5	TERMINAL BLOCK	2	2	2	2	2	2	2	2	2	TB3, TB7	
28	E 2 2 7 3 5 3 8 2	FUSE	2	2	2	2	2	2	2	2	2	FUSE1, FUSE2	
29	E 2 2 7 3 5 2 4 1	FUSE HOLDER	2	2	2	2	2	2	2	2	2		
30	E 2 7 E 4 5 3 3 7	REACTOR SET	3	3	3	3	3	3	3	3	3	DCL1, DCL2, DCL3	3PCS/SET
31	—	ELECTRICAL BOX	1	1	1	1	1	1	1	1	1		[BK00N051G53]
32	E 2 7 E 4 5 3 0 7	THERMISTOR	1	1	1	1	1	1	1	1	1	TH8 (Heat sink)	
33	E 2 7 3 5 L 4 4 0	POWER BOARD	1	1	1	1	1	1	1	1	1	P.B.	
34	E 2 7 3 4 C 4 5 6	M-NET POWER BOARD	1	1	1	1	1	1	1	1	1	M-NET P.B.	
35	E 2 7 8 8 M 4 5 0	MULTI CONTROLLER BOARD	1	1	1	1	1	1	1	1	1	MULTI.B.	
36	E 2 7 9 4 4 3 0 7	THERMISTOR	1	1	1	1	1	1	1	1	1	TH3 (Outdoor Liquid Pipe)	

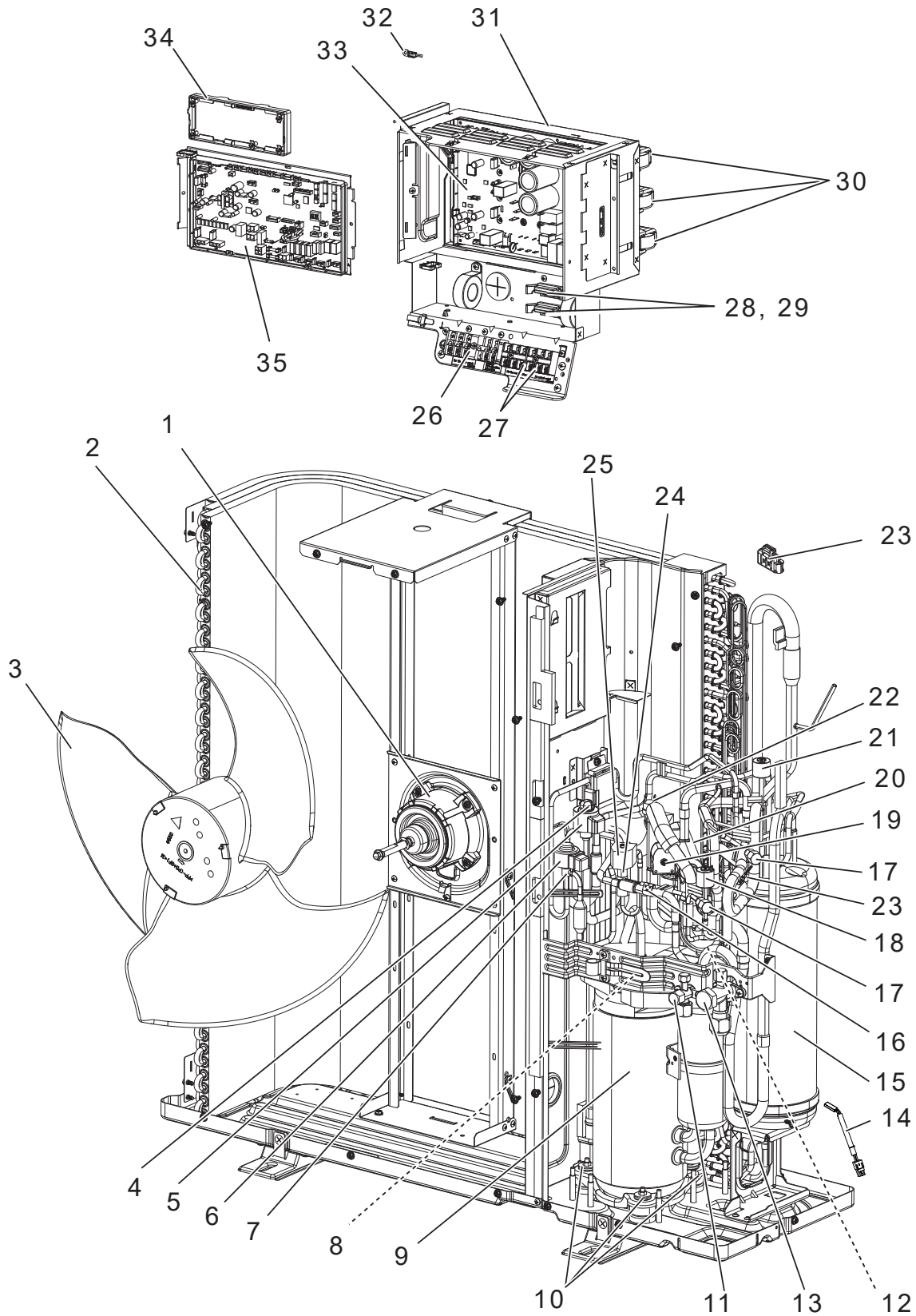


## 1-4. OUTDOOR UNIT FUNCTIONAL AND ELECTRICAL PARTS

PUMY-SP112VKM2-BS.TH  
 PUMY-SP125VKM2-BS.TH  
 PUMY-SP140VKM2-BS.TH

PUMY-SP112VKM2-ET-BS.TH  
 PUMY-SP125VKM2-ET-BS.TH  
 PUMY-SP140VKM2-ET-BS.TH

PUMY-SP112VKM2-ER-BS.TH  
 PUMY-SP125VKM2-ER-BS.TH  
 PUMY-SP140VKM2-ER-BS.TH





1. The part quantity below indicates the required number of pieces per unit.
2. The circled No. indicates that the part is not shown in the figure.

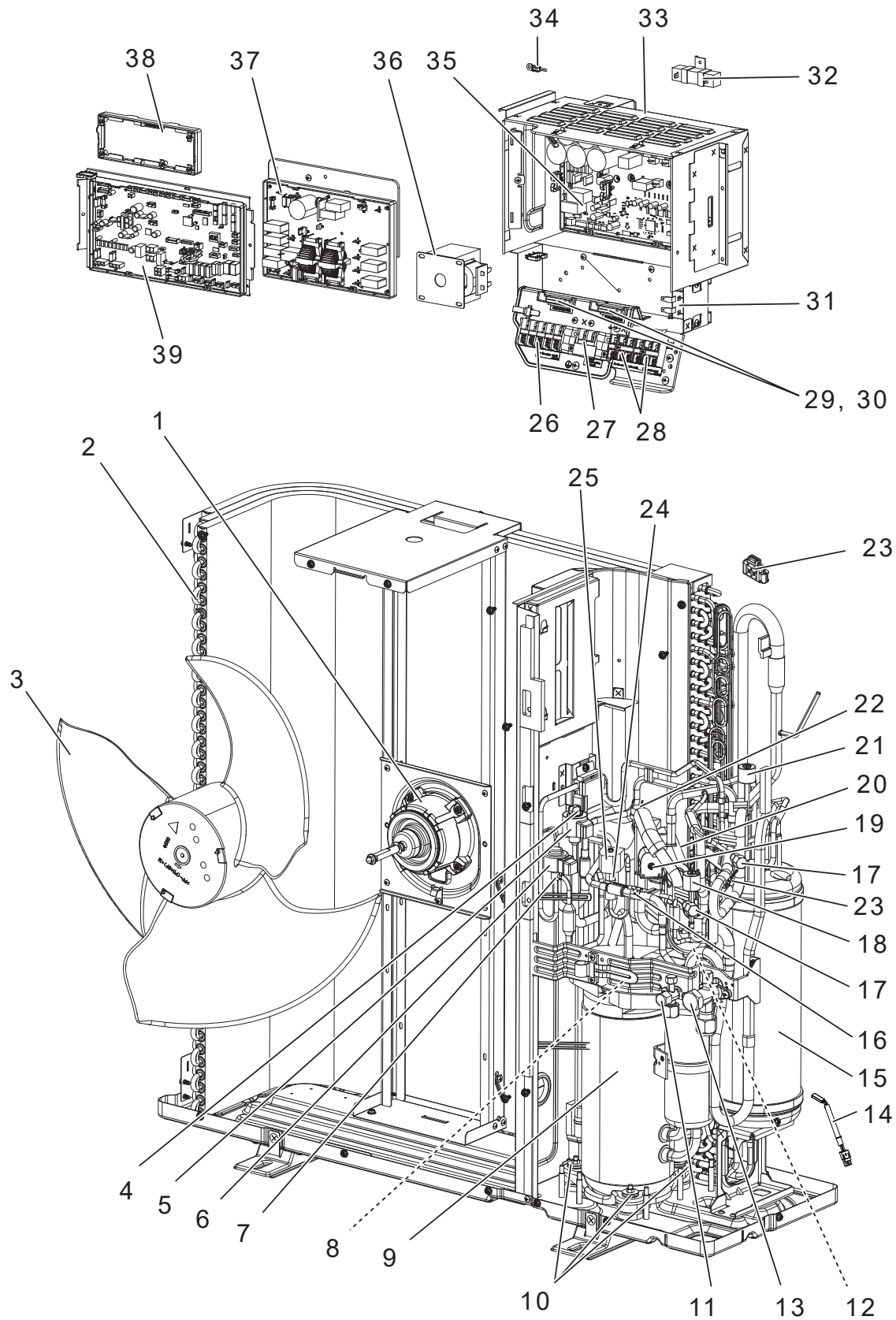
No.	Parts No.	Parts Name	PUMY-SP112VKM2-BS.TH	PUMY-SP125VKM2-BS.TH	PUMY-SP140VKM2-BS.TH	PUMY-SP112VKM2-ET-BS.TH	PUMY-SP125VKM2-ET-BS.TH	PUMY-SP140VKM2-ET-BS.TH	PUMY-SP112VKM2-ER-BS.TH	PUMY-SP125VKM2-ER-BS.TH	PUMY-SP140VKM2-ER-BS.TH	Wiring Diagram Symbol	Remarks [Drawing No.]
1	E 2 7 F 0 3 3 0 1	OUTDOOR FAN MOTOR	1	1	1	1	1	1	1	1	1	MF1	
2	E 2 7 H 9 3 6 3 0	OUTDOOR HEAT EXCHANGER	1	1	1	1	1	1	1	1	1		
3	E 2 7 9 4 2 5 0 1	PROPELLER FAN	1	1	1	1	1	1	1	1	1		
4	E 2 7 H 9 3 6 4 0	LINEAR EXPANSION VALVE	1	1	1	1	1	1	1	1	1	LEV-A	
5	E 2 7 H 9 3 4 9 3	LINEAR EXPANSION VALVE COIL	1	1	1	1	1	1	1	1	1	LEV-A	
6	E 2 7 F 0 3 4 9 3	LINEAR EXPANSION VALVE COIL	1	1	1	1	1	1	1	1	1	LEV-B	
7	E 2 7 F 0 3 6 4 0	LINEAR EXPANSION VALVE	1	1	1	1	1	1	1	1	1	LEV-B	
8	E 2 7 F 0 3 3 0 7	THERMISTOR	1	1	1	1	1	1	1	1	1	TH4 (SHELL)	
9	E 2 7 F 9 3 9 0 0	COMPRESSOR	1	1	1	1	1	1	1	1	1	MC	
10	E 2 2 2 6 7 5 0 6	COMPRESSOR RUBBER SET	3	3	3	3	3	3	3	3	3		
11	E 2 7 9 4 2 6 6 1	STOP VALVE (LIQUID)	1	1	1	1	1	1	1	1	1		
12	E 2 7 F 0 3 2 9 9	OIL SEPARATOR	1	1	1	1	1	1	1	1	1		
13	E 2 7 F 0 3 6 6 1	STOP VALVE (GAS)	1	1	1	1	1	1	1	1	1		
14	E 2 7 8 4 E 3 8 1	COMPRESSOR PROTECTOR	1	1	1	1	1	1	1	1	1	TRS	
15	E 2 7 F 0 3 9 3 2	ACCUMULATOR	1	1	1	1	1	1	1	1	1		
16	E 2 7 F 0 4 3 0 7	THERMISTOR	1	1	1	1	1	1	1	1	1	TH2 (HIC)	
17	E 2 7 9 4 2 6 4 1	CHARGE PLUG	2	2	2	2	2	2	2	2	2		
18	E 2 7 F 0 3 6 4 7	LOW PRESSURE SENSOR	1	1	1	1	1	1	1	1	1	63LS	
19	E 2 7 H 9 3 4 9 0	R.V. COIL	1	1	1	1	1	1	1	1	1	21S4	
20	E 2 2 R 5 5 9 6 1	4-WAY VALVE	1	1	1	1	1	1	1	1	1		
21	E 2 7 F 0 3 6 4 6	HIGH PRESSURE SENSOR	1	1	1	1	1	1	1	1	1	63HS	
22	E 2 7 9 4 2 6 4 6	HIGH PRESSURE SWITCH	1	1	1	1	1	1	1	1	1	63H	4.14MPA
23	E 2 7 F 0 5 3 0 7	THERMISTOR	1	1	1	1	1	1	1	1	1	TH6 (Suction Pipe) TH7 (Ambient)	
24	E 2 7 F 0 3 4 9 2	SOLENOID VALVE	1	1	1	1	1	1	1	1	1	SV1	
25	E 2 7 A 1 6 4 9 0	SOLENOID VALVE COIL	1	1	1	1	1	1	1	1	1	SV1	
26	E 2 7 F 0 8 3 7 4	TERMINAL BLOCK	1	1	1	1	1	1	1	1	1	TB1	
27	E 2 7 7 0 4 3 7 5	TERMINAL BLOCK	2	2	2	2	2	2	2	2	2	TB3, TB7	
28	E 2 2 7 3 5 3 8 2	FUSE	2	2	2	2	2	2	2	2	2	FUSE1, FUSE2	
29	E 2 2 7 3 5 2 4 1	FUSE HOLDER	2	2	2	2	2	2	2	2	2		
30	E 2 7 E 4 5 3 3 7	REACTOR SET	3	3	3	3	3	3	3	3	3	DCL1, DCL2, DCL3	3PCS/SET
31	—	ELECTRICAL BOX	1	1	1	1	1	1	1	1	1		[BK00N051G53]
32	E 2 7 E 4 5 3 0 7	THERMISTOR	1	1	1	1	1	1	1	1	1	TH8 (Heat sink)	
33	E 2 7 3 5 L 4 4 0	POWER BOARD	1	1	1	1	1	1	1	1	1	P.B.	
34	E 2 7 3 4 C 4 5 6	M-NET POWER BOARD	1	1	1	1	1	1	1	1	1	M-NET P.B.	
35	E 2 7 8 8 M 4 5 0	MULTI CONTROLLER BOARD	1	1	1	1	1	1	1	1	1	MULTI.B.	
36	E 2 7 9 4 4 3 0 7	THERMISTOR	1	1	1	1	1	1	1	1	1	TH3 (Outdoor Liquid Pipe)	

## 1-5. OUTDOOR UNIT FUNCTIONAL AND ELECTRICAL PARTS

PUMY-SP112YKM2.TH  
 PUMY-SP125YKM2.TH  
 PUMY-SP140YKM2.TH

PUMY-SP112YKM2-ET.TH  
 PUMY-SP125YKM2-ET.TH  
 PUMY-SP140YKM2-ET.TH

PUMY-SP112YKM2-ER.TH  
 PUMY-SP125YKM2-ER.TH  
 PUMY-SP140YKM2-ER.TH



1. The part quantity below indicates the required number of pieces per unit.
2. The circled No. indicates that the part is not shown in the figure.

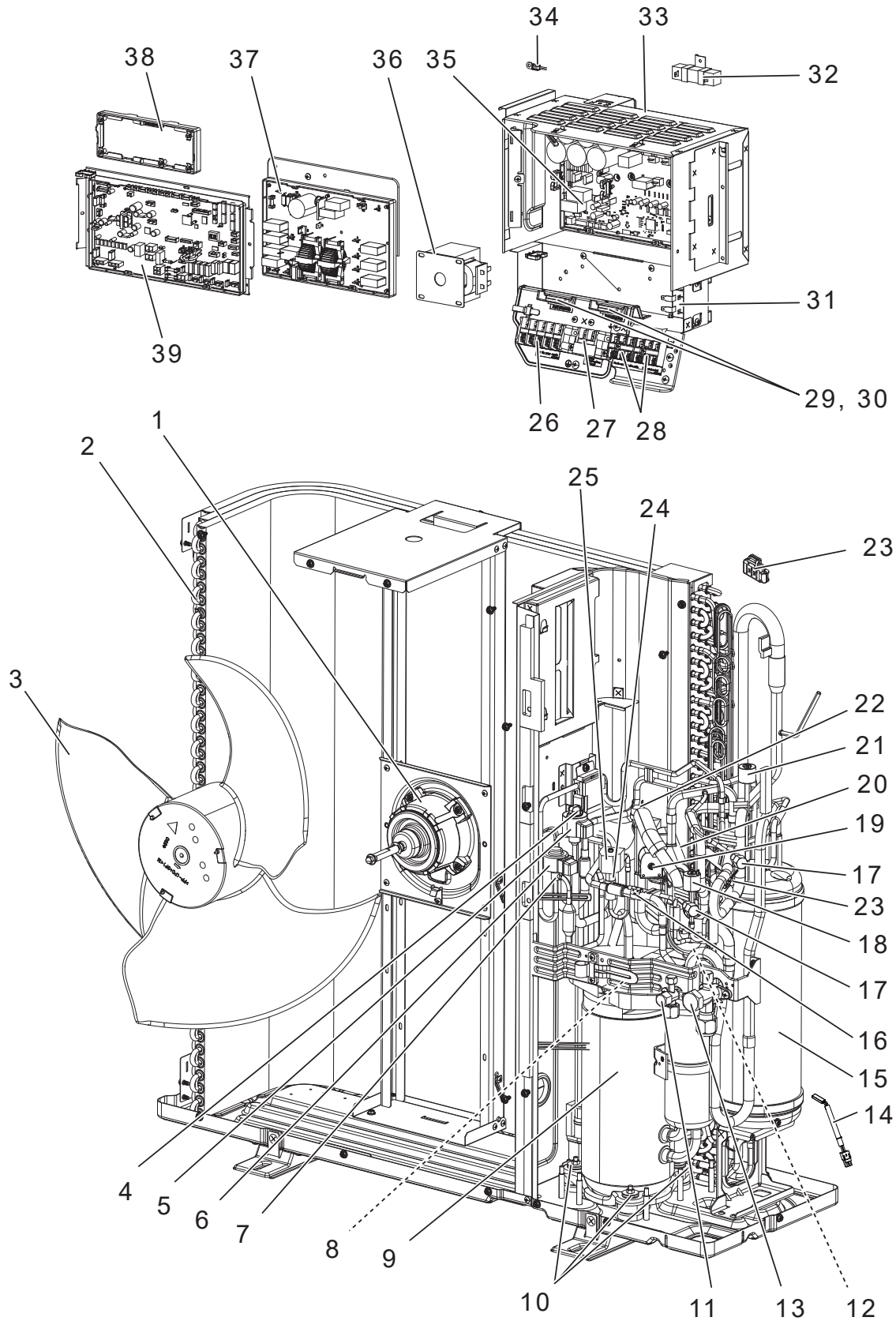
No.	Parts No.	Parts Name										Wiring Diagram Symbol	Remarks [Drawing No.]
			PUMY-SP112YKM2.TH	PUMY-SP125YKM2.TH	PUMY-SP140YKM2.TH	PUMY-SP112YKM2-ET.TH	PUMY-SP125YKM2-ET.TH	PUMY-SP140YKM2-ET.TH	PUMY-SP112YKM2-ER.TH	PUMY-SP125YKM2-ER.TH	PUMY-SP140YKM2-ER.TH		
1	E 27 F 03 301	OUTDOOR FAN MOTOR	1	1	1	1	1	1	1	1	1	MF1	
2	E 27 H 93 630	OUTDOOR HEAT EXCHANGER	1	1	1	1	1	1	1	1	1		
3	E 27 942 501	PROPELLER FAN	1	1	1	1	1	1	1	1	1		
4	E 27 H 93 640	LINEAR EXPANSION VALVE	1	1	1	1	1	1	1	1	1	LEV-A	
5	E 27 H 93 493	LINEAR EXPANSION VALVE COIL	1	1	1	1	1	1	1	1	1	LEV-A	
6	E 27 F 03 493	LINEAR EXPANSION VALVE COIL	1	1	1	1	1	1	1	1	1	LEV-B	
7	E 27 F 03 640	LINEAR EXPANSION VALVE	1	1	1	1	1	1	1	1	1	LEV-B	
8	E 27 F 03 307	THERMISTOR	1	1	1	1	1	1	1	1	1	TH4 (SHELL)	
9	E 27 F 03 900	COMPRESSOR	1	1	1	1	1	1	1	1	1	MC	
10	E 22 267 506	COMPRESSOR RUBBER SET	3	3	3	3	3	3	3	3	3		
11	E 27 942 661	STOP VALVE (LIQUID)	1	1	1	1	1	1	1	1	1		
12	E 27 F 03 299	OIL SEPARATOR	1	1	1	1	1	1	1	1	1		
13	E 27 F 03 661	STOP VALVE (GAS)	1	1	1	1	1	1	1	1	1		
14	E 27 84E 381	COMPRESSOR PROTECTOR	1	1	1	1	1	1	1	1	1	TRS	
15	E 27 F 03 932	ACCUMULATOR	1	1	1	1	1	1	1	1	1		
16	E 27 F 04 307	THERMISTOR	1	1	1	1	1	1	1	1	1	TH2 (HIC)	
17	E 27 942 641	CHARGE PLUG	2	2	2	2	2	2	2	2	2		
18	E 27 F 03 647	LOW PRESSURE SENSOR	1	1	1	1	1	1	1	1	1	63LS	
19	E 27 35 L 490	R.V. COIL	1	1	1	1	1	1	1	1	1	21S4	
20	E 22 M 97 961	4-WAY VALVE	1	1	1	1	1	1	1	1	1		
21	E 27 F 03 646	HIGH PRESSURE SENSOR	1	1	1	1	1	1	1	1	1	63HS	
22	E 27 942 646	HIGH PRESSURE SWITCH	1	1	1	1	1	1	1	1	1	63H	4.14MPA
23	E 27 F 05 307	THERMISTOR	1	1	1	1	1	1	1	1	1	TH6 (Suction Pipe) TH7 (Ambient)	
24	E 27 F 03 492	SOLENOID VALVE	1	1	1	1	1	1	1	1	1	SV1	
25	E 27 A 16 490	SOLENOID VALVE COIL	1	1	1	1	1	1	1	1	1	SV1	
26	E 27 943 374	TERMINAL BLOCK	1	1	1	1	1	1	1	1	1	TB1	
27	E 27 C 47 374	TERMINAL BLOCK	1	1	1	1	1	1	1	1	1	TB1B	
28	E 27 704 375	TERMINAL BLOCK	2	2	2	2	2	2	2	2	2	TB3, TB7	
29	E 22 735 382	FUSE	2	2	2	2	2	2	2	2	2	FUSE1, FUSE2	
30	E 22 735 241	FUSE HOLDER	2	2	2	2	2	2	2	2	2		
31	E 27 945 337	REACTOR	1	1	1	1	1	1	1	1	1	ACL4	
32	E 27 E 33 360	RESISTOR	1	1	1	1	1	1	1	1	1	RS	
33	—	ELECTRICAL BOX	1	1	1	1	1	1	1	1	1		[VY00B030G07]
34	E 27 E 35 307	THERMISTOR	1	1	1	1	1	1	1	1	1	TH8 (Heat sink)	
35	E 27 88 M 440	POWER BOARD	1	1	1	1	1	1	1	1	1	P.B.	
36	E 27 Y 94 337	REACTOR	1	1	1	1	1	1	1	1	1	DCL	
37	E 27 H 96 444	NOISE FILTER P.C. BOARD	1	1	1	1	1	1	1	1	1	N.F.	
38	E 27 34 C 456	M-POWER BOARD	1	1	1	1	1	1	1	1	1	M-NET P.B.	
39	E 27 88 M 450	MULTI CONTROLLER BOARD	1	1	1	1	1	1	1	1	1	MULTI. B.	
④0	E 27 944 307	THERMISTOR	1	1	1	1	1	1	1	1	1	TH3 (Outdoor Liquid Pipe)	

## 1-6. OUTDOOR UNIT FUNCTIONAL AND ELECTRICAL PARTS

PUMY-SP112YKM2-BS.TH  
 PUMY-SP125YKM2-BS.TH  
 PUMY-SP140YKM2-BS.TH

PUMY-SP112YKM2-ET-BS.TH  
 PUMY-SP125YKM2-ET-BS.TH  
 PUMY-SP140YKM2-ET-BS.TH

PUMY-SP112YKM2-ER-BS.TH  
 PUMY-SP125YKM2-ER-BS.TH  
 PUMY-SP140YKM2-ER-BS.TH



1. The part quantity below indicates the required number of pieces per unit.
2. The circled No. indicates that the part is not shown in the figure.

No.	Parts No.	Parts Name	PUMY-SP112YKM2-BS.TH	PUMY-SP125YKM2-BS.TH	PUMY-SP140YKM2-BS.TH	PUMY-SP112YKM2-ET-BS.TH	PUMY-SP125YKM2-ET-BS.TH	PUMY-SP140YKM2-ET-BS.TH	PUMY-SP112YKM2-ER-BS.TH	PUMY-SP125YKM2-ER-BS.TH	PUMY-SP140YKM2-ER-BS.TH	Wiring Diagram Symbol	Remarks [Drawing No.]
1	E 27 F 03 301	OUTDOOR FAN MOTOR	1	1	1	1	1	1	1	1	1	MF1	
2	E 27 H 93 630	OUTDOOR HEAT EXCHANGER	1	1	1	1	1	1	1	1	1		
3	E 27 942 501	PROPELLER FAN	1	1	1	1	1	1	1	1	1		
4	E 27 H 93 640	LINEAR EXPANSION VALVE	1	1	1	1	1	1	1	1	1	LEV-A	
5	E 27 H 93 493	LINEAR EXPANSION VALVE COIL	1	1	1	1	1	1	1	1	1	LEV-A	
6	E 27 F 03 493	LINEAR EXPANSION VALVE COIL	1	1	1	1	1	1	1	1	1	LEV-B	
7	E 27 F 03 640	LINEAR EXPANSION VALVE	1	1	1	1	1	1	1	1	1	LEV-B	
8	E 27 F 03 307	THERMISTOR	1	1	1	1	1	1	1	1	1	TH4 (SHELL)	
9	E 27 F 03 900	COMPRESSOR	1	1	1	1	1	1	1	1	1	MC	
10	E 22 267 506	COMPRESSOR RUBBER SET	3	3	3	3	3	3	3	3	3		
11	E 27 942 661	STOP VALVE (LIQUID)	1	1	1	1	1	1	1	1	1		
12	E 27 F 03 299	OIL SEPARATOR	1	1	1	1	1	1	1	1	1		
13	E 27 F 03 661	STOP VALVE (GAS)	1	1	1	1	1	1	1	1	1		
14	E 27 84 E 381	COMPRESSOR PROTECTOR	1	1	1	1	1	1	1	1	1	TRS	
15	E 27 F 03 932	ACCUMULATOR	1	1	1	1	1	1	1	1	1		
16	E 27 F 04 307	THERMISTOR	1	1	1	1	1	1	1	1	1	TH2 (HIC)	
17	E 27 942 641	CHARGE PLUG	2	2	2	2	2	2	2	2	2		
18	E 27 F 03 647	LOW PRESSURE SENSOR	1	1	1	1	1	1	1	1	1	63LS	
19	E 27 35 L 490	R.V. COIL	1	1	1	1	1	1	1	1	1	21S4	
20	E 27 M 97 961	4-WAY VALVE	1	1	1	1	1	1	1	1	1		
21	E 27 F 03 646	HIGH PRESSURE SENSOR	1	1	1	1	1	1	1	1	1	63HS	
22	E 27 942 646	HIGH PRESSURE SWITCH	1	1	1	1	1	1	1	1	1	63H	4.14MPA
23	E 27 F 05 307	THERMISTOR	1	1	1	1	1	1	1	1	1	TH6 (Suction Pipe) TH7 (Ambient)	
24	E 27 F 03 492	SOLENOID VALVE	1	1	1	1	1	1	1	1	1	SV1	
25	E 27 A 16 490	SOLENOID VALVE COIL	1	1	1	1	1	1	1	1	1	SV1	
26	E 27 943 374	TERMINAL BLOCK	1	1	1	1	1	1	1	1	1	TB1	
27	E 27 C 47 374	TERMINAL BLOCK	1	1	1	1	1	1	1	1	1	TB1B	
28	E 27 704 375	TERMINAL BLOCK	2	2	2	2	2	2	2	2	2	TB3, TB7	
29	E 22 735 382	FUSE	2	2	2	2	2	2	2	2	2	FUSE1, FUSE2	
30	E 22 735 241	FUSE HOLDER	2	2	2	2	2	2	2	2	2		
31	E 27 945 337	REACTOR	1	1	1	1	1	1	1	1	1	ACL4	
32	E 27 E 33 360	RESISTOR	1	1	1	1	1	1	1	1	1	RS	
33	—	ELECTRICAL BOX	1	1	1	1	1	1	1	1	1		[VY00B030G07]
34	E 27 E 35 307	THERMISTOR	1	1	1	1	1	1	1	1	1	TH8 (Heat sink)	
35	E 27 88 M 440	POWER BOARD	1	1	1	1	1	1	1	1	1	P.B.	
36	E 27 Y 94 337	REACTOR	1	1	1	1	1	1	1	1	1	DCL	
37	E 27 H 96 444	NOISE FILTER P.C. BOARD	1	1	1	1	1	1	1	1	1	N.F.	
38	E 27 34 C 456	M-POWER BOARD	1	1	1	1	1	1	1	1	1	M-NET P.B.	
39	E 27 88 M 450	MULTI CONTROLLER BOARD	1	1	1	1	1	1	1	1	1	MULTI. B.	
④0	E 27 944 307	THERMISTOR	1	1	1	1	1	1	1	1	1	TH3 (Outdoor Liquid Pipe)	

# 2

# OPTIONAL PARTS

## 2-1. FOR OUTDOOR UNIT

Parts name	Parts No.
DRAIN SOCKET	PAC-SG61DS-E
AIR OUTLET GUIDE	PAC-SH96SG-E
AIR PROTECT GUIDE	PAC-SH95AG-E
DRAIN PAN	PAC-SH97DP-E
2 BRANCH PIPE (Joint)	CMY-Y62-G-E
4 BRANCH PIPE (Joint)	CMY-Y64-G-E
8 BRANCH PIPE (Joint)	CMY-Y68-G-E
CONNECTION-KIT	PAC-LV11M-J
BRANCH BOX*	PAC-MK31BC (Flare)
	PAC-MK51BC (Flare)
	PAC-MK31BCB(Brazing)
	PAC-MK51BCB(Brazing)
	PAC-MK33BC(Flare)
	PAC-MK53BC(Flare)
	PAC-MK34BC(Flare)
	PAC-MK54BC(Flare)
BASE HEATER	PAC-SJ10BH-E

\* PUMY-SP·VKM.TH(-BS),PUMY-SP·YKM.TH(-BS) cannot connect 52/ 32 series.  
 PUMY-SP·VKMR1/R2.TH(-BS),PUMY-SP·YKMR1/R2.TH(-BS) cannot connect 31/32/51/52 series.

## 2-2. FOR BRANCH BOX

Parts name	Parts No.
BRANCH BOX OUTER COVER (for outdoor installation)	PAC-AK350CVR-E

## DIFFERENT-DIAMETER JOINT

### Different-diameter joint (optional parts) (Fig.2-1)

Model name	Connected pipes diameter	Diameter A	Diameter B
	mm	mm	mm
MAC-A454JP-E	ø9.52 → ø12.7	ø9.52	ø12.7
MAC-A455JP-E	ø12.7 → ø9.52	ø12.7	ø9.52
MAC-A456JP-E	ø12.7 → ø15.88	ø12.7	ø15.88
PAC-493PI	ø6.35 → ø9.52	ø6.35	ø9.52
PAC-SG76RJ-E	ø9.52 → ø15.88	ø9.52	ø15.88

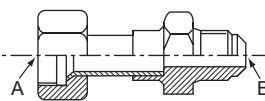


Fig.2-1

### Conversion formula

1/4 inch	ø6.35mm
3/8 inch	ø9.52mm
1/2 inch	ø12.7mm
5/8 inch	ø15.88mm
3/4 inch	ø19.05mm

# MITSUBISHI ELECTRIC CORPORATION

HEAD OFFICE: TOKYO BUILDING, 2-7-3, MARUNOUCHI, CHIYODA-KU, TOKYO100-8310, JAPAN

MITSUBISHI ELECTRIC CONSUMER PRODUCTS (THAILAND) CO., LTD.  
 700/406 MOO 7, TAMBON DON HUA ROH,  
 AMPHUR MUANG, CHONBURI 20000 THAILAND  
 Published: Sep. 2022. No. TCB092  
 Made in Thailand

Specifications are subject to change without notice.