

# PARTS CATALOG

<Outdoor unit>  
[Model Name]

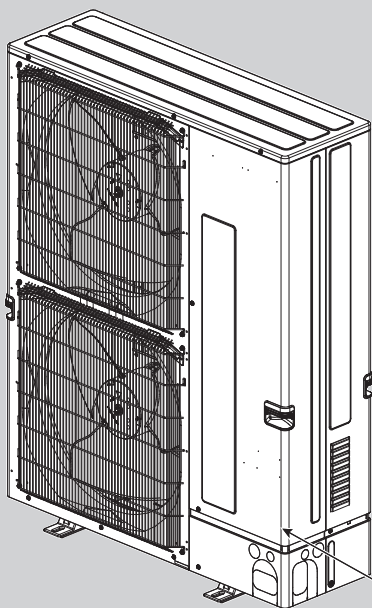
PUMY-P112VKM6  
PUMY-P125VKM6  
PUMY-P140VKM6  
PUMY-P112YKM5  
PUMY-P125YKM5  
PUMY-P140YKM5

PUMY-P112VKM6-ER  
PUMY-P125VKM6-ER  
PUMY-P140VKM6-ER  
PUMY-P112YKM5-ER  
PUMY-P125YKM5-ER  
PUMY-P140YKM5-ER

Salt proof model

PUMY-P112VKM6-BS  
PUMY-P125VKM6-BS  
PUMY-P140VKM6-BS  
PUMY-P112YKM5-BS  
PUMY-P125YKM5-BS  
PUMY-P140YKM5-BS

PUMY-P112VKM6-ERBS  
PUMY-P125VKM6-ERBS  
PUMY-P140VKM6-ERBS  
PUMY-P112YKM5-ERBS  
PUMY-P125YKM5-ERBS  
PUMY-P140YKM5-ERBS



Model name  
indication

1. SERVICE REF. ....	3
2. SERVICE PARTS LIST .....	4
3. OPTIONAL PARTS .....	12

SERVICE MANUAL (OCH790)

# CITY MULTI



# 1 SERVICE REF.

PUMY-P112VKM6  
PUMY-P112VKM6-ER  
PUMY-P125VKM6  
PUMY-P125VKM6-ER  
PUMY-P140VKM6  
PUMY-P140VKM6-ER

PUMY-P112YKM5  
PUMY-P112YKM5-ER  
PUMY-P125YKM5  
PUMY-P125YKM5-ER  
PUMY-P140YKM5  
PUMY-P140YKM5-ER

PUMY-P112VKM6-BS  
PUMY-P112VKM6-ERBS  
PUMY-P125VKM6-BS  
PUMY-P125VKM6-ERBS  
PUMY-P140VKM6-BS  
PUMY-P140VKM6-ERBS

PUMY-P112YKM5-BS  
PUMY-P112YKM5-ERBS  
PUMY-P125YKM5-BS  
PUMY-P125YKM5-ERBS  
PUMY-P140YKM5-BS  
PUMY-P140YKM5-ERBS

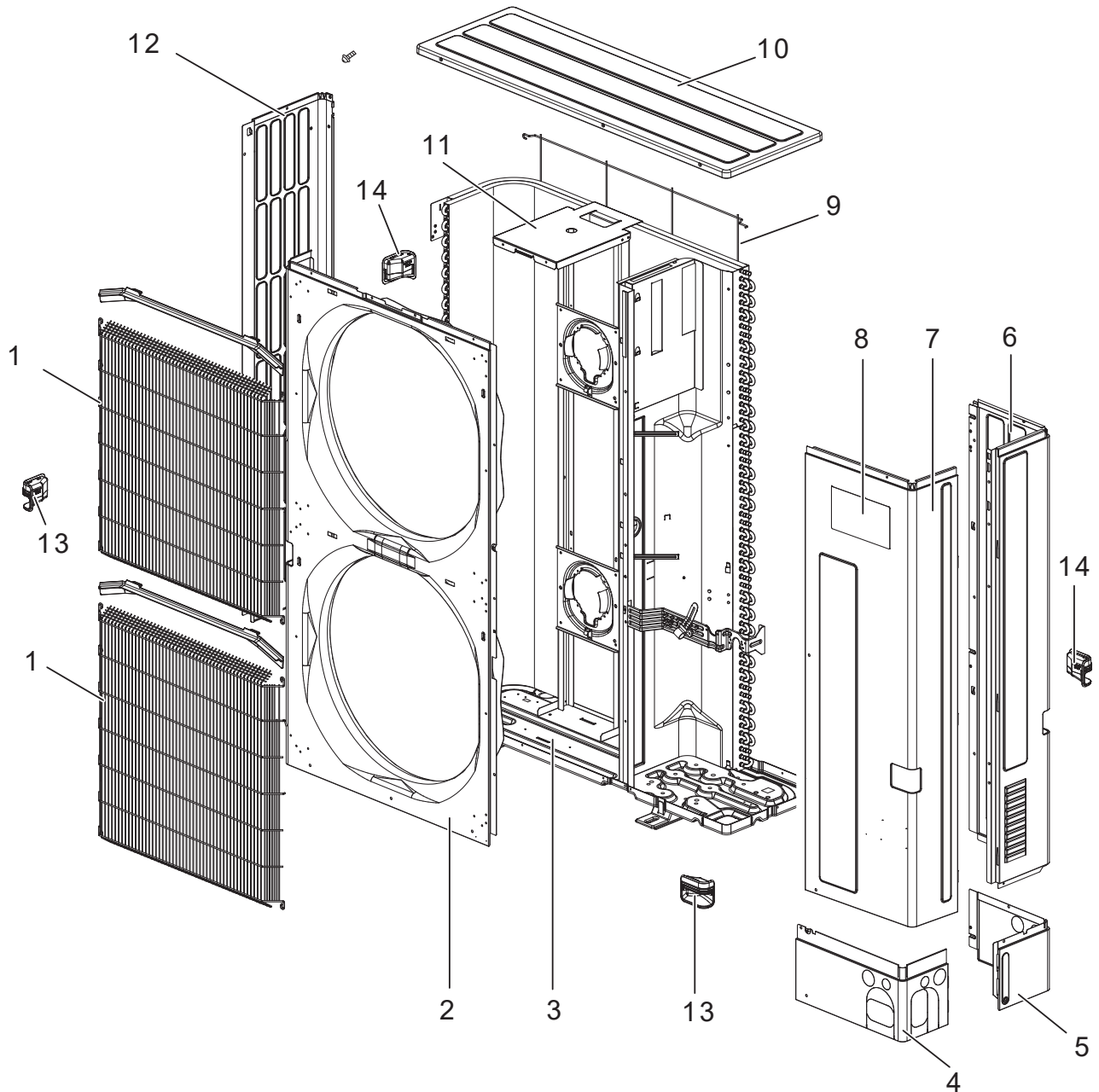
# 2 SERVICE PARTS LIST

## 2-1. STRUCTURAL PARTS

PUMY-P112VKM6  
PUMY-P112VKM6-ER  
PUMY-P112VKM6-BS  
PUMY-P112VKM6-ERBS

PUMY-P125VKM6  
PUMY-P125VKM6-ER  
PUMY-P125VKM6-BS  
PUMY-P125VKM6-ERBS

PUMY-P140VKM6  
PUMY-P140VKM6-ER  
PUMY-P140VKM6-BS  
PUMY-P140VKM6-ERBS



1. The part quantity below indicates the required number of pieces per unit.
2. The circled No. indicates that the part is not shown in the figure.

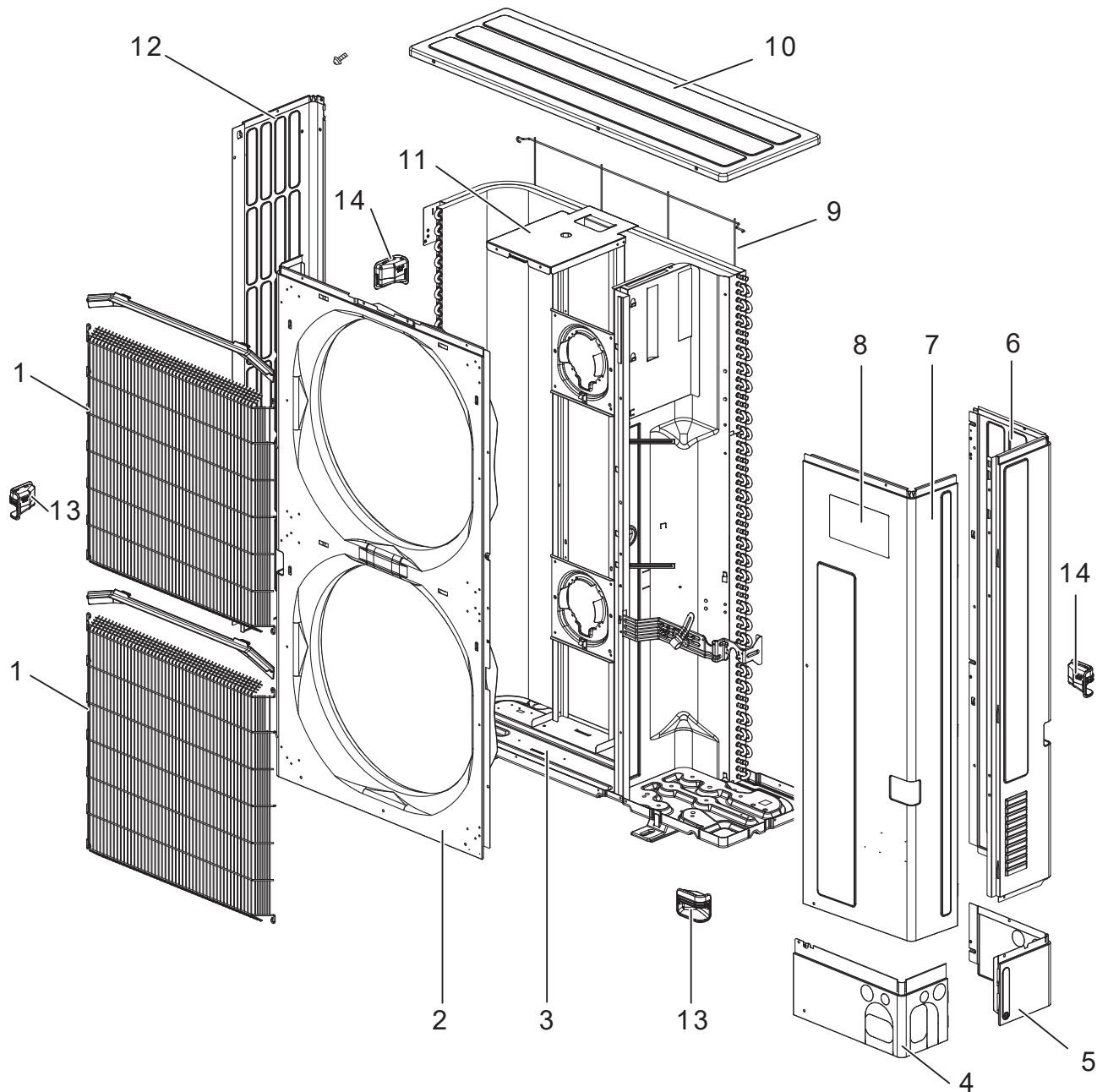
No.	Parts No.			Parts Name	PUMY-P112VKM6	PUMY-P112VKM6-ER	PUMY-P125VKM6	PUMY-P125VKM6-ER	PUMY-P140VKM6	PUMY-P140VKM6-ER	PUMY-P112VKM6-BS	PUMY-P112VKM6-ERBS	PUMY-P125VKM6-BS	PUMY-P125VKM6-ERBS	PUMY-P140VKM6-BS	PUMY-P140VKM6-ERBS	Remarks
1	T7W	E13	691	WIRE GRILLE	2	2	2	2	2	2	2	2	2	2	2	2	
2	R01	E23	668	FRONT PANEL	1	1	1	1	1	1	1	1	1	1	1	1	
3	R01	E53	686	BASE ASSY	1	1	1	1	1	1	1	1	1	1	1	1	
4	R01	E41	658	COVER PANEL (FRONT)	1	1	1	1	1	1	1	1	1	1	1	1	
5	R01	E42	658	COVER PANEL (REAR)	1	1	1	1	1	1	1	1	1	1	1	1	
6	R01	E81	661	SIDE PANEL (R)	1	1	1	1	1	1	1	1	1	1	1	1	
7	T7W	E28	668	SERVICE PANEL	1	1	1	1	1	1	1	1	1	1	1	1	
8	T7W	A11	005	BRAND LABEL (ME_CM)	1	1	1	1	1	1	1	1	1	1	1	1	CITY MULTI
9	R01	E10	698	REAR GUARD	1	1	1	1	1	1	1	1	1	1	1	1	
10	R01	E36	641	TOP PANEL	1	1	1	1	1	1	1	1	1	1	1	1	
11	R01	E59	130	MOTOR SUPPORT	1	1	1	1	1	1	1	1	1	1	1	1	
12	R01	E30	662	SIDE PANEL(L)	1	1	1	1	1	1	1	1	1	1	1	1	
13	R01	E05	655	HANDLE(FRONT)	2	2	2	2	2	2	2	2	2	2	2	2	
14	R01	E06	655	HANDLE(REAR)	2	2	2	2	2	2	2	2	2	2	2	2	

## 2-2. STRUCTURAL PARTS

PUMY-P112YKM5  
PUMY-P112YKM5-ER  
PUMY-P112YKM5-BS  
PUMY-P112YKM5-ERBS

PUMY-P125YKM5  
PUMY-P125YKM5-ER  
PUMY-P125YKM5-BS  
PUMY-P125YKM5-ERBS

PUMY-P140YKM5  
PUMY-P140YKM5-ER  
PUMY-P140YKM5-BS  
PUMY-P140YKM5-ERBS



1. The part quantity below indicates the required number of pieces per unit.
2. The circled No. indicates that the part is not shown in the figure.

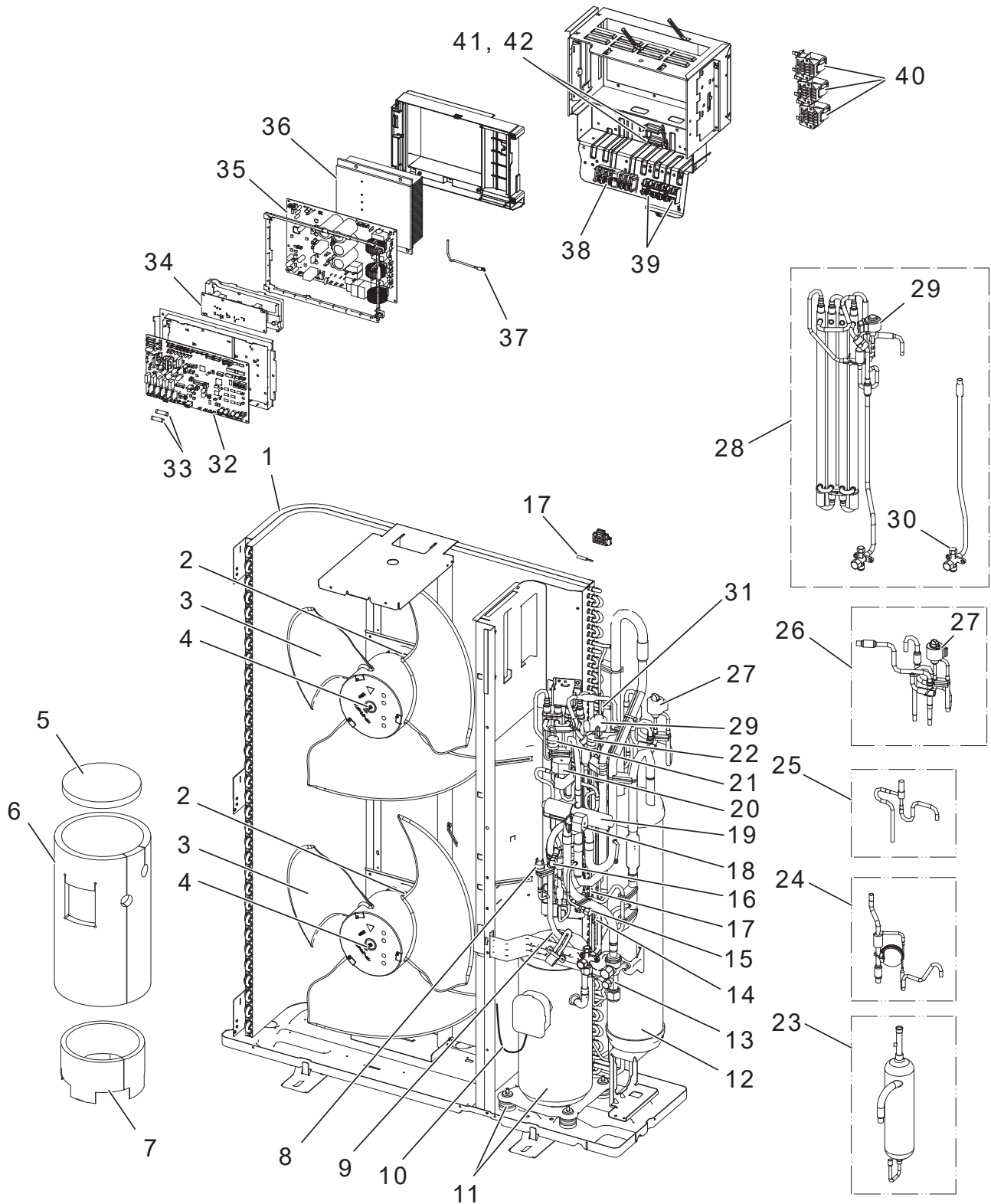
No.	Parts No.	Parts Name	PUMY-P112YKM5	PUMY-P112YKM5-ER	PUMY-P125YKM5	PUMY-P125YKM5-ER	PUMY-P140YKM5	PUMY-P140YKM5-ER	PUMY-P112YKM5-BS	PUMY-P112YKM5-ERBS	PUMY-P125YKM5-BS	PUMY-P125YKM5-ERBS	PUMY-P140YKM5-BS	PUMY-P140YKM5-ERBS	Remarks [Drawing No.]
1	T7W E13 691	WIRE GRILLE	2	2	2	2	2	2	2	2	2	2	2	2	
2	R01 E23 668	FRONT PANEL	1	1	1	1	1	1	1	1	1	1	1	1	
3	R01 E53 686	BASE ASSY	1	1	1	1	1	1	1	1	1	1	1	1	
4	R01 E41 658	COVER PANEL (FRONT)	1	1	1	1	1	1	1	1	1	1	1	1	
5	R01 E42 658	COVER PANEL (REAR)	1	1	1	1	1	1	1	1	1	1	1	1	
6	R01 E72 661	SIDE PANEL (R)	1	1	1	1	1	1	1	1	1	1	1	1	
7	T7W E21 667	SERVICE PANEL	1	1	1	1	1	1	1	1	1	1	1	1	
8	T7W A11 005	BRAND LABEL (ME_CM)	1	1	1	1	1	1	1	1	1	1	1	1	CITY MULTI
9	R01 E10 698	REAR GUARD	1	1	1	1	1	1	1	1	1	1	1	1	
10	R01 E36 641	TOP PANEL	1	1	1	1	1	1	1	1	1	1	1	1	
11	R01 E59 130	MOTOR SUPPORT	1	1	1	1	1	1	1	1	1	1	1	1	
12	R01 E30 662	SIDE PANEL (L)	1	1	1	1	1	1	1	1	1	1	1	1	
13	R01 E05 655	HANDLE (FRONT)	2	2	2	2	2	2	2	2	2	2	2	2	
14	R01 E06 655	HANDLE (REAR)	2	2	2	2	2	2	2	2	2	2	2	2	

## 2-3. FUNCTIONAL PARTS

PUMY-P112VKM6  
 PUMY-P112VKM6-ER  
 PUMY-P112VKM6-BS  
 PUMY-P112VKM6-ERBS

PUMY-P125VKM6  
 PUMY-P125VKM6-ER  
 PUMY-P125VKM6-BS  
 PUMY-P125VKM6-ERBS

PUMY-P140VKM6  
 PUMY-P140VKM6-ER  
 PUMY-P140VKM6-BS  
 PUMY-P140VKM6-ERBS





1. The part quantity below indicates the required number of pieces per unit.
2. The circled No. indicates that the part is not shown in the figure.

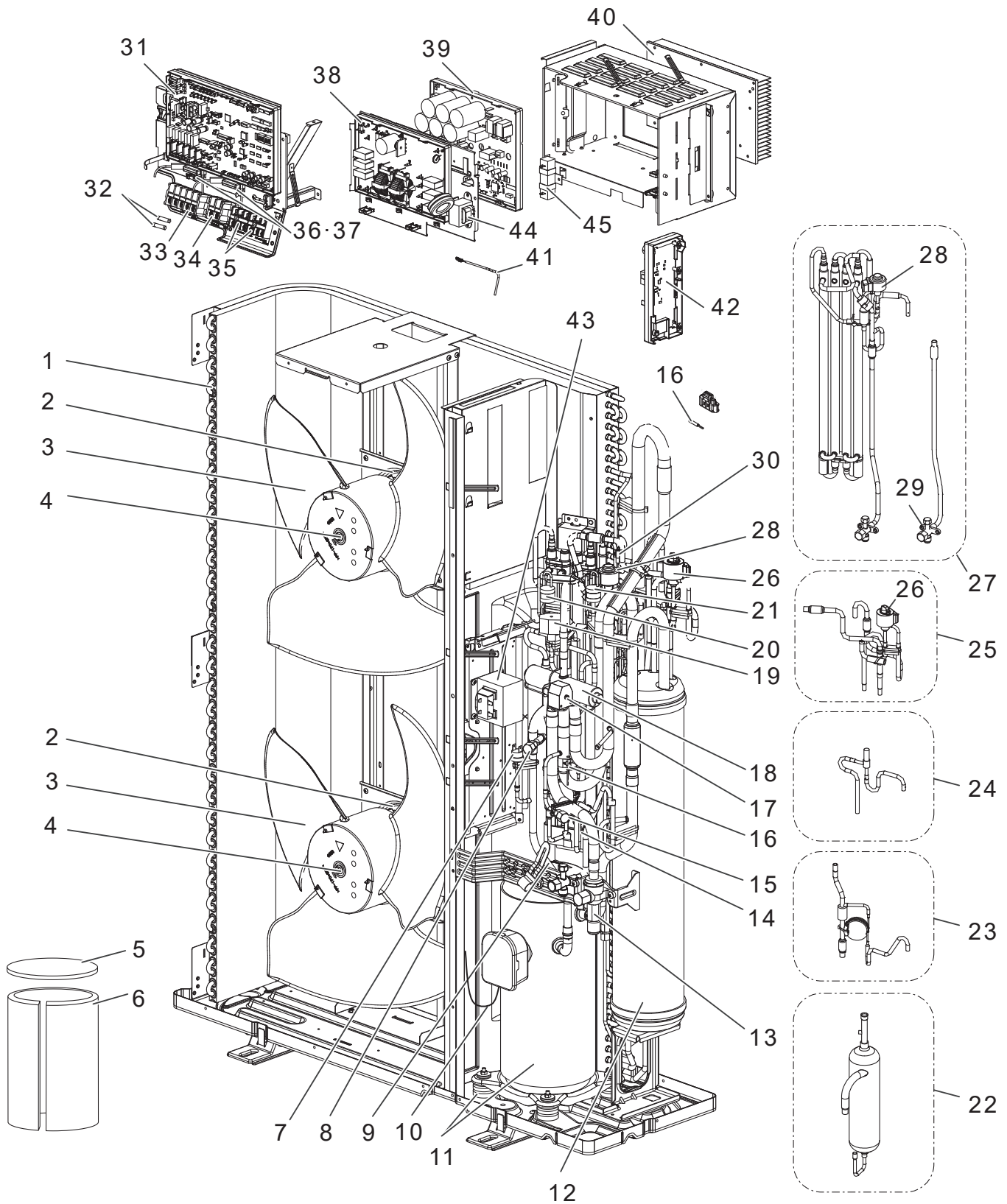
No.	Parts No.	Parts Name	PUMY-P112VKM6	PUMY-P112VKM6-ER	PUMY-P125VKM6	PUMY-P125VKM6-ER	PUMY-P140VKM6	PUMY-P140VKM6-ER	PUMY-P112VKM6-BS	PUMY-P112VKM6-ERBS	PUMY-P125VKM6-BS	PUMY-P125VKM6-ERBS	PUMY-P140VKM6-BS	PUMY-P140VKM6-ERBS	Wiring Diagram Symbol	Remarks
1	R01 R65 408	HEAT EXCHANGER	1	1	1	1	1	1	1	1	1	1	1	1		
2	R01 F03 221	FAN MOTOR	2	2	2	2	2	2	2	2	2	2	2	2	MF1, MF2	
3	R01 E16 115	PROPELLER FAN/D550	2	2	2	2	2	2	2	2	2	2	2	2		
4	R01 E16 097	CAP NUT (MEC) M6	2	2	2	2	2	2	2	2	2	2	2	2		
5	R01 A57 602	COMP FELT (TOP)	1	1	1	1	1	1	1	1	1	1	1	1		
6	T7W B07 602	COMP FELT-B/ANB33	1	1	1	1	1	1	1	1	1	1	1	1		
7	R01 U00 602	COMP FELT-U/ANB	1	1	1	1	1	1	1	1	1	1	1	1		
8	R01 H06 208	HIGH PRESSURE SWITCH	1	1	1	1	1	1	1	1	1	1	1	1	63H	
9	R01 E36 201	THERMISTOR/SHELL	1	1	1	1	1	1	1	1	1	1	1	1	TH4 (Compressor)	
10	R01 C11 510	LEAD ASSY COMP	1	1	1	1	1	1	1	1	1	1	1	1		
11	T97 477 077	COMPRESSOR	1	1	1	1	1	1	1	1	1	1	1	1	MC	ANB33FNHMT Includes RUBBER MOUNT
12	R01 E84 440	ACCUMULATOR	1	1	1	1	1	1	1	1	1	1	1	1		
13	R01 E16 411	BALL VALVE 5/8F	1	1	1	1	1	1	1	1	1	1	1	1		Includes STRAINER
14	R01 M30 202	THERMISTOR	1	1	1	1	1	1	1	1	1	1	1	1	TH2	
15	R01 E29 413	CHARGE PLUG/LB54	1	1	1	1	1	1	1	1	1	1	1	1		
16	R01 SG0 413	CHARGE PLUG ASSY	1	1	1	1	1	1	1	1	1	1	1	1		
17	R01 M31 202	THERMISTOR W	1	1	1	1	1	1	1	1	1	1	1	1	TH6 (Suction Pipe) TH7 (Ambient)	Combined Port
18	T7W E96 242	SOLENOID COIL (21S4)	1	1	1	1	1	1	1	1	1	1	1	1	21S4	Includes SCREW
19	R01 E39 403	4WAY VALVE	1	1	1	1	1	1	1	1	1	1	1	1	21S4	
20	T7W H02 242	SOLENOID COIL (SV)	1	1	1	1	1	1	1	1	1	1	1	1	SV1	Includes SCREW
21	R01 E14 208	H.P.SENSOR	1	1	1	1	1	1	1	1	1	1	1	1	63HS	
22	R01 E04 209	LOW PRESSURE SENSOR	1	1	1	1	1	1	1	1	1	1	1	1	63LS	
23	R01 E16 490	OIL SEPARATOR	1	1	1	1	1	1	1	1	1	1	1	1		
24	R01 E02 426	CT ASSY	1	1	1	1	1	1	1	1	1	1	1	1		
25	R01 E19 428	SV1 ASSY	1	1	1	1	1	1	1	1	1	1	1	1	SV1	
26	R01 R27 401	LEV ASSY-A	1	1	1	1	1	1	1	1	1	1	1	1	LEV-A	Includes RESTRICTOR VALVE
27	R01 HR1 242	COIL (LEV)/XAP-5P WH	1	1	1	1	1	1	1	1	1	1	1	1	LEV-A	
28	R01 R28 401	LEV ASSY HIC	1	1	1	1	1	1	1	1	1	1	1	1	LEV-B	
29	R01 H58 242	COIL (LEV)/XAP-5P RED	1	1	1	1	1	1	1	1	1	1	1	1	LEV-B	
30	R01 E36 410	STOP VALVE ASSY-3/8F	1	1	1	1	1	1	1	1	1	1	1	1		
31	R01 H87 202	THERMISTOR	1	1	1	1	1	1	1	1	1	1	1	1	TH3	
32	R01 M24 350	CONTROLLER BOARD	1	1	1	1	1	1	1	1	1	1	1	1	MULTI.B.	
33	R01 E14 239	FUSE 6.3A 250V	2	2	2	2	2	2	2	2	2	2	2	2	F1, F2	
34	R01 E07 311	M-NET POWER BOARD	1	1	1	1	1	1	1	1	1	1	1	1	M-NET P.B.	
35	R01 M05 353	POWER BOARD	1	1	1	1	1	1	1	1	1	1	1	1	P.B.	
36	R01 A22 371	HEAT SINK	1	1	1	1	1	1	1	1	1	1	1	1		Includes SCREWS
37	R01 M13 202	THERMISTOR(HS)	1	1	1	1	1	1	1	1	1	1	1	1	TH8	
38	T7W P03 246	T.B./LNE+B1.B2	1	1	1	1	1	1	1	1	1	1	1	1	TB1	
39	R01 E27 246	T.B./M1.M2.S	2	2	2	2	2	2	2	2	2	2	2	2	TB3, TB7	
40	R01 E56 259	REACTOR	3	3	3	3	3	3	3	3	3	3	3	3	DCL	
41	R01 E20 239	FUSE 20A 250V	2	2	2	2	2	2	2	2	2	2	2	2	FUSE1, FUSE2	
42	R01 30L 241	FUSE HOLDER	2	2	2	2	2	2	2	2	2	2	2	2		

## 2-4. FUNCTIONAL PARTS

PUMY-P112YKM5  
 PUMY-P112YKM5-ER  
 PUMY-P112YKM5-BS  
 PUMY-P112YKM5-ERBS

PUMY-P125YKM5  
 PUMY-P125YKM5-ER  
 PUMY-P125YKM5-BS  
 PUMY-P125YKM5-ERBS

PUMY-P140YKM5  
 PUMY-P140YKM5-ER  
 PUMY-P140YKM5-BS  
 PUMY-P140YKM5-ERBS



1. The part quantity below indicates the required number of pieces per unit.
2. The circled No. indicates that the part is not shown in the figure.

No.	Parts No.			Parts Name	PUMY-P112YKM5	PUMY-P112YKM5-ER	PUMY-P125YKM5	PUMY-P125YKM5-ER	PUMY-P140YKM5	PUMY-P140YKM5-ER	PUMY-P112YKM5-BS	PUMY-P112YKM5-ERBS	PUMY-P125YKM5-BS	PUMY-P125YKM5-ERBS	PUMY-P140YKM5-BS	PUMY-P140YKM5-ERBS	Wiring Diagram Symbol	Remarks [Drawing No.]
					1	1	1	1	1	1	1	1	1	1	1	1		
1	R01	R65	408	HEAT EXCHANGER	1	1	1	1	1	1	1	1	1	1	1	1		
2	R01	F03	221	FAN MOTOR	2	2	2	2	2	2	2	2	2	2	2	2	MF1, MF2	
3	R01	E16	115	PROPELLER FAN/D550	2	2	2	2	2	2	2	2	2	2	2	2		
4	R01	E16	097	CAP NUT(MEC) M6	2	2	2	2	2	2	2	2	2	2	2	2		
5	R01	A57	602	COMP FELT(TOP)	1	1	1	1	1	1	1	1	1	1	1	1		
6	T7W	A08	602	COMP FELT(BODY)	1	1	1	1	1	1	1	1	1	1	1	1		
7	R01	H06	208	HIGH PRESSURE SWITCH	1	1	1	1	1	1	1	1	1	1	1	1	63H	
8	R01	E29	413	CHARGE PLUG/LB54	1	1	1	1	1	1	1	1	1	1	1	1		
9	R01	E36	201	THERMISTOR/SHELL	1	1	1	1	1	1	1	1	1	1	1	1	TH4 (Compressor)	
10	R01	H31	510	LEAD ASSY COMP	1	1	1	1	1	1	1	1	1	1	1	1		
11	T97	476	077	COMPRESSOR	1	1	1	1	1	1	1	1	1	1	1	1	MC	ANB33FNGMT Includes RUBBER MOUNT
12	R01	E84	440	ACCUMULATOR	1	1	1	1	1	1	1	1	1	1	1	1		
13	R01	E16	411	BALL VALVE 5/8F	1	1	1	1	1	1	1	1	1	1	1	1		Includes STRAINER
14	R01	M30	202	THERMISTOR	1	1	1	1	1	1	1	1	1	1	1	1	TH2 (HIC Pipe)	
15	R01	SG0	413	CHARGE PLUG ASSY	1	1	1	1	1	1	1	1	1	1	1	1		
16	R01	H98	202	THERMISTOR W	1	1	1	1	1	1	1	1	1	1	1	1	TH6 (Suction Pipe) TH7 (Ambient)	Combined Port
17	R01	H60	242	SOLENOID COIL(21S4)	1	1	1	1	1	1	1	1	1	1	1	1	21S4	Includes SCREW
18	R01	E39	403	4WAY VALVE	1	1	1	1	1	1	1	1	1	1	1	1	21S4	
19	T7W	H02	242	SOLENOID COIL(SV)	1	1	1	1	1	1	1	1	1	1	1	1	SV1	Includes SCREW
20	R01	E14	208	H.P.SENSOR	1	1	1	1	1	1	1	1	1	1	1	1	63HS	
21	R01	E04	209	LOW PRESSURE SENSOR	1	1	1	1	1	1	1	1	1	1	1	1	63LS	
22	R01	E16	490	OIL SEPARATOR	1	1	1	1	1	1	1	1	1	1	1	1		
23	R01	E02	426	CT ASSY	1	1	1	1	1	1	1	1	1	1	1	1		
24	R01	E19	428	SV1 ASSY	1	1	1	1	1	1	1	1	1	1	1	1	SV1	
25	R01	R27	401	LEV ASSY-A	1	1	1	1	1	1	1	1	1	1	1	1	LEV-A	Includes RESTRICTOR VALVE
26	R01	HR1	242	COIL(LEV)/XAP-5P WH	1	1	1	1	1	1	1	1	1	1	1	1	LEV-A	
27	R01	R28	401	LEV ASSY HIC	1	1	1	1	1	1	1	1	1	1	1	1	LEV-B	
28	R01	H58	242	COIL(LEV)/XAP-5P RED	1	1	1	1	1	1	1	1	1	1	1	1	LEV-B	
29	R01	E36	410	STOP VALVE ASSY-3/8F	1	1	1	1	1	1	1	1	1	1	1	1		
30	R01	H87	202	THERMISTOR	1	1	1	1	1	1	1	1	1	1	1	1	TH3	
31	R01	M24	350	CONTROLLER BOARD	1	1	1	1	1	1	1	1	1	1	1	1	MULTI.B.	
32	R01	E14	239	FUSE 6.3A 250V	2	2	2	2	2	2	2	2	2	2	2	2	F1, F2	
33	T7W	E30	716	T.B./L1.L2.L3.N.E	1	1	1	1	1	1	1	1	1	1	1	1	TB1	
34	T7W	E57	716	T.B./B1.B2	1	1	1	1	1	1	1	1	1	1	1	1	TB1B	
35	R01	E27	246	T.B./M1.M2.S	2	2	2	2	2	2	2	2	2	2	2	2	TB3, TB7	
36	R01	E20	239	FUSE 20A 250V	2	2	2	2	2	2	2	2	2	2	2	2	FUSE1, FUSE2	
37	R01	30L	241	FUSE HOLDER	2	2	2	2	2	2	2	2	2	2	2	2		
38	T7W	E36	346	NOISE FILTER	1	1	1	1	1	1	1	1	1	1	1	1	N.F.	
39	T7W	M02	323	POWER BOARD	1	1	1	1	1	1	1	1	1	1	1	1	P.B.	
40	R01	A24	371	HEAT SINK	1	1	1	1	1	1	1	1	1	1	1	1		Includes SCREWS
41	R01	M16	202	THERMISTOR(HS)	1	1	1	1	1	1	1	1	1	1	1	1	TH8 (Heat sink)	
42	R01	E07	311	M-NET POWER BOARD	1	1	1	1	1	1	1	1	1	1	1	1	M-NET P.B.	
43	T7W	E33	259	REACTOR	1	1	1	1	1	1	1	1	1	1	1	1	DCL	
44	R01	E31	259	REACTOR	1	1	1	1	1	1	1	1	1	1	1	1	ACL4	
45	R01	E10	233	RESISTOR	1	1	1	1	1	1	1	1	1	1	1	1	RS	

# 3 OPTIONAL PARTS

## 3-1. FOR OUTDOOR UNIT

Parts name	Parts No.
DRAIN SOCKET	PAC-SG61DS-E
AIR OUTLET GUIDE*1	PAC-SH96SG-E
AIR GUIDE*1	PAC-SH95AG-E
DRAIN PAN	PAC-SH97DP-E
2 BRANCH PIPE (Joint)	CMY-Y62-G-E
4 BRANCH PIPE (Joint)	CMY-Y64-G-E
8 BRANCH PIPE (Joint)	CMY-Y68-G-E
2-BRANCH PIPE (Joint) (In the case of using 2-branch boxes)*2	MSDD-50AR-E (flare)
	MSDD-50BR-E (brazing)
JOINT PIPE (Unit→Extension pipe)	PAC-SG73RJ-E (ø9.52 → ø12.7)
	PAC-SG75RJ-E (ø15.88 → ø19.05)
BASE HEATER	PAC-SJ20BH-E
CONNECTION KIT	PAC-LV11M-J
BRANCH BOX	PAC-MK34BC (Flare)
	PAC-MK54BC (Flare)
INSULATION KIT	PAC-INS01-E
FAN MOTOR (For high outdoor static pressure use)	PAC-SJ71FM-E

\*1 Need 2 pieces.

\*2 Select a joint according to the connection method.

## 3-2. FOR BRANCH BOX

Parts name	Parts No.
BRANCH BOX OUTER COVER (for outdoor installation)	PAC-AK350CVR-E
REACTOR BOX	PAC-RB01BC

### DIFFERENT-DIAMETER JOINT

#### Different-diameter joint (optional parts) (Fig.3-1)

Model name	Connected pipes diameter	Diameter A	Diameter B
	mm	mm	mm
PAC-493PI	ø6.35 → ø9.52	ø6.35	ø9.52
MAC-A454JP-E	ø9.52 → ø12.7	ø9.52	ø12.7
PAC-SG76RJ-E	ø9.52 → ø15.88	ø9.52	ø15.88
MAC-A455JP-E	ø12.7 → ø9.52	ø12.7	ø9.52
MAC-A456JP-E	ø12.7 → ø15.88	ø12.7	ø15.88

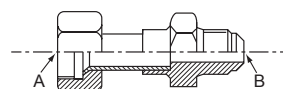


Fig.3-1

#### Conversion formula

1/4 inch	ø6.35 mm
3/8 inch	ø9.52 mm
1/2 inch	ø12.7 mm
5/8 inch	ø15.88 mm
3/4 inch	ø19.05 mm

**MITSUBISHI ELECTRIC CORPORATION**

HEAD OFFICE: TOKYO BUILDING, 2-7-3, MARUNOUCHI, CHIYODA-KU, TOKYO 100-8310, JAPAN