

SERVICE PARTS LIST FOR MITSUBISHI ELECTRIC PACKAGED AIR-CONDITIONERS

Series : PUHY-HP•Y(S)NW-A.TH

For use with the R410A

REVISED

June 2023

BWE02148A

INDEX

PUHY-HP200YNW-A.TH

PUHY-HP250YNW-A.TH

Part information update day : 2023/06/06

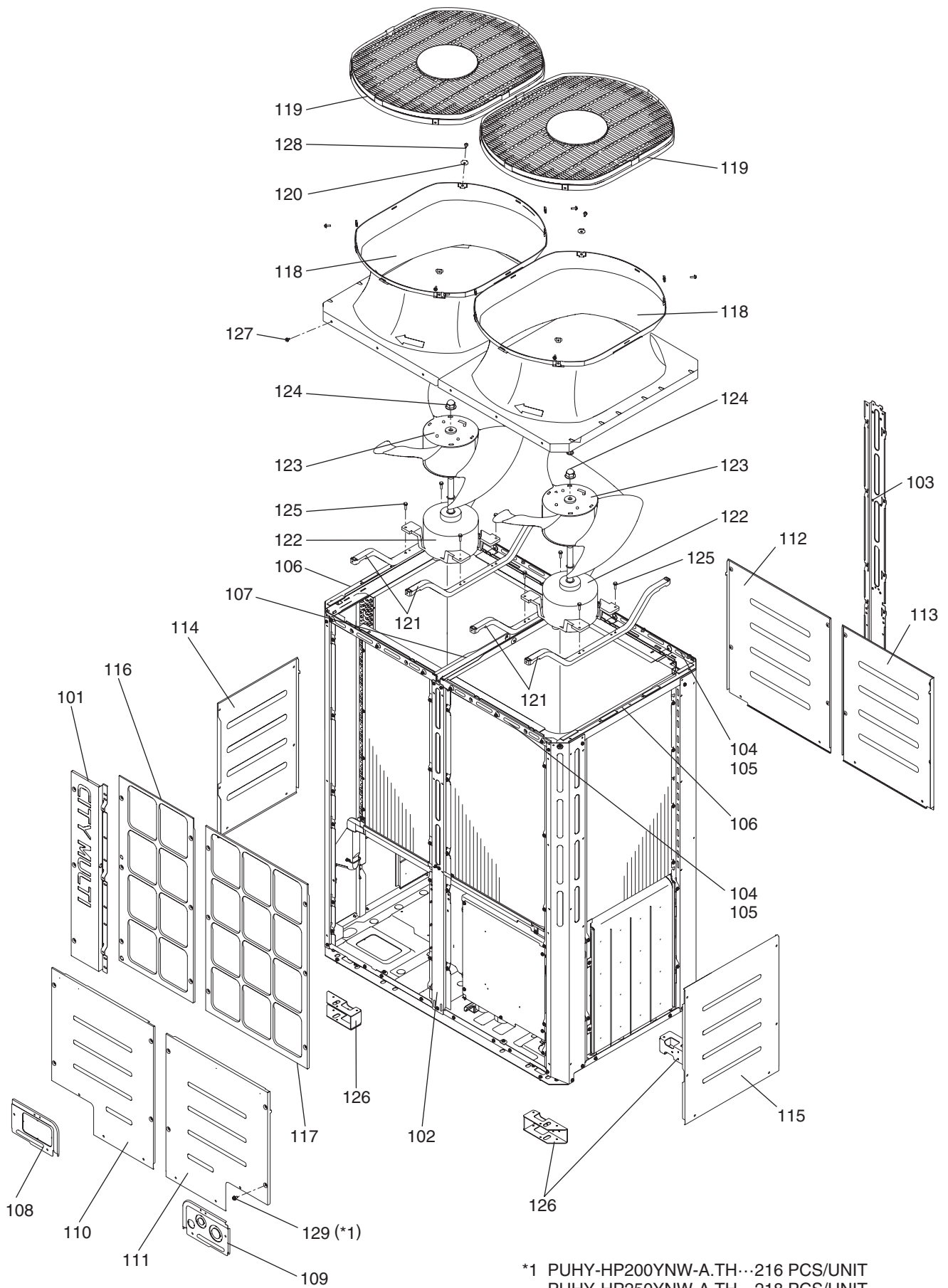
Please change the old catalog (issued Oct. 2021, No.BWE021480) to this new catalog.
Content of revision : Some of parts are changed.



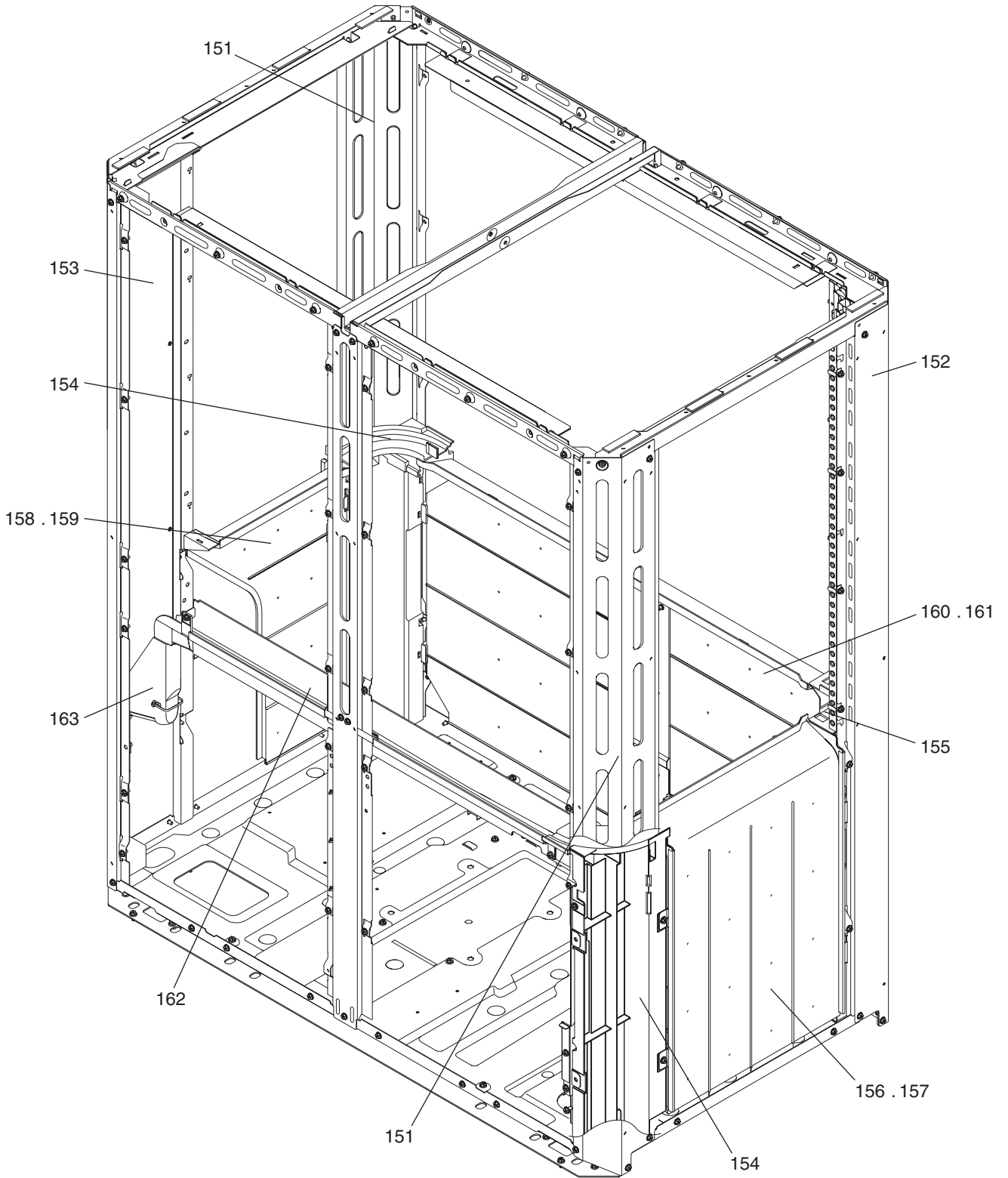
The Package name list

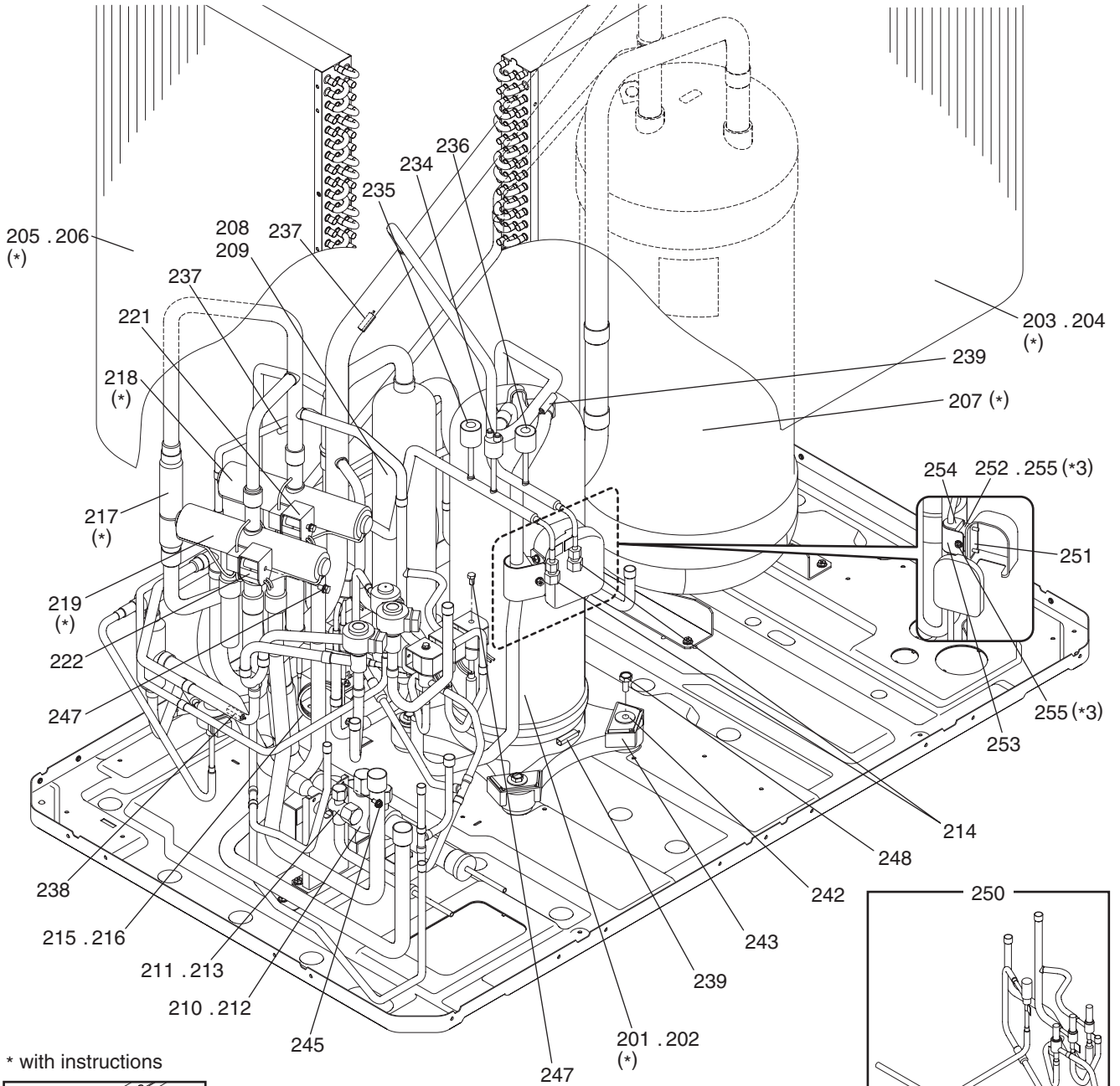
PUHY-HP400YSNW-A [PUHY-HP200YNW-A.TH+PUHY-HP200YNW-A.TH]

PUHY-HP500YSNW-A [PUHY-HP250YNW-A.TH+PUHY-HP250YNW-A.TH]

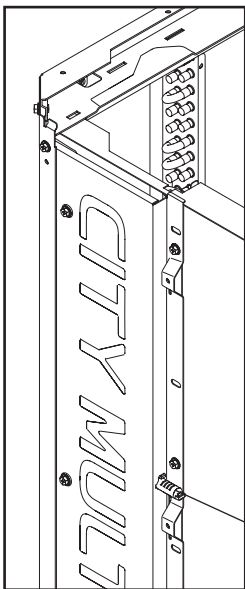


*1 PUHY-HP200YNW-A.TH...216 PCS/UNIT
 PUHY-HP250YNW-A.TH...218 PCS/UNIT



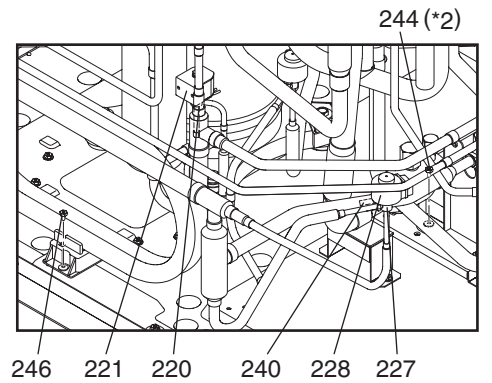
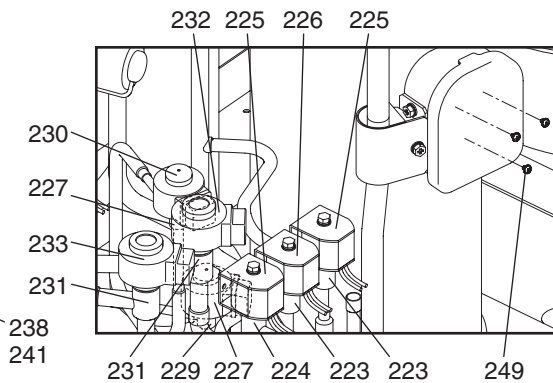
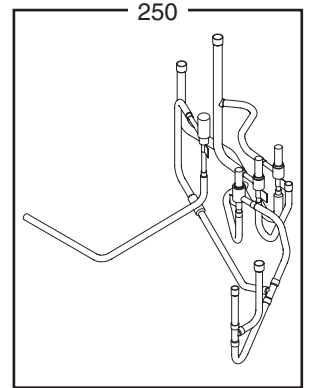


* with instructions

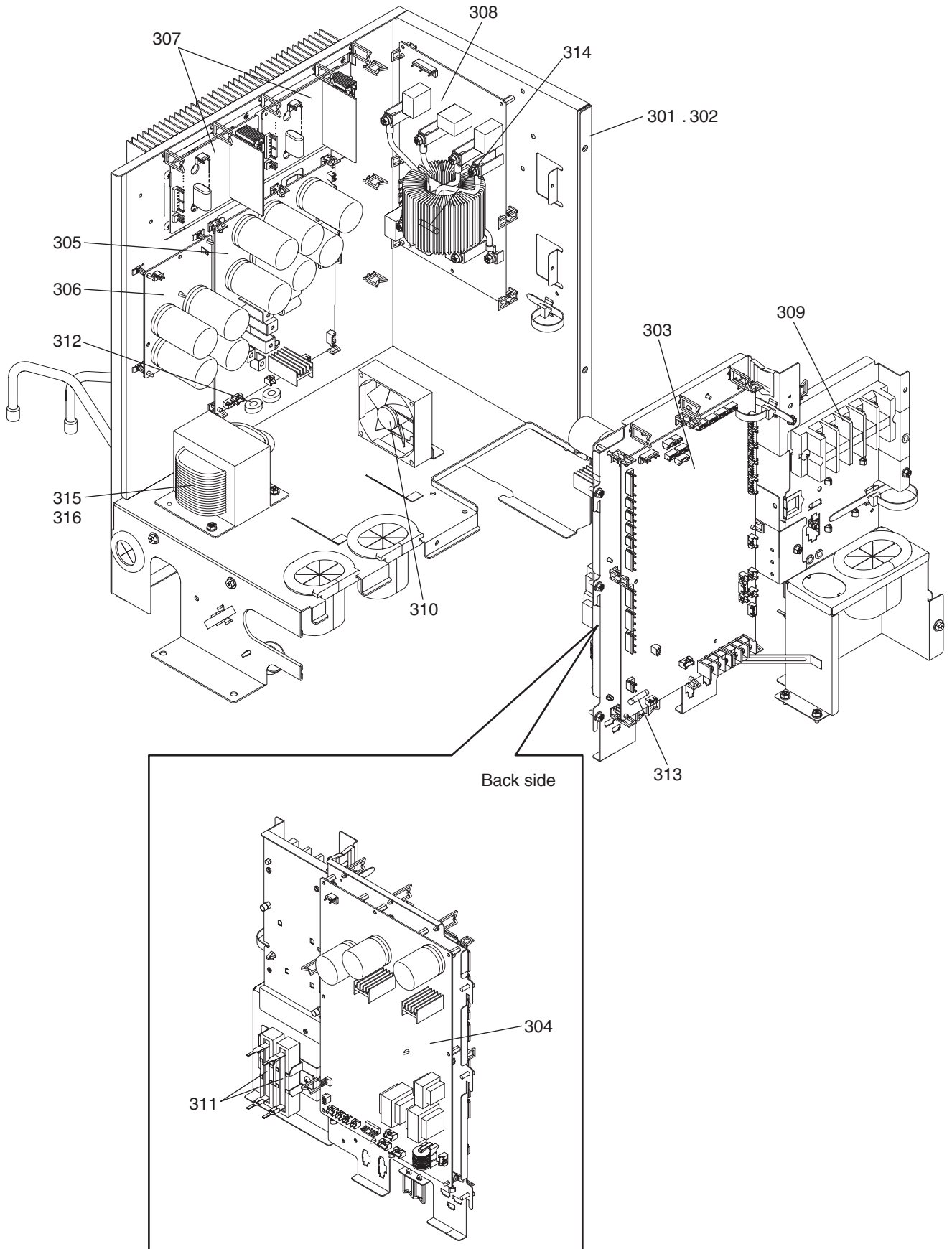


*2 PUHY-HP200YNW-A.TH...216PCS/UNIT
 PUHY-HP250YNW-A.TH...218PCS/UNIT

*3 PUHY-HP200,HP250YNW-A.TH...11PCS/UNIT



No.	Part No.	Part Name	Spec.	PUHY-HP200YNW-A.TH	PUHY-HP250YNW-A.TH					Dwg. No.	Notes for the models	Revision info.
201	E27 T66 900	Compressor SP kit	HNK68FB-YET	1						KJ00K987G44	*	
202	E27 T67 900	Compressor SP kit	HNK97FB-YE-C		1					KJ00K987G45	*	
203	E27 W93 630	Outdoor heat exchanger	2L F	1						KJ00K987G65	*	
204	E27 W94 630	Outdoor heat exchanger	3L F		1					KJ00K987G67	*	
205	E27 R15 630	Outdoor heat exchanger	2L R	1						KJ00K987G69	*	
206	E27 R21 630	Outdoor heat exchanger	3L R		1					KJ00K987G71	*	
207	E27 25K 932	Accumulator		1	1					KJ00M808B73	*	
208	E27 R13 299	Oil separator		1						KL00L033G02		
209	E27 J44 299	Oil separator			1					KS00G735G02		
210	E27 25K 661	Ball valve	FQ-115-DN25	1	1					KR50C726H01	<BV1>	
211	E27 J47 662	Valve	FSV-JA4GME-6	1	1					KR50C376H01	<BV2>	
212	E27 J47 933	Strainer	28.6D	1	1					KR48C381H01	<ST1>	
213	E27 622 933	Strainer	19.05D	1	1					KB53S159G01	<ST2>	
214	E27 J44 643	Check joint	R410A	2	2					KR50C388H01	<CJ1,CJ2>	
215	E27 622 936	Capillary tube		1						KB49S267G01	<CP1>	
216	E27 A63 936	Capillary tube			1					KD49M579G01	<CP1>	
217	E27 R13 642	Check valve 1 SP kit		1	1					KJ00K987G85	<CV1>*	
218	E27 R14 961	Four way valve A SP kit		1	1					KJ00K987G88	<21S4a>*	
219	E27 R15 961	Four way valve B SP kit		1	1					KJ00K987G89	<21S4b>*	
220	E27 981 492	Solenoid valve	FDF2A77	1	1					KR50D126H01	<SV1a>	
221	E27 J48 490	Solenoid valve coil		1	1					KS00L586G04	<21S4a,SV1a>	
222	E27 J49 490	Solenoid valve coil		1	1					KJ00F204G04	<21S4b>	
223	E27 J44 492	Solenoid valve	FDF4A10	2	2					KR50C371H01	<SV2,SV10>	
224	E27 J45 492	Solenoid valve	FDF6A58	1	1					KR50C440H01	<SV9>	
225	E27 J71 490	Solenoid valve coil		1	1					KS00L587G04	<SV2,SV9>	
226	E27 J72 490	Solenoid valve coil		1	1					KJ00F205G03	<SV10>	
227	E27 A59 640	Linear expansion valve	CAM-B35YGMDTH-2T	3	3					KR50C700H01	<LEV1,LEV4,LEV9>	
228	E27 J44 493	Solenoid valve coil	CAM-MD12MD-125	1	1					KJ00H713G01	<LEV1>	
229	E27 R33 493	Solenoid valve coil	CAM-MD12MD-128	1	1					KJ00K989G01	<LEV4>	
230	E27 J45 493	Solenoid valve coil	CAM-MD12MD-126	1	1					KJ00H717G01	<LEV9>	
231	E27 624 640	Linear expansion valve	PAM-BBOYGMD-2	2	2					KR50C486H01	<LEV2a,LEV2b>	
232	E27 J51 493	Solenoid valve coil	PAM-MD12MD-17	1	1					KJ00H714G01	<LEV2a>	
233	E27 J52 493	Solenoid valve coil	PAM-MD12MD-18	1	1					KJ00H715G01	<LEV2b>	
234	E27 J44 646	Pressure switch		1	1					KD00K089G06	<63H1>	
235	E27 J46 646	Pressure sensor	NSK-BH042D-501	1	1					KJ00H708G07	<63HS1>	
236	E27 J44 647	Pressure sensor	NSK-BH017D-505	1	1					KJ00H708G08	<63LS1>	
237	E27 J47 307	Thermistor	PXM-41E-M105-01Y	1	1					KS00L588G02	<TH2,TH5>	
238	E27 J48 307	Thermistor	PXM-41E-M105-01Y	1	1					KS00L589G03	<TH3,TH7>	
239	E27 W93 307	Thermistor	PX2M-56D-M2,PXM-41E-M105-01Y	1	1					KS00L590G05	<TH4,TH15>	
240	E27 J71 307	Thermistor	PXM-41E-M105-01Y	1	1					KJ00F208G02	<TH6>	
241	E27 622 241	Sensor holder		1	1					KB25J374G01	<TH7>	
242	E27 622 506	Comp.rubber mount set	4 Rubbers/SET	4	4					KB31S115H01		
243	E27 R13 534	Attachment (HH)		2	2					KJ00F713G01		
244	E27 623 250	Screw	M5 x 10 KNURLED	20	20					KB12S216H01	*2	
245	E27 630 250	Screw	M5 x 14 KNURLED	10	10					KB12S216H02	10PCS/UNIT	



Notice: Consult your service agency when the wiring needs to be replaced.
(Replacing wiring will take about 2 months.)

mitsubishi
electric
corporation

BWE02148A (20230630)