

SERVICE PARTS LIST FOR MITSUBISHI ELECTRIC PACKAGED AIR-CONDITIONERS

Series : PUCY-(E)P•Y(S)KA.TH(-BS)
PUCY-(E)P•Y(S)KA.TH-T

For use with the R410A

REVISED

Nov. 2023

BWE01325C

INDEX

PUCY-P200YKA.TH(-BS)
PUCY-P250YKA.TH(-BS)
PUCY-P300YKA.TH(-BS)
PUCY-P350YKA.TH(-BS)
PUCY-P400YKA.TH(-BS)
PUCY-P450YKA.TH(-BS)
PUCY-P500YKA.TH(-BS)
PUCY-P200YKA.TH-T
PUCY-P250YKA.TH-T
PUCY-P300YKA.TH-T
PUCY-P350YKA.TH-T
PUCY-P400YKA.TH-T
PUCY-P450YKA.TH-T
PUCY-P500YKA.TH-T

Refer to the next page for the package names.

Part information update day : 2023/11/10

Please change the old catalog (issued Apr. 2015, No.BWE01325B) to this new catalog.
Content of revision : Some of parts are changed.



The Package name list

PUCY-P550YSKA(-BS) [PUCY-P250YKA.TH(-BS)+PUCY-P300YKA.TH(-BS)]

PUCY-P600YSKA(-BS) [PUCY-P250YKA.TH(-BS)+PUCY-P350YKA.TH(-BS)]

PUCY-P650YSKA(-BS) [PUCY-P250YKA.TH(-BS)+PUCY-P400YKA.TH(-BS)]

PUCY-P700YSKA(-BS) [PUCY-P250YKA.TH(-BS)+PUCY-P450YKA.TH(-BS)]

PUCY-P750YSKA(-BS) [PUCY-P300YKA.TH(-BS)+PUCY-P450YKA.TH(-BS)]

PUCY-P800YSKA(-BS) [PUCY-P400YKA.TH(-BS)+PUCY-P400YKA.TH(-BS)]

PUCY-P850YSKA(-BS) [PUCY-P400YKA.TH(-BS)+PUCY-P450YKA.TH(-BS)]

PUCY-P900YSKA(-BS) [PUCY-P450YKA.TH(-BS)+PUCY-P450YKA.TH(-BS)]

PUCY-P950YSKA(-BS) [PUCY-P450YKA.TH(-BS)+PUCY-P500YKA.TH(-BS)]

PUCY-P1000YSKA(-BS) [PUCY-P500YKA.TH(-BS)+PUCY-P500YKA.TH(-BS)]

PUCY-P1050YSKA(-BS) [PUCY-P300YKA.TH(-BS)+PUCY-P300YKA.TH(-BS)+PUCY-P450YKA.TH(-BS)]

PUCY-P1100YSKA(-BS) [PUCY-P300YKA.TH(-BS)+PUCY-P350YKA.TH(-BS)+PUCY-P450YKA.TH(-BS)]

PUCY-P1150YSKA(-BS) [PUCY-P350YKA.TH(-BS)+PUCY-P400YKA.TH(-BS)+PUCY-P400YKA.TH(-BS)]

PUCY-P1200YSKA(-BS) [PUCY-P400YKA.TH(-BS)+PUCY-P400YKA.TH(-BS)+PUCY-P400YKA.TH(-BS)]

PUCY-P1250YSKA(-BS) [PUCY-P400YKA.TH(-BS)+PUCY-P400YKA.TH(-BS)+PUCY-P450YKA.TH(-BS)]

PUCY-P1300YSKA(-BS) [PUCY-P400YKA.TH(-BS)+PUCY-P450YKA.TH(-BS)+PUCY-P450YKA.TH(-BS)]

PUCY-P1350YSKA(-BS) [PUCY-P450YKA.TH(-BS)+PUCY-P450YKA.TH(-BS)+PUCY-P450YKA.TH(-BS)]

PUCY-EP400YSKA(-BS) [PUCY-P200YKA.TH(-BS)+PUCY-P200YKA.TH(-BS)]

PUCY-EP450YSKA(-BS) [PUCY-P200YKA.TH(-BS)+PUCY-P250YKA.TH(-BS)]

PUCY-EP500YSKA(-BS) [PUCY-P250YKA.TH(-BS)+PUCY-P250YKA.TH(-BS)]

PUCY-EP650YSKA(-BS) [PUCY-P300YKA.TH(-BS)+PUCY-P350YKA.TH(-BS)]

PUCY-EP700YSKA(-BS) [PUCY-P350YKA.TH(-BS)+PUCY-P350YKA.TH(-BS)]

PUCY-EP750YSKA(-BS) [PUCY-P200YKA.TH(-BS)+PUCY-P200YKA.TH(-BS)+PUCY-P350YKA.TH(-BS)]

PUCY-EP800YSKA(-BS) [PUCY-P200YKA.TH(-BS)+PUCY-P250YKA.TH(-BS)+PUCY-P350YKA.TH(-BS)]

PUCY-EP850YSKA(-BS) [PUCY-P250YKA.TH(-BS)+PUCY-P250YKA.TH(-BS)+PUCY-P350YKA.TH(-BS)]

PUCY-EP900YSKA(-BS) [PUCY-P250YKA.TH(-BS)+PUCY-P300YKA.TH(-BS)+PUCY-P350YKA.TH(-BS)]

PUCY-EP950YSKA(-BS) [PUCY-P300YKA.TH(-BS)+PUCY-P300YKA.TH(-BS)+PUCY-P350YKA.TH(-BS)]

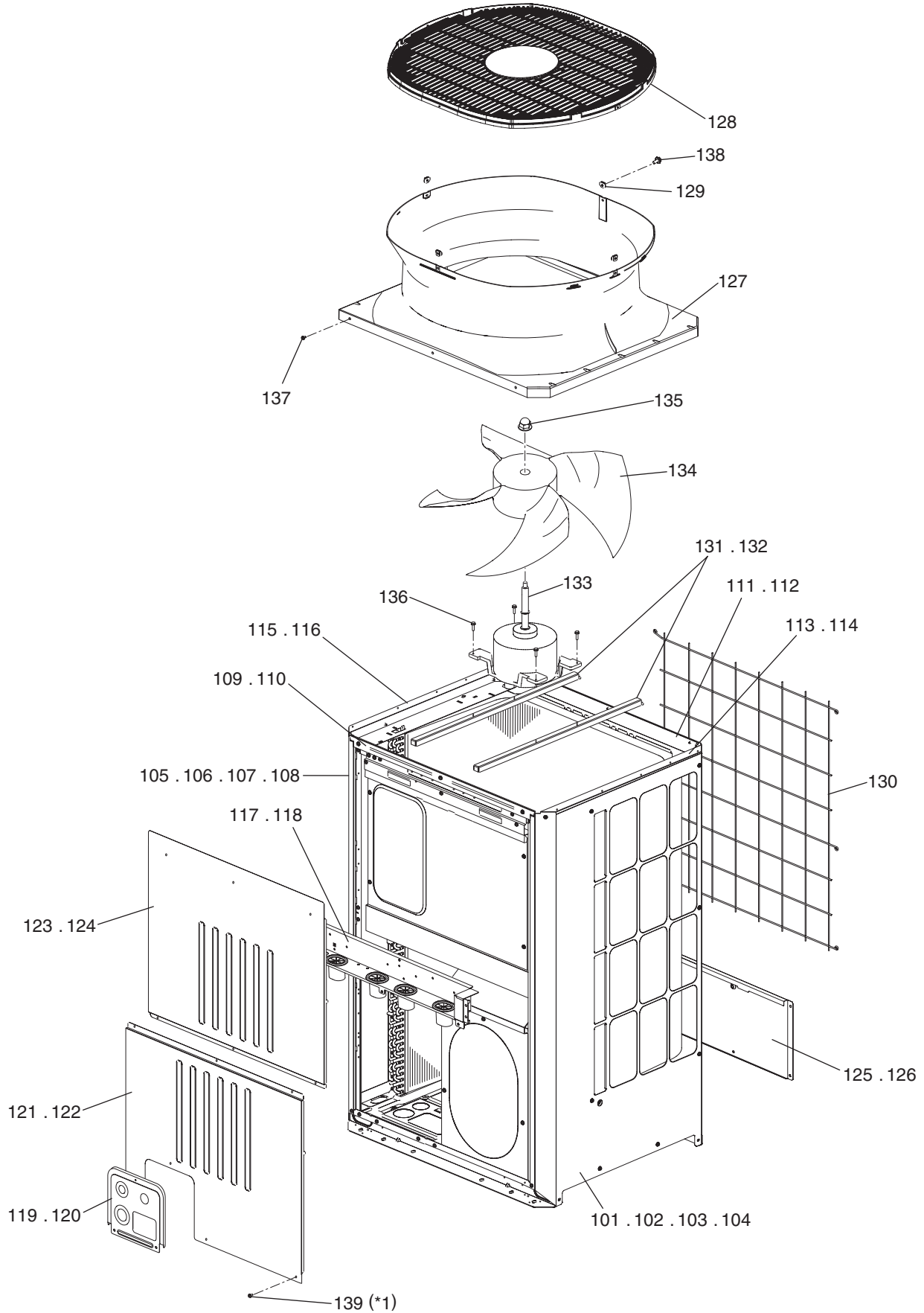
PUCY-EP1000YSKA(-BS) [PUCY-P300YKA.TH(-BS)+PUCY-P350YKA.TH(-BS)+PUCY-P350YKA.TH(-BS)]

PUCY-EP1050YSKA(-BS) [PUCY-P350YKA.TH(-BS)+PUCY-P350YKA.TH(-BS)+PUCY-P350YKA.TH(-BS)]

PUCY-EP1100YSKA(-BS) [PUCY-P350YKA.TH(-BS)+PUCY-P350YKA.TH(-BS)+PUCY-P400YKA.TH(-BS)]

PUCY-P200,P250,P300YKA.TH
PUCY-P200,P250,P300YKA.TH-BS
PUCY-P200,P250,P300YKA.TH-T

EXTERNAL PARTS & BLOWER PARTS (1)



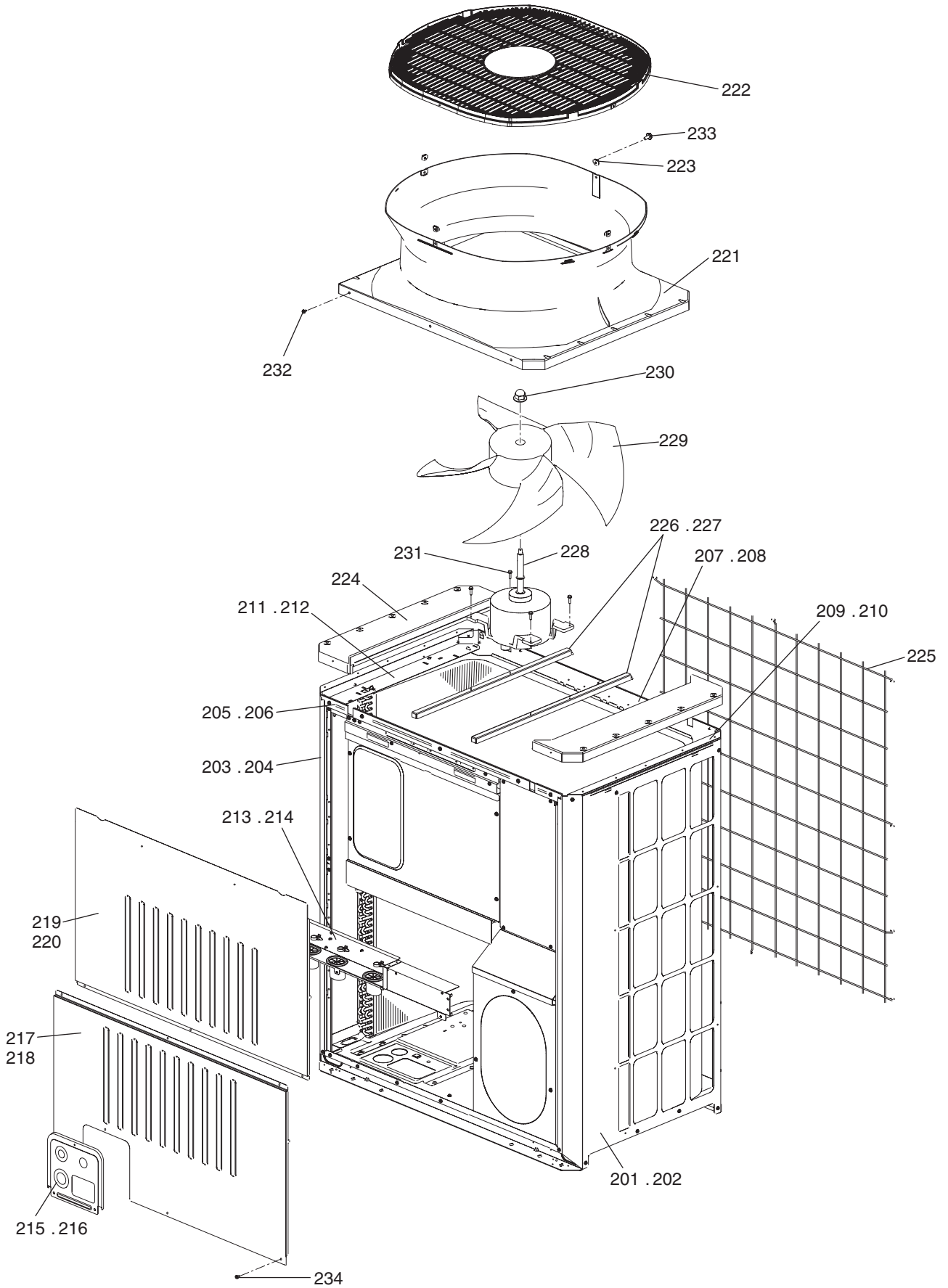
*1 PUCY-P200YKA.TH(-BS),PUCY-P200YKA.TH-T...100 PCS/UNIT
PUCY-P250YKA.TH(-BS),PUCY-P250YKA.TH-T...101 PCS/UNIT
PUCY-P300YKA.TH(-BS),PUCY-P300YKA.TH-T...103 PCS/UNIT

No.	Part No.	Part Name	Spec.	PUCY-P200YKA.TH	PUCY-P200YKA.TH-BS	PUCY-P250YKA.TH	PUCY-P250YKA.TH-BS	PUCY-P300YKA.TH	PUCY-P300YKA.TH-BS	Dwg. No.	Notes for the models	Revision info.
101	E27 981 085	Panel R		1		1				KJ00C587G19		Chg.
102	E27 989 085	Panel R	BS		1		1			KJ00C587G20		Chg.
103	E27 983 085	Panel R						1		KJ00C587G21		Chg.
104	E27 991 085	Panel R	BS						1	KJ00C587G22		Chg.
105	E27 981 086	Panel L		1		1				KJ00C586G19		Chg.
106	E27 989 086	Panel L	BS		1		1			KJ00C586G20		Chg.
107	E27 983 086	Panel L						1		KJ00C586G21		Chg.
108	E27 991 086	Panel L	BS						1	KJ00C586G22		Chg.
109	E27 981 256	Frame F		1		1		1		KB02N696G01		
110	E27 989 256	Frame F	BS		1		1		1	KJ00C611G01		
111	E27 981 255	Frame assy B		1		1		1		KJ00C608G01		
112	E27 989 255	Frame assy B	BS		1		1		1	KJ00C608G02		
113	E27 A59 254	Frame assy LR		1		1		1		KB02N702G03		Chg.
114	E27 A66 254	Frame assy LR	BS		1		1		1	KB02N702G04		Chg.
115	E27 A59 253	Frame assy L		1		1		1		KJ00L906G01		Chg.
116	E27 A66 253	Frame assy L	BS		1		1		1	KJ00L906G02		Chg.
117	E27 981 257	Frame assy M		1		1		1		KJ00C636G01		
118	E27 989 257	Frame assy M	BS		1		1		1	KJ00C636G02		
119	E27 630 910	Pipe cover		1		1		1		KB00P794G01		
120	E27 631 910	Pipe cover	BS		1		1		1	KB00P794G02		
121	E27 982 232	Panel FB		1		1		1		KJ00C665G03		Chg.
122	E27 990 232	Panel FB	BS		1		1		1	KJ00C665G04		Chg.
123	E27 981 232	Panel FU		1		1		1		KJ00C664G03		Chg.
124	E27 989 232	Panel FU	BS		1		1		1	KJ00C664G04		Chg.
125	E27 983 232	Panel B		1		1		1		KJ00C670G05		Chg.
126	E27 991 232	Panel B	BS		1		1		1	KJ00C670G06		Chg.
127	E27 981 509	Bell mouth		1	1	1	1	1	1	KB25A620G01		
128	E27 981 521	Fan guard		1	1	1	1	1	1	KB25A623G03		
129	E27 981 810	Plate fanguard		4	4	4	4	4	4	KD02K443G01		
130	E27 981 523	Fin guard B		1	1	1	1	1	1	KB07N805G01		
131	E27 981 290	Fan stand		2		2		2		KD02K465G01		
132	E27 989 290	Fan stand	BS		2		2		2	KD00K588G01		
133	E27 981 301	Outdoor fan motor	L-MW-920-B4-1	1	1	1	1	1	1	KR61C257H02		Chg.
134	E27 622 301	Propeller fan		1	1	1	1	1	1	KB25A284H02		Chg.
135	E27 622 508	Cap nut	M12	1	1	1	1	1	1	KB12S220H02		
136	E27 982 250	Screw upset	M6 x 22	10	10	10	10	10	10	KB12S261H02	4PCS/UNIT	
137	E27 633 250	Screw	M5 x 12	20	20	20	20	20	20	KB12S217H01	12PCS/UNIT	
138	E27 983 250	Screw	M5 x 16	10	10	10	10	10	10	KB12S217H02	4PCS/UNIT	
139	E27 623 250	Screw	M5 x 10 KNURLED	20	20	20	20	20	20	KB12S216H01	*1	

No.	Part No.	Part Name	Spec.	PUCY-P200YKA.TH-T	PUCY-P250YKA.TH-T	PUCY-P300YKA.TH-T				Dwg. No.	Notes for the models	Revision info.
101	E27 981 085	Panel R		1	1					KJ00C587G19		Chg.
102	E27 989 085	Panel R	BS							KJ00C587G20		Chg.
103	E27 983 085	Panel R				1				KJ00C587G21		Chg.
104	E27 991 085	Panel R	BS							KJ00C587G22		Chg.
105	E27 981 086	Panel L		1	1					KJ00C586G19		Chg.
106	E27 989 086	Panel L	BS							KJ00C586G20		Chg.
107	E27 983 086	Panel L				1				KJ00C586G21		Chg.
108	E27 991 086	Panel L	BS							KJ00C586G22		Chg.
109	E27 981 256	Frame F		1	1	1				KB02N696G01		
110	E27 989 256	Frame F	BS							KJ00C611G01		
111	E27 981 255	Frame assy B		1	1	1				KJ00C608G01		
112	E27 989 255	Frame assy B	BS							KJ00C608G02		
113	E27 A59 254	Frame assy LR		1	1	1				KB02N702G03		Chg.
114	E27 A66 254	Frame assy LR	BS							KB02N702G04		Chg.
115	E27 A59 253	Frame assy L		1	1	1				KJ00L906G01		Chg.
116	E27 A66 253	Frame assy L	BS							KJ00L906G02		Chg.
117	E27 981 257	Frame assy M		1	1	1				KJ00C636G01		
118	E27 989 257	Frame assy M	BS							KJ00C636G02		
119	E27 630 910	Pipe cover		1	1	1				KB00P794G01		
120	E27 631 910	Pipe cover	BS							KB00P794G02		
121	E27 982 232	Panel FB		1	1	1				KJ00C665G03		Chg.
122	E27 990 232	Panel FB	BS							KJ00C665G04		Chg.
123	E27 981 232	Panel FU		1	1	1				KJ00C664G03		Chg.
124	E27 989 232	Panel FU	BS							KJ00C664G04		Chg.
125	E27 983 232	Panel B		1	1	1				KJ00C670G05		Chg.
126	E27 991 232	Panel B	BS							KJ00C670G06		Chg.
127	E27 981 509	Bell mouth		1	1	1				KB25A620G01		
128	E27 981 521	Fan guard		1	1	1				KB25A623G03		
129	E27 981 810	Plate fanguard		4	4	4				KD02K443G01		
130	E27 981 523	Fin guard B		1	1	1				KB07N805G01		
131	E27 981 290	Fan stand		2	2	2				KD02K465G01		
132	E27 989 290	Fan stand	BS							KD00K588G01		
133	E27 981 301	Outdoor fan motor	L-MW-920-B4-1	1	1	1				KR61C257H02		Chg.
134	E27 622 301	Propeller fan		1	1	1				KB25A284H02		Chg.
135	E27 622 508	Cap nut	M12	1	1	1				KB12S220H02		
136	E27 982 250	Screw upset	M6 x 22	10	10	10				KB12S261H02	4PCS/UNIT	
137	E27 633 250	Screw	M5 x 12	20	20	20				KB12S217H01	12PCS/UNIT	
138	E27 983 250	Screw	M5 x 16	10	10	10				KB12S217H02	4PCS/UNIT	
139	E27 623 250	Screw	M5 x 10 KNURLED	20	20	20				KB12S216H01	*1	

PUCY-P350,P400,P450YKA.TH
PUCY-P350,P400,P450YKA.TH-BS
PUCY-P350,P400,P450YKA.TH-T

EXTERNAL PARTS & BLOWER PARTS (2)

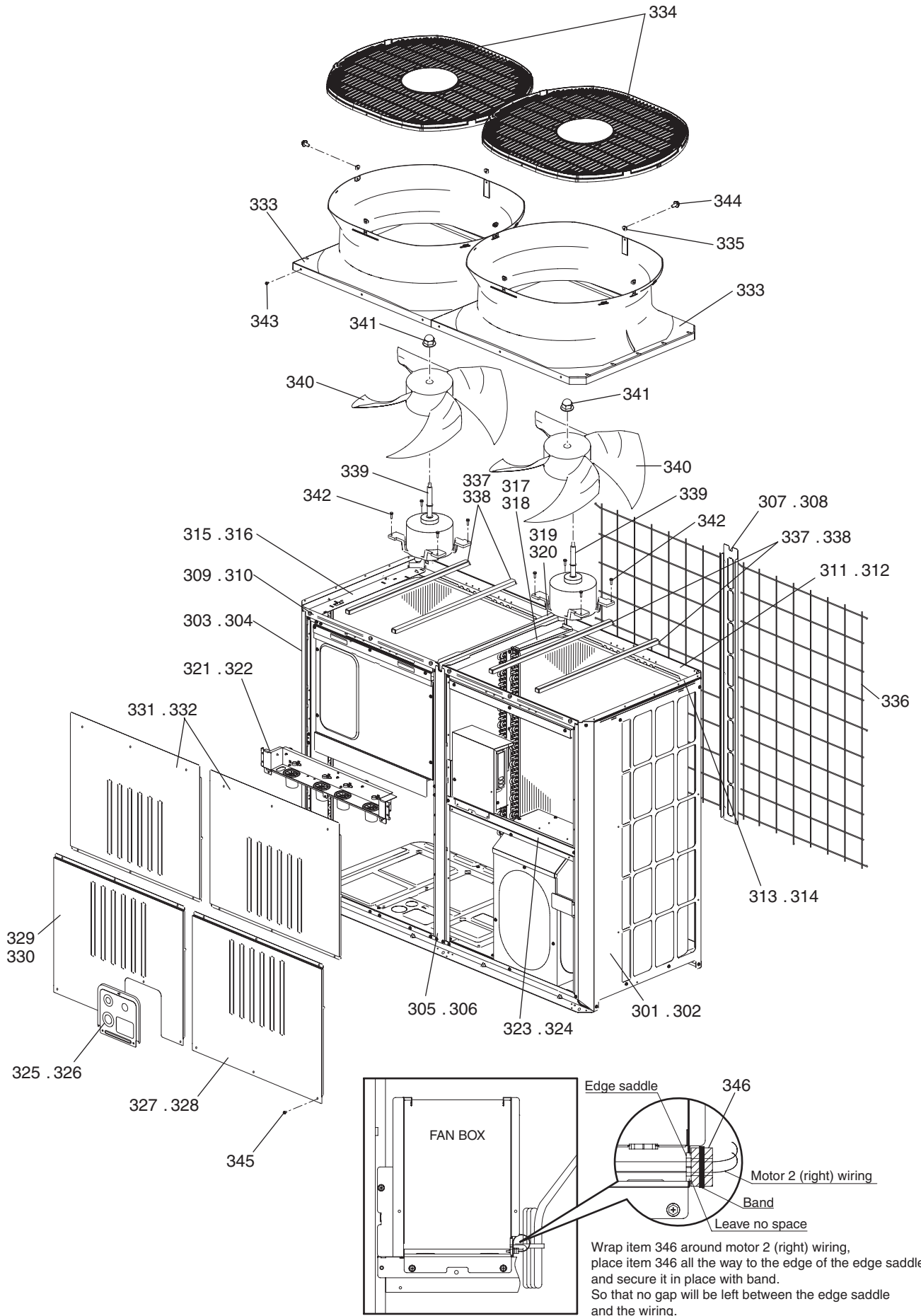


PUCY-P350,P400,P450YKA.TH
PUCY-P350,P400,P450YKA.TH-BS
PUCY-P350,P400,P450YKA.TH-T

EXTERNAL PARTS & BLOWER PARTS (2)

No.	Part No.	Part Name	Spec.	PUCY-P350YKA.TH	PUCY-P350YKA.TH-BS	PUCY-P400YKA.TH	PUCY-P400YKA.TH-BS	PUCY-P450YKA.TH	PUCY-P450YKA.TH-BS	Dwg. No.	Notes for the models	Revision info.
201	E27 984 085	Panel R		1		1		1		KJ00C589G06		Chg.
202	E27 A59 085	Panel R	BS		1		1		1	KJ00C589G07		Chg.
203	E27 984 086	Panel L		1		1		1		KJ00C588G06		Chg.
204	E27 A59 086	Panel L	BS		1		1		1	KJ00C588G07		Chg.
205	E27 984 256	Frame F		1		1		1		KB02N697G01		
206	E27 992 256	Frame F	BS		1		1		1	KJ00C612G01		
207	E27 984 255	Frame assy B		1		1		1		KJ00C609G03		
208	E27 992 255	Frame assy B	BS		1		1		1	KJ00C609G04		
209	E27 A59 254	Frame assy LR		1		1		1		KJ00L905G01		Chg.
210	E27 A66 254	Frame assy LR	BS		1		1		1	KJ00L905G02		Chg.
211	E27 A59 253	Frame assy L		1		1		1		KJ00L906G01		Chg.
212	E27 A66 253	Frame assy L	BS		1		1		1	KJ00L906G02		Chg.
213	E27 984 257	Frame assy M		1		1		1		KJ00C637G01		
214	E27 992 257	Frame assy M	BS		1		1		1	KJ00C637G02		
215	E27 630 910	Pipe cover		1		1		1		KB00P794G01		
216	E27 631 910	Pipe cover	BS		1		1		1	KB00P794G02		
217	E27 985 232	Panel FB		1		1		1		KJ00C667G03		Chg.
218	E27 993 232	Panel FB	BS		1		1		1	KJ00C667G04		Chg.
219	E27 984 232	Panel FU		1		1		1		KJ00C666G03		Chg.
220	E27 992 232	Panel FU	BS		1		1		1	KJ00C666G04		Chg.
221	E27 981 509	Bell mouth		1	1	1	1	1	1	KB25A620G01		
222	E27 981 521	Fan guard		1	1	1	1	1	1	KB25A623G03		
223	E27 981 810	Plate fanguard		4	4	4	4	4	4	KD02K443G01		
224	E27 984 532	Cover fanguard		2	2	2	2	2	2	KJ00G367G01		
225	E27 984 523	Fin guard B		1	1	1	1	1	1	KB07N807G01		
226	E27 981 290	Fan stand		2		2		2		KD02K465G01		
227	E27 989 290	Fan stand	BS		2		2		2	KD00K588G01		
228	E27 981 301	Outdoor fan motor	L-MW-920-B4-1	1	1	1	1	1	1	KR61C257H02		Chg.
229	E27 622 501	Propeller fan		1	1	1	1	1	1	KB25A284H02		Chg.
230	E27 622 508	Cap nut	M12	1	1	1	1	1	1	KB12S220H02		
231	E27 982 250	Screw upset	M6 x 22	10	10	10	10	10	10	KB12S261H02	4PCS/UNIT	
232	E27 633 250	Screw	M5 x 12	20	20	20	20	20	20	KB12S217H01	20PCS/UNIT	
233	E27 983 250	Screw	M5 x 16	10	10	10	10	10	10	KB12S217H02	4PCS/UNIT	
234	E27 623 250	Screw	M5 x 10 KNURLED	20	20	20	20	20	20	KB12S216H01	92PCS/UNIT	

No.	Part No.	Part Name	Spec.	PUCY-P350YKA.TH-T	PUCY-P400YKA.TH-T	PUCY-P450YKA.TH-T					Dwg. No.	Notes for the models	Revision info.
201	E27 984 085	Panel R		1	1	1					KJ00C589G06		Chg.
202	E27 A59 085	Panel R	BS								KJ00C589G07		Chg.
203	E27 984 086	Panel L		1	1	1					KJ00C588G06		Chg.
204	E27 A59 086	Panel L	BS								KJ00C588G07		Chg.
205	E27 984 256	Frame F		1	1	1					KB02N697G01		
206	E27 992 256	Frame F	BS								KJ00C612G01		
207	E27 984 255	Frame assy B		1	1	1					KJ00C609G03		
208	E27 992 255	Frame assy B	BS								KJ00C609G04		
209	E27 A59 254	Frame assy LR		1	1	1					KJ00L905G01		Chg.
210	E27 A66 254	Frame assy LR	BS								KJ00L905G02		Chg.
211	E27 A59 253	Frame assy L		1	1	1					KJ00L906G01		Chg.
212	E27 A66 253	Frame assy L	BS								KJ00L906G02		Chg.
213	E27 984 257	Frame assy M		1	1	1					KJ00C637G01		
214	E27 992 257	Frame assy M	BS								KJ00C637G02		
215	E27 630 910	Pipe cover		1	1	1					KB00P794G01		
216	E27 631 910	Pipe cover	BS								KB00P794G02		
217	E27 985 232	Panel FB		1	1	1					KJ00C667G03		Chg.
218	E27 993 232	Panel FB	BS								KJ00C667G04		Chg.
219	E27 984 232	Panel FU		1	1	1					KJ00C666G03		Chg.
220	E27 992 232	Panel FU	BS								KJ00C666G04		Chg.
221	E27 981 509	Bell mouth		1	1	1					KB25A620G01		
222	E27 981 521	Fan guard		1	1	1					KB25A623G03		
223	E27 981 810	Plate fanguard		4	4	4					KD02K443G01		
224	E27 984 532	Cover fanguard		2	2	2					KJ00G367G01		
225	E27 984 523	Fin guard B		1	1	1					KB07N807G01		
226	E27 981 290	Fan stand		2	2	2					KD02K465G01		
227	E27 989 290	Fan stand	BS								KD00K588G01		
228	E27 981 301	Outdoor fan motor	L-MW-920-B4-1	1	1	1					KR61C257H02		Chg.
229	E27 622 501	Propeller fan		1	1	1					KB25A284H02		Chg.
230	E27 622 508	Cap nut	M12	1	1	1					KB12S220H02		
231	E27 982 250	Screw upset	M6 x 22	10	10	10					KB12S261H02	4PCS/UNIT	
232	E27 633 250	Screw	M5 x 12	20	20	20					KB12S217H01	20PCS/UNIT	
233	E27 983 250	Screw	M5 x 16	10	10	10					KB12S217H02	4PCS/UNIT	
234	E27 623 250	Screw	M5 x 10 KNURLED	20	20	20					KB12S216H01	92PCS/UNIT	



No.	Part No.	Part Name	Spec.	PUCY-P500YKA.TH	PUCY-P500YKA.TH-BS	PUCY-P500YKA.TH-T			Dwg. No.	Notes for the models	Revision info.
301	E27 984 085	Panel R		1	1				KJ00C589G06		Chg.
302	E27 A59 085	Panel R	BS		1				KJ00C589G07		Chg.
303	E27 984 086	Panel L		1	1				KJ00C588G06		Chg.
304	E27 A59 086	Panel L	BS		1				KJ00C588G07		Chg.
305	E27 988 812	Pillar assy MF		1	1				KJ00C629G03		Chg.
306	E27 995 812	Pillar assy MF	BS		1				KJ00C629G04		Chg.
307	E27 988 814	Pillar MB		1	1				KJ00C627G01		
308	E27 995 814	Pillar MB	BS		1				KJ00C627G02		
309	E27 988 256	Frame assy F		1	1				KJ00C476G01		
310	E27 995 256	Frame assy F	BS		1				KJ00C613G01		
311	E27 988 255	Frame assy B		1	1				KJ00C610G01		
312	E27 995 255	Frame assy B	BS		1				KJ00C610G02		
313	E27 A59 254	Frame assy LR		1	1				KJ00L905G01		Chg.
314	E27 A66 254	Frame assy LR	BS		1				KJ00L905G02		Chg.
315	E27 A59 253	Frame assy L		1	1				KJ00L906G01		Chg.
316	E27 A66 253	Frame assy L	BS		1				KJ00L906G02		Chg.
317	E27 988 810	Plate Hex assy		1	1				KJ00C753G03		Chg.
318	E27 995 810	Plate Hex assy	BS		1				KJ00C753G02		
319	E27 988 259	Frame MT		1	1				KJ00C763G01		
320	E27 995 259	Frame MT	BS		1				KJ00C763G02		
321	E27 A64 257	Frame assy M		1	1				KJ00C636G05		Chg.
322	E27 A71 257	Frame assy M	BS		1				KJ00C636G06		Chg.
323	E27 988 260	Frame MR		1	1				KJ02C482G01		
324	E27 995 260	Frame MR	BS		1				KJ00C677G01		
325	E27 630 910	Pipe cover		1	1				KB00P794G01		
326	E27 631 910	Pipe cover	BS		1				KB00P794G02		
327	E27 988 232	Panel FBR		1	1				KJ00C669G03		Chg.
328	E27 995 232	Panel FBR	BS		1				KJ00C669G04		Chg.
329	E27 995 232	Panel FBL		1	1				KJ00C668G03		Chg.
330	E27 A04 232	Panel FBL	BS		1				KJ00C668G04		Chg.
331	E27 981 232	Panel FU		2	2				KJ00C664G03		Chg.
332	E27 989 232	Panel FU	BS		2				KJ00C664G04		Chg.
333	E27 988 509	Bell mouth		2	2	2			KB25A621G01		
334	E27 981 521	Fan guard		2	2	2			KB25A623G03		
335	E27 981 810	Plate fanguard		8	8	8			KD02K443G01		
336	E27 988 523	Fin guard B (XL)		2	2	2			KB07N808G01		
337	E27 981 290	Fan stand		4	4				KD02K465G01		
338	E27 989 290	Fan stand	BS		4				KD00K588G01		
339	E27 981 301	Outdoor fan motor	L-MW-920-B4-1	2	2	2			KR61C257H02		Chg.
340	E27 622 501	Propeller fan		2	2	2			KB25A284H02		Chg.
341	E27 622 508	Cap nut	M12	2	2	2			KB12S220H02		
342	E27 982 250	Screw upset	M6 x 22	10	10	10			KB12S261H02	8PCS/UNIT	
343	E27 633 250	Screw	M5 x 12	20	20	20			KB12S217H01	26PCS/UNIT	
344	E27 983 250	Screw	M5 x 16	10	10	10			KB12S217H02	8PCS/UNIT	
345	E27 623 250	Screw	M5 x 10 KNURLED	20	20	20			KB12S216H01	139PCS/UNIT	

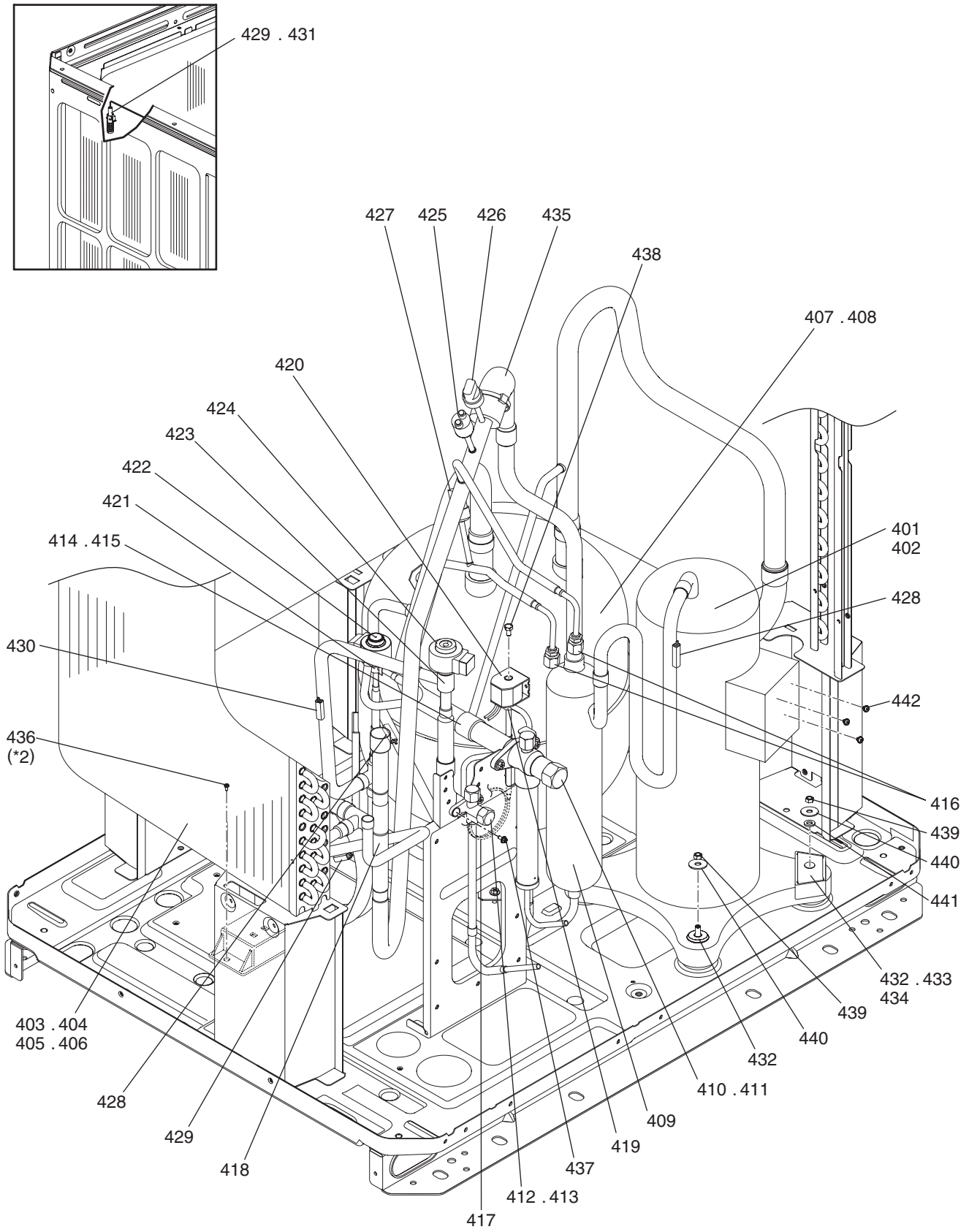
PUCY-P500YKA.TH
PUCY-P500YKA.TH-BS
PUCY-P500YKA.TH-T

EXTERNAL PARTS & BLOWER PARTS (3)

No.	Part No.	Part Name	Spec.	PUCY-P500YKA.TH	PUCY-P500YKA.TH-BS	PUCY-P500YKA.TH-T					Dwg. No.	Notes for the models	Revision info.
346	E27 B60 910	Pipe cover		1	1	1					KD33C174H59		

PUCY-P200,P250,P300YKA.TH
PUCY-P200,P250,P300YKA.TH-BS
PUCY-P200,P250,P300YKA.TH-T

FUNCTIONAL PARTS (1)



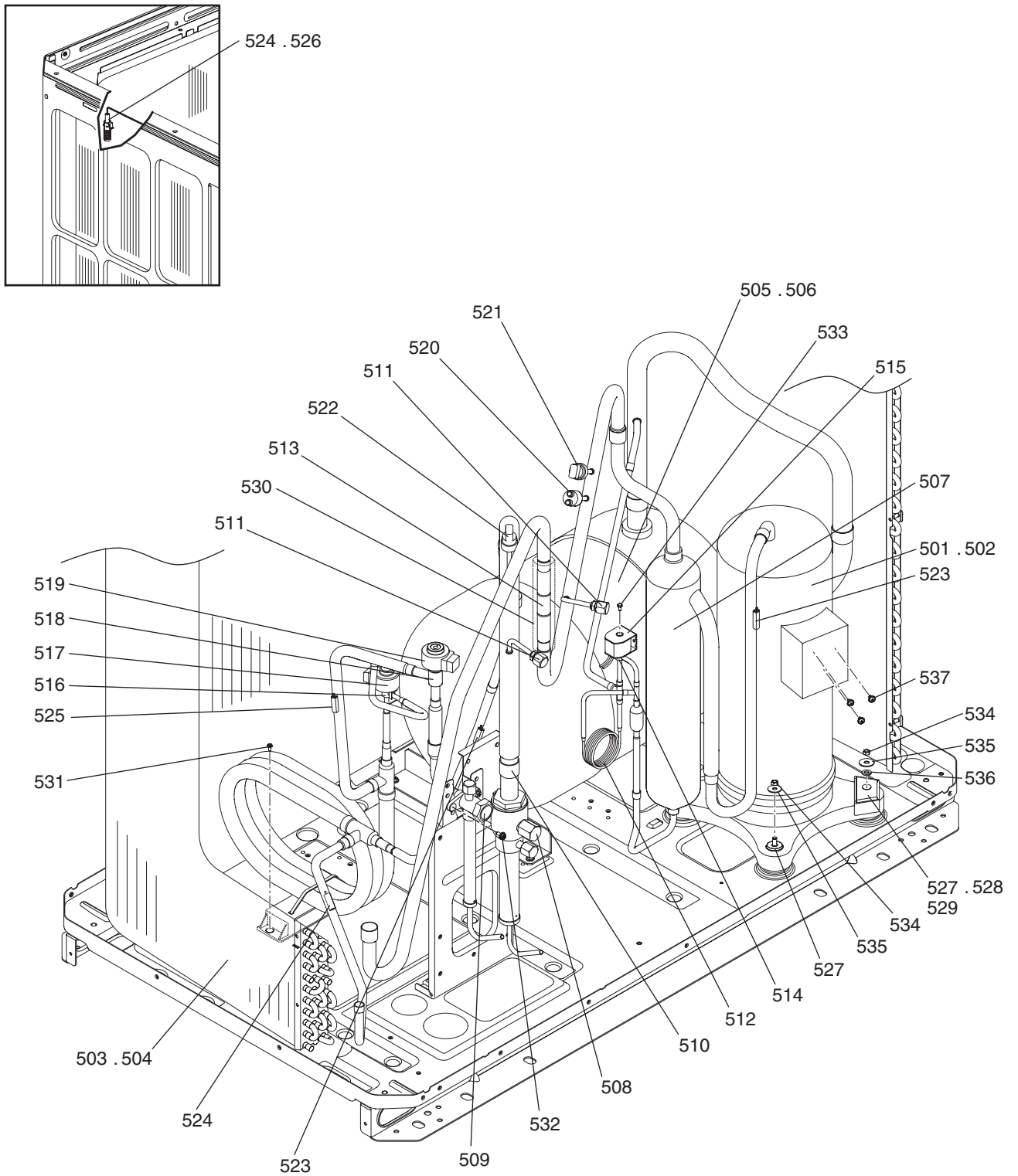
*2 PUCY-P200YKA.TH(-BS),PUCY-P200YKA.TH-T... 100 PCS/UNIT
PUCY-P250YKA.TH(-BS),PUCY-P250YKA.TH-T... 101 PCS/UNIT
PUCY-P300YKA.TH(-BS),PUCY-P300YKA.TH-T... 103 PCS/UNIT

No.	Part No.	Part Name	Spec.	PUCY-P200YKA.TH	PUCY-P200YKA.TH-BS	PUCY-P250YKA.TH	PUCY-P250YKA.TH-BS	PUCY-P300YKA.TH	PUCY-P300YKA.TH-BS	Dwg. No.	Notes for the models	Revision info.
401	E27 1A8 900	Compressor	ENB62FB-YE-C	1	1	1	1			EP10150B02		Chg.
402	E27 1A9 900	Compressor	HNB83FB-YE-C					1	1	EP10151B02		Chg.
403	E27 981 630	Outdoor heat exchanger	2L	1						KJ01C530G01		
404	E27 989 630	Outdoor heat exchanger	2L BS		1					KJ01C530G02		
405	E27 982 630	Outdoor heat exchanger	2.5L			1		1		KJ01C531G01		
406	E27 990 630	Outdoor heat exchanger	2.5L BS				1	1		KJ01C531G02		
407	E27 622 932	Accumulator		1		1		1		KB54N072G05		Chg.
408	E27 623 932	Accumulator	BS		1		1	1		KB54N072G06		Chg.
409	E27 981 299	Oil separator		1	1	1	1	1	1	KJ00C291G03		Chg.
410	E27 981 661	Valve	FSV-JA8GME-2	1	1					KR50C262H01	<BV1>	
411	E27 982 661	Valve	FSV-JA8GME-3			1	1	1	1	KR50C263H01	<BV1>	
412	E27 981 662	Valve	FSV-JA3GME-11	1	1	1	1			KR50C261H01	<BV2>	
413	E27 983 662	Valve	FSV-JA4GME-1					1	1	KR50C260H01	<BV2>	
414	E27 981 933	Strainer	19.05D	1	1					KJ53G299G01	<ST1>	
415	E27 982 933	Strainer	25.4D			1	1	1	1	KJ53G132G01	<ST1>	
416	E27 622 643	Check joint	R410A	2	2	2	2	2	2	KR50C244H01	<CJ1,CJ2>	
417	E27 622 936	Capillary tube		1	1	1	1	1	1	KB49S267G01	<CP1>	
418	E27 981 642	Check valve	SBV10-002	1	1	1	1	1	1	KR50D180H01	<CV1>	Chg.
419	E27 981 492	Solenoid valve	FDFA277	1	1	1	1	1	1	KR50D126H01	<SV1a>	
420	E27 981 490	Solenoid valve coil		1	1	1	1	1	1	KJ00C456G02	<SV1a>	Chg.
421	E27 622 640	Linear expansion valve	CAM-B35YGMDTH-3T	1	1	1	1	1	1	KR50C701H01	<LEV1>	Chg.
422	E27 90U 493	Solenoid valve coil	CAM-MD12MDTH-123T	1	1	1	1	1	1	KR50C705H01	<LEV1>	Chg.
423	E27 624 640	Linear expansion valve	PAM-BB0YGMD-2	1	1	1	1	1	1	KR50C486H01	<LEV2>	Chg.
424	E27 623 493	Solenoid valve coil	PAM-MD12MD-3	1	1	1	1	1	1	KR50C212H02	<LEV2>	
425	E27 981 646	Pressure switch	ACB-1UB28W	1	1	1	1	1	1	KD00K089G04	<63H1>	Chg.
426	E27 982 646	Pressure sensor	NSK-BD042D-272	1	1	1	1	1	1	KB00H904G20	<63HS1>	
427	E27 981 647	Pressure sensor	NSK-BD017D-272	1	1	1	1	1	1	KB00H904G21	<63LS>	
428	E27 981 307	Thermistor	150-522-96001,150-204-97484	1	1	1	1	1	1	KJ00C454G02	<TH2,4>	Chg.
429	E27 982 307	Thermistor	150-522-96001	1	1	1	1	1	1	KJ00C455G03	<TH3,7>	Chg.
430	E27 983 307	Thermistor	150-522-96001	1	1	1	1	1	1	KD00K439G03	<TH6>	Chg.
431	E27 622 241	Sensor holder		1	1	1	1	1	1	KB25J374G01		
432	E27 622 506	Comp.rubber mount set	4 Rubbers / SET	4	4	4	4	4	4	KB31S115H01		
433	E27 09U 534	Attachment (HH)		1		1		1		KD00K624G01		Chg.
434	E27 16U 534	Attachment (HH)	BS		1		1		1	KD00K624G02		Chg.
435	E27 981 910	Pipe cover		1	1	1	1	1	1	KD33C174H24		
436	E27 623 250	Screw	M5 x 10 KNURLED	20	20	20	20	20	20	KB12S216H01	*2	
437	E27 630 250	Screw	M5 x 14 KNURLED	10	10	10	10	10	10	KB12S216H02	4PCS/UNIT	
438	E27 981 250	Screw upset	M5 x 9	10	10	10	10	10	10	KD12D936H02	1PCS/UNIT	
439	E27 623 508	Nut	M6 NUT	10	10	10	10	10	10	VU12D248H01	3PCS/UNIT	
440	E27 622 097	Washer		10	10	10	10	10	10	VU55D247H02	3PCS/UNIT	
441	E27 981 098	Spring washer	8	10	10	10	10	10	10	KD04K591H01	1PCS/UNIT	
442	E27 632 250	Screw PMP BS	M5 x 10 BRASS	10	10	10	10	10	10	KB12S219H01	3PCS/UNIT	

No.	Part No.	Part Name	Spec.	PUCY-P200YKA.TH-T	PUCY-P250YKA.TH-T	PUCY-P300YKA.TH-T				Dwg. No.	Notes for the models	Revision info.
401	E27 1A8 900	Compressor	ENB62FB-YE-C	1	1					EP10150B02		Chg.
402	E27 1A9 900	Compressor	HNB83FB-YE-C			1				EP10151B02		Chg.
403	E27 981 630	Outdoor heat exchanger	2L	1						KJ01C530G01		
404	E27 989 630	Outdoor heat exchanger	2L BS							KJ01C530G02		
405	E27 982 630	Outdoor heat exchanger	2.5L		1	1				KJ01C531G01		
406	E27 990 630	Outdoor heat exchanger	2.5L BS							KJ01C531G02		
407	E27 622 932	Accumulator		1	1	1				KB54N072G05		Chg.
408	E27 623 932	Accumulator	BS							KB54N072G06		Chg.
409	E27 981 299	Oil separator		1	1	1				KJ00C291G03		Chg.
410	E27 981 661	Valve	FSV-JA8GME-2	1						KR50C262H01	<BV1>	
411	E27 982 661	Valve	FSV-JA8GME-3		1	1				KR50C263H01	<BV1>	
412	E27 981 662	Valve	FSV-JA3GME-11	1	1					KR50C261H01	<BV2>	
413	E27 983 662	Valve	FSV-JA4GME-1			1				KR50C260H01	<BV2>	
414	E27 981 933	Strainer	19.05D	1						KJ53G299G01	<ST1>	
415	E27 982 933	Strainer	25.4D		1	1				KJ53G132G01	<ST1>	
416	E27 622 643	Check joint	R410A	2	2	2				KR50C244H01	<CJ1,CJ2>	
417	E27 622 936	Capillary tube		1	1	1				KB49S267G01	<CP1>	
418	E27 981 642	Check valve	SBV10-002	1	1	1				KR50D180H01	<CV1>	Chg.
419	E27 981 492	Solenoid valve	FDFA277	1	1	1				KR50D126H01	<SV1a>	
420	E27 981 490	Solenoid valve coil		1	1	1				KJ00C456G02	<SV1a>	Chg.
421	E27 622 640	Linear expansion valve	CAM-B35YGMDTH-3T	1	1	1				KR50C701H01	<LEV1>	Chg.
422	E27 90U 493	Solenoid valve coil	CAM-MD12MDTH-123T	1	1	1				KR50C705H01	<LEV1>	Chg.
423	E27 624 640	Linear expansion valve	PAM-BB0YGMD-2	1	1	1				KR50C486H01	<LEV2>	Chg.
424	E27 623 493	Solenoid valve coil	PAM-MD12MD-3	1	1	1				KR50C212H02	<LEV2>	
425	E27 981 646	Pressure switch	ACB-1UB28W	1	1	1				KD00K089G04	<63H1>	Chg.
426	E27 982 646	Pressure sensor	NSK-BD042D-272	1	1	1				KB00H904G20	<63HS1>	
427	E27 981 647	Pressure sensor	NSK-BD017D-272	1	1	1				KB00H904G21	<63LS>	
428	E27 981 307	Thermistor	150-522-96001,150-204-97484	1	1	1				KJ00C454G02	<TH2,4>	Chg.
429	E27 982 307	Thermistor	150-522-96001	1	1	1				KJ00C455G03	<TH3,7>	Chg.
430	E27 983 307	Thermistor	150-522-96001	1	1	1				KD00K439G03	<TH6>	Chg.
431	E27 622 241	Sensor holder		1	1	1				KB25J374G01		
432	E27 622 506	Comp.rubber mount set	4 Rubbers / SET	4	4	4				KB31S115H01		
433	E27 09U 534	Attachment (HH)		1	1	1				KD00K624G01		Chg.
434	E27 16U 534	Attachment (HH)	BS							KD00K624G02		Chg.
435	E27 981 910	Pipe cover		1	1	1				KD33C174H24		
436	E27 623 250	Screw	M5 x 10 KNURLED	20	20	20				KB12S216H01	*2	
437	E27 630 250	Screw	M5 x 14 KNURLED	10	10	10				KB12S216H02	4PCS/UNIT	
438	E27 981 250	Screw upset	M5 x 9	10	10	10				KD12D936H02	1PCS/UNIT	
439	E27 623 508	Nut	M6 NUT	10	10	10				VU12D248H01	3PCS/UNIT	
440	E27 622 097	Washer		10	10	10				VU55D247H02	3PCS/UNIT	
441	E27 981 098	Spring washer	8	10	10	10				KD04K591H01	1PCS/UNIT	
442	E27 632 250	Screw PMP BS	M5 x 10 BRASS	10	10	10				KB12S219H01	3PCS/UNIT	

PUCY-P350,P400,P450YKA.TH
PUCY-P350,P400,P450YKA.TH-BS
PUCY-P350,P400,P450YKA.TH-T

FUNCTIONAL PARTS (2)



PUCY-P350,P400,P450YKA.TH
PUCY-P350,P400,P450YKA.TH-BS
PUCY-P350,P400,P450YKA.TH-T

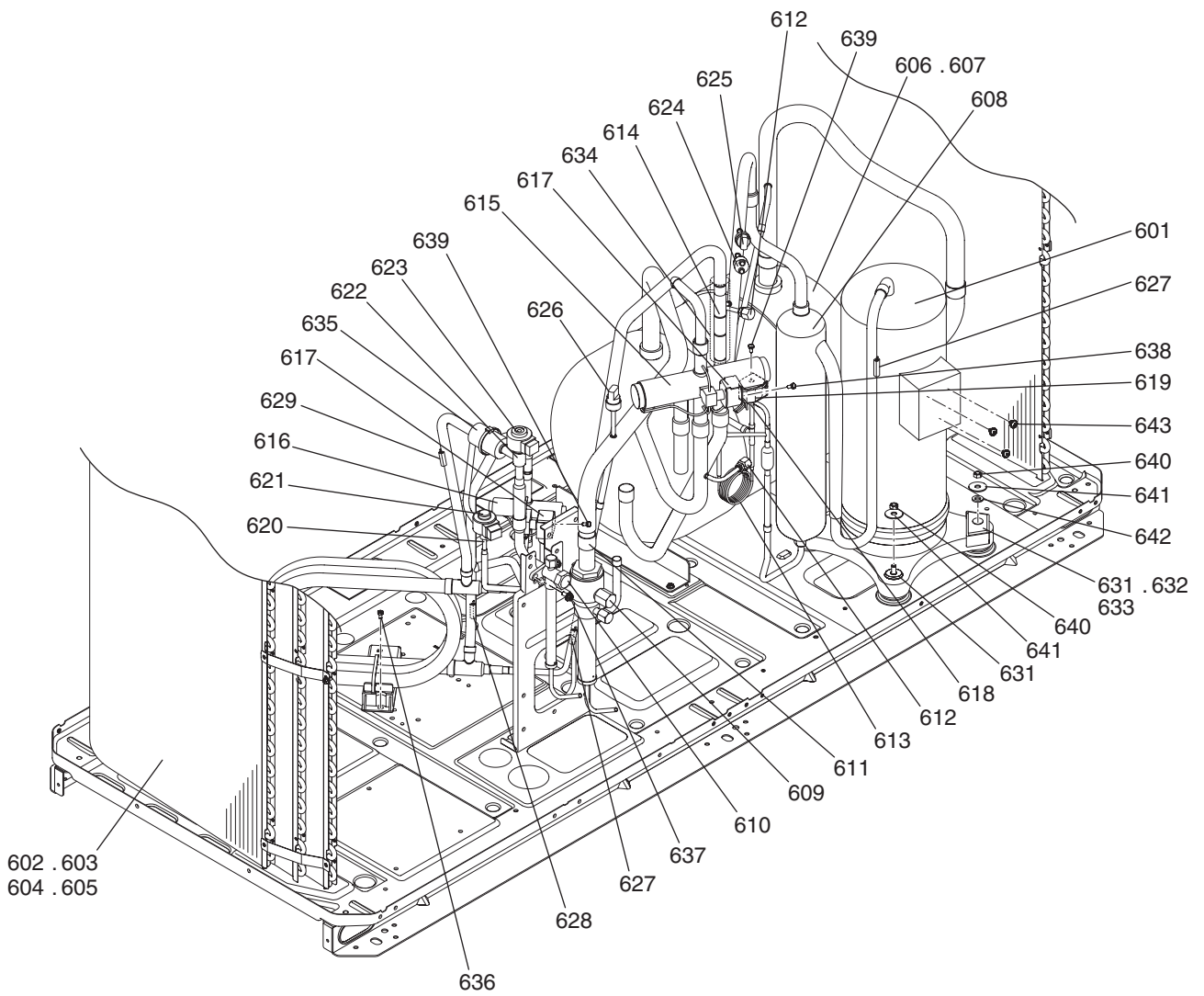
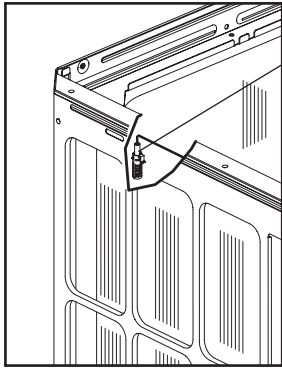
FUNCTIONAL PARTS (2)

No.	Part No.	Part Name	Spec.	PUCY-P350YKA.TH	PUCY-P350YKA.TH-BS	PUCY-P400YKA.TH	PUCY-P400YKA.TH-BS	PUCY-P450YKA.TH	PUCY-P450YKA.TH-BS	Dwg. No.	Notes for the models	Revision info.
501	E27 1A9 900	Compressor	HNB83FB-YE-C	1	1					EP10151B02		Chg.
502	E27 2A0 900	Compressor	HNB84FC-YE-C			1	1	1	1	EP10151B03		Chg.
503	E27 984 630	Outdoor heat exchanger	3L	1		1		1		KJ01C532G01		
504	E27 992 630	Outdoor heat exchanger	3L BS		1		1		1	KJ01C532G02		
505	E27 627 932	Accumulator		1		1		1		KB54N073G07		Chg.
506	E27 629 932	Accumulator	BS		1		1		1	KB54N073G08		Chg.
507	E27 983 299	Oil separator		1	1	1	1	1	1	KJ00C301G03		Chg.
508	E27 13U 661	Ball Valve	SBV10-002	1	1	1	1	1	1	KR50C729H01	<BV1>	Chg.
509	E27 984 662	Valve	FSV-JA5GME-19	1	1	1	1	1	1	KR50C259H01	<BV2>	
510	E27 982 933	Strainer	25.4D	1	1	1	1	1	1	KJ53G132G01	<ST1>	
511	E27 622 643	Check joint	R410A	2	2	2	2	2	2	KR50C244H01	<CJ1,CJ2>	
512	E27 627 936	Capillary tube		1	1	1	1	1	1	KB49S487G01	<CP1>	
513	E27 981 642	Check valve	YCV11-007	1	1	1	1	1	1	KR50D180H01	<CV1>	Chg.
514	E27 981 492	Solenoid valve	FD2A77	1	1	1	1	1	1	KR50D126H01	<SV1a>	
515	E27 981 490	Solenoid valve coil		1	1	1	1	1	1	KJ00C456G02	<SV1a>	Chg.
516	E27 622 640	Linear expansion valve	CAM-B35YGMDTH-3T	1	1	1	1	1	1	KR50C701H01	<LEV1>	Chg.
517	E27 09U 493	Solenoid valve coil	CAM-MD12MD-123	1	1	1	1	1	1	KR50C705H01	<LEV1>	Chg.
518	E27 624 640	Linear expansion valve	PAM-BB0YGMD-2	1	1	1	1	1	1	KR50C486H01	<LEV2>	Chg.
519	E27 623 493	Solenoid valve coil	PAM-MD12MD-3	1	1	1	1	1	1	KR50C212H02	<LEV2>	
520	E27 981 646	Pressure switch	ACB-1UB28W	1	1	1	1	1	1	KD00K089G04	<63H1>	Chg.
521	E27 984 646	Pressure sensor	NSK-BD042D-272	1	1	1	1	1	1	KB00F899G33	<63HS1>	
522	E27 984 647	Pressure sensor	NSK-BD017D-183	1	1	1	1	1	1	KB00F899G40	<63LS>	
523	E27 984 307	Thermistor	150-522-96001,150-204-97484	1	1	1	1	1	1	KJ00C523G02	<TH2,4>	Chg.
524	E27 982 307	Thermistor	150-522-96001	1	1	1	1	1	1	KJ00C455G03	<TH3,7>	Chg.
525	E27 986 307	Thermistor	150-522-96001	1	1	1	1	1	1	KD00K499G03	<TH6>	Chg.
526	E27 622 241	Sensor holder		1	1	1	1	1	1	KB25J374G01		
527	E27 622 506	Comp.rubber mount set	4 Rubbers / SET	4	4	4	4	4	4	KB31S115H01		
528	E27 09U 534	Attachment (HH)		1		1		1		KD00K624G01		Chg.
529	E27 16U 534	Attachment (HH)	BS		1		1		1	KD00K624G02		Chg.
530	E27 984 910	Pipe cover		1	1	1	1	1	1	KD33C174H05		
531	E27 623 250	Screw	M5 x 10 KNURLED	20	20	20	20	20	20	KB12S216H01	92PCS/UNIT	
532	E27 630 250	Screw	M5 x 14 KNURLED	10	10	10	10	10	10	KB12S216H02	4PCS/UNIT	
533	E27 981 250	Screw upset	M5 x 9	10	10	10	10	10	10	KD12D936H02	1PCS/UNIT	
534	E27 623 508	Nut	M6 NUT	10	10	10	10	10	10	VU12D248H01	3PCS/UNIT	
535	E27 622 097	Washer		10	10	10	10	10	10	VU55D247H02	3PCS/UNIT	
536	E27 981 098	Spring washer	8	10	10	10	10	10	10	KD04K591H01	1PCS/UNIT	
537	E27 632 250	Screw PMP BS	M5 x 10 BRASS	10	10	10	10	10	10	KB12S219H01	3PCS/UNIT	

No.	Part No.	Part Name	Spec.	PUCY-P350YKA.TH-T	PUCY-P400YKA.TH-T	PUCY-P450YKA.TH-T				Dwg. No.	Notes for the models	Revision info.
501	E27 1A9 900	Compressor	HNB83FB-YE-C	1						EP10151B02		Chg.
502	E27 2A0 900	Compressor	HNB84FC-YE-C		1	1				EP10151B03		Chg.
503	E27 984 630	Outdoor heat exchanger	3L	1	1	1				KJ01C532G01		
504	E27 992 630	Outdoor heat exchanger	3L BS							KJ01C532G02		
505	E27 627 932	Accumulator		1	1	1				KB54N073G07		Chg.
506	E27 629 932	Accumulator	BS							KB54N073G08		Chg.
507	E27 983 299	Oil separator		1	1	1				KJ00C301G03		Chg.
508	E27 13U 661	Ball Valve	SBV10-002	1	1	1				KR50C729H01	<BV1>	Chg.
509	E27 984 662	Valve	FSV-JA5GME-19	1	1	1				KR50C259H01	<BV2>	
510	E27 982 933	Strainer	25.4D	1	1	1				KJ53G132G01	<ST1>	
511	E27 622 643	Check joint	R410A	2	2	2				KR50C244H01	<CJ1,CJ2>	
512	E27 627 936	Capillary tube		1	1	1				KB49S487G01	<CP1>	
513	E27 981 642	Check valve	YCV11-007	1	1	1				KR50D180H01	<CV1>	Chg.
514	E27 981 492	Solenoid valve	FD2A77	1	1	1				KR50D126H01	<SV1a>	
515	E27 981 490	Solenoid valve coil		1	1	1				KJ00C456G02	<SV1a>	Chg.
516	E27 622 640	Linear expansion valve	CAM-B35YGM DTH-3T	1	1	1				KR50C701H01	<LEV1>	Chg.
517	E27 09U 493	Solenoid valve coil	CAM-MD12MD-123	1	1	1				KR50C705H01	<LEV1>	Chg.
518	E27 624 640	Linear expansion valve	PAM-BB0YGM D-2	1	1	1				KR50C486H01	<LEV2>	Chg.
519	E27 623 493	Solenoid valve coil	PAM-MD12MD-3	1	1	1				KR50C212H02	<LEV2>	
520	E27 981 646	Pressure switch	ACB-1UB28W	1	1	1				KD00K089G04	<63H1>	Chg.
521	E27 984 646	Pressure sensor	NSK-BD042D-272	1	1	1				KB00F899G33	<63HS1>	
522	E27 984 647	Pressure sensor	NSK-BD017D-183	1	1	1				KB00F899G40	<63LS>	
523	E27 984 307	Thermistor	150-522-96001,150-204-97484	1	1	1				KJ00C523G02	<TH2,4>	Chg.
524	E27 982 307	Thermistor	150-522-96001	1	1	1				KJ00C455G03	<TH3,7>	Chg.
525	E27 986 307	Thermistor	150-522-96001	1	1	1				KD00K499G03	<TH6>	Chg.
526	E27 622 241	Sensor holder		1	1	1				KB25J374G01		
527	E27 622 506	Comp.rubber mount set	4 Rubbers / SET	4	4	4				KB31S115H01		
528	E27 09U 534	Attachment (HH)		1	1	1				KD00K624G01		Chg.
529	E27 16U 534	Attachment (HH)	BS							KD00K624G02		Chg.
530	E27 984 910	Pipe cover		1	1	1				KD33C174H05		
531	E27 623 250	Screw	M5 x 10 KNURLED	20	20	20				KB12S216H01	92PCS/UNIT	
532	E27 630 250	Screw	M5 x 14 KNURLED	10	10	10				KB12S216H02	4PCS/UNIT	
533	E27 981 250	Screw upset	M5 x 9	10	10	10				KD12D936H02	1PCS/UNIT	
534	E27 623 508	Nut	M6 NUT	10	10	10				VU12D248H01	3PCS/UNIT	
535	E27 622 097	Washer		10	10	10				VU55D247H02	3PCS/UNIT	
536	E27 981 098	Spring washer	8	10	10	10				KD04K591H01	1PCS/UNIT	
537	E27 632 250	Screw PMP BS	M5 x 10 BRASS	10	10	10				KB12S219H01	3PCS/UNIT	

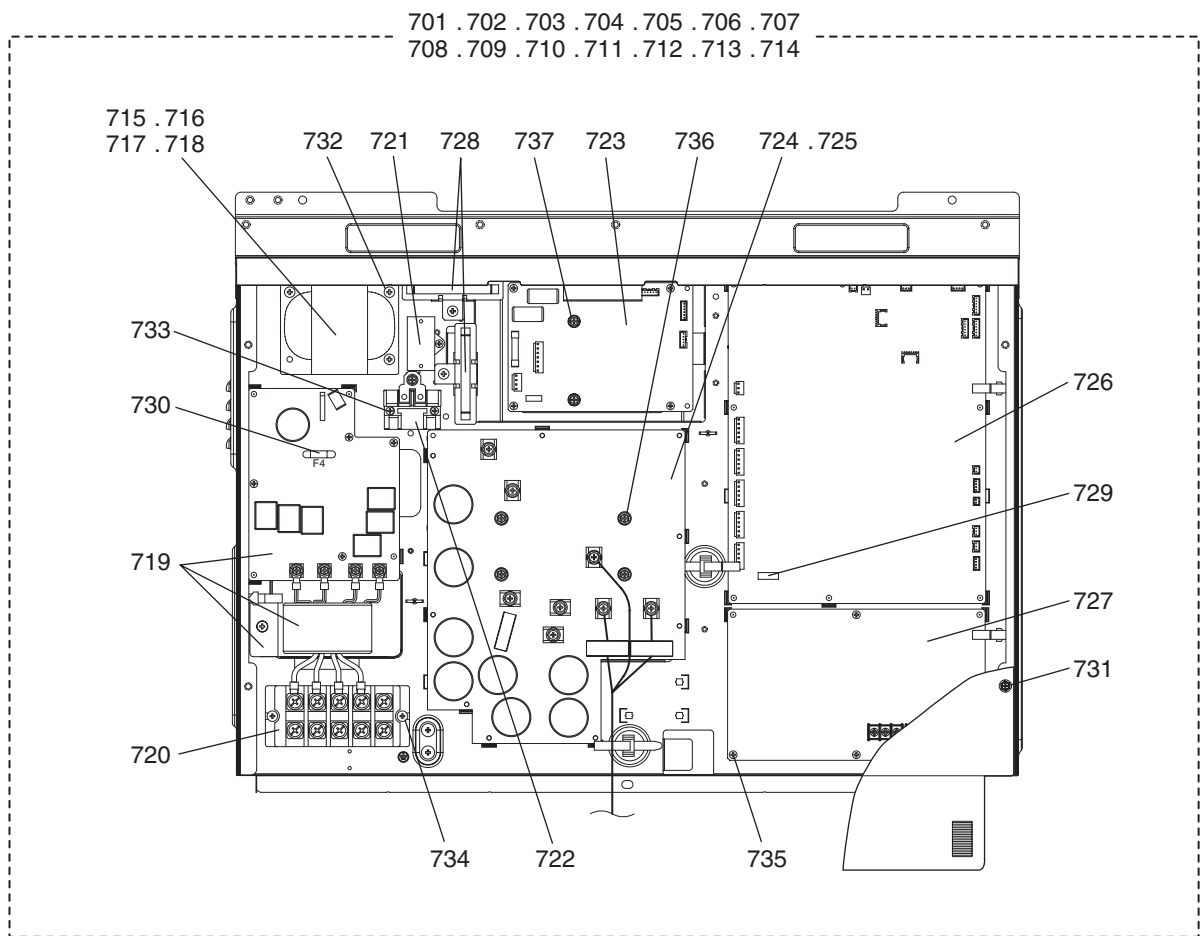
PUCY-P500YKA.TH
 PUCY-P500YKA.TH-BS
 PUCY-P500YKA.TH-T

FUNCTIONAL PARTS (3)



No.	Part No.	Part Name	Spec.	PUCY-P500YKA.TH	PUCY-P500YKA.TH-BS	PUCY-P500YKA.TH-T			Dwg. No.	Notes for the models	Revision info.
601	E27 2A0 900	Compressor	HNB84FC-YE-C	1	1	1			EP10151B03		Chg.
602	E27 988 630	Outdoor heat exchanger	3L L	1		1			KJ01C541G01		
603	E27 995 630	Outdoor heat exchanger	3L L BS		1				KJ01C541G02		
604	E27 999 630	Outdoor heat exchanger	3L R	1		1			KJ01C542G01		
605	E27 A04 630	Outdoor heat exchanger	3L R BS		1				KJ01C542G02		
606	E27 988 932	Accumulator		1		1			KB54N780G06		Chg.
607	E27 995 932	Accumulator	BS		1				KB54N780G07		Chg.
608	E27 983 299	Oil separator		1	1	1			KJ00C301G03		Chg.
609	E27 13U 661	Ball Valve	SBV10-002	1	1	1			KR50C729H01	<BV1>	Chg.
610	E27 984 662	Valve	FSV-JA5GME-19	1	1	1			KR50C259H01	<BV2>	
611	E27 982 933	Strainer	25.4D	1	1	1			KJ53G132G01	<ST1>	
612	E27 622 643	Check joint	R410A	2	2	2			KR50C244H01	<CJ1,CJ2>	
613	E27 627 936	Capillary tube		1	1	1			KB49S487G01	<CP1>	
614	E27 981 642	Check valve	YCV11-07	1	1	1			KR50D180H01	<CV1>	Chg.
615	E27 370 961	Four way valve	STF-07	1	1	1			KP50C802H01	<21S4b>	
616	E27 988 961	Two way valve	VR43202	1	1	1			KR50C250H02	<SV5b>	Chg.
617	E27 988 490	Solenoid valve coil		1	1	1			KJ00C470G03	<21S4b,SV5b>	Chg.
618	E27 981 492	Solenoid valve	FDFA277	1	1	1			KR50D126H01	<SV1a>	
619	E27 995 490	Solenoid valve coil		1	1	1			KJ00C478G02	<SV1a>	Chg.
620	E27 622 640	Linear expansion valve	CAM-B35YGMDTH-3T	1	1	1			KR50C701H01	<LEV1>	Chg.
621	E27 09U 493	Solenoid valve coil	CAM-MD12MD-123	1	1	1			KR50C705H01	<LEV1>	Chg.
622	E27 624 640	Linear expansion valve	PAM-BB0YGMD-2	1	1	1			KR50C486H01	<LEV2>	Chg.
623	E27 623 493	Solenoid valve coil	PAM-MD12MD-3	1	1	1			KR50C212H02	<LEV2>	
624	E27 988 646	Pressure switch	ACB-1UB28W	1	1	1			KD00K089G03	<63H1>	Chg.
625	E27 984 646	Pressure sensor	NSK-BD042D-272	1	1	1			KB00F899G33	<63HS1>	
626	E27 988 647	Pressure sensor	NSK-BD017D-183	1	1	1			KB00F899G13	<63LS>	
627	E27 988 307	Thermistor	150-522-96001,150-204-97484	1	1	1			KJ00C472G02	<TH2,4>	Chg.
628	E27 995 307	Thermistor	150-522-96001	1	1	1			KJ00C468G03	<TH3,7>	Chg.
629	E27 A14 307	Thermistor	150-522-96001	1	1	1			KD00K457G03	<TH6>	Chg.
630	E27 622 241	Sensor holder		1	1	1			KB25J374G01		
631	E27 622 506	Comp.rubber mount set	4 Rubbers / SET	4	4	4			KB31S115H01		
632	E27 09U 534	Attachment (HH)		1		1			KD00K624G01		Chg.
633	E27 16U 534	Attachment (HH)	BS		1				KD00K624G02		Chg.
634	E27 984 910	Pipe cover		1	1	1			KD33C174H05		
635	E27 988 910	Pipe cover		1	1	1			KD33C174H23		
636	E27 623 250	Screw	M5 x 10 KNURLED	20	20	20			KB12S216H01	139PCS/UNIT	
637	E27 630 250	Screw	M5 x 14 KNURLED	10	10	10			KB12S216H02	4PCS/UNIT	
638	E27 631 250	Screw	M4 x 8 SEMS	10	10	10			KB12U718H01	1PCS/UNIT	
639	E27 981 250	Screw upset	M5 x 9	10	10	10			KD12D936H02	2PCS/UNIT	
640	E27 623 508	Nut	M6 NUT	10	10	10			VU12D248H01	3PCS/UNIT	
641	E27 622 097	Washer		10	10	10			VU55D247H02	3PCS/UNIT	
642	E27 981 098	Spring washer	8	10	10	10			KD04K591H01	1PCS/UNIT	
643	E27 632 250	Screw PMP BS	M5 x 10 BRASS	10	10	10			KB12S219H01	3PCS/UNIT	

CONTROL BOX PARTS



CONTROL BOX PARTS

No.	Part No.	Part Name	Spec.	PUCY-P200YKA.TH	PUCY-P200YKA.TH-BS	PUCY-P250YKA.TH	PUCY-P250YKA.TH-BS	PUCY-P300YKA.TH	PUCY-P300YKA.TH-BS	Dwg. No.	Notes for the models	Revision info.
701	E27 981 081	Control box	P200YKA.TH(-T)	1						KE00A109B01		
702	E27 989 081	Control box	P200YKA.TH-BS		1					KE00A109B08		
703	E27 982 081	Control box	P250YKA.TH(-T)			1				KE00A109B02		
704	E27 990 081	Control box	P250YKA.TH-BS				1			KE00A109B09		
705	E27 983 081	Control box	P300YKA.TH(-T)					1		KE00A109B03		
706	E27 991 081	Control box	P300YKA.TH-BS						1	KE00A109B10		
707	E27 984 081	Control box	P350YKA.TH(-T)							KE00A109B04		
708	E27 992 081	Control box	P350YKA.TH-BS							KE00A109B11		
709	E27 985 081	Control box	P400YKA.TH(-T)							KE00A109B05		
710	E27 993 081	Control box	P400YKA.TH-BS							KE00A109B12		
711	E27 986 081	Control box	P450YKA.TH(-T)							KE00A109B06		
712	E27 994 081	Control box	P450YKA.TH-BS							KE00A109B13		
713	E27 988 081	Control box	P500YKA.TH(-T)							KE00A109B07		
714	E27 995 081	Control box	P500YKA.TH-BS							KE00A109B14		
715	E27 981 337	Reactor		1	1					KR65C267H01	<DCL>	
716	E27 622 337	Reactor				1	1			KR65C241H02	<DCL>	
717	E27 624 337	Reactor						1	1	KR65C240H02	<DCL>	
718	E27 626 337	Reactor								KR65C223H01	<DCL>	
719	E27 981 444	Noise Filter P.C. board		1	1	1	1	1	1	KR76C254G01	<Noise Filter,L,Plate>	
720	E27 622 374	Terminal block		1	1	1	1	1	1	KR73C225H01	<TB1>	
721	E27 622 351	Capacitor assy		1	1	1	1	1	1	KE00D709G02	<C100>	
722	E27 622 341	Relay		1	1	1	1	1	1	KR67C220H01	<72C>	
723	E27 981 455	Fan P.C. board		1	1	1	1	1	1	KE01F254B01		
724	E27 981 451	Inverter P.C. board		1	1	1	1			KE01F253B04		
725	E27 983 451	Inverter P.C. board						1	1	KE01F253B03		
726	E27 B88 450	Outdoor control P.C. board		1	1	1	1	1	1	KE01F252B02		Chg.
727	E27 622 456	M-NET board		1	1	1	1	1	1	KE01D803B01		
728	E27 622 360	Resistor		2	2	2	2	2	2	KR63C218H01	<R1,R5>	
729	E27 622 382	Fuse	3.15A AC250V T	1	1	1	1	1	1	YE81D571K02		
730	E27 250 382	Fuse	6.3A AC250V T	1	1	1	1	1	1	YE81G542H22		Chg.
731	E27 623 250	Screw	M5 x 10 KNURLED	10	10	10	10	10	10	KB12S216H01	4PCS/BOX	
732	E27 624 250	Screw	PTT 4 x 8	10	10	10	10	10	10	KE12D741H03	7PCS/BOX	
733	E27 625 250	Screw	SEMS M3 x 8	10	10	10	10	10	10	KE12D711H01	3PCS/BOX	
734	E27 981 250	Screw	PTT 5 x 25	10	10	10	10	10	10	KE12D741H04	2PCS/BOX	
735	E27 627 250	Screw	SEMS M3 x 8 CR	20	20	20	20	20	20	KE12D739H01	11PCS/BOX	
736	E27 628 250	Screw	UPSET M5 x 14	10	10	10	10	10	10	KE12D742H03	4PCS/BOX	
737	E27 629 250	Screw	UPSET M4 x 15	10	10	10	10	10	10	KE12D742H01	2PCS/BOX	

CONTROL BOX PARTS

No.	Part No.	Part Name	Spec.	PUCY-P300YKA.TH	PUCY-P350YKA.TH-BS	PUCY-P400YKA.TH	PUCY-P450YKA.TH-BS	PUCY-P450YKA.TH	PUCY-P450YKA.TH-BS	Dwg. No.	Notes for the models	Revision info.
701	E27 981 081	Control box	P200YKA.TH(-T)							KE00A109B01		
702	E27 989 081	Control box	P200YKA.TH-BS							KE00A109B08		
703	E27 982 081	Control box	P250YKA.TH(-T)							KE00A109B02		
704	E27 990 081	Control box	P250YKA.TH-BS							KE00A109B09		
705	E27 983 081	Control box	P300YKA.TH(-T)							KE00A109B03		
706	E27 991 081	Control box	P300YKA.TH-BS							KE00A109B10		
707	E27 984 081	Control box	P350YKA.TH(-T)	1						KE00A109B04		
708	E27 992 081	Control box	P350YKA.TH-BS		1					KE00A109B11		
709	E27 985 081	Control box	P400YKA.TH(-T)			1				KE00A109B05		
710	E27 993 081	Control box	P400YKA.TH-BS				1			KE00A109B12		
711	E27 986 081	Control box	P450YKA.TH(-T)					1		KE00A109B06		
712	E27 994 081	Control box	P450YKA.TH-BS						1	KE00A109B13		
713	E27 988 081	Control box	P500YKA.TH(-T)							KE00A109B07		
714	E27 995 081	Control box	P500YKA.TH-BS							KE00A109B14		
715	E27 981 337	Reactor								KR65C267H01	<DCL>	
716	E27 622 337	Reactor								KR65C241H02	<DCL>	
717	E27 624 337	Reactor		1	1	1	1	1	1	KR65C240H02	<DCL>	
718	E27 626 337	Reactor								KR65C223H01	<DCL>	
719	E27 981 444	Noise Filter P.C. board		1	1	1	1	1	1	KR76C254G01	<Noise Filter,L,Plate>	
720	E27 622 374	Terminal block		1	1	1	1	1	1	KR73C225H01	<TB1>	
721	E27 622 351	Capacitor assy		1	1	1	1	1	1	KE00D709G02	<C100>	
722	E27 622 341	Relay		1	1	1	1	1	1	KR67C220H01	<72C>	
723	E27 981 455	Fan P.C. board		1	1	1	1	1	1	KE01F254B01		
724	E27 981 451	Inverter P.C. board								KE01F253B04		
725	E27 983 451	Inverter P.C. board		1	1	1	1	1	1	KE01F253B03		
726	E27 B88 450	Outdoor control P.C. board		1	1	1	1	1	1	KE01F252B02		Chg.
727	E27 622 456	M-NET board		1	1	1	1	1	1	KE01D803B01		
728	E27 622 360	Resistor		2	2	2	2	2	2	KR63C218H01	<R1,R5>	
729	E27 622 382	Fuse	3.15A AC250V T	1	1	1	1	1	1	YE81D571K02		
730	E27 250 382	Fuse	6.3A AC250V T	1	1	1	1	1	1	YE81G542H22		Chg.
731	E27 623 250	Screw	M5 x 10 KNURLED	10	10	10	10	10	10	KB12S216H01	4PCS/BOX	
732	E27 624 250	Screw	PTT 4 x 8	10	10	10	10	10	10	KE12D741H03	7PCS/BOX	
733	E27 625 250	Screw	SEMS M3 x 8	10	10	10	10	10	10	KE12D711H01	3PCS/BOX	
734	E27 981 250	Screw	PTT 5 x 25	10	10	10	10	10	10	KE12D741H04	2PCS/BOX	
735	E27 627 250	Screw	SEMS M3 x 8 CR	20	20	20	20	20	20	KE12D739H01	11PCS/BOX	
736	E27 628 250	Screw	UPSET M5 x 14	10	10	10	10	10	10	KE12D742H03	4PCS/BOX	
737	E27 629 250	Screw	UPSET M4 x 15	10	10	10	10	10	10	KE12D742H01	2PCS/BOX	

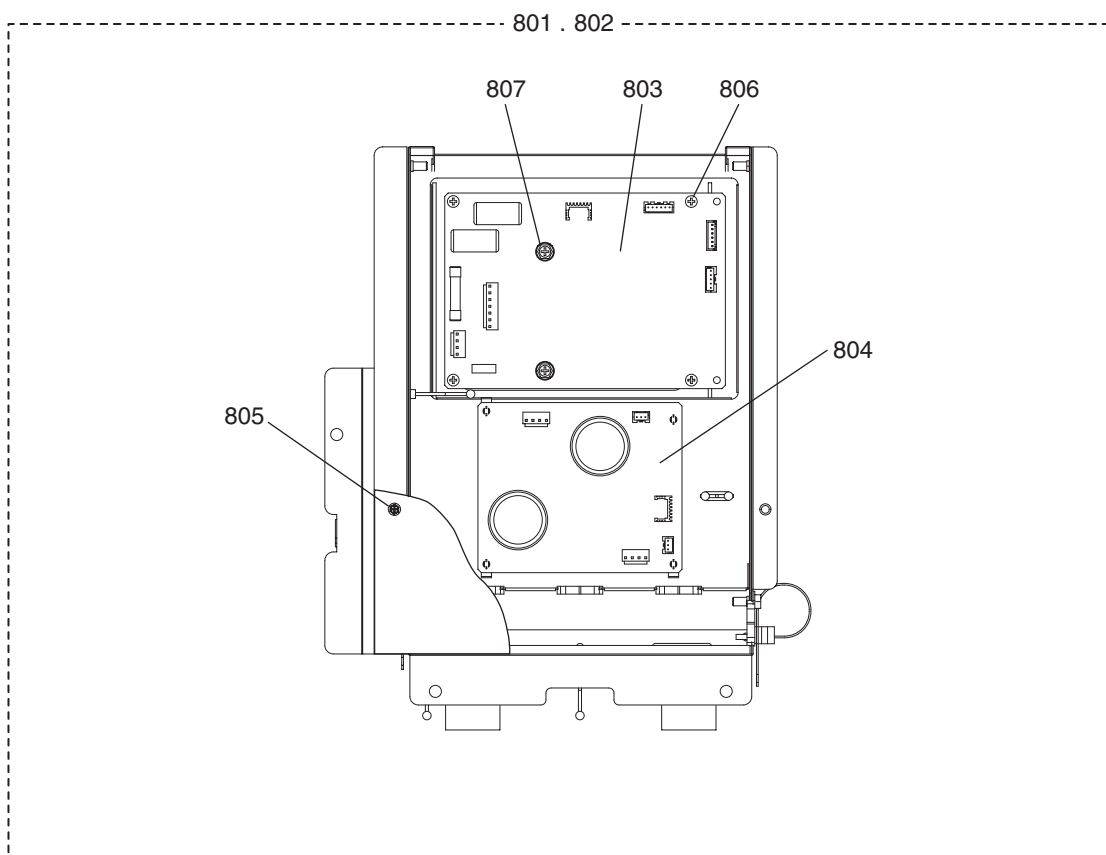
No.	Part No.	Part Name	Spec.	PUCY-P500YKA.TH	PUCY-P500YKA.TH-BS	PUCY-P200YKA.TH-T	PUCY-P250YKA.TH-T	PUCY-P300YKA.TH-T	PUCY-P350YKA.TH-T	PUCY-P400YKA.TH-T	Dwg. No.	Notes for the models	Revision info.
701	E27 981 081	Control box	P200YKA.TH(-T)			1					KE00A109B01		
702	E27 989 081	Control box	P200YKA.TH-BS								KE00A109B08		
703	E27 982 081	Control box	P250YKA.TH(-T)				1				KE00A109B02		
704	E27 990 081	Control box	P250YKA.TH-BS								KE00A109B09		
705	E27 983 081	Control box	P300YKA.TH(-T)					1			KE00A109B03		
706	E27 991 081	Control box	P300YKA.TH-BS								KE00A109B10		
707	E27 984 081	Control box	P350YKA.TH(-T)						1		KE00A109B04		
708	E27 992 081	Control box	P350YKA.TH-BS								KE00A109B11		
709	E27 985 081	Control box	P400YKA.TH(-T)								KE00A109B05		
710	E27 993 081	Control box	P400YKA.TH-BS								KE00A109B12		
711	E27 986 081	Control box	P450YKA.TH(-T)								KE00A109B06		
712	E27 994 081	Control box	P450YKA.TH-BS								KE00A109B13		
713	E27 988 081	Control box	P500YKA.TH(-T)	1							KE00A109B07		
714	E27 995 081	Control box	P500YKA.TH-BS		1						KE00A109B14		
715	E27 981 337	Reactor				1					KR65C267H01	<DCL>	
716	E27 622 337	Reactor					1				KR65C241H02	<DCL>	
717	E27 624 337	Reactor						1	1		KR65C240H02	<DCL>	
718	E27 626 337	Reactor		1	1						KR65C223H01	<DCL>	
719	E27 981 444	Noise Filter P.C. board		1	1	1	1	1	1	1	KR76C254G01	<Noise Filter,L,Plate>	
720	E27 622 374	Terminal block		1	1	1	1	1	1	1	KR73C225H01	<TB1>	
721	E27 622 351	Capacitor assy		1	1	1	1	1	1	1	KE00D709G02	<C100>	
722	E27 622 341	Relay		1	1	1	1	1	1	1	KR67C220H01	<72C>	
723	E27 981 455	Fan P.C. board		1	1	1	1	1	1	1	KE01F254B01		
724	E27 981 451	Inverter P.C. board				1	1				KE01F253B04		
725	E27 983 451	Inverter P.C. board		1	1			1	1		KE01F253B03		
726	E27 B88 450	Outdoor control P.C. board		1	1	1	1	1	1	1	KE01F252B02		Chg.
727	E27 622 456	M-NET board		1	1	1	1	1	1	1	KE01D803B01		
728	E27 622 360	Resistor		2	2	2	2	2	2	2	KR63C218H01	<R1,R5>	
729	E27 622 382	Fuse	3.15A AC250V T	1	1	1	1	1	1	1	YE81D571K02		
730	E27 250 382	Fuse	6.3A AC250V T	1	1	1	1	1	1	1	YE81G542H22		Chg.
731	E27 623 250	Screw	M5 x 10 KNURLED	10	10	10	10	10	10	10	KB12S216H01	4PCS/BOX	
732	E27 624 250	Screw	PTT 4 x 8	10	10	10	10	10	10	10	KE12D741H03	7PCS/BOX	
733	E27 625 250	Screw	SEMS M3 x 8	10	10	10	10	10	10	10	KE12D711H01	3PCS/BOX	
734	E27 981 250	Screw	PTT 5 x 25	10	10	10	10	10	10	10	KE12D741H04	2PCS/BOX	
735	E27 627 250	Screw	SEMS M3 x 8 CR	20	20	20	20	20	20	20	KE12D739H01	11PCS/BOX	
736	E27 628 250	Screw	UPSET M5 x 14	10	10	10	10	10	10	10	KE12D742H03	4PCS/BOX	
737	E27 629 250	Screw	UPSET M4 x 15	10	10	10	10	10	10	10	KE12D742H01	2PCS/BOX	

CONTROL BOX PARTS

No.	Part No.	Part Name	Spec.	PUCY-P400YKA.TH-T	PUCY-P460YKA.TH-T	PUCY-P600YKA.TH-T			Dwg. No.	Notes for the models	Revision info.
701	E27 981 081	Control box	P200YKA.TH(-T)						KE00A109B01		
702	E27 989 081	Control box	P200YKA.TH-BS						KE00A109B08		
703	E27 982 081	Control box	P250YKA.TH(-T)						KE00A109B02		
704	E27 990 081	Control box	P250YKA.TH-BS						KE00A109B09		
705	E27 983 081	Control box	P300YKA.TH(-T)						KE00A109B03		
706	E27 991 081	Control box	P300YKA.TH-BS						KE00A109B10		
707	E27 984 081	Control box	P350YKA.TH(-T)						KE00A109B04		
708	E27 992 081	Control box	P350YKA.TH-BS						KE00A109B11		
709	E27 985 081	Control box	P400YKA.TH(-T)	1					KE00A109B05		
710	E27 993 081	Control box	P400YKA.TH-BS						KE00A109B12		
711	E27 986 081	Control box	P450YKA.TH(-T)		1				KE00A109B06		
712	E27 994 081	Control box	P450YKA.TH-BS						KE00A109B13		
713	E27 988 081	Control box	P500YKA.TH(-T)			1			KE00A109B07		
714	E27 995 081	Control box	P500YKA.TH-BS						KE00A109B14		
715	E27 981 337	Reactor							KR65C267H01	<DCL>	
716	E27 622 337	Reactor							KR65C241H02	<DCL>	
717	E27 624 337	Reactor		1	1				KR65C240H02	<DCL>	
718	E27 626 337	Reactor				1			KR65C223H01	<DCL>	
719	E27 981 444	Noise Filter P.C. board		1	1	1			KR76C254G01	<Noise Filter,L,Plate>	
720	E27 622 374	Terminal block		1	1	1			KR73C225H01	<TB1>	
721	E27 622 351	Capacitor assy		1	1	1			KE00D709G02	<C100>	
722	E27 622 341	Relay		1	1	1			KR67C220H01	<72C>	
723	E27 981 455	Fan P.C. board		1	1	1			KE01F254B01		
724	E27 981 451	Inverter P.C. board							KE01F253B04		
725	E27 983 451	Inverter P.C. board		1	1	1			KE01F253B03		
726	E27 B88 450	Outdoor control P.C. board		1	1	1			KE01F252B02		Chg.
727	E27 622 456	M-NET board		1	1	1			KE01D803B01		
728	E27 622 360	Resistor		2	2	2			KR63C218H01	<R1,R5>	
729	E27 622 382	Fuse	3.15A AC250V T	1	1	1			YE81D571K02		
730	E27 250 382	Fuse	6.3A AC250V T	1	1	1			YE81G542H22		Chg.
731	E27 623 250	Screw	M5 × 10 KNURLED	10	10	10			KB12S216H01	4PCS/BOX	
732	E27 624 250	Screw	PTT 4 × 8	10	10	10			KE12D741H03	7PCS/BOX	
733	E27 625 250	Screw	SEMS M3 × 8	10	10	10			KE12D711H01	3PCS/BOX	
734	E27 981 250	Screw	PTT 5 × 25	10	10	10			KE12D741H04	2PCS/BOX	
735	E27 627 250	Screw	SEMS M3 × 8 CR	20	20	20			KE12D739H01	11PCS/BOX	
736	E27 628 250	Screw	UPSET M5 × 14	10	10	10			KE12D742H03	4PCS/BOX	
737	E27 629 250	Screw	UPSET M4 × 15	10	10	10			KE12D742H01	2PCS/BOX	

PUCY-P500YKA.TH
PUCY-P500YKA.TH-BS
PUCY-P500YKA.TH-T

FAN BOX PARTS



mitsubishi
electric
corporation

BWE01325C (20231130)