

SERVICE PARTS LIST FOR MITSUBISHI ELECTRIC PACKAGED AIR-CONDITIONERS

Series : PQRV-P•YLM-A1
PQRV-P•YLM-A2

Apr. 2017
BWE017020

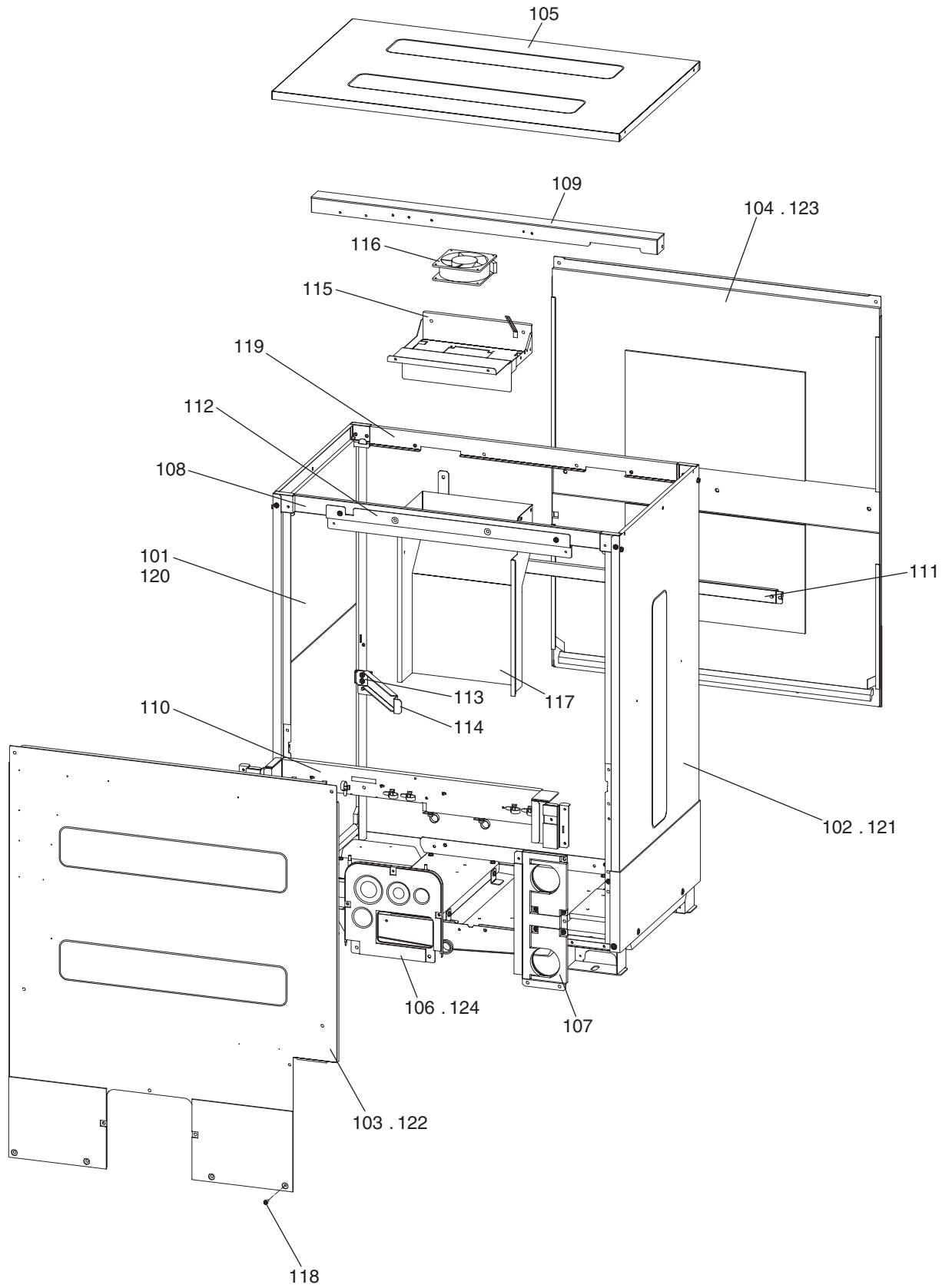
INDEX
PQRV-P200YLM-A1 PQRV-P200YLM-A2
PQRV-P250YLM-A1 PQRV-P250YLM-A2
PQRV-P300YLM-A1 PQRV-P300YLM-A2
PQRV-P350YLM-A1 PQRV-P350YLM-A2
PQRV-P400YLM-A1 PQRV-P400YLM-A2
PQRV-P450YLM-A1 PQRV-P450YLM-A2
PQRV-P500YLM-A1 PQRV-P500YLM-A2
PQRV-P550YLM-A1 PQRV-P550YLM-A2
PQRV-P600YLM-A1 PQRV-P600YLM-A2

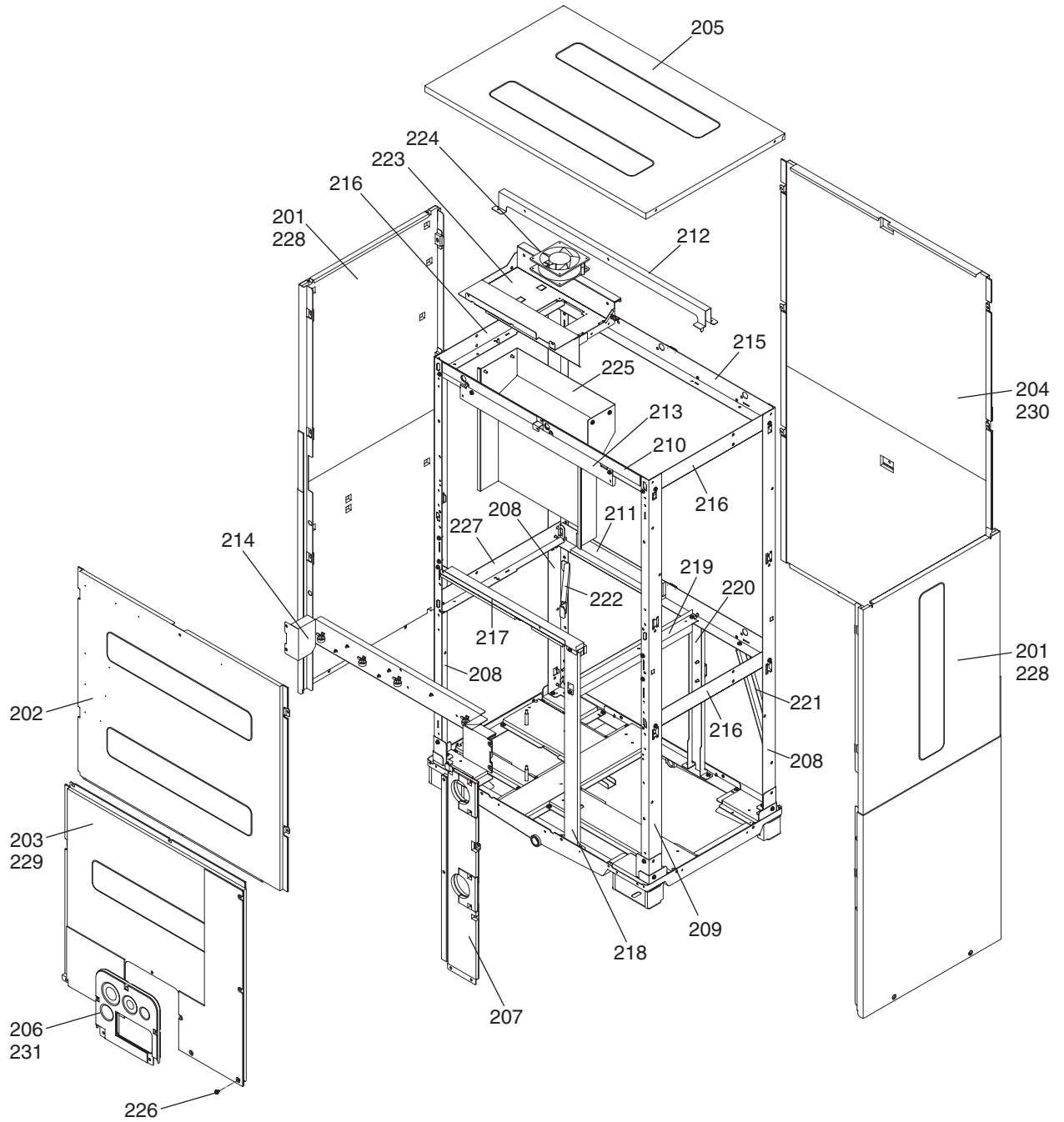
The Package name list

PQRY-P400YSLM-A1 [PQRY-P200YLM-A1+PQRY-P200YLM-A1]
PQRY-P450YSLM-A1 [PQRY-P200YLM-A1+PQRY-P250YLM-A1]
PQRY-P500YSLM-A1 [PQRY-P250YLM-A1+PQRY-P250YLM-A1]
PQRY-P550YSLM-A1 [PQRY-P250YLM-A1+PQRY-P300YLM-A1]
PQRY-P600YSLM-A1 [PQRY-P300YLM-A1+PQRY-P300YLM-A1]
PQRY-P700YSLM-A1 [PQRY-P350YLM-A1+PQRY-P350YLM-A1]
PQRY-P750YSLM-A1 [PQRY-P350YLM-A1+PQRY-P400YLM-A1]
PQRY-P800YSLM-A1 [PQRY-P400YLM-A1+PQRY-P400YLM-A1]
PQRY-P850YSLM-A1 [PQRY-P400YLM-A1+PQRY-P450YLM-A1]
PQRY-P900YSLM-A1 [PQRY-P450YLM-A1+PQRY-P450YLM-A1]
PQRY-P400YSLM-A2 [PQRY-P200YLM-A2+PQRY-P200YLM-A2]
PQRY-P450YSLM-A2 [PQRY-P200YLM-A2+PQRY-P250YLM-A2]
PQRY-P500YSLM-A2 [PQRY-P250YLM-A2+PQRY-P250YLM-A2]
PQRY-P550YSLM-A2 [PQRY-P250YLM-A2+PQRY-P300YLM-A2]
PQRY-P600YSLM-A2 [PQRY-P300YLM-A2+PQRY-P300YLM-A2]
PQRY-P700YSLM-A2 [PQRY-P350YLM-A2+PQRY-P350YLM-A2]
PQRY-P750YSLM-A2 [PQRY-P350YLM-A2+PQRY-P400YLM-A2]
PQRY-P800YSLM-A2 [PQRY-P400YLM-A2+PQRY-P400YLM-A2]
PQRY-P850YSLM-A2 [PQRY-P400YLM-A2+PQRY-P450YLM-A2]
PQRY-P900YSLM-A2 [PQRY-P450YLM-A2+PQRY-P450YLM-A2]

PQRY-P200YLM-A1,A2
PQRY-P250YLM-A1,A2
PQRY-P300YLM-A1,A2

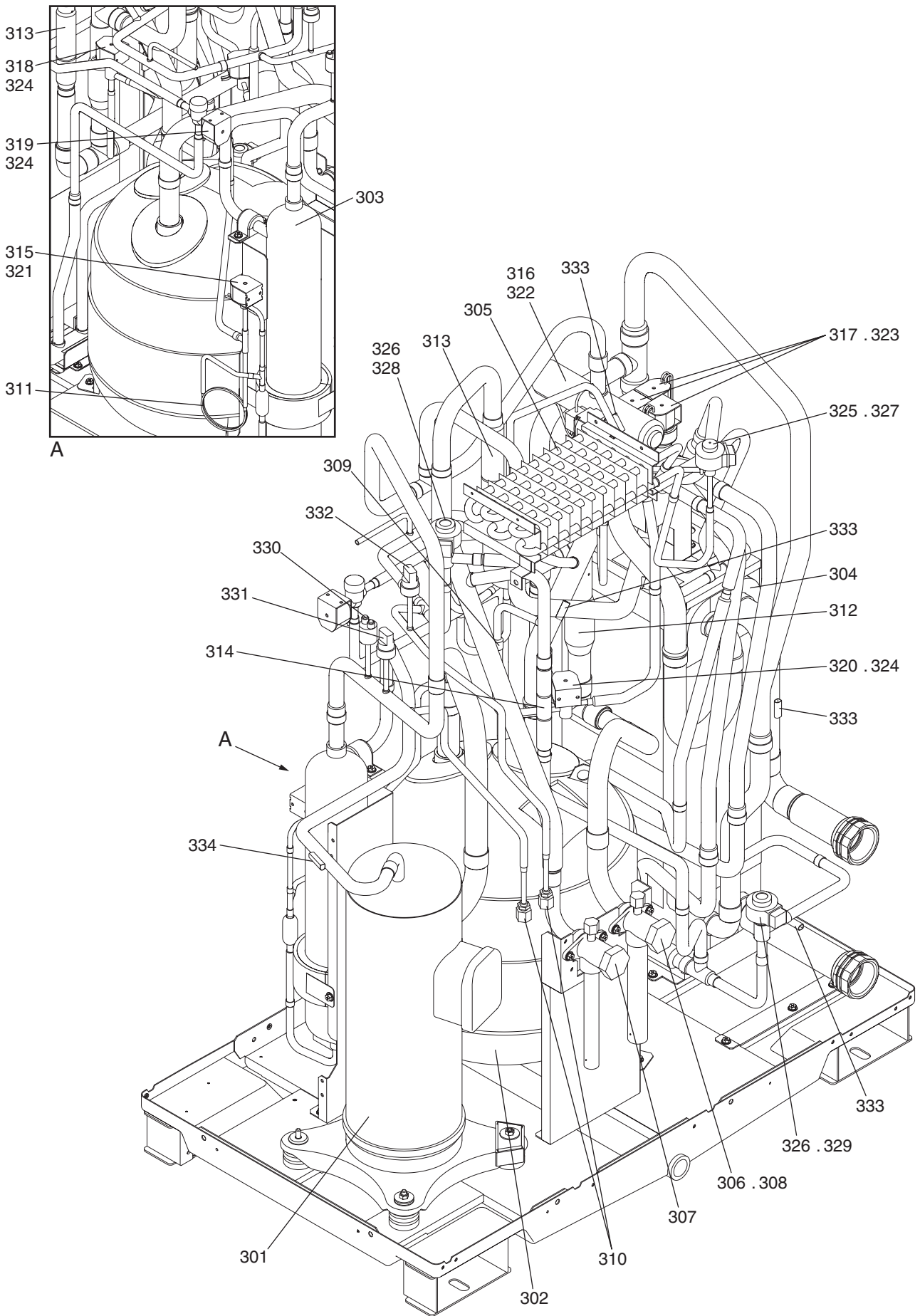
EXTERNAL PARTS (1)

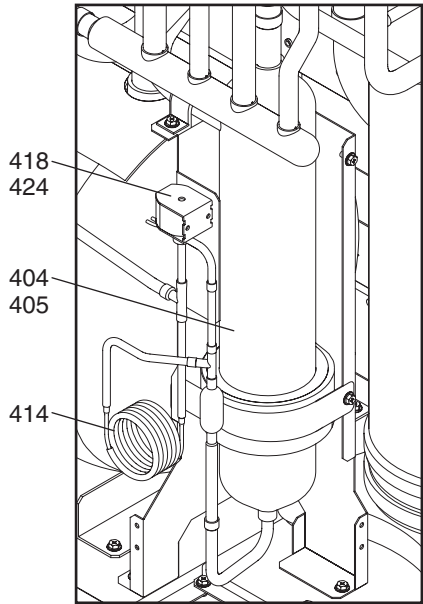




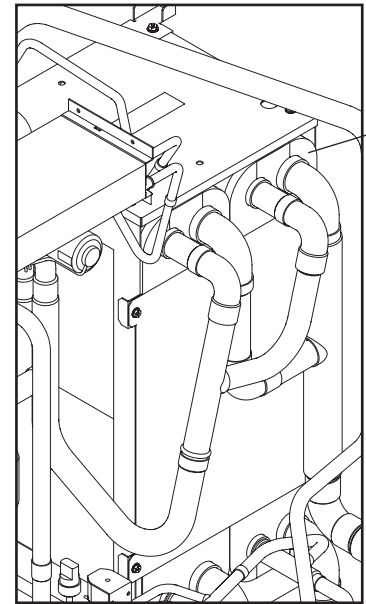
PQRY-P200YLM-A1,A2
PQRY-P250YLM-A1,A2
PQRY-P300YLM-A1,A2

FUNCTIONAL PARTS (1)

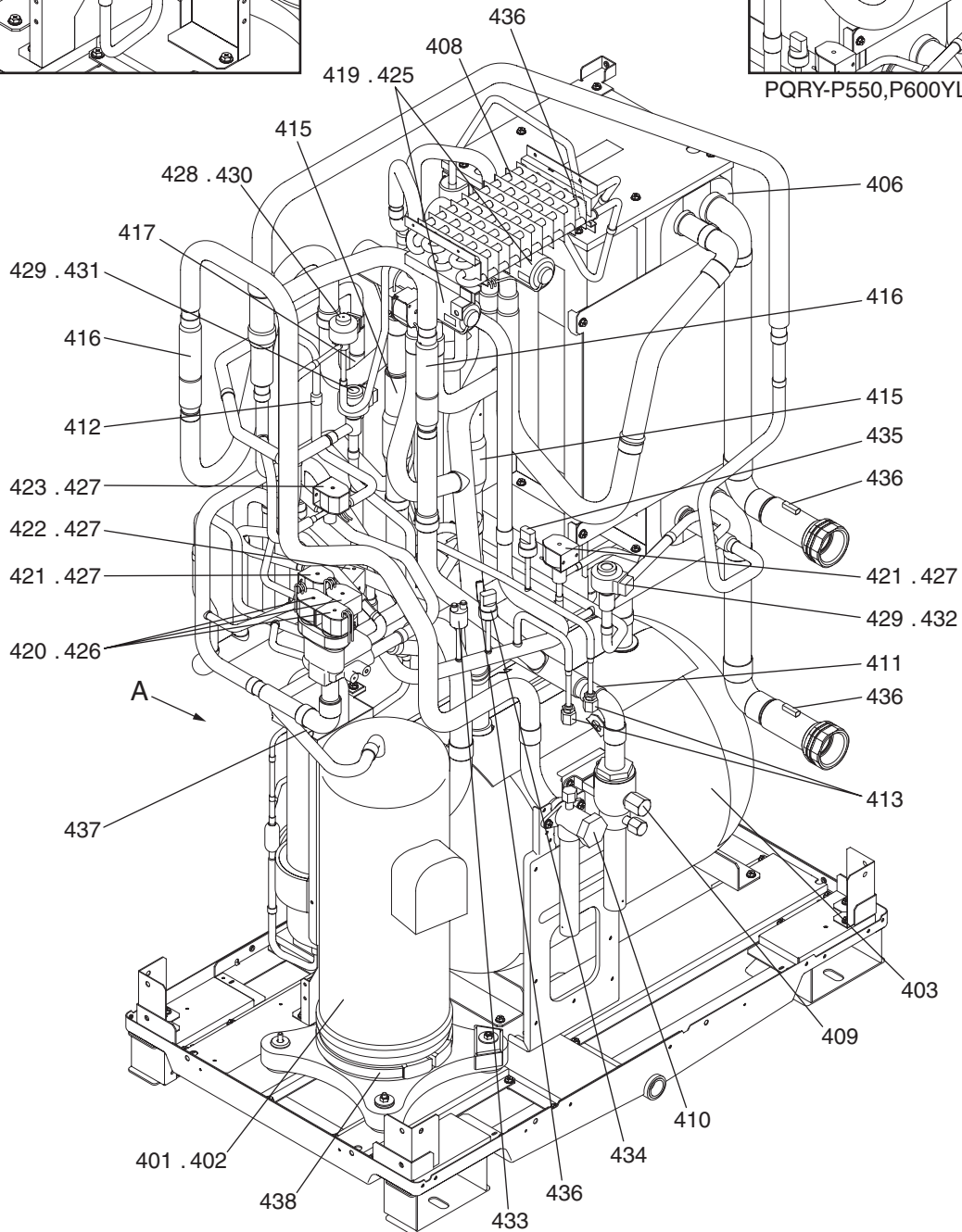




A

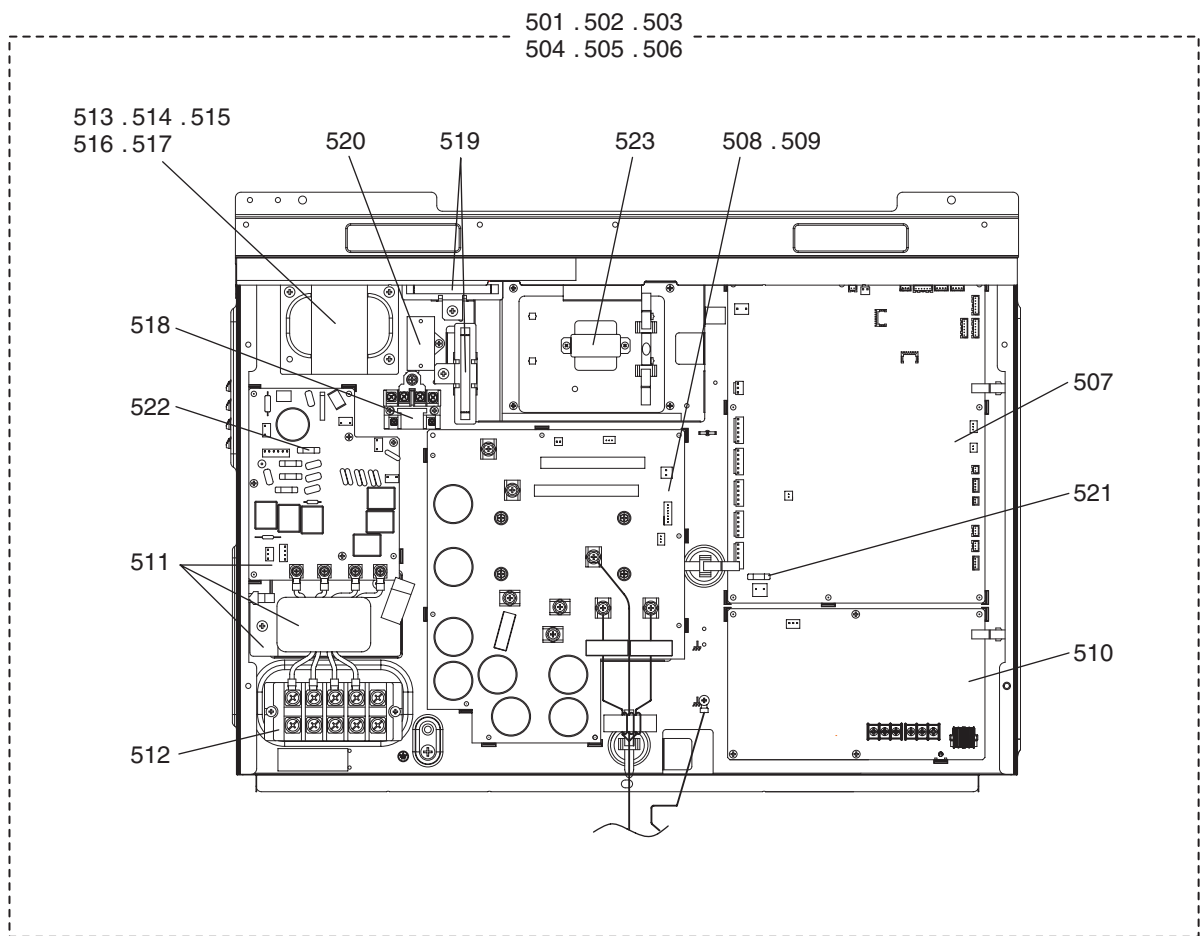


PQRY-P550,P600YLM-A1,A2



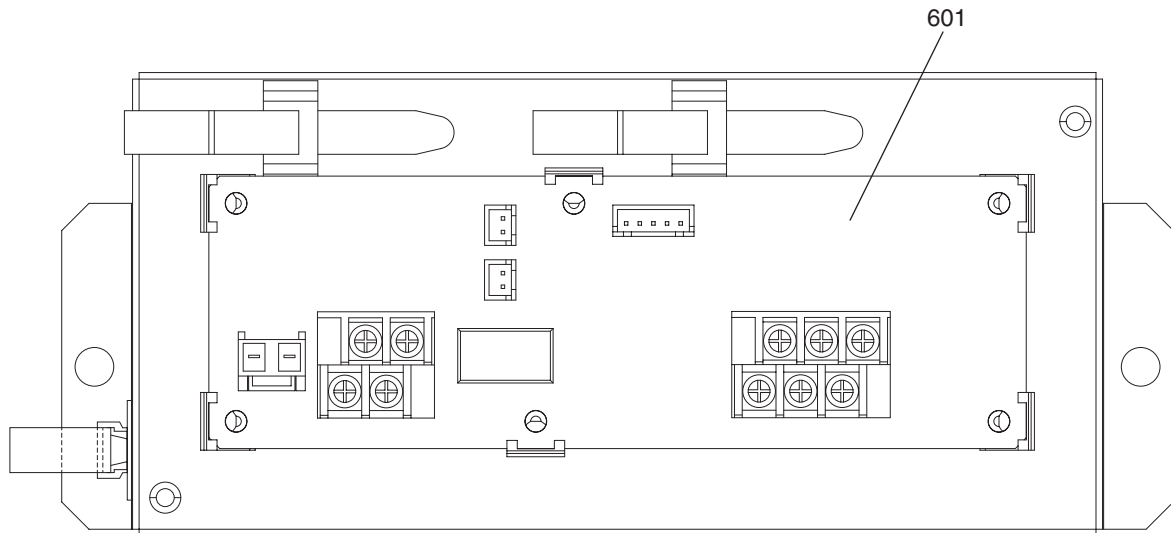
PQRY-P200,P250,P300YLM-A1,A2
PQRY-P350,P400,P450YLM-A1,A2
PQRY-P500,P550,P600YLM-A1,A2

CONTROL BOX PARTS



PQRY-P200,P250,P300YLM-A1,A2
PQRY-P350,P400,P450YLM-A1,A2
PQRY-P500,P550,P600YLM-A1,A2

I/O BOX PARTS



mitsubishi
electric
corporation

BWE017020 (20170430)