

Air-Conditioners For Building Application

HEAT SOURCE UNIT

PQHY-P-Y(S)LM-A1, PQHY-P-Y(S)LM-A2

PQRY-P-Y(S)LM-A1, PQRY-P-Y(S)LM-A2

For use with R410A

INSTALLATION MANUAL

INSTALLATIONSHANDBUCH

MANUEL D'INSTALLATION

INSTALLATIEHANDLEIDING

MANUAL DE INSTALACIÓN

MANUALE DI INSTALLAZIONE

ΕΓΧΕΙΡΙΔΙΟ ΟΔΗΓΙΩΝ ΕΓΚΑΤΑΣΤΑΣΗΣ

MANUAL DE INSTALAÇÃO

INSTALLATIONSMANUAL

INSTALLATIONSHANDBOK

MONTAJ ELKÍTABI

РЪКОВОДСТВО ЗА МОНТАЖ

PODRECZNIK INSTALACJI

INSTALLASJONSHÅNDBOK

ASENNUSOPAS

РУКОВОДСТВО ПО УСТАНОВКЕ

ПОСІБНИК З УСТАНОВЛЕННЯ

PŘÍRUČKA K INSTALACI

NÁVOD NA INŠTALÁCIU

TELEPÍTÉSI KÉZIKÖNYV

PRIROČNIK ZA NAMESTITEV

MANUAL CU INSTRUCȚIUNI DE INSTALARE

PAIGALDUSJUHEND

MONTĀŽAS ROKASGRĀMATA

MONTAVIMO VADOVAS

PRIRUČNIK ZA UGRADNJU

UPUTSTVO ZA UGRADNJU

en

de

fr

nl

es

it

el

pt

da

sv

tr

bg

pl

no

fi

ru

uk

cs

sk

hu

sl

ro

et

lv

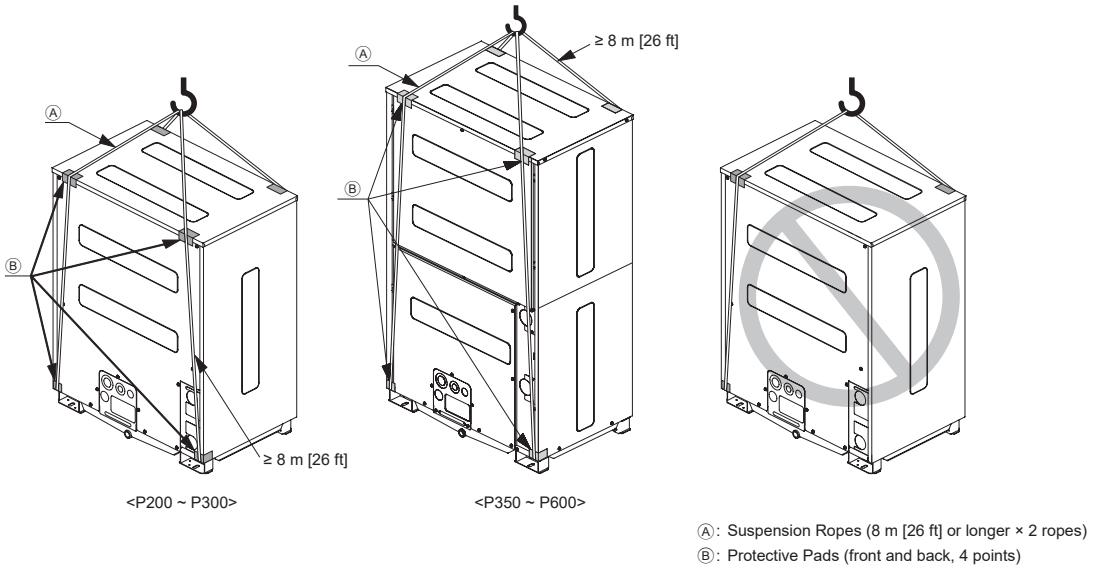
lt

hr

sr

6

[Fig. 6.0.1]

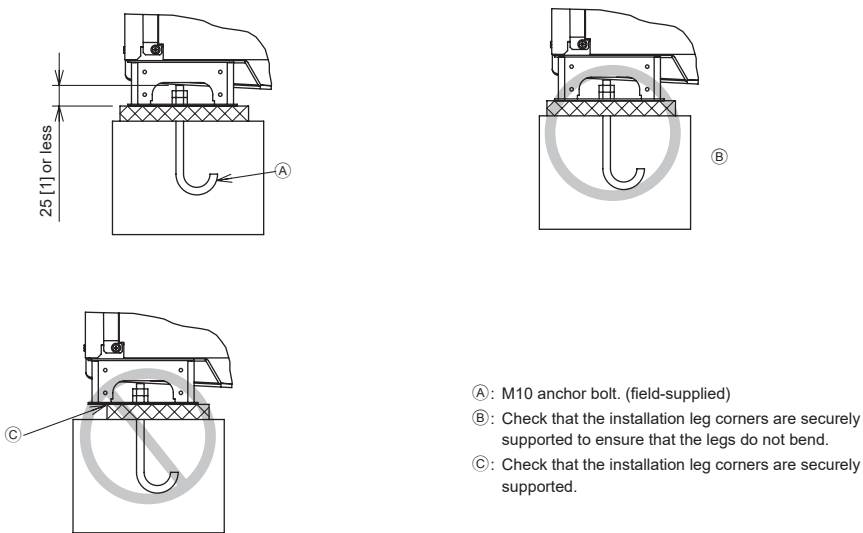


7

7.1

[Fig. 7.1.1]

(Unit: mm [in])

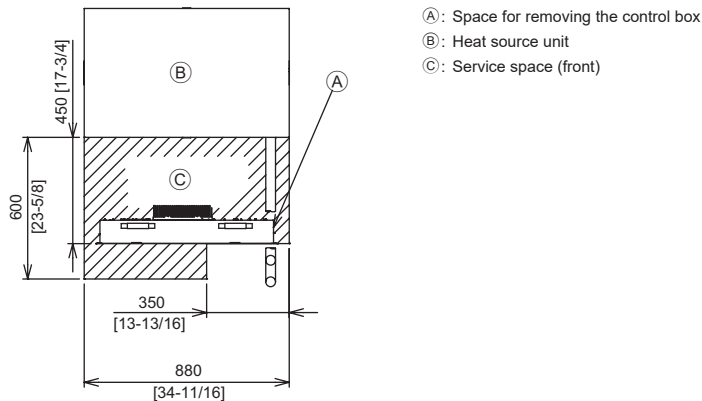


7

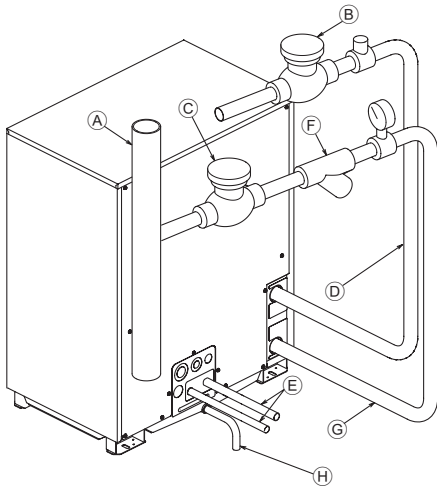
7.2

[Fig. 7.2.1]

(Unit: mm [in])



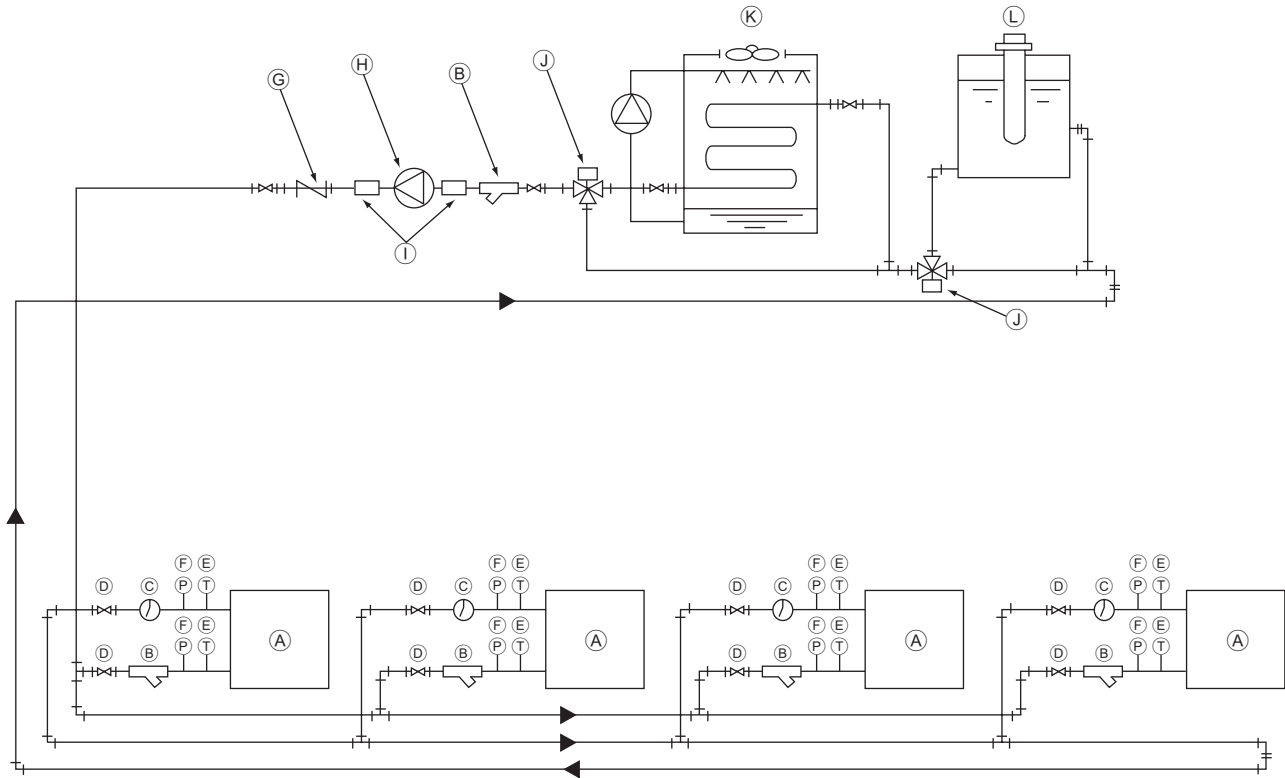
[Fig. 8.1.1]



- Ⓐ: Main circulating water pipe
- ⓓ: Water outlet (upper)
- ⓖ: Water inlet (lower)
- Ⓑ: Shutoff valve
- ⓔ: Refrigerant pipes
- ⓗ: Drain pipe
- Ⓒ: Shutoff valve
- ⓕ: Y-type strainer

Heat source unit sample installation

[Fig. 8.1.2] System example of water circuit



Note: The figure above shows a sample water circuit. This circuit is provided only as a reference, and Mitsubishi Electric Corporation shall not be held for any problems arising from the use of this circuit.

- Ⓐ: Heat source unit
- ⓓ: Shutoff valve *1
- ⓖ: Backflow prevention valve
- ⓗ: Pump
- ⓙ: 3-way valve
- Ⓑ: Strainer *1
- ⓔ: Temperature gauge *1
- ⓗ: Pump
- Ⓚ: Cooling tower
- Ⓒ: Flow Switch *1*2
- ⓕ: Pressure gauge *1
- ⓙ: Flexible joint
- Ⓛ: Heating tank

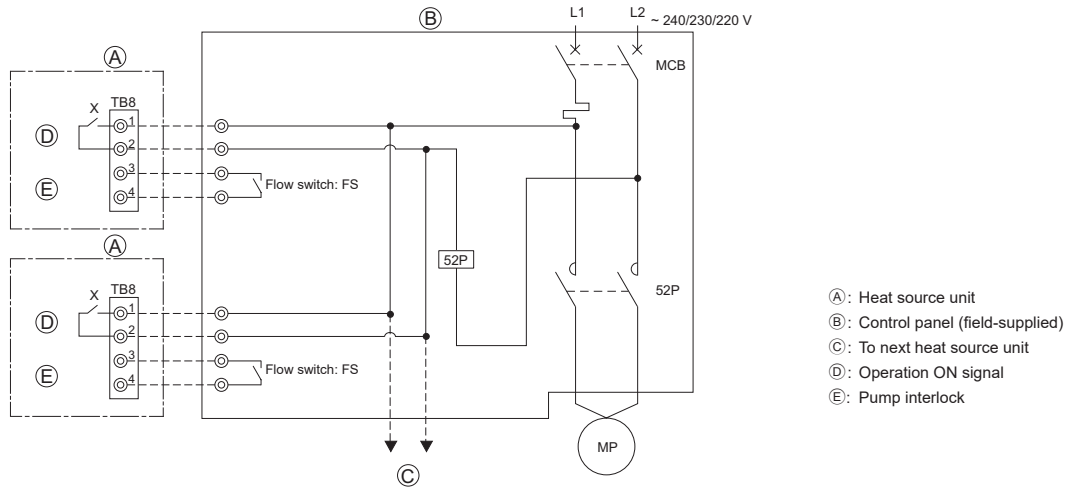
*1 These items are field supplied.

*2 As for flow switch setting, please refer to "8.4 Pump interlock".

[Fig. 8.4.1]

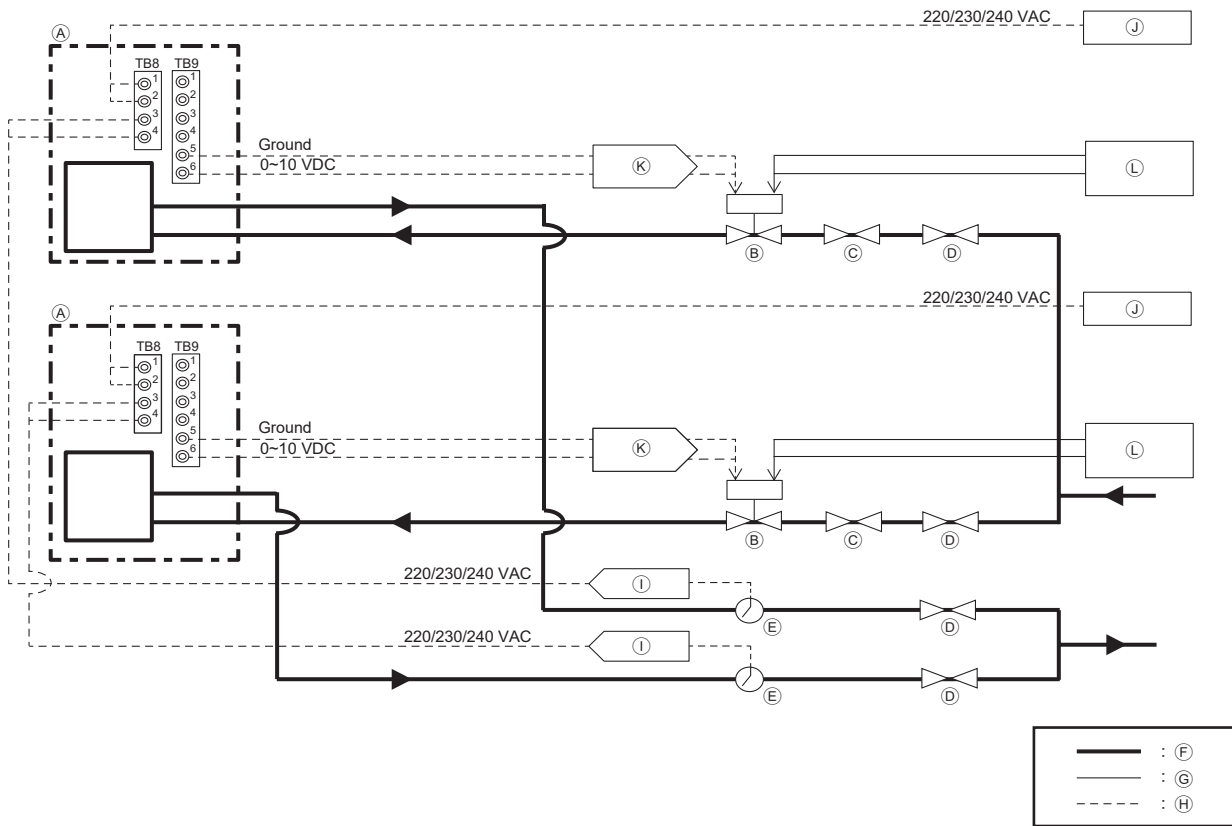


[Fig. 8.4.2]



- Ⓐ: Heat source unit
- Ⓑ: Control panel (field-supplied)
- Ⓒ: To next heat source unit
- Ⓓ: Operation ON signal
- Ⓔ: Pump interlock

[Fig. 8.5.1]



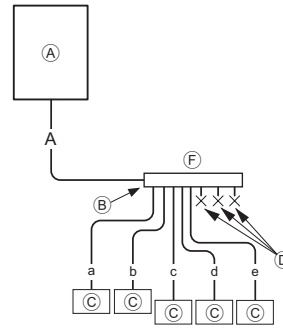
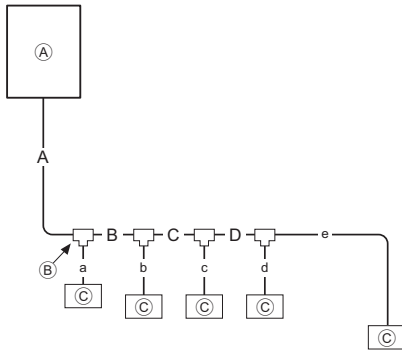
- Ⓐ: Heat source unit
- Ⓑ: Motor valve *1
- Ⓒ: Tuning valve *1
- Ⓓ: Shutoff valve *1
- Ⓔ: Flow switch *1
- Ⓕ: Water pipe
- Ⓖ: Power cable
- Ⓗ: Signal cable
- Ⓘ: Pump interlock
- Ⓢ: Operation ON signal
- Ⓚ: Opening command
- Ⓛ: Power supply for motor valve (24 VAC or 24 VDC) *2

*1 These items are not supplied.

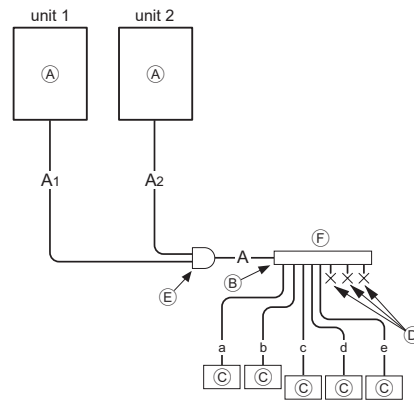
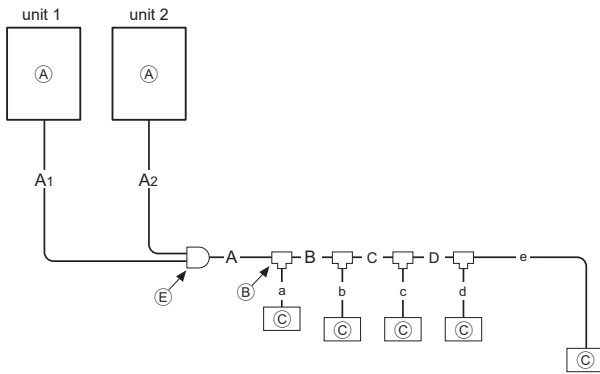
*2 Do not connect the power cables to TB9-1 and 2 to supply power to the motor valve. Doing so may cause damage to the Input/Output board.

[Fig. 9.2.1]

[PQHY-P200~P600YLM-A1, PQHY-P200~P600YLM-A2]



[PQHY-P400~P900YSLM-A1, PQHY-P400~P900YSLM-A2]

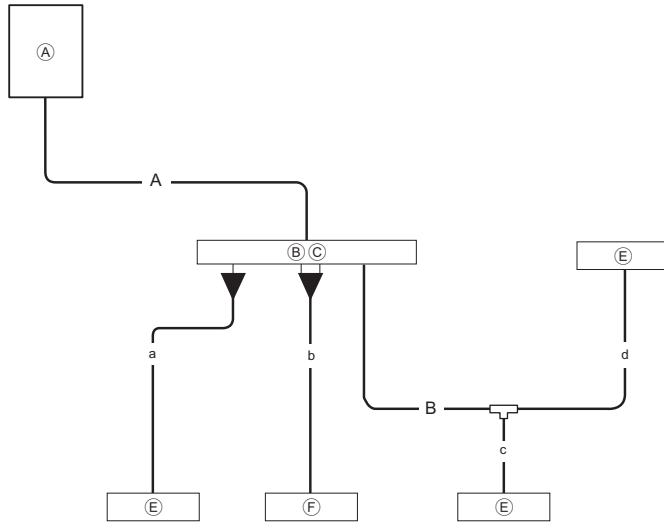


- Ⓐ: Heat source unit
- Ⓑ: 1st branch
- Ⓒ: Indoor unit
- Ⓓ: Cap
- Ⓔ: Heat source twinning kit
- Ⓕ: Header

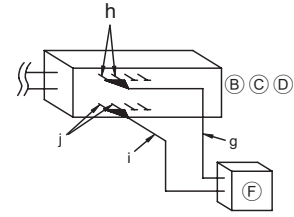
* The total length of A1 and A2 is less than 10 m [32 ft].

[Fig. 9.2.2]

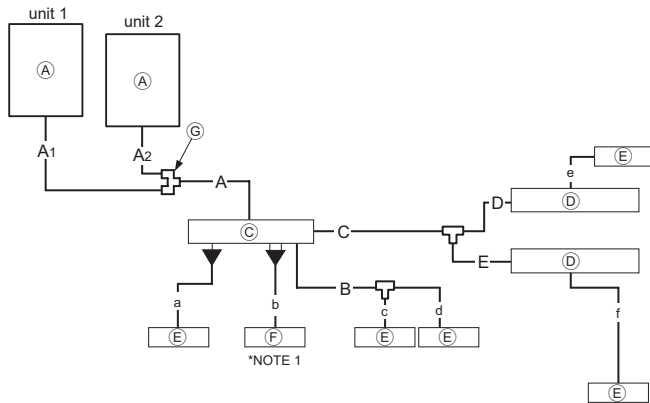
[PQRY-P200~P600YLM-A1, PQRY-P200~P600YLM-A2]



(*NOTE 1)



[PQRY-P400~P900YSLM-A1, PQRY-P400~P900YSLM-A2]



*NOTE 1

- Ⓐ: Heat source unit
- Ⓑ: BC controller (standard)
- Ⓒ: BC controller (main)
- Ⓓ: BC controller (sub)
- Ⓔ: Indoor unit (10 ~ 80)
- Ⓕ: Indoor unit (100 ~ 250)
- Ⓖ: Heat source twinning kit

PQHY-P-Y(S)LM-A1, PQHY-P-Y(S)LM-A2

A

(Unit: mm [in])

A Heat source model	Unit combination		A		A1 ^{*4}		A2 ^{*4}	
	Unit1	Unit2	B Liquid side	C Gas side	B Liquid side	C Gas side	B Liquid side	C Gas side
P200YLM	-	-	ø9.52 [3/8]	ø19.05 [3/4]	-	-	-	-
P250YLM	-	-	^{*1} ø9.52 [3/8]	ø22.2 [7/8]	-	-	-	-
P300YLM	-	-	^{*2} ø9.52 [3/8]	ø22.2 [7/8]	-	-	-	-
P350YLM	-	-	ø12.7 [1/2]	ø28.58 [1-1/8]	-	-	-	-
P400YLM	-	-	ø15.88 [5/8]	ø28.58 [1-1/8]	-	-	-	-
P400YSLM	P200	P200	ø15.88 [5/8]	ø28.58 [1-1/8]	ø9.52 [3/8]	ø19.05 [3/4]	ø9.52 [3/8]	ø19.05 [3/4]
P450YLM	-	-	ø15.88 [5/8]	ø28.58 [1-1/8]	-	-	-	-
P450YSLM	P250	P200	ø15.88 [5/8]	ø28.58 [1-1/8]	ø9.52 [3/8]	ø22.2 [7/8]	ø9.52 [3/8]	ø22.2 [7/8]
P500YLM	-	-	ø15.88 [5/8]	ø28.58 [1-1/8]	-	-	-	-
P500YSLM	P250	P250	ø15.88 [5/8]	ø28.58 [1-1/8]	ø9.52 [3/8]	ø22.2 [7/8]	ø9.52 [3/8]	ø22.2 [7/8]
P550YLM	-	-	ø15.88 [5/8]	ø28.58 [1-1/8]	-	-	-	-
P550YSLM	P300	P250	ø15.88 [5/8]	ø28.58 [1-1/8]	ø12.7 [1/2]	ø22.2 [7/8]	ø12.7 [1/2]	ø22.2 [7/8]
P600YLM	-	-	ø15.88 [5/8]	ø28.58 [1-1/8]	-	-	-	-
P600YSLM	P300	P300	ø15.88 [5/8]	ø28.58 [1-1/8]	ø12.7 [1/2]	ø22.2 [7/8]	ø12.7 [1/2]	ø22.2 [7/8]
P700YSLM	P350	P350	ø19.05 [3/4]	ø34.93 [1-3/8]	ø12.7 [1/2]	ø28.58 [1-1/8]	ø12.7 [1/2]	ø28.58 [1-1/8]
P750YSLM	P400	P350	ø19.05 [3/4]	ø34.93 [1-3/8]	ø15.88 [5/8]	ø28.58 [1-1/8]	ø15.88 [5/8]	ø28.58 [1-1/8]
P800YSLM	P400	P400	ø19.05 [3/4]	ø34.93 [1-3/8]	ø15.88 [5/8]	ø28.58 [1-1/8]	ø15.88 [5/8]	ø28.58 [1-1/8]
P850YSLM	P450	P400	ø19.05 [3/4]	ø41.28 [1-5/8]	ø15.88 [5/8]	ø28.58 [1-1/8]	ø15.88 [5/8]	ø28.58 [1-1/8]
P900YSLM	P450	P450	ø19.05 [3/4]	ø41.28 [1-5/8]	ø15.88 [5/8]	ø28.58 [1-1/8]	ø15.88 [5/8]	ø28.58 [1-1/8]

PQRY-P-Y(S)LM-A1, PQRY-P-Y(S)LM-A2

A

(Unit: mm [in])

A Heat source model	Unit combination		A		A1 ^{*4}		A2 ^{*4}	
	Unit1	Unit2	D High pressure side	E Low pressure side	D High pressure side	E Low pressure side	D High pressure side	E Low pressure side
P200YLM	-	-	ø15.88 [5/8]	ø19.05 [3/4]	-	-	-	-
P250YLM	-	-	ø19.05 [3/4]	ø22.2 [7/8]	-	-	-	-
P300YLM	-	-	ø19.05 [3/4]	ø22.2 [7/8]	-	-	-	-
P350YLM	-	-	ø22.2 [7/8]	ø28.58 [1-1/8]	-	-	-	-
P400YLM	-	-	ø22.2 [7/8]	ø28.58 [1-1/8]	-	-	-	-
P400YSLM	P200	P200	ø22.2 [7/8]	ø28.58 [1-1/8]	ø15.88 [5/8]	ø19.05 [3/4]	ø15.88 [5/8]	ø19.05 [3/4]
P450YLM	-	-	ø22.2 [7/8]	ø28.58 [1-1/8]	-	-	-	-
P450YSLM	P250	P200	ø22.2 [7/8]	ø28.58 [1-1/8]	ø19.05 [3/4]	ø22.2 [7/8]	ø19.05 [3/4]	ø22.2 [7/8]
P500YLM	-	-	ø22.2 [7/8]	ø28.58 [1-1/8]	-	-	-	-
P500YSLM	P250	P250	ø22.2 [7/8]	ø28.58 [1-1/8]	ø19.05 [3/4]	ø22.2 [7/8]	ø19.05 [3/4]	ø22.2 [7/8]
P550YLM	-	-	^{*3} ø22.2 [7/8]	ø28.58 [1-1/8]	-	-	-	-
P550YSLM	P300	P250	^{*3} ø22.2 [7/8]	ø28.58 [1-1/8]	ø19.05 [3/4]	ø22.2 [7/8]	ø19.05 [3/4]	ø22.2 [7/8]
P600YLM	-	-	^{*3} ø22.2 [7/8]	ø34.93 [1-3/8]	-	-	-	-
P600YSLM	P300	P300	^{*3} ø22.2 [7/8]	ø34.93 [1-3/8]	ø19.05 [3/4]	ø22.2 [7/8]	ø19.05 [3/4]	ø22.2 [7/8]
P700YSLM	P350	P350	ø28.58 [1-1/8]	ø34.93 [1-3/8]	ø22.2 [7/8]	ø28.58 [1-1/8]	ø22.2 [7/8]	ø28.58 [1-1/8]
P750YSLM	P400	P350	ø28.58 [1-1/8]	ø34.93 [1-3/8]	ø22.2 [7/8]	ø28.58 [1-1/8]	ø22.2 [7/8]	ø28.58 [1-1/8]
P800YSLM	P400	P400	ø28.58 [1-1/8]	ø34.93 [1-3/8]	ø22.2 [7/8]	ø28.58 [1-1/8]	ø22.2 [7/8]	ø28.58 [1-1/8]
P850YSLM	P450	P400	ø28.58 [1-1/8]	ø41.28 [1-5/8]	ø22.2 [7/8]	ø28.58 [1-1/8]	ø22.2 [7/8]	ø28.58 [1-1/8]
P900YSLM	P450	P450	ø28.58 [1-1/8]	ø41.28 [1-5/8]	ø22.2 [7/8]	ø28.58 [1-1/8]	ø22.2 [7/8]	ø28.58 [1-1/8]

*1 ø12.7 [1/2] for over 90 m [295 ft]

*2 ø12.7 [1/2] for over 40 m [131 ft]

*3 When the piping length is 65 m [213 ft] or longer, use the ø28.58 [1-1/8] pipe for the part that exceeds 65 m [213 ft].

*4 The pipe sizes listed in columns A1 to A2 in this table correspond to the sizes for the models listed in the unit 1 and 2 columns. When the order of the models for unit 1 and 2 change, make sure to use the appropriate pipe size.

*5 B If the piping length after the first joint exceeds 40 m [131 ft] (≤ 90 m [295 ft]), use the one size larger liquid pipe for the indoor unit. (for PQHY-P series)

*6 For how to connect to the Hydro BC controller, refer to the Installation Manual that came with the Hydro BC controller.

PQHY-P·Y(S)LM-A1, PQHY-P·Y(S)LM-A2

B, C, D

(Unit: mm [in])

<input type="checkbox"/> Total capacity of indoor units	<input type="checkbox"/> Liquid pipe	<input type="checkbox"/> Gas pipe
~ 140	ø9.52 [3/8]	ø15.88 [5/8]
141 ~ 200	ø9.52 [3/8]	ø19.05 [3/4]
201 ~ 300	ø9.52 [3/8]	ø22.2 [7/8]
301 ~ 400	ø12.7 [1/2]	ø28.58 [1-1/8]
401 ~ 650	ø15.88 [5/8]	ø28.58 [1-1/8]
651 ~ 800	ø19.05 [3/4]	ø34.93 [1-3/8]
801 ~	ø19.05 [3/4]	ø41.28 [1-5/8]

a, b, c, d, e

(Unit: mm [in])

<input type="checkbox"/> Model number	<input type="checkbox"/> Liquid pipe	<input type="checkbox"/> Gas pipe
10, 15, 20, 25, 32, 40, 50	ø6.35 [1/4]	ø12.7 [1/2]
63, 71, 80, 100, 125, 140	ø9.52 [3/8]	ø15.88 [5/8]
200	ø9.52 [3/8]	ø19.05 [3/4]
250	ø9.52 [3/8]	ø22.2 [7/8]

<input type="checkbox"/> Downstream unit model total	<input type="checkbox"/> Joint
~ 200	CMY-Y102SS-G2
201 ~ 400	CMY-Y102LS-G2
<input type="checkbox"/> The 1st branch of P200 ~ P300	CMY-Y202S-G2
401 ~ 650	
<input type="checkbox"/> The 1st branch of P350 ~ P600	CMY-Y302S-G2
651 ~	
<input type="checkbox"/> The 1st branch of P700 ~ P900	

<input type="checkbox"/> Heat source model	<input type="checkbox"/> Heat source twinning kit
P400 ~ P600	CMY-Y100VBK3
P700 ~ P900	CMY-Y200VBK2

<input type="checkbox"/> 4-Branch header (Downstream unit model total ≤ 200)	<input type="checkbox"/> 8-Branch header (Downstream unit model total ≤ 350)	<input type="checkbox"/> 10-Branch header (Downstream unit model total ≤ 600)
CMY-Y104-G	CMY-Y108-G	CMY-Y1010-G

PQRY-P·Y(S)LM-A1, PQRY-P·Y(S)LM-A2

B

(Unit: mm [in])

<input type="checkbox"/> Total capacity of indoor units	<input type="checkbox"/> Liquid pipe	<input type="checkbox"/> Gas pipe
~ 80	ø9.52 [3/8]	ø15.88 [5/8]

C, D, E

(Unit: mm [in])

<input type="checkbox"/> Downstream unit model total	<input type="checkbox"/> High-pressure gas pipe	<input type="checkbox"/> Low-pressure gas pipe	<input type="checkbox"/> Liquid pipe
~ 200	ø15.88 [5/8]	ø19.05 [3/4]	ø9.52 [3/8]
201 ~ 300	ø19.05 [3/4]	ø22.2 [7/8]	ø9.52 [3/8]
301 ~ 350	ø19.05 [3/4]	ø28.58 [1-1/8]	ø12.7 [1/2]
351 ~ 400	ø22.2 [7/8]	ø28.58 [1-1/8]	ø12.7 [1/2]
401 ~ 600	ø22.2 [7/8]	ø28.58 [1-1/8]	ø15.88 [5/8]
601 ~ 650	ø28.58 [1-1/8]	ø28.58 [1-1/8]	ø15.88 [5/8]
651 ~ 800	ø28.58 [1-1/8]	ø34.93 [1-3/8]	ø19.05 [3/4]
801 ~ 1000	ø28.58 [1-1/8]	ø41.28 [1-5/8]	ø19.05 [3/4]
1001 ~	ø34.93 [1-3/8]	ø41.28 [1-5/8]	ø19.05 [3/4]

a, b, c, d, e, f

(Unit: mm [in])

<input type="checkbox"/> Model number	<input type="checkbox"/> Liquid pipe	<input type="checkbox"/> Gas pipe
10, 15, 20, 25, 32, 40, 50	ø6.35 [1/4]	ø12.7 [1/2]
63, 71, 80, 100, 125, 140	ø9.52 [3/8]	ø15.88 [5/8]
200	ø9.52 [3/8]	ø19.05 [3/4]
250	ø9.52 [3/8]	ø22.2 [7/8]

g, h, i, j

(Unit: mm [in])

<input type="checkbox"/> Model number	<input type="checkbox"/> Liquid pipe		<input type="checkbox"/> Gas pipe	
	g	h	i	j
100	ø9.52 [3/8]	ø9.52 [3/8]	ø15.88 [5/8]	ø15.88 [5/8]
125	ø9.52 [3/8]	ø9.52 [3/8]	ø15.88 [5/8]	ø15.88 [5/8]
140	ø9.52 [3/8]	ø9.52 [3/8]	ø15.88 [5/8]	ø15.88 [5/8]
200	ø9.52 [3/8]	ø9.52 [3/8]	ø19.05 [3/4]	ø15.88 [5/8]
250	ø9.52 [3/8]	ø9.52 [3/8]	ø22.2 [7/8]	ø15.88 [5/8]

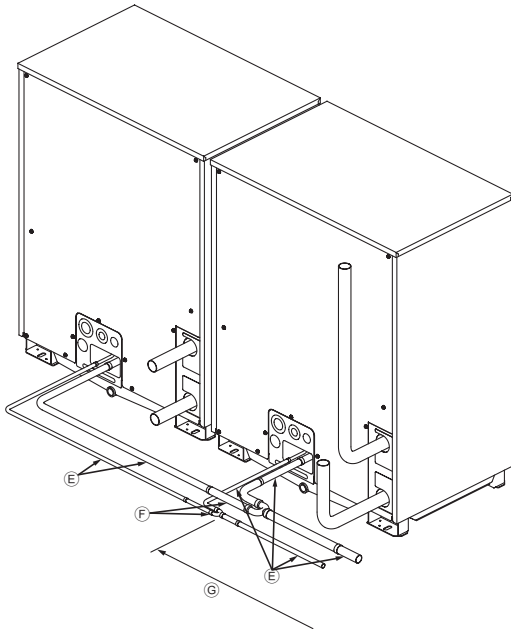
<input type="checkbox"/> Heat source model	<input type="checkbox"/> Heat source twinning kit
P400 ~ P600	CMY-Q100CBK2
P700 ~ P900	CMY-Q200CBK

[Fig. 9.2.3]

<A> When the piping (from the twinning pipe) exceeds 2 m [6 ft], include a trap (gas pipe only) within 2 m [6 ft]. Make sure the height of the trap is 200 mm [7-7/8 in] or more. If there is no trap, oil can accumulate inside the pipe, causing a shortage of oil damaging the compressor. (for PQHY-P series)



 Example of piping connection (for PQHY-P series)



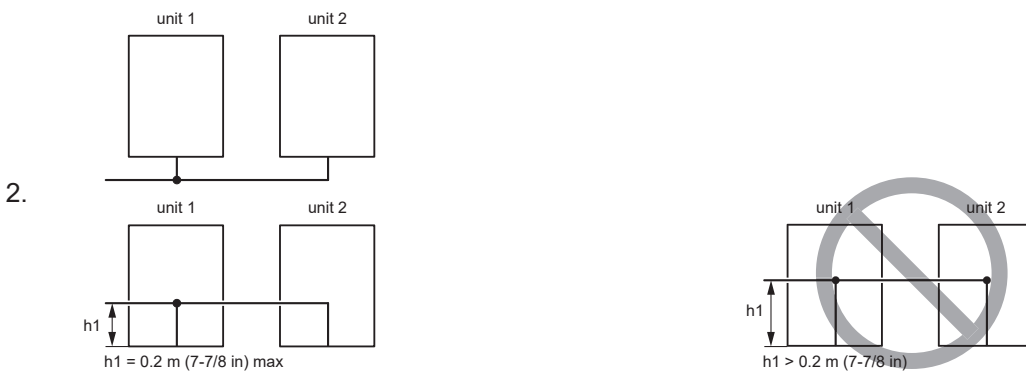
- Ⓐ: Indoor unit
- Ⓑ: Trap (gas pipe only)
- Ⓒ: Within 2 m [6 ft]
- Ⓓ: Twinning pipe
- Ⓔ: Field-supplied piping
- Ⓕ: Twinning kit
- Ⓖ: Straight pipe length that is 500 mm [19-11/16 in] or more

[Fig. 9.2.4]

<A> Install the piping so that oil will not accumulate in the stopped heat source unit. (both the liquid and the gas side for PQHY-P series, the high-pressure side only for PQRV-P series)

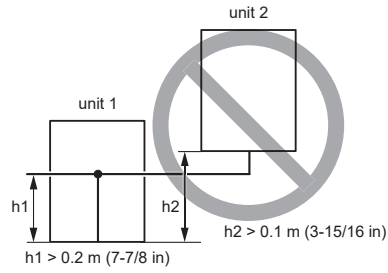
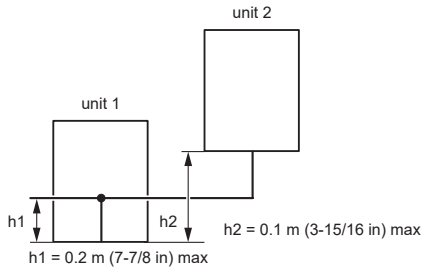


The NG example shows that oil accumulates because the units are installed on a reverse gradient while unit 1 is in operation, and unit 2 is stopped.



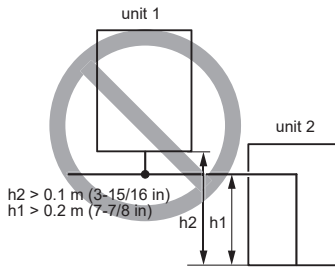
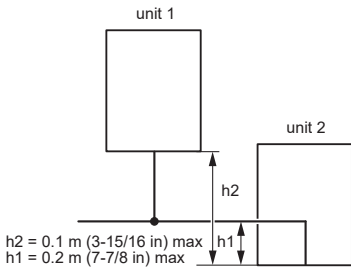
The NG example shows that oil accumulates into unit 1 while unit 2 is in operation, and unit 1 is stopped. Vertical pipe height (h) should be 0.2 m (7-7/8 in) or below.

3.



The NG example shows that oil accumulates into unit 1 while unit 2 is in operation, and unit 1 is stopped. Vertical pipe height (h) should be 0.2 m (7-7/8 in) or below.

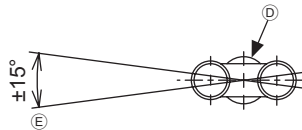
4.



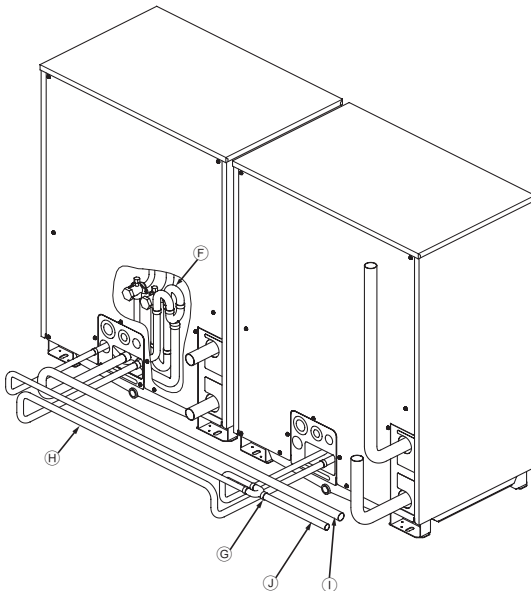
The NG example shows that oil accumulates into unit 2 while unit 1 is in operation, and unit 2 is stopped. Vertical pipe height (h) should be 0.2 m (7-7/8 in) or below.

 Slope of twinning pipes (for PQHY-P series)

Make sure the slope of the twinning pipes are at an angle within $\pm 15^\circ$ to the horizontal plane. If the slope exceeds the angle specified, the unit may be damaged.



<C> Example of piping connection (for PQRV-P series)

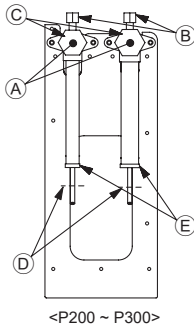


- Ⓐ: Slope downward
- Ⓑ: Slope upward
- Ⓒ: BC controller (standard or main)
- Ⓓ: Twinning pipe
- Ⓔ: Slope of the twinning pipe is at an angle within $\pm 15^\circ$ to the earth
- Ⓕ: Twinning pipe (low-pressure side)
- Ⓖ: Twinning pipe (high-pressure side)
- Ⓗ: Field-supplied piping (low-pressure connecting pipe: between heat source units)
- Ⓘ: Field-supplied piping (low-pressure main pipe: to BC controller)
- ⓵: Field-supplied piping (high-pressure main pipe: to BC controller)

[Fig. 10.2.1]

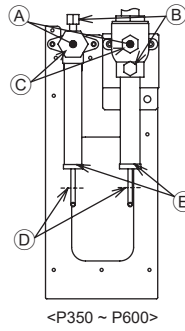
<A> Service valve for refrigerant
(Liquid side/brazed for PQHY-P series)
(High-pressure side/brazed for PQRYP series)

 Service valve for refrigerant
(Gas side/brazed for PQHY-P series)
(Low-pressure side/brazed for PQRYP series)



<P200 ~ P300>

- A: Shaft
- B: Service port
- C: Cap
- D: Pinched connecting pipe severing portion
- E: Pinched connecting pipe brazing portion



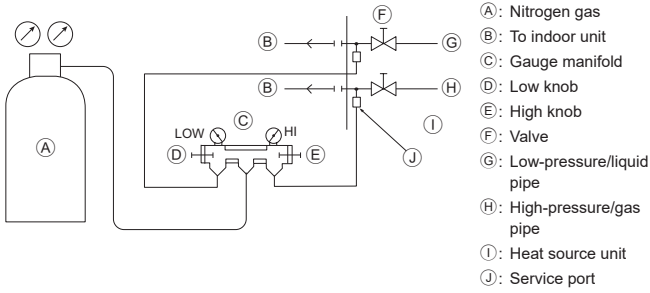
<P350 ~ P600>

[Fig. 10.2.2]

No.		①	②	③	④
A Shape					
PQHY	P200YLM	1 Gas side	-	1 <C> Liquid side	-
	P250YLM	1 Gas side	-	1 <C> Liquid side	-
	P300YLM	1 Gas side	-	1 <C> Liquid side	-
	P350YLM	-	1 Gas side	-	1 <C> Liquid side
	P400YLM	-	1 Gas side	-	1 <C> Liquid side
	P450YLM	-	1 Gas side	-	1 <C> Liquid side
	P500YLM	-	1 Gas side	-	1 <C> Liquid side
	P550YLM	-	1 Gas side	-	1 <C> Liquid side
P600YLM	-	1 Gas side	-	1 <C> Liquid side	
PQRYP	P200YLM	1 Low-pressure side	-	-	-
	P250YLM	1 Low-pressure side	-	-	-
	P300YLM	1 Low-pressure side	-	-	-
	P350YLM	-	-	-	-
	P400YLM	-	-	-	-
	P450YLM	-	-	-	-
	P500YLM	-	-	-	-
	P550YLM	-	-	-	-
P600YLM	-	-	-	-	

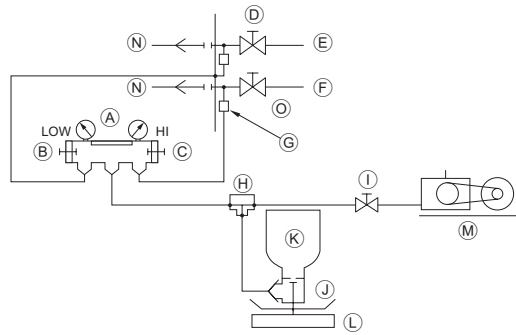
No.		⑤	⑥	⑦	⑧
A Shape					
PQHY	P200YLM	-	-	-	1
	P250YLM	-	-	-	1
	P300YLM	-	-	-	1
	P350YLM	-	-	-	1
	P400YLM	-	-	-	1
	P450YLM	-	-	-	1
	P500YLM	-	-	-	1
	P550YLM	-	-	-	1
P600YLM	-	-	-	1	
PQRYP	P200YLM	1 <C> High-pressure side	-	-	-
	P250YLM	1 <C> High-pressure side	-	-	-
	P300YLM	1 <C> High-pressure side	-	-	-
	P350YLM	-	1 Low-pressure side	1 <C> High-pressure side	-
	P400YLM	-	1 Low-pressure side	1 <C> High-pressure side	-
	P450YLM	-	1 Low-pressure side	1 <C> High-pressure side	-
	P500YLM	-	1 Low-pressure side	1 <C> High-pressure side	-
	P550YLM	-	1 Low-pressure side	1 <C> High-pressure side	-
P600YLM	-	1 Low-pressure side	1 <C> High-pressure side	-	

[Fig. 10.3.1]



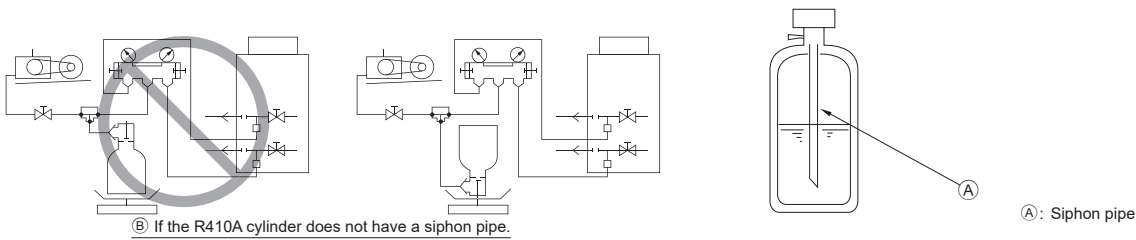
- A: Nitrogen gas
- B: To indoor unit
- C: Gauge manifold
- D: Low knob
- E: High knob
- F: Valve
- G: Low-pressure/liquid pipe
- H: High-pressure/gas pipe
- I: Heat source unit
- J: Service port

[Fig. 10.3.2]



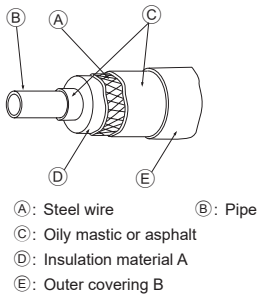
- A: Gauge manifold
- B: Low knob
- C: High knob
- D: Valve (heat source unit)
- E: Low-pressure/liquid pipe
- F: High-pressure/gas pipe
- G: Service port
- H: Three-way joint
- I: Valve (vacuum pump)
- J: Valve (for charging refrigerant)
- K: R410A cylinder
- L: Scale
- M: Vacuum pump
- N: To indoor unit
- O: Heat source unit

[Fig. 10.3.3]



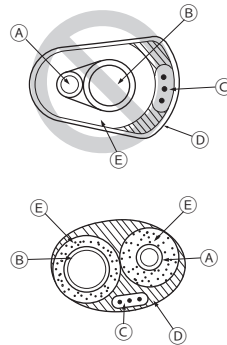
10.4

[Fig. 10.4.1]



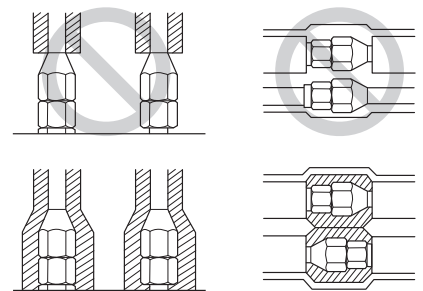
- A: Steel wire
- B: Pipe
- C: Oily mastic or asphalt
- D: Insulation material A
- E: Outer covering B

[Fig. 10.4.2]



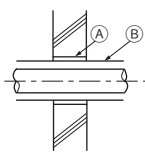
- A: High-pressure pipe or liquid pipe
- B: Low-pressure pipe or gas pipe
- C: Electric wire
- D: Finishing tape
- E: Insulation material

[Fig. 10.4.3]

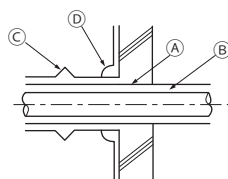


[Fig. 10.4.4]

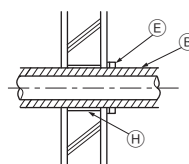
<A> Inner wall (concealed)



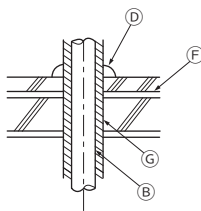
 Outer wall



<C> Outer wall (exposed)



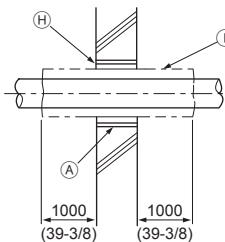
<D> Floor (waterproof)



<E> Rooftop pipe shaft



<F> Protecting the penetrating parts in a fire limit zone or through a parting wall

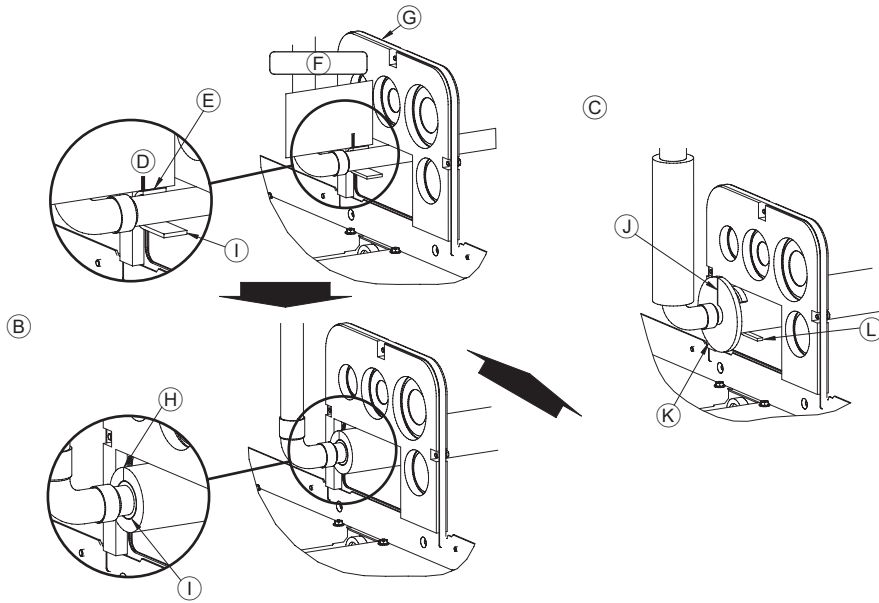


[mm (in)]

- A: Sleeve
- B: Insulation material
- C: Lagging
- D: Caulking material
- E: Band
- F: Waterproof layer
- G: Sleeve with a flange
- H: Caulk with a nonflammable material such as mortar.
- I: Nonflammable insulation material

[Fig. 10.5]

(A)

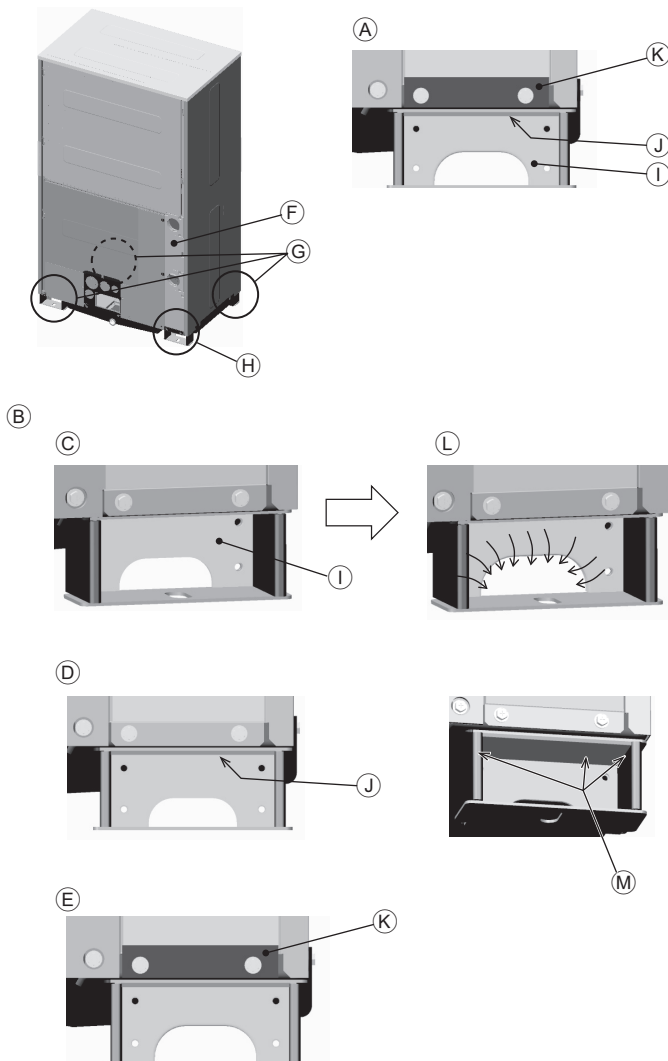


- (A): Position the edge of the supplied paper with mark at the edge of the pipe cover.
Then, wind the sealing material to the pipe, using the mark on the paper to properly align it.
- (B): Extend the field-supplied insulation all the way to the end of the sealing material described in step A.
- (C): Install the water stopper at the end face of the insulation.
- (D): Mark
- (E): Install the sealing material so that the edges of the material meet at the top.
- (F): Inside the unit
- (G): Pipe cover
- (H): The seam of the insulation should be at the top.
- (I): Sealing material for water stopper
- (J): Install the water stopper so that the slit of the water stopper is at the top.
- (K): Water stopper
- (L): Sealing material for field piping

10.6

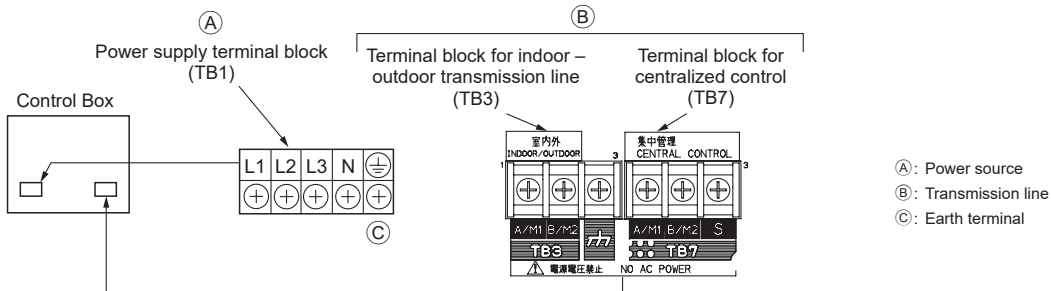
[Fig. 10.6]

PQHY-P-Y(S)LM-A1, PQRV-P-Y(S)LM-A1 only

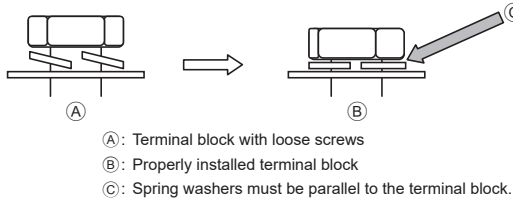


- (A): Enlarged view
- (B): Sealing material attachment process
- (C): Process 1: Attach the sealing material (for base leg) 1.
- (D): Process 2: Attach the sealing material (for base leg) 2.
- (E): Process 3: Attach the sealing material (for water panel). (only right front)
- (F): Panel assy W
- (G): Only sealing materials (for base leg) 1, 2
- (H): Sealing materials (for base leg) 1, 2 and sealing material (for water panel)
- (I): Sealing material (for base leg) 1
- (J): Sealing material (for base leg) 2
- (K): Sealing material (for water panel) (only right front)
- (L): Put sealing material inward.
- (M): Match the end face.

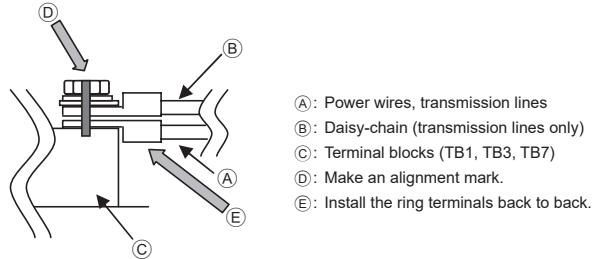
[Fig. 11.2.1]



[Fig. 11.2.2]



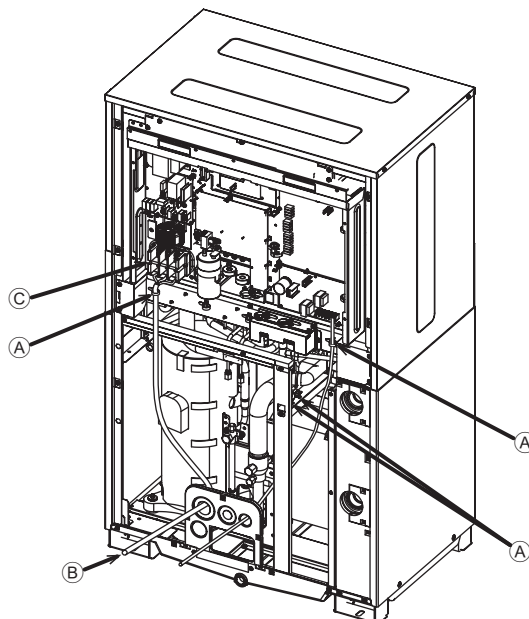
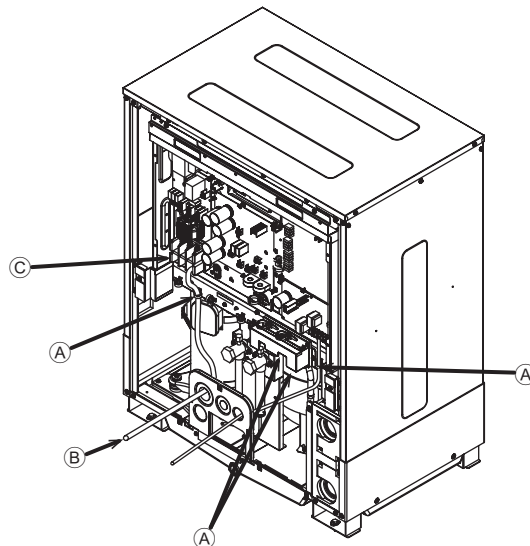
[Fig. 11.2.3]



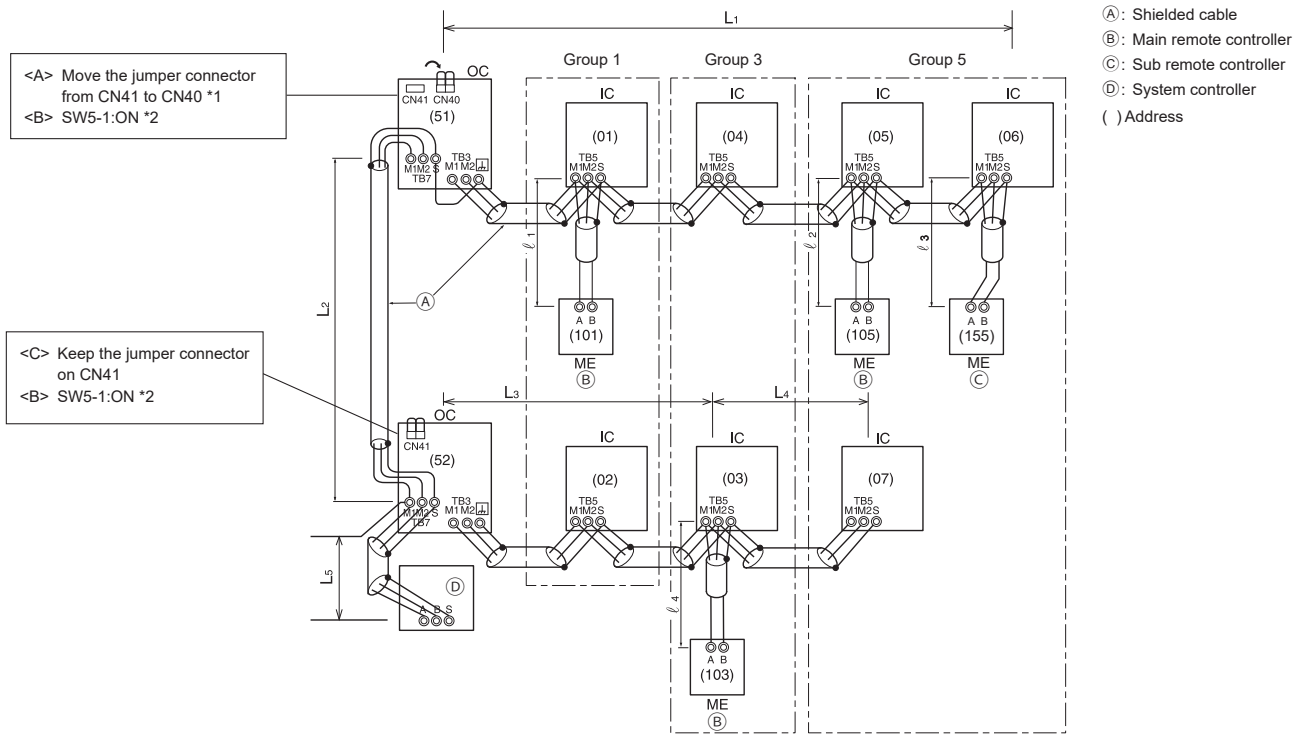
[Fig. 11.2.4]

PQHY-P·Y(S)LM-A1, PQRV-P·Y(S)LM-A1
PQHY-P·Y(S)LM-A2, PQRV-P·Y(S)LM-A2

- (A) Cable strap
- (B) Power source cable
- (C) Earth terminal for field wiring connection

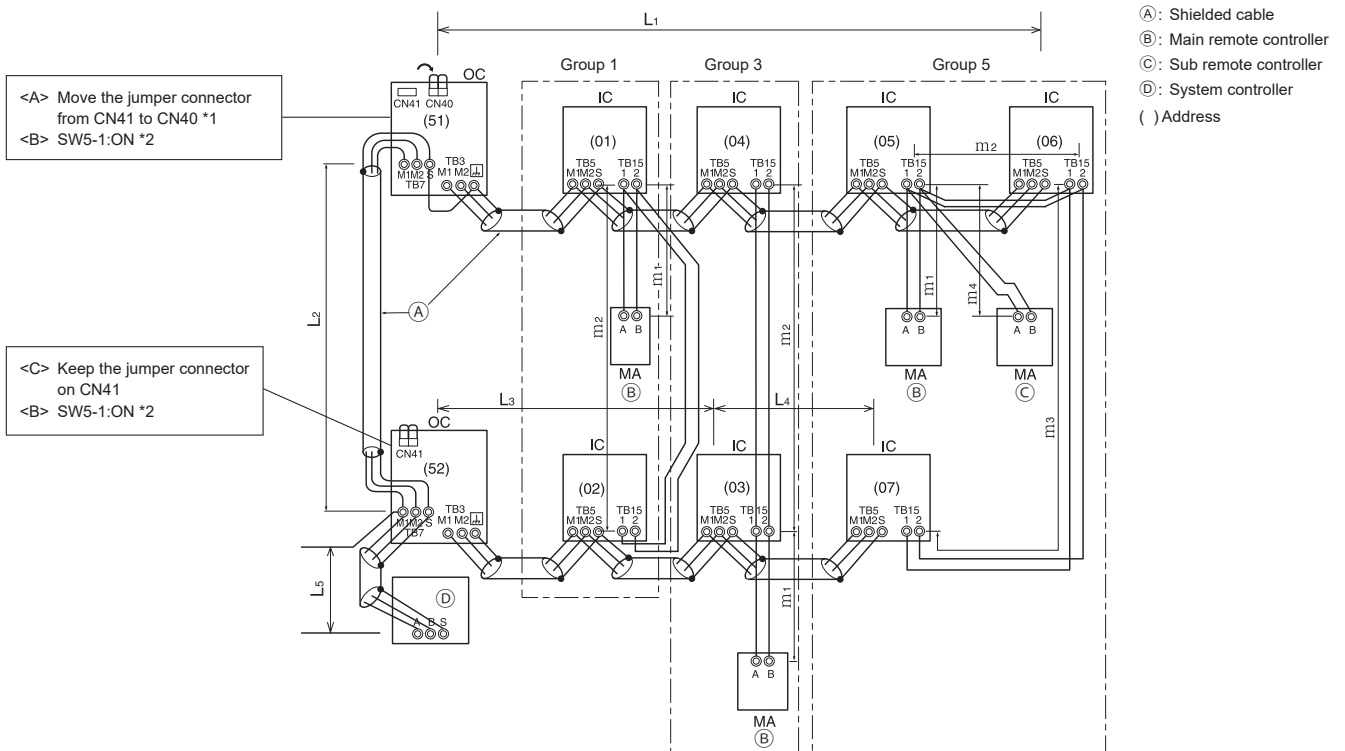


[Fig. 11.3.1] PQHY



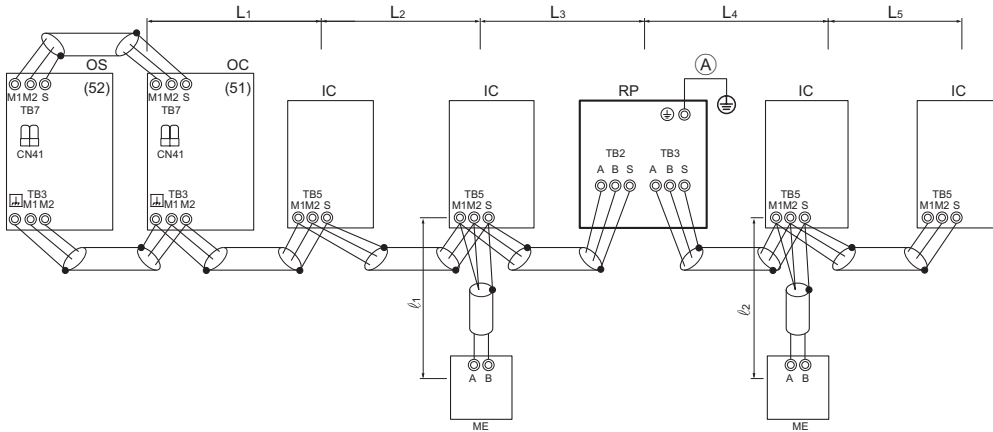
*1: When the power supply unit is not connected to the transmission line for centralized control, disconnect the power supply connector (CN41) from ONE heat source unit in the system and connect it to CN40.
 *2: If a system controller is used, set SW5-1 on all of the heat source units to ON.

[Fig. 11.3.2] PQHY



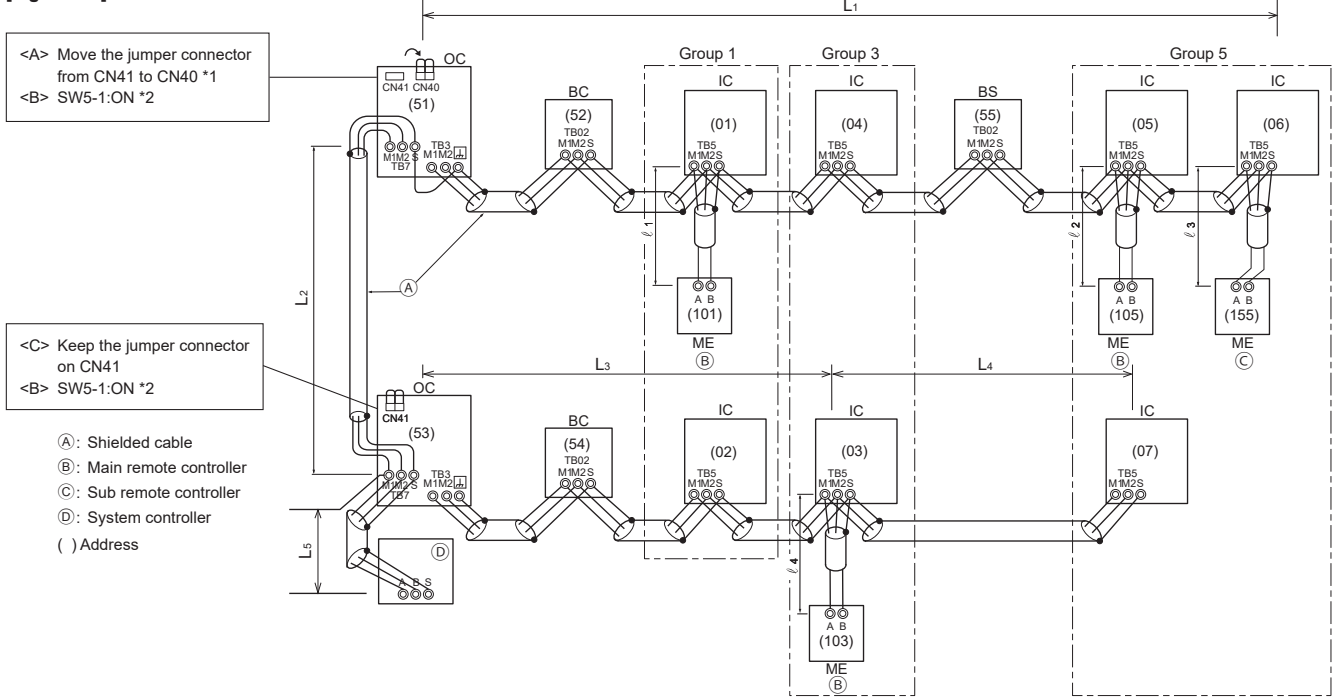
*1: When the power supply unit is not connected to the transmission line for centralized control, disconnect the power supply connector (CN41) from ONE heat source unit in the system and connect it to CN40.
 *2: If a system controller is used, set SW5-1 on all of the heat source units to ON.

[Fig. 11.3.3] PQHY



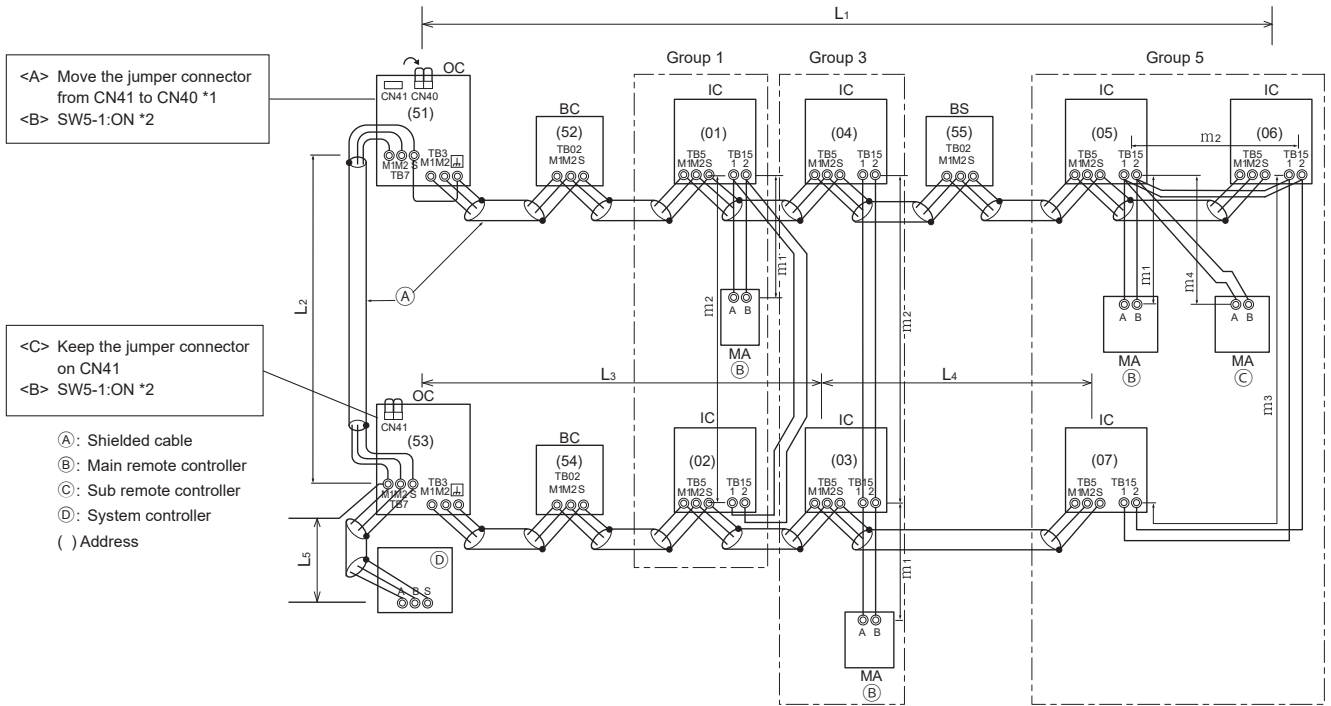
- Ⓐ: Earth
- () Address
- Daisy-chain terminals (TB3) on heat source units in the same refrigerant system together.
- Leave the power jumper connector on CN41 as it is. When connecting a system controller to the transmission line (TB7) for centralized control, refer to [Fig. 11.3.1], [Fig. 11.3.2], or DATA BOOK.

[Fig. 11.3.4] PQRV



*1: When the power supply unit is not connected to the transmission line for centralized control, disconnect the power supply connector (CN41) from ONE heat source unit in the system and connect it to CN40.
 *2: If a system controller is used, set SW5-1 on all of the heat source units to ON.

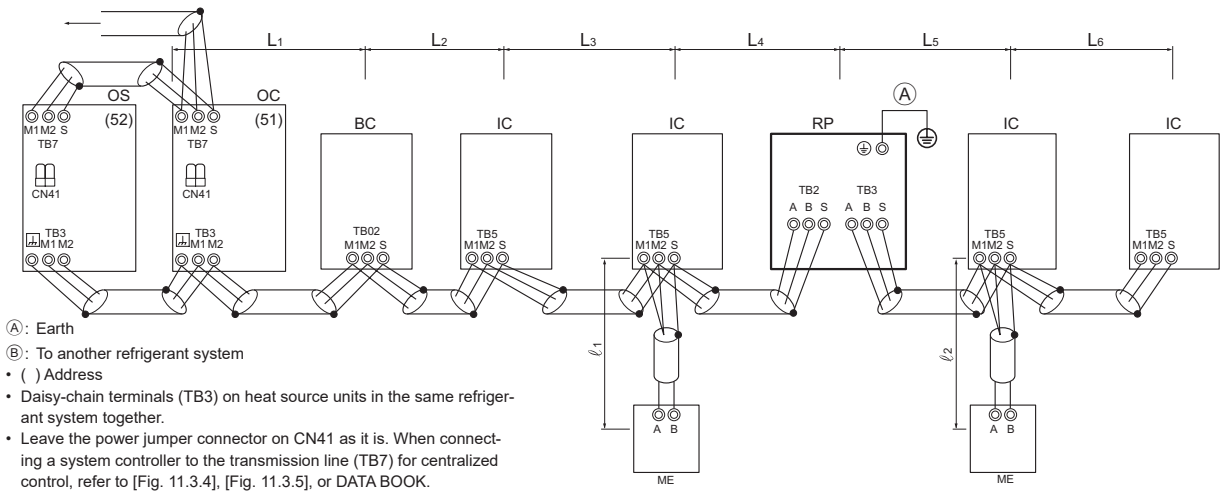
[Fig. 11.3.5] PQRY



*1: When the power supply unit is not connected to the transmission line for centralized control, disconnect the power supply connector (CN41) from ONE heat source unit in the system and connect it to CN40.
*2: If a system controller is used, set SW5-1 on all of the heat source units to ON.

[Fig. 11.3.6] PQRY

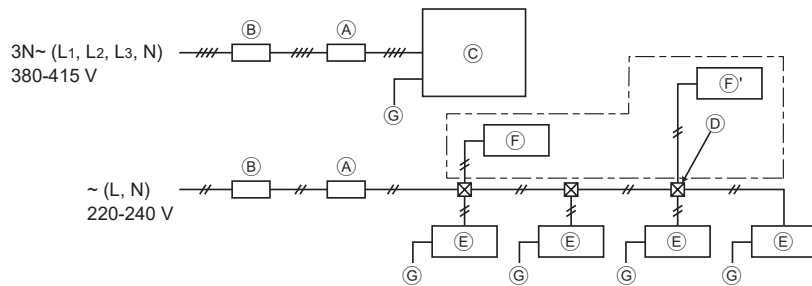
(B) To another refrigerant system



11.4

[Fig. 11.4.1]

- (A) : Switch (Overcurrent breaker and earth leakage breaker)
- (B) : Earth leakage breaker
- (C) : Heat source unit
- (D) : Pull box
- (E) : Indoor unit
- (F) : BC controller/HBC controller (main) (for PQRY-P series)
- (F') : BC controller (sub)/HBC controller (sub) (for PQRY-P series)
- (G) : Earth



Contenu

1. Précautions de sécurité	19	9. Installation de la tuyauterie du frigorigène	26
1.1. Avant installation et travaux électriques	19	9.1. Mises en garde.....	26
1.2. Précautions pour les appareils qui utilisent le frigorigène R410A	20	9.2. Système de tuyauterie du frigorigène	27
1.3. Avant l'installation.....	20	10. Charge supplémentaire de frigorigène.....	28
1.4. Avant l'installation (déménagement) - travaux électriques.....	20	10.1. Calcul de la charge supplémentaire de frigorigène.....	28
1.5. Avant de commencer l'essai	20	10.2. Précautions concernant les connexions de la tuyauterie et le fonctionnement de la valve	30
2. À propos du produit.....	21	10.3. Test d'herméticité, évacuation et chargement de frigorigène....	31
3. Combinaison d'unités de source de chaleur	21	10.4. Isolation thermique de la tuyauterie du frigorigène	32
4. Spécifications.....	22	10.5. Installation de l'embout conique	32
5. Liste des pièces	23	10.6. Installation du matériel d'imperméabilisation pour les pieds de la base.....	32
6. Transport de l'unité	23	11. Câblage (pour les détails, reportez-vous au manuel d'installation de chaque unité et du contrôleur)	33
7. Installation.....	24	11.1. Mises en garde.....	33
7.1. Installation	24	11.2. Boîtier de commande et emplacement pour le raccordement des câbles	33
7.2. Espace de service.....	24	11.3. Raccordement des câbles de transmission	33
8. Installation du tuyau d'eau	24	11.4. Câblage de l'alimentation principale et capacité des équipements.....	35
8.1. Précautions à prendre pendant l'installation	24	12. Essai de fonctionnement.....	36
8.2. Mise en place de l'isolation	24	12.1. Les phénomènes suivants ne représentent pas des défauts....	36
8.3. Traitement de l'eau et contrôle de la qualité de l'eau.....	24	13. Informations de la plaque signalétique	37
8.4. Engrenage des pompes	25		
8.5. Contrôle du taux de débit d'eau	25		

1. Précautions de sécurité

1.1. Avant installation et travaux électriques

- ▶ Avant d'installer l'unité, ne manquez pas de lire toutes les "Précautions de sécurité".
- ▶ Les "Précautions de sécurité" fournissent des points très importants concernant la sécurité. Ne manquez pas de les observer.

Symboles utilisés dans le texte

Avertissement :

Décrit les précautions qui doivent être prises pour éviter les risques de blessure ou de mort de l'utilisateur.


Attention :


Décrit les précautions qui doivent être prises pour éviter d'endommager l'unité.

Symboles utilisés dans les illustrations

 : Indique une action qui doit être évitée.

 : Indique que des instructions importantes doivent être observées.

 : Indique une pièce qui doit être mise à la terre.

 : Attention au choc électrique. (Ce symbole est affiché sur l'étiquette de l'unité principale.) <Couleur : jaune>

-  **Avertissement :**
Lisez soigneusement les étiquettes apposées sur l'unité principale.

AVERTISSEMENT DE HAUTE TENSION :

- Le boîtier de commande abrite des pièces à haute tension.
- En ouvrant ou en fermant le panneau avant du boîtier de commande, ne le laissez pas venir en contact avec des composants internes.
- Avant d'inspecter l'intérieur de la boîte de commande, coupez le courant, laissez l'unité hors circuit pendant au moins 10 minutes, et confirmez que la tension du condensateur (circuit principal de l'inverseur) chuté à 20 Vcc ou moins.
(La décharge de l'électricité prend environ 10 minutes après la coupure du courant.)
- Le boîtier de commande contient des pièces soumises à des températures élevées. Soyez prudent, même après la mise hors tension de l'alimentation.

Avertissement :

- Utilisez uniquement un réfrigérant de type indiqué dans les manuels fournis avec l'unité et sur la plaque signalétique.
 - Faute de quoi, l'unité ou la tuyauterie pourrait éclater, ou cela pourrait provoquer une explosion ou un incendie pendant l'utilisation, la réparation ou la mise au rebut de l'unité.
 - Cela pourrait également constituer une violation des lois applicables.
 - MITSUBISHI ELECTRIC CORPORATION ne peut être tenue responsable de tout dysfonctionnement ou accident résultant de l'utilisation du mauvais type de réfrigérant.
- Le circuit d'eau devrait être un circuit fermé.
- Demandez au distributeur ou à un technicien autorisé d'installer le climatiseur.
 - Une installation incorrecte par l'utilisateur peut avoir comme conséquence une fuite d'eau, un choc électrique ou un incendie.
- Installez l'unité à un endroit qui peut soutenir son poids.
 - Si ce n'est pas pris en compte, l'unité peut tomber et blesser quelqu'un ou être endommagée.

- Utilisez les câbles spécifiés pour le câblage. Faites des branchements solides de sorte que la force extérieure du câble ne soit pas appliquée aux bornes.
 - Un branchement et une fixation inadéquats peuvent s'échauffer et causer un incendie.
- Soyez préparé en cas de vents forts et de tremblements de terre et installez l'unité à la place indiquée.
 - Une installation incorrecte peut faire renverser l'unité et provoquer des blessures ou endommager l'unité.
- Utilisez toujours les filtres et autres accessoires spécifiés par Mitsubishi Electric.
 - Demandez à un technicien autorisé d'installer les accessoires. Une installation incorrecte par l'utilisateur peut avoir comme conséquence une fuite d'eau, un choc électrique ou un incendie.
- Ne réparez jamais l'unité. Si le climatiseur doit être réparé, consultez le distributeur.
 - Une réparation incorrecte par l'utilisateur peut avoir comme conséquence une fuite d'eau, un choc électrique ou un incendie.
- Ne touchez pas aux ailettes de l'échangeur de chaleur.
- En cas de fuite de gaz frigorigène pendant l'installation, aérez la pièce.
 - Si le gaz frigorigène vient en contact avec une flamme, des gaz toxiques se dégagent.
- Installez le climatiseur conformément à ce Manuel d'installation.
 - Une installation incorrecte peut avoir comme conséquence une fuite d'eau, un choc électrique ou un incendie.
- Faites effectuer tous les travaux électriques par un électricien licencié selon les "Normes techniques des installations électriques", les "Règlements relatifs aux câblages intérieurs" et les instructions données dans ce manuel, et utilisez toujours une alimentation dédiée.
 - Si la source d'énergie est inadéquate ou les travaux électriques sont exécutés incorrectement, un risque de choc électrique et d'incendie peut en résulter.
- Maintenez les pièces électriques à l'abri de l'eau (eau de lavage etc.).
 - Sinon une électrocution, un incendie ou de la fumée pourrait en résulter.
- Installez sécuritairement le capot des bornes de l'unité de source de chaleur (panneau).
 - Si le capot des bornes (panneau) n'est pas installé correctement, la poussière ou l'eau peut pénétrer dans l'unité de source de chaleur et un incendie ou un choc électrique peut en résulter.
- En installant et en déplaçant le climatiseur vers un autre site, ne le chargez pas avec un frigorigène différent de celui qui est spécifié sur l'unité.
 - Si un autre frigorigène ou de l'air est mélangé au frigorigène original, le cycle frigorifique peut mal fonctionner et l'unité peut être endommagée.
- Si le climatiseur est installé dans une petite pièce, des mesures doivent être prises pour empêcher la concentration en frigorigène de dépasser la limite de sécurité en cas de fuite de frigorigène.
 - Consultez le distributeur au sujet des mesures appropriées pour empêcher la limite de sécurité d'être excédée. En cas de fuite de frigorigène et de dépassement de la limite de sécurité, les risques dus au manque d'oxygène dans la pièce peuvent exister.
- Pour démanteler et réinstaller le climatiseur, consultez le distributeur ou un technicien autorisé.
 - Une installation incorrecte du climatiseur peut avoir comme conséquence une fuite d'eau, un choc électrique ou un incendie.
- Après avoir terminé les travaux d'installation, vérifiez que le gaz frigorigène ne fuit pas.
 - Si le gaz frigorigène fuit et est exposé à un radiateur-ventilateur, cuisinière, four ou toute autre source de chaleur, des gaz nocifs peuvent se produire.
- Ne reconstruisez pas ou ne changez pas les configurations des dispositifs de protection.
 - Si le pressostat, le rupteur thermique, ou autre dispositif de protection est court-circuité ou forcé, ou si des pièces autres que celles spécifiées par Mitsubishi Electric sont utilisées, un incendie ou une explosion peut en résulter.

- Pour éliminer ce produit, consultez votre distributeur.
- L'installateur et le spécialiste système assureront la sécurité contre les fuites conformément aux normes et règlements locaux.
 - Choisissez la taille de câble appropriée et les capacités du commutateur d'alimentation principale indiquées dans le présent manuel si les règlements locaux ne sont pas disponibles.
- Faites particulièrement attention au lieu de l'installation, telle qu'un sous-sol, etc. où le gaz frigorigène peut s'accumuler étant donné qu'il est plus lourd que l'air.
- Cet appareil est prévu pour être utilisé par des utilisateurs experts ou formés dans les magasins, l'industrie légère et les fermes ou pour une utilisation commerciale par des personnes non initiées.
- Cet appareil n'est pas conçu pour être utilisé par des personnes (enfants inclus) dont les capacités mentales, sensorielles ou physiques sont réduites ou qui ne disposent pas de l'expérience et des connaissances requises, sauf si une personne responsable de leur sécurité assure leur surveillance ou leur formation dans le cadre de l'utilisation de l'appareil.
- Il est nécessaire de surveiller les enfants de manière à ce qu'ils ne puissent pas jouer avec l'appareil.
- Si le câble électrique est endommagé, il doit être remplacé par le fabricant, son agent de service ou une personne de qualification similaire afin d'éviter tout risque.

1.2. Précautions pour les appareils qui utilisent le frigorigène R410A

⚠ Attention :

- **N'utilisez pas la tuyauterie de frigorigène existante.**
 - L'ancien frigorigène et l'huile frigorigère présents dans la tuyauterie existante contiennent une grande quantité de chlore qui peut détériorer l'huile frigorigère de la nouvelle unité.
 - Le R410A est un frigorigène à haute pression qui peut faire éclater la tuyauterie existante.
- **Utilisez une tuyauterie de frigorigène en cuivre désoxydé au phosphore et des tuyaux et tubulures en alliage de cuivre sans soudure. En outre, assurez-vous que les surfaces intérieures et extérieures des tuyaux sont propres et dépourvues de soufre, d'oxydes, de poussières/saletés, de particules de rasage, d'huile, d'humidité, ou de n'importe quel autre contaminant dangereux.**
 - Les contaminants à l'intérieur de la tuyauterie du frigorigène peuvent détériorer l'huile frigorigère.
- **Entrez l'intérieur de la tuyauterie à utiliser pour l'installation et gardez scellées les deux extrémités de la tuyauterie jusqu'au moment du brasage. (Stockez les coudes et autres raccords dans un sac en plastique.)**
 - Si de la poussière, des saletés, ou de l'eau pénètre dans le cycle frigorigère, il peut s'ensuivre une détérioration de l'huile et du compresseur.
- **Appliquez une petite quantité d'huile d'ester, huile d'éther ou alkylbenzène aux évaselements (pour l'unité d'intérieur).**
 - L'infiltration d'une grande quantité d'huile minérale peut détériorer l'huile frigorigère.
- **Utilisez un frigorigène liquide pour remplir le système.**
 - Si un gaz frigorigère est utilisé pour remplir le système, la composition du frigorigère dans le cylindre change et la performance peut chuter.
- **N'utilisez pas de frigorigène autre que le R410A.**
 - Si un autre frigorigère (R22, etc.) est mélangé au R410A, le chlore dans le frigorigère peut détériorer l'huile frigorigère.
- **Utilisez une pompe à vide avec clapet anti-retour de flux inverse.**
 - L'huile de la pompe à vide peut refluer dans le cycle frigorigère et détériorer l'huile frigorigère.
- **N'utilisez pas les outils suivants qui sont utilisés avec les frigorigènes conventionnels.**

(Manomètre de pression, tuyau flexible de charge, détecteur de fuite de gaz, clapet anti-retour de flux inverse, base de charge du frigorigère, équipement de récupération du frigorigère)

 - Si un frigorigère conventionnel et de l'huile frigorigère sont mélangés avec le R410A, le frigorigère peut être détérioré.
 - Si de l'eau est mélangée au R410A, l'huile frigorigère peut être détériorée.
 - Puisque le R410A ne contient aucun chlore, les détecteurs de fuite de gaz pour les frigorigères conventionnels ne réagissent pas.
- **N'utilisez pas de cylindre de chargement.**
 - Utiliser un cylindre de chargement peut détériorer le frigorigère.
- **Faites particulièrement attention en manipulant les outils.**
 - Si de la poussière, des saletés ou de l'eau pénètre dans le cycle frigorigère, le frigorigère peut se détériorer.
- **Portez des gants de protection quand vous travaillez sur l'appareil.**
 - À défaut, ceci peut provoquer des blessures.

1.3. Avant l'installation

⚠ Attention :

- **N'installez pas l'unité là où un gaz combustible peut fuir.**
 - Si le gaz fuit et s'accumule autour de l'unité, une explosion peut se produire.
- **N'utilisez pas le climatiseur là où se trouve de la nourriture, des animaux domestiques, des plantes, des instruments de précision ou des objets d'art.**
 - La qualité de la nourriture, etc. peut se détériorer.
- **N'utilisez pas le climatiseur dans des environnements spéciaux.**
 - L'huile, la vapeur, la fumée sulfurique, etc. peuvent réduire de manière significative la performance du climatiseur ou endommager ses pièces.
- **En installant l'unité dans un hôpital, un centre de transmission ou site semblable, assurez une protection suffisante contre le bruit.**
 - Les convertisseurs, les générateurs privés d'alimentation électrique, les équipements médicaux à haute fréquence ou les équipements de radiocommunication peuvent provoquer le dysfonctionnement du

climatiseur, ou l'empêcher de fonctionner. D'un autre côté, le climatiseur peut affecter le fonctionnement de ces équipements en raison du bruit qui gêne le traitement médical ou la transmission d'images.

- **N'installez pas l'unité sur ou au-dessus de choses sujettes à l'endommagement par l'eau.**
 - Quand l'humidité de la pièce excède 80% ou lorsque le drain est obstrué, la condensation peut s'égoutter d'une unité d'intérieur. Exécutez un travail de drainage collectif avec l'unité de source de chaleur, selon besoins.
 - Lors de l'utilisation d'une unité de source de chaleur PQHY-P-YLM-A2, PQRY-P-YLM-A2 Ne pas l'installer sur des éléments susceptibles d'être endommagés par l'eau.

1.4. Avant l'installation (déménagement) - travaux électriques

⚠ Attention :

- **Mettez l'unité à la terre.**
 - Ne connectez pas le fil de terre aux conduites de gaz ou d'eau, aux paratonnerres, ou aux lignes de terre du téléphone. Une mise à la terre incorrecte peut avoir comme conséquence un choc électrique.
- **Ne connectez jamais en phases inversées.**
 - Si le câblage est erroné, certains composants électriques seront endommagés lors de la mise sous tension de l'unité.
- **Installez le câble d'alimentation de sorte que la tension ne soit pas appliquée au câble.**
 - La tension peut fracturer le câble, produire un échauffement et causer un incendie.
- **Installez un disjoncteur de fuite à la terre, selon besoins.**
 - Si un disjoncteur de fuite à la terre n'est pas installé, un choc électrique peut en résulter.
- **Utilisez des câbles d'alimentation ayant une capacité de charge et une valeur nominale suffisantes.**
 - Les câbles qui sont trop petits peuvent fuir, s'échauffer, et provoquer un incendie.
- **Serrez les vis de borne au couple spécifié.**
 - Un mauvais contact de fil causé par des vis desserrées peut provoquer une surchauffe et, ce faisant, un incendie.
- **Utilisez seulement un disjoncteur et un fusible de la capacité spécifiée.**
 - Un fusible ou un disjoncteur d'une plus grande capacité, ou utiliser à la place un simple fil d'acier ou de cuivre peuvent avoir comme conséquence une défaillance générale de l'unité ou un incendie.
- **Ne lavez pas le climatiseur.**
 - Le lavage peut causer une décharge électrique.
- **Assurez-vous que la base d'installation n'a pas été endommagée par suite d'un usage prolongé.**
 - Si les dommages ne sont pas réparés, l'unité peut tomber et causer des blessures ou des dégâts matériels.
- **Installez la tuyauterie de drainage conformément à ce Manuel d'installation pour assurer un drainage approprié. Enveloppez les tubes d'isolation thermique pour empêcher la condensation.**
 - Une tuyauterie de drainage inappropriée peut causer une fuite d'eau et endommager le mobilier et autres objets.
- **Faites très attention lors du transport du produit.**
 - Le produit ne doit pas être porté par une seule personne. Son poids excède 20 kg [45LBS].
 - Certains produits utilisent des bandes PP pour l'emballage. N'utilisez pas de bande PP en tant que moyen de transport. C'est dangereux.
 - Ne touchez pas aux ailettes de l'échangeur de chaleur. Vous pourriez couper vos doigts.
 - Pour transporter l'unité de source de chaleur, supportez-la aux positions indiquées sur la base. Supportez également l'unité de source de chaleur sur quatre points de sorte qu'elle ne puisse pas glisser de côté.
- **Éliminez sécuritairement les matériaux d'emballage.**
 - Les matériaux d'emballage, tels que des clous et autres pièces en métal ou en bois, peuvent causer des blessures.
 - Déchirez et jetez les sacs d'emballage en plastique de sorte que les enfants ne jouent pas avec. Si des enfants jouent avec un sac en plastique qui n'a pas été déchiré, ils risquent de suffoquer.

1.5. Avant de commencer l'essai

⚠ Attention :

- **Mettez sous tension pendant au moins 12 heures avant de mettre en route.**
 - Mettre en route immédiatement après la mise sous tension peut causer des dommages irréversibles aux pièces internes. Laissez l'interrupteur de courant en position sous tension pendant la saison d'exploitation. Vérifiez l'ordre de phase de l'alimentation et la tension entre chaque phase.
- **Ne touchez pas les interrupteurs avec des doigts mouillés.**
 - Toucher un interrupteur avec des doigts mouillés peut causer une décharge électrique.
- **Ne touchez pas les tubes de frigorigène pendant et immédiatement après le fonctionnement.**
 - Pendant et juste après le fonctionnement, les tubes de frigorigène peuvent être chauds ou froids, selon l'état du frigorigène s'écoulant dans la tuyauterie, le compresseur et autres pièces du cycle frigorigère. Vos mains peuvent subir des brûlures ou gelures si vous touchez les tubes de frigorigère.
- **Ne faites pas fonctionner le climatiseur avec les panneaux et protections retirés.**
 - Les pièces rotatives, chaudes, ou sous haute tension peuvent causer des blessures.
- **Ne coupez pas le courant immédiatement après avoir arrêté le fonctionnement.**
 - Attendez toujours au moins 5 minutes avant de couper le courant. Autrement, une fuite de l'eau de drainage ou une défaillance mécanique des pièces sensibles pourrait se produire.

- **Ne touchez pas la surface du compresseur pendant l'entretien.**
 - Si l'appareil est connecté à une alimentation et n'est pas en marche, le chauffage à carter situé à la base du compresseur peut encore fonctionner.

2. À propos du produit

- Cette unité utilise le frigorigène de type R410A.
- Pour les systèmes utilisant le R410A, la tuyauterie peut être différente de celle des systèmes utilisant un frigorigène conventionnel parce que les systèmes utilisant le R410A sont conçus pour fonctionner à des pressions plus élevées. Reportez-vous au Livre de données pour plus d'information.
- Certains outils et équipements utilisés pour l'installation de systèmes fonctionnant avec d'autres types de frigorigènes ne peuvent pas être utilisés pour les systèmes fonctionnant avec le R410A. Reportez-vous au Livre de données pour plus d'information.
- N'utilisez pas la tuyauterie existante, car elle contient du chlore, qui est présent dans l'huile et le frigorigène de machines conventionnelles de frigorification. Ce chlore détériore l'huile réfrigérante de machine dans le nouvel équipement. La tuyauterie existante ne doit pas être utilisée car la pression de conception dans les systèmes utilisant le R410A est plus élevée que celle des systèmes utilisant d'autres types de frigorigène et les tuyaux existants peuvent éclater.

3. Combinaison d'unités de source de chaleur

Les modules PQHY sont listés ci-dessous.

Nom de modèle	Module	
PQHY-P200YLM-A1	-	-
PQHY-P250YLM-A1	-	-
PQHY-P300YLM-A1	-	-
PQHY-P350YLM-A1	-	-
PQHY-P400YLM-A1	-	-
PQHY-P400YSLM-A1	PQHY-P200YLM-A1	PQHY-P200YLM-A1
PQHY-P450YLM-A1	-	-
PQHY-P450YSLM-A1	PQHY-P250YLM-A1	PQHY-P200YLM-A1
PQHY-P500YLM-A1	-	-
PQHY-P500YSLM-A1	PQHY-P250YLM-A1	PQHY-P250YLM-A1
PQHY-P550YLM-A1	-	-
PQHY-P550YSLM-A1	PQHY-P300YLM-A1	PQHY-P250YLM-A1
PQHY-P600YLM-A1	-	-
PQHY-P600YSLM-A1	PQHY-P300YLM-A1	PQHY-P300YLM-A1
PQHY-P700YSLM-A1	PQHY-P350YLM-A1	PQHY-P350YLM-A1
PQHY-P750YSLM-A1	PQHY-P400YLM-A1	PQHY-P350YLM-A1
PQHY-P800YSLM-A1	PQHY-P400YLM-A1	PQHY-P400YLM-A1
PQHY-P850YSLM-A1	PQHY-P450YLM-A1	PQHY-P400YLM-A1
PQHY-P900YSLM-A1	PQHY-P450YLM-A1	PQHY-P450YLM-A1

Nom de modèle	Module	
PQHY-P200YLM-A2	-	-
PQHY-P250YLM-A2	-	-
PQHY-P300YLM-A2	-	-
PQHY-P350YLM-A2	-	-
PQHY-P400YLM-A2	-	-
PQHY-P400YSLM-A2	PQHY-P200YLM-A2	PQHY-P200YLM-A2
PQHY-P450YLM-A2	-	-
PQHY-P450YSLM-A2	PQHY-P250YLM-A2	PQHY-P200YLM-A2
PQHY-P500YLM-A2	-	-
PQHY-P500YSLM-A2	PQHY-P250YLM-A2	PQHY-P250YLM-A2
PQHY-P550YLM-A2	-	-
PQHY-P550YSLM-A2	PQHY-P300YLM-A2	PQHY-P250YLM-A2
PQHY-P600YLM-A2	-	-
PQHY-P600YSLM-A2	PQHY-P300YLM-A2	PQHY-P300YLM-A2
PQHY-P700YSLM-A2	PQHY-P350YLM-A2	PQHY-P350YLM-A2
PQHY-P750YSLM-A2	PQHY-P400YLM-A2	PQHY-P350YLM-A2
PQHY-P800YSLM-A2	PQHY-P400YLM-A2	PQHY-P400YLM-A2
PQHY-P850YSLM-A2	PQHY-P450YLM-A2	PQHY-P400YLM-A2
PQHY-P900YSLM-A2	PQHY-P450YLM-A2	PQHY-P450YLM-A2

Les modules PQRV sont listés ci-dessous.

Nom de modèle	Module	
PQRV-P200YLM-A1	-	-
PQRV-P250YLM-A1	-	-
PQRV-P300YLM-A1	-	-
PQRV-P350YLM-A1	-	-
PQRV-P400YLM-A1	-	-
PQRV-P400YSLM-A1	PQRV-P200YLM-A1	PQRV-P200YLM-A1
PQRV-P450YLM-A1	-	-
PQRV-P450YSLM-A1	PQRV-P250YLM-A1	PQRV-P200YLM-A1
PQRV-P500YLM-A1	-	-
PQRV-P500YSLM-A1	PQRV-P250YLM-A1	PQRV-P250YLM-A1
PQRV-P550YLM-A1	-	-
PQRV-P550YSLM-A1	PQRV-P300YLM-A1	PQRV-P250YLM-A1
PQRV-P600YLM-A1	-	-
PQRV-P600YSLM-A1	PQRV-P300YLM-A1	PQRV-P300YLM-A1
PQRV-P700YSLM-A1	PQRV-P350YLM-A1	PQRV-P350YLM-A1
PQRV-P750YSLM-A1	PQRV-P400YLM-A1	PQRV-P350YLM-A1
PQRV-P800YSLM-A1	PQRV-P400YLM-A1	PQRV-P400YLM-A1
PQRV-P850YSLM-A1	PQRV-P450YLM-A1	PQRV-P400YLM-A1
PQRV-P900YSLM-A1	PQRV-P450YLM-A1	PQRV-P450YLM-A1

Nom de modèle	Module	
PQRV-P200YLM-A2	-	-
PQRV-P250YLM-A2	-	-
PQRV-P300YLM-A2	-	-
PQRV-P350YLM-A2	-	-
PQRV-P400YLM-A2	-	-
PQRV-P400YSLM-A2	PQRV-P200YLM-A2	PQRV-P200YLM-A2
PQRV-P450YLM-A2	-	-
PQRV-P450YSLM-A2	PQRV-P250YLM-A2	PQRV-P200YLM-A2
PQRV-P500YLM-A2	-	-
PQRV-P500YSLM-A2	PQRV-P250YLM-A2	PQRV-P250YLM-A2
PQRV-P550YLM-A2	-	-
PQRV-P550YSLM-A2	PQRV-P300YLM-A2	PQRV-P250YLM-A2
PQRV-P600YLM-A2	-	-
PQRV-P600YSLM-A2	PQRV-P300YLM-A2	PQRV-P300YLM-A2
PQRV-P700YSLM-A2	PQRV-P350YLM-A2	PQRV-P350YLM-A2
PQRV-P750YSLM-A2	PQRV-P400YLM-A2	PQRV-P350YLM-A2
PQRV-P800YSLM-A2	PQRV-P400YLM-A2	PQRV-P400YLM-A2
PQRV-P850YSLM-A2	PQRV-P450YLM-A2	PQRV-P400YLM-A2
PQRV-P900YSLM-A2	PQRV-P450YLM-A2	PQRV-P450YLM-A2

* Lorsque vous utilisez cet appareil comme un système Hybrid City Multi, vous pouvez raccorder jusqu'à P500 (module simple uniquement). (PQRV uniquement)

4. Spécifications

PQHY-P-YLM-A1, PQHY-P-YLM-A2

Modèle	P200YLM	P250YLM	P300YLM	P350YLM	P400YLM	P450YLM	P500YLM	P550YLM	P600YLM
Niveau de pression sonore	46 dB <A>	48 dB <A>	54 dB <A>	52 dB <A>	52 dB <A>	54 dB <A>	54 dB <A>	56,5 dB <A>	56,5 dB <A>
Poids net	170 kg			214 kg			243 kg		
Pression hydraulique max.	2,0 MPa								
Réfrigérant	R410A: 5,0 kg			R410A: 6,0 kg			R410A: 11,7 kg		
Unités d'intérieur	Capacité totale	50 ~ 130%*1							
	Modèle	10 ~ 250							
	Quantité	1 ~ 20	1 ~ 25	1 ~ 30	1 ~ 35	1 ~ 40	1 ~ 45	1 ~ 50	2 ~ 50
Température de fonctionnement	Temp. eau à l'aspiration: 10°C ~ 45°C								

Modèle	P400YSLM	P450YSLM	P500YSLM	P550YSLM	P600YSLM
Niveau de pression sonore	49 dB <A>	50 dB <A>	51 dB <A>	55 dB <A>	57 dB <A>
Poids net	170 kg + 170 kg				
Pression hydraulique max.	2,0 MPa				
Réfrigérant	R410A: 5,0 kg + 5,0 kg				
Unités d'intérieur	Capacité totale	50 ~ 130%*1			
	Modèle	10 ~ 250			
	Quantité	1 ~ 40	1 ~ 45	1 ~ 50	2 ~ 50
Température de fonctionnement	Temp. eau à l'aspiration: 10°C ~ 45°C				

Modèle	P700YSLM	P750YSLM	P800YSLM	P850YSLM	P900YSLM
Niveau de pression sonore	55 dB <A>	55 dB <A>	55 dB <A>	56 dB <A>	57 dB <A>
Poids net	214 kg + 214 kg				
Pression hydraulique max.	2,0 MPa				
Réfrigérant	R410A: 6,0 kg + 6,0 kg				
Unités d'intérieur	Capacité totale	50 ~ 130%*1			
	Modèle	10 ~ 250			
	Quantité	2 ~ 50	2 ~ 50	2 ~ 50	2 ~ 50
Température de fonctionnement	Temp. eau à l'aspiration: 10°C ~ 45°C				

*1 : La capacité totale d'unités d'intérieur fonctionnant simultanément est au plus de 130%.

PQRY-P-YLM-A1, PQRY-P-YLM-A2

Modèle	P200YLM	P250YLM	P300YLM	P350YLM	P400YLM	P450YLM	P500YLM	P550YLM	P600YLM
Niveau de pression sonore	46 dB <A>	48 dB <A>	54 dB <A>	52 dB <A>	52 dB <A>	54 dB <A>	54 dB <A>	56,5 dB <A>	56,5 dB <A>
Poids net	173 kg			217 kg			247 kg		
Pression hydraulique max.	2,0 MPa								
Réfrigérant	R410A: 5,0 kg			R410A: 6,0 kg			R410A: 11,7 kg		
Unités d'intérieur	Capacité totale	50 ~ 150%*1							
	Modèle	10 ~ 250							
	Quantité	1 ~ 20	1 ~ 25	1 ~ 30	1 ~ 35	1 ~ 40	1 ~ 45	1 ~ 50	2 ~ 50*2
Température de fonctionnement	Temp. eau à l'aspiration: 10°C ~ 45°C								

Modèle	P400YSLM	P450YSLM	P500YSLM	P550YSLM	P600YSLM
Niveau de pression sonore	49 dB <A>	50 dB <A>	51 dB <A>	55 dB <A>	57 dB <A>
Poids net	173 kg + 173 kg				
Pression hydraulique max.	2,0 MPa				
Réfrigérant	R410A: 5,0 kg + 5,0 kg				
Unités d'intérieur	Capacité totale	50 ~ 150%*1			
	Modèle	10 ~ 250			
	Quantité	1 ~ 40	1 ~ 45	1 ~ 50	2 ~ 50*2
Température de fonctionnement	Temp. eau à l'aspiration: 10°C ~ 45°C				

Modèle	P700YSLM	P750YSLM	P800YSLM	P850YSLM	P900YSLM
Niveau de pression sonore	55 dB <A>	55 dB <A>	55 dB <A>	56 dB <A>	57 dB <A>
Poids net	217 kg + 217 kg				
Pression hydraulique max.	2,0 MPa				
Réfrigérant	R410A: 6,0 kg + 6,0 kg				
Unités d'intérieur	Capacité totale	50 ~ 150%*1			
	Modèle	10 ~ 250			
	Quantité	2 ~ 50*2	2 ~ 50*2	2 ~ 50*2	2 ~ 50*2
Température de fonctionnement	Temp. eau à l'aspiration: 10°C ~ 45°C				

*1 : La capacité totale d'unités d'intérieur fonctionnant simultanément est au plus de 150%.

*2 : Le nombre maximum de tuyau de dérivation pouvant être raccordé est 48.

5. Liste des pièces

- Vérifiez que toutes les pièces suivantes sont fournies avec l'unité.
- Reportez-vous à la section 10.2 pour plus d'informations sur les consignes de sécurité.

PQHY-P-YLM-A1, PQHY-P-YLM-A2

Modèle	① Raccord coudé D.I. ø25,4, D.E. ø25,4 <côté gaz>	② Raccord coudé D.I. ø28,6, D.E. ø28,6 <côté gaz>	③ Tube de connexion D.I. ø9,52, D.E. ø9,52 <côté fluide>	④ Tube de connexion D.I. ø15,88, D.E. ø15,88 <côté fluide>	⑤ Tube de connexion D.I. ø19,05, D.E. ø19,05	⑥ Tube de connexion D.I. ø28,6, D.E. ø28,6	⑦ Tube de connexion D.I. ø25,4, D.E. ø22,2	⑧ Embout conique <côté fluide>	⑨ Embout conique <côté gaz>
P200	1 pc.	-	1 pc.	-	-	-	-	1 pc.	1 pc.
P250	1 pc.	-	1 pc.	-	-	-	-	1 pc.	1 pc.
P300	1 pc.	-	1 pc.	-	-	-	-	1 pc.	1 pc.
P350	-	1 pc.	-	1 pc.	-	-	-	1 pc.	1 pc.
P400	-	1 pc.	-	1 pc.	-	-	-	1 pc.	1 pc.
P450	-	1 pc.	-	1 pc.	-	-	-	1 pc.	1 pc.
P500	-	1 pc.	-	1 pc.	-	-	-	1 pc.	1 pc.
P550	-	1 pc.	-	1 pc.	-	-	-	1 pc.	1 pc.
P600	-	1 pc.	-	1 pc.	-	-	-	1 pc.	1 pc.

Modèle	⑩ Matériel d'imperméabilisation pour embout conique <côté fluide>	⑪ Matériel d'imperméabilisation pour embout conique <côté gaz>	⑫ Matériel d'imperméabilisation pour le tube fourni sur site <côté fluide>	⑬ Matériel d'imperméabilisation pour le tube fourni sur site <côté gaz>	⑭ Matériel d'imperméabilisation pour les pieds de la base	⑮ Matériel d'imperméabilisation pour les pieds de la base	⑯ Matériel d'imperméabilisation pour les panneaux à eau	⑰ Housse du tuyau <côté gaz>	⑱ Matériel d'imperméabilisation pour douille de vidange
P200	1 pc.	1 pc.	1 pc.	1 pc.	-	-	-	1 pc.	1 pc.
P250	1 pc.	1 pc.	1 pc.	1 pc.	-	-	-	1 pc.	1 pc.
P300	1 pc.	1 pc.	1 pc.	1 pc.	-	-	-	1 pc.	1 pc.
P350	1 pc.	1 pc.	1 pc.	1 pc.	4 pc.	4 pc.	1 pc.	1 pc.	1 pc.
P400	1 pc.	1 pc.	1 pc.	1 pc.	4 pc.	4 pc.	1 pc.	1 pc.	1 pc.
P450	1 pc.	1 pc.	1 pc.	1 pc.	4 pc.	4 pc.	1 pc.	1 pc.	1 pc.
P500	1 pc.	1 pc.	1 pc.	1 pc.	4 pc.	4 pc.	1 pc.	1 pc.	1 pc.
P550	1 pc.	1 pc.	1 pc.	1 pc.	4 pc.	4 pc.	1 pc.	1 pc.	1 pc.
P600	1 pc.	1 pc.	1 pc.	1 pc.	4 pc.	4 pc.	1 pc.	1 pc.	1 pc.

PQRY-P-YLM-A1, PQRY-P-YLM-A2

Modèle	① Raccord coudé D.I. ø25,4, D.E. ø25,4 <Côté basse pression>	② Raccord coudé D.I. ø28,6, D.E. ø28,6	③ Tube de connexion D.I. ø9,52, D.E. ø9,52	④ Tube de connexion D.I. ø15,88, D.E. ø15,88	⑤ Tube de connexion D.I. ø19,05, D.E. ø19,05 <Côté haute pression>	⑥ Tube de connexion D.I. ø28,6, D.E. ø28,6 <Côté basse pression>	⑦ Tube de connexion D.I. ø25,4, D.E. ø22,2 <Côté haute pression>	⑧ Embout conique <Côté haute pression>	⑨ Embout conique <Côté basse pression>
P200	1 pc.	-	-	-	1 pc.	-	-	-	1 pc.
P250	1 pc.	-	-	-	1 pc.	-	-	-	1 pc.
P300	1 pc.	-	-	-	1 pc.	-	-	-	1 pc.
P350	-	-	-	-	-	1 pc.	1 pc.	-	1 pc.
P400	-	-	-	-	-	1 pc.	1 pc.	-	1 pc.
P450	-	-	-	-	-	1 pc.	1 pc.	-	1 pc.
P500	-	-	-	-	-	1 pc.	1 pc.	-	1 pc.
P550	-	-	-	-	-	1 pc.	1 pc.	-	1 pc.
P600	-	-	-	-	-	1 pc.	1 pc.	-	1 pc.

Modèle	⑩ Matériel d'imperméabilisation pour embout conique	⑪ Matériel d'imperméabilisation pour embout conique <Côté basse pression>	⑫ Matériel d'imperméabilisation pour le tube fourni sur site <Côté haute pression>	⑬ Matériel d'imperméabilisation pour le tube fourni sur site <Côté basse pression>	⑭ Matériel d'imperméabilisation pour les pieds de la base	⑮ Matériel d'imperméabilisation pour les pieds de la base	⑯ Matériel d'imperméabilisation pour les panneaux à eau	⑰ Housse du tuyau <Côté basse pression>	⑱ Matériel d'imperméabilisation pour douille de vidange
P200	-	1 pc.	1 pc.	1 pc.	-	-	-	1 pc.	1 pc.
P250	-	1 pc.	1 pc.	1 pc.	-	-	-	1 pc.	1 pc.
P300	-	1 pc.	1 pc.	1 pc.	-	-	-	1 pc.	1 pc.
P350	-	1 pc.	1 pc.	1 pc.	4 pc.	4 pc.	1 pc.	1 pc.	1 pc.
P400	-	1 pc.	1 pc.	1 pc.	4 pc.	4 pc.	1 pc.	1 pc.	1 pc.
P450	-	1 pc.	1 pc.	1 pc.	4 pc.	4 pc.	1 pc.	1 pc.	1 pc.
P500	-	1 pc.	1 pc.	1 pc.	4 pc.	4 pc.	1 pc.	1 pc.	1 pc.
P550	-	1 pc.	1 pc.	1 pc.	4 pc.	4 pc.	1 pc.	1 pc.	1 pc.
P600	-	1 pc.	1 pc.	1 pc.	4 pc.	4 pc.	1 pc.	1 pc.	1 pc.

6. Transport de l'unité

[Fig. 6.0.1] (P.2)

- Ⓐ Cordes de suspension
(8 m [26 ft] ou plus longues x 2 cordes)
- Ⓑ Garnitures protectrices (avant et arrière, 4 points)

- Utilisez des cordes de transport qui résistent au poids de l'unité.
- Pour déménager l'unité, utilisez une **suspension en 4 points**, et évitez de donner des chocs à l'unité (n'utilisez pas de **suspension en 2 points**).
- Placez des garnitures protectrices sur l'unité aux points de contact avec les cordes pour éviter de la rayer.
- Ajustez l'angle des câbles à pas plus de 40°.
- Utilisez 2 cordes qui sont chacune de longueur supérieure à 8 m [26 ft].

⚠ Attention :

Faites très attention en portant/déménageant le produit.

- Pour installer l'unité de source de chaleur, suspendez-la aux points spécifiés sur la base. Stabilisez son assise aux 4 points, si nécessaire. Si l'unité suspendue ne repose que sur 3 points, elle risque de tomber.

7. Installation

7.1. Installation

[Fig. 7.1.1] (P.2)

- (A) Boulon d'ancrage M10. (fourni sur site)
 - (B) Vérifier que les coins d'installation des pieds sont correctement supportés pour éviter qu'ils ne se tordent.
 - (C) Vérifier que les coins d'installation des pieds sont correctement supportés.
- Fixez l'unité avec des boulons de sorte qu'elle ne tombe pas en raison de tremblements de terre ou de vents forts.
 - Utilisez du béton ou une cornière d'assemblage pour les fondations.
 - Des vibrations peuvent être transmises à la section d'installation et bruit et vibration peuvent être produits par le plancher et les murs, selon les conditions d'installation. Fournissez une protection suffisante contre les vibrations (coussinets, cadre de coussin, etc.).
 - Assurez que les coins sont fermement fixés. Si les coins ne sont pas fermement fixés, les pieds de l'unité peuvent être courbés.
 - Lorsque vous utilisez des coussinets, veillez à ce que toute la largeur de l'unité soit recouverte.
 - La longueur de projection du boulon d'ancrage doit être inférieure à 25 mm [1 in].
 - La série PQHY/PQRY-P ne doit pas être installée en l'extérieur.

⚠ Avertissement :

- **Installez l'unité dans un endroit assez résistant pour soutenir son poids. Toute faiblesse de résistance peut faire tomber l'unité et causer des blessures.**
- **Effectuez l'installation afin de la protéger contre les vents forts et les tremblements de terre. Toute installation incorrecte peut faire tomber l'unité et causer des blessures.**

Lors de la construction de la fondation, faites attention à la résistance du plancher, à la disposition de l'eau de drainage <en cours de fonctionnement, de l'eau de drainage s'écoule de l'unité>, et au routage des tubes et des câbles.

7.2. Espace de service

- Prévoir un dégagement.
- Dans le cadre de l'installation d'une seule unité, conserver un espace de 600 mm minimum à l'arrière pour faciliter l'entretien de l'appareil.

[Fig. 7.2.1] (P.2)

- (A) Espace permettant le retrait du boîtier de commande
- (B) Unité de source de chaleur
- (C) Espace de service (avant)

8. Installation du tuyau d'eau

Observer les précautions suivantes pendant l'installation.

8.1. Précautions à prendre pendant l'installation

- La résistance à la pression de l'eau des conduites d'eau de l'unité de source de chaleur est de 2,0 MPa [290 psi].
- Utilisez la méthode de retour inverse pour assurer une résistance adéquate des tuyaux de chaque appareil.
- Installez des raccords et des valves autour de chaque entrée/sortie de chaque unité pour faciliter la maintenance, les contrôles et tout remplacement.
- Pour protéger l'unité de source de chaleur, installer un filtre à tamis sur la conduite d'entrée de circulation de l'eau à moins de 1,5 m [4-7/8 ft] de l'unité de source de chaleur.
- Installer une ventilation adéquate sur le tuyau d'eau. Après l'écoulement d'eau dans le tuyau, évacuer l'excédent d'air.
- De l'eau peut stagner dans les sections à basse température de l'unité de source de chaleur. Ajouter un tuyau d'écoulement à la soupape de drainage du bas de l'appareil pour évacuer l'eau.
- Installer une soupape anti-reflux sur la pompe ainsi qu'un joint souple pour éviter des vibrations excessives.
- Utilisez un manchon pour protéger les tuyaux à leur endroit de pénétration dans les murs.
- Fixer les tuyaux à l'aide de fixations métalliques positionnées de sorte à protéger les tuyaux contre la casse et la torsion.
- Ne pas confondre les soupapes d'arrivée d'eau et d'évacuation.
- Cet appareil ne comprend pas d'élément de chauffage empêchant l'eau de geler. Si l'eau ne s'écoule lorsque la température ambiante est trop basse, purgez l'eau.
- Les orifices à dégager non utilisés doivent être tenus fermés. Les trous d'accès des tuyaux de réfrigérant, des tuyaux d'eau et des câbles de la source d'alimentation et de transmission doivent être remplis de mastic.
- Le bouchon de vidange est monté à l'arrière de l'unité en usine pour raccorder sur site aux conduites d'évacuation à l'avant de l'unité. Déplacez le bouchon à l'avant pour raccorder les conduites d'évacuation à l'arrière de l'unité. Contrôlez l'absence de fuites au niveau des raccords entre les conduites.
- En cas d'installation de 2 unités, montez les conduites d'eau en parallèle de manière à obtenir un flux d'écoulement d'eau identique au niveau des deux unités.
- Enrouler le ruban d'étanchéité comme suit.
 - ① Entourer le joint de ruban d'étanchéité dans le sens des filets (dans le sens des aiguilles d'une montre) et ne pas laisser le ruban déborder.
 - ② Recouvrir le ruban d'étanchéité entre les 2/3 et les 3/4 de sa largeur à chaque tour. Appuyer sur le ruban avec les doigts afin de bien le serrer sur chaque filet.
 - ③ Ne pas enrouler de ruban sur les derniers 1,5 à 2 filets.
- Lors de l'installation des tuyaux ou de la pommelle, serrer la tuyauterie d'eau sur site à un couple de 150 N.m (1500 kg.cm), sans fixer la tuyauterie d'eau sur la face latérale de l'appareil.
- Ne pas serrer la tuyauterie d'eau avec un couple excessif, car cela pourrait causer des dommages.

- Lors de la connexion de la tuyauterie d'eau des unités de source de chaleur et de la tuyauterie sur site, appliquez un matériau d'étanchéité liquide pour tuyauterie d'eau sur le ruban d'étanchéité avant la connexion.
- Veillez à monter un filtre (plus de 50 mailles) au niveau de la tuyauterie d'arrivée d'eau de l'appareil.

Exemple d'installation de l'unité de source de chaleur (lors de la mise en place des tuyaux par la gauche)

[Fig. 8.1.1] (P.3)

- (A) Conduite de circulation d'eau principale
- (B) Vanne d'arrêt
- (C) Vanne d'arrêt
- (D) Sortie d'eau (supérieure)
- (E) Tuyaux de réfrigérant
- (F) Vanne de type en Y
- (G) Entrée d'eau (inférieure)
- (H) Tuyau de drainage

- Afin de protéger l'appareil, tenez compte de la conception du circuit d'eau qui utilise les éléments du circuit d'eau, tels que ceux indiqués sur la [Fig. 8.1.2].

Exemple de circuit d'eau

[Fig. 8.1.2] (P.3)

- (A) Unité de source de chaleur
- (B) Filtre à tamis *1
- (C) Contacteur débitmétrique **2
- (D) Vanne d'arrêt **1
- (E) Indicateur de température **1
- (F) Manomètre **1
- (G) Clapet antiretour
- (H) Pompe
- (I) Raccord flexible
- (J) Soupape à 3 voies
- (K) Tour de refroidissement
- (L) Réservoir de chauffage

*1 Ces éléments sont fournis sur site.

**2 Voir "8.4 Engrenage des pompes" en ce qui concerne le réglage du fluxostat.

Remarque : La figure ci-dessus montre un exemple de circuit d'eau. Ce circuit est fourni uniquement à titre d'exemple et Mitsubishi Electric Corporation ne peut être tenue responsable de tout problème résultant de l'utilisation de ce circuit.

8.2. Mise en place de l'isolation

Tant que la plage de température de l'eau en circulation est maintenue à une température moyenne annuelle (30°C [86°F] en été, 20°C [68°F] en hiver), il n'est pas nécessaire d'isoler les tuyaux intérieurs. Vous devez seulement les isoler dans les cas suivants:

- Tuyauterie de la source de chaleur.
- Tuyauteries intérieures dans des régions froides où les tuyaux gelés constituent un problème.
- Lorsque l'air venant de l'extérieur provoque la formation de condensation sur la tuyauterie.
- Tuyauterie de vidange.

8.3. Traitement de l'eau et contrôle de la qualité de l'eau

Pour préserver la qualité de l'eau, utiliser une tour de refroidissement de type fermée. Lorsque la qualité de l'eau du circuit est mauvaise, l'échangeur de chaleur à eau peut s'entartrer, ce qui diminue sa puissance et peut conduire à sa corrosion. Toujours prendre le plus grand soin au traitement de l'eau et au contrôle de la qualité de celle-ci lors de l'installation du système avec circulation d'eau.

- Retirer tous les corps étrangers et les impuretés de la tuyauterie. Pendant l'installation, veiller à éviter la pénétration de corps étrangers, comme des débris de soudure, des particules de joints ou de rouille dans les tuyaux.
- Traitement de la qualité de l'eau

- ① En fonction de la qualité de l'eau froide utilisée dans le climatiseur, les tuyauteries en cuivre de l'échangeur de chaleur peuvent se corroder.

Nous conseillons d'effectuer régulièrement un contrôle de la qualité de l'eau. Les systèmes à circulation d'eau froide utilisant des réservoirs de stockage de chaleur sont particulièrement sujets à la corrosion. Si vous utilisez un réservoir de stockage de chaleur, installez un échangeur de chaleur à eau et utilisez un circuit à boucle fermée sur le côté du climatiseur. Si un réservoir d'alimentation en eau est installé, limitez au maximum les contacts avec l'air et vérifiez que le niveau d'oxygène dissous de l'eau ne dépasse pas 1 mg/l.

② Norme de qualité de l'eau

Eléments	Circuit d'eau à température faible à moyenne Temp. de l'eau ≤ 60 °C	Tendance		
		Eau de recirculation	Eau d'appoint	Corrosive
pH (25°C) [77°F]	7,0 ~ 8,0	7,0 ~ 8,0	○	○
Conductivité électrique (mS/m) (25°C) [77°F] (μs/cm) (25°C) [77°F]	30 ou moins [300 ou moins]	30 ou moins [300 ou moins]	○	○
Ions de chlore (mg Cl/l)	50 ou moins	50 ou moins	○	
Ions de sulfate (mg SO ₄ ²⁻ /l)	50 ou moins	50 ou moins	○	
Consommation acide (pH4.8) (mg CaCO ₃ /l)	50 ou moins	50 ou moins		○
Dureté totale (mg CaCO ₃ /l)	70 ou moins	70 ou moins		○
Dureté calcique (mg CaCO ₃ /l)	50 ou moins	50 ou moins		○
Silice ionique (mg SiO ₂ /l)	30 ou moins	30 ou moins		○
Fer (mg Fe/l)	1,0 ou moins	0,3 ou moins	○	○
Cuivre (mg Cu/l)	1,0 ou moins	0,1 ou moins	○	
Ions de soufre (mg S ²⁻ /l)	doivent être indétectables	doivent être indétectables	○	
Ions d'ammonium (mg NH ₄ ⁺ /l)	0,3 ou moins	0,1 ou moins	○	
Chlore résiduel (mg Cl/l)	0,25 ou moins	0,3 ou moins	○	
Gaz carbonique à l'état libre (mg CO ₂ /l)	0,4 ou moins	4,0 ou moins	○	
Indice de stabilité Ryzner	-	-	○	○

Référence : Guideline of Water Quality for Refrigeration and Air Conditioning Equipment (JRA GL02E-1994)

- ③ Contacter un spécialiste du contrôle de la qualité des eaux pour en savoir plus sur les méthodes de contrôle et les calculs de dureté avant d'utiliser des solutions anti-corrosives.
- ④ Lors du remplacement d'un climatiseur installé auparavant (même lorsque seul l'échangeur de chaleur est remplacé), effectuer une analyse de la qualité de l'eau et vérifier s'il n'y a pas de corrosion. La corrosion peut se produire dans des systèmes à eau froide sans qu'il y ait eu de signes précurseurs. Si le niveau de la qualité de l'eau chute, ajuster correctement la qualité de l'eau avant de remplacer l'appareil.

8.4. Engrenage des pompes

L'unité de source de chaleur risque d'être endommagée s'il est mis en service sans circulation d'eau dans les tuyaux. Veiller à toujours enclencher simultanément le fonctionnement de l'appareil et celui de la pompe du circuit d'eau. Utiliser les blocs terminaux pour l'enclenchement (TB8-1, 2, 3, 4) que vous trouverez sur l'appareil. Brancher le câble du signal du circuit d'enclenchement de la pompe, TB8-3, 4. Aussi, pour éviter toute fausse détection d'erreur due à une connexion défectueuse, au niveau de la soupape de pression 63PW, utiliser un faible courant maintenu à 5mA ou inférieur. Les cordons d'engrenage des pompes des éléments des unités de source de chaleur utilisés ne pourront pas répondre à des spécifications inférieures à celles du cordon souple gainé en polychloroprène (norme 60245 IEC 57).

[Fig. 8.4.1] (P.4)

Ⓐ Connexion du circuit d'enclenchement de la pompe (fourni sur site)

[Fig. 8.4.2] (P.4)

Ce circuit est destiné aux engrenages utilisés pour le fonctionnement de l'unité de source de chaleur et de la pompe du circuit d'eau.

- Ⓐ Unité de source de chaleur
- Ⓑ Panneau de commande (fourni sur site)
- Ⓒ Vers l'unité de source de chaleur suivante
- Ⓓ Signal de fonctionnement ON
- Ⓔ Engrenage des pompes

- X : Relais
- FS : contacteur débitmétrique
- 52P : contacteur magnétique pour la pompe du circuit d'eau
- MP : pompe du circuit d'eau
- MCB : disjoncteur

* Utilisez une cosse à anneau isolée pour raccorder le câblage au TB8.

N° de la borne	TB8-1, 2																														
Sortie	Sortie contacts relais Tension nominale : 220 ~ 240V Charge nominale : 1A																														
Fonctionnement	<ul style="list-style-type: none"> • Lorsque le réglage N° 917 pour le commutateur Dip SW4 (commutateurs Dip SW6-10 en position ON) est en position OFF. Le relais se ferme pendant le fonctionnement du compresseur. <table border="1" style="margin: 10px auto;"> <tr> <td colspan="10" style="text-align: center;">SW4 0: OFF, 1: ON</td> </tr> <tr> <td>1</td><td>2</td><td>3</td><td>4</td><td>5</td><td>6</td><td>7</td><td>8</td><td>9</td><td>10</td> </tr> <tr> <td>1</td><td>0</td><td>1</td><td>0</td><td>1</td><td>0</td><td>0</td><td>1</td><td>1</td><td>1</td> </tr> </table> <ul style="list-style-type: none"> • Lorsque le réglage N° 917 pour le commutateur Dip SW4 (commutateurs Dip SW6-10 en position ON) est en position ON. Le relais se ferme lorsqu'il reçoit le signal du refroidissement ou du chauffage provenant du contrôleur. (Remarque : Il produit même si le thermostat est en position OFF (quand le compresseur ne fonctionne pas).) 	SW4 0: OFF, 1: ON										1	2	3	4	5	6	7	8	9	10	1	0	1	0	1	0	0	1	1	1
SW4 0: OFF, 1: ON																															
1	2	3	4	5	6	7	8	9	10																						
1	0	1	0	1	0	0	1	1	1																						

8.5. Contrôle du taux de débit d'eau

Les précautions suivantes doivent être prises lors de l'installation du système de contrôle du taux de débit d'eau.

- ① Vérifier que les pièces du circuit d'eau requises pour le système de contrôle du taux de débit d'eau sont déjà installées. [Fig. 8.5.1]
- ② Brancher les câbles d'alimentation requis pour le système de contrôle du taux de débit d'eau. [Fig. 8.5.1]
- ③ Il est possible de régler le taux de débit d'eau à l'aide d'un dispositif de sortie 0-10 Vcc sans faire fonctionner l'unité de source de chaleur. Vérifier que le taux de débit d'eau fourni à l'unité de source de chaleur est compris dans la gamme autorisée. Si un dispositif de sortie 0-10 Vcc n'est pas utilisé, ignorer cette vérification et passer à l'étape ④.
 1. Brancher les câbles du signal pour le dispositif de sortie 0-10 Vcc et la vanne motorisée.
 2. Mettre la pompe et la vanne motorisée sous tension.
 3. Vérifier le taux de débit d'eau.

- Spécification de la vanne motorisée (0V : complètement ouverte, 10V : fermée)
Lorsque la valeur est de 0V en sortie, vérifier que le taux de débit d'eau fourni à l'unité de source de chaleur ne dépasse pas la limite supérieure.
Lorsque la valeur est de 5,5V (5V +10%) en sortie, vérifier que le taux de débit d'eau fourni à l'unité de source de chaleur n'est pas plus bas que la limite inférieure.
- Spécification de la vanne motorisée (0V : fermée, 10V : complètement ouverte)
Lorsque la valeur est de 10V en sortie, vérifier que le taux de débit d'eau fourni à l'unité de source de chaleur ne dépasse pas la limite supérieure.
Lorsque la valeur est de 6,8V (7,6V -10%) en sortie, vérifier que le taux de débit d'eau fourni à l'unité de source de chaleur n'est pas plus bas que la limite inférieure.

État	A	B-1	B-2	C
Condition	Lorsque les appareils sont arrêtés	Lorsque le thermostat de toutes les unités de source de chaleur est en position off SW4 (901) = ON SW4 (901) = OFF		Pendant que le compresseur fonctionne
SW4 (810) = OFF	10V	10V	5V (taux de débit d'eau minimal)	5~0V
SW4 (810) = ON	0V	0V	7,6V (taux de débit d'eau minimal)	7,6~9,1V

* Il est possible qu'une fluctuation se produise en sortie, pouvant atteindre les 10%.

Modèle	Gamme des taux de débit d'eau	
P200~P300	8~12 HP	3,0~7,2 m³/h (50~120 L/min.)
P350~P500	14~20 HP	4,5~11,6 m³/h (75~192 L/min.)
P550~P600	22~24 HP	6,0~14,4 m³/h (100~240 L/min.)

- ④ Brancher les câbles de signal pour la commande d'enclenchement de la pompe (TB8-3 et 4) et d'ouverture de la vanne motorisée (TB9-5 et 6).
- ⑤ Si le taux de débit d'eau n'a pas été vérifié en ③ ci-dessus, contrôler que le taux de débit d'eau fourni à l'unité de source de chaleur rentre bien dans la gamme autorisée.
 - Spécification de la vanne motorisée (0V : complètement ouverte, 10V : fermée)
 1. Alimentation sur la pompe, la vanne motorisée et l'appareil.
 2. Mettre le commutateur DIP SW6-10 sur ON et le réglage N° 810 pour le commutateur DIP SW4 sur ON.
 3. Lorsque l'appareil intérieur ne fonctionne pas, vérifier que le taux de débit d'eau fourni à l'unité de source de chaleur ne dépasse pas la limite supérieure.

4. Mettre le commutateur DIP SW6-10 sur ON et le réglage N° 810 pour le commutateur DIP SW4 sur OFF.
 5. Faire fonctionner l'appareil intérieur (en mode de refroidissement ou de chauffage) en utilisant la télécommande.
 6. Lorsque le thermostat de toutes les unités de source de chaleur est en position off, vérifier que le taux de débit d'eau fourni à l'unité de source de chaleur n'est pas plus bas que la limite inférieure.
- Spécification de la vanne motorisée (0V : fermée, 10V : complètement ouverte)
 1. Alimentation sur la pompe, la vanne motorisée et l'appareil.
 2. Lorsque l'appareil intérieur ne fonctionne pas, vérifier que le taux de débit d'eau fourni à l'unité de source de chaleur ne dépasse pas la limite supérieure.
 3. Mettre le commutateur DIP SW6-10 sur ON et le réglage N° 810 pour le commutateur DIP SW4 sur ON.
 4. Faire fonctionner l'appareil intérieur (en mode de refroidissement ou de chauffage) en utilisant la télécommande.
 5. Lorsque le thermostat de toutes les unités de source de chaleur est en position off, vérifier que le taux de débit d'eau fourni à la source de chaleur n'est pas plus bas que la limite inférieure.

⑥ Brancher les câbles du signal ON de fonctionnement de la pompe (TB8-1 et 2).

⑦ Définir les paramètres corrects, conformes au système.

Commutateur No.	810
Fonctionnement	<ul style="list-style-type: none"> • Lorsque le réglage N° 810 pour le commutateur DIP SW4 est défini sur OFF (paramètre par défaut) 0V : complètement ouverte, 10V : fermée (pour la vanne motorisée) • Lorsque le réglage N° 810 pour le commutateur DIP SW4 est défini sur ON 0V : fermée, 10V : complètement ouverte (pour la vanne motorisée)
Commutateur No.	901
Fonctionnement	<ul style="list-style-type: none"> • Lorsque le réglage N° 901 pour le commutateur DIP SW4 est défini sur OFF (paramètre par défaut) La vanne motorisée est ouverte alors que le thermostat de toutes les unités de source de chaleur (OC/OS) est en position Off. • Lorsque le réglage N° 901 pour le commutateur DIP SW4 est défini sur ON La vanne motorisée est fermée pendant que le thermostat de toutes les unités de source de chaleur (OC/OS) est en position Off.
Commutateur No.	917
Fonctionnement	<ul style="list-style-type: none"> • Lorsque le réglage N° 917 pour le commutateur DIP SW4 est défini sur OFF (paramètre par défaut) Le relais se ferme pendant le fonctionnement du compresseur. • Lorsque le réglage N° 917 pour le commutateur DIP SW4 est défini sur ON Le relais se ferme lorsqu'il reçoit le signal du refroidissement ou du chauffage provenant du contrôleur.

Commutateur No.	SW4 0 : OFF, 1 : ON									
	1	2	3	4	5	6	7	8	9	10
810	0	1	0	1	0	1	0	0	1	1
901	1	0	1	0	0	0	0	1	1	1
917	1	0	1	0	1	0	0	1	1	1

*Suivre les étapes ci-dessous pour le réglage des fonctions.

1. Positionner le commutateur DIP SW6-10 sur ON.
2. Définir le commutateur DIP SW4.
3. Appuyer pendant au moins deux secondes sur SWP1 pour modifier les réglages.

*Utiliser la combinaison suivante de réglages des commutateurs DIP.

- Le réglage N° 901 pour le commutateur DIP SW4 est positionné sur OFF et le réglage N° 917 pour le commutateur DIP SW4 est en position ON.
- Le réglage N° 901 pour le commutateur DIP SW4 est positionné sur ON et le réglage N° 917 pour le commutateur DIP SW4 est en position OFF.

⑧ Vérifier que le système de contrôle du taux de débit d'eau, unité de source de chaleur comprise, fonctionne correctement.

1. Alimentation sur la pompe, la vanne motorisée et l'appareil.
2. Faire fonctionner l'appareil intérieur (en mode de refroidissement ou de chauffage) en utilisant la télécommande.
3. Vérifier qu'il n'y a pas "d'erreur 2000" indiquée (erreur d'enclenchement de la pompe).

⑨ Vérifier que le taux de débit d'eau fourni à l'unité de source de chaleur est comprise dans la gamme autorisée.

- S'assurer que la température de l'eau en circulation est comprise dans la gamme autorisée.
- Vérifier que la pommelle n'est pas obstruée.
- Lorsque plusieurs unités de source de chaleur sont opérés par une seule pompe, vérifier que le taux de débit d'eau fourni à chaque unités de source de chaleur est inclus dans la gamme autorisée, quel que soit l'état (ON ou OFF) des unités de source de chaleur dans le système.

[Fig. 8.5.1] (P.4)

Diagramme pour l'utilisation du système de contrôle du taux de débit d'eau.

- | | | | |
|---|---|---|-----------------------------|
| Ⓐ | Unité de source de chaleur | Ⓑ | Vanne motorisée *1 |
| Ⓒ | Vanne de réglage *1 | Ⓓ | Vanne d'arrêt *1 |
| Ⓔ | Régulateur de circulation d'eau *1 | Ⓕ | Conduite d'eau |
| Ⓖ | Câble d'alimentation | Ⓗ | Câble de signal |
| Ⓙ | Enclenchement de la pompe | Ⓙ | Signal de fonctionnement ON |
| Ⓚ | Commande d'ouverture | | |
| Ⓛ | Alimentation électrique pour la vanne motorisée (24 Vca ou 24 Vcc) *2 | | |

*1 Ces articles ne sont pas fournis.

*2 Ne pas brancher les câbles d'alimentation du TB9-1 et 2 dans le bloc d'alimentation de la vanne motorisée. Cela pourrait endommager la carte d'entrée/de sortie.

9. Installation de la tuyauterie du frigorigène

Le tube est connecté par l'intermédiaire d'une connexion de type branche terminale dans laquelle la tuyauterie du frigorigène provenant de l'unité de source de chaleur est branchée au terminal et est connectée à chacune des unités d'intérieur.

La méthode de connexion du tuyau est la suivante : connexion évasée pour les unités intérieures, tuyaux de gaz (basse pression pour série PQRY-P) et tuyaux de liquide (haute pression pour série PQRY-P) pour la source de chaleur, connexion brasée. Notez que les sections branchées sont brasées.

⚠ Avertissement :

Utilisez uniquement un réfrigérant de type indiqué dans les manuels fournis avec l'unité et sur la plaque signalétique.

- Faute de quoi, l'unité ou la tuyauterie pourrait éclater, ou cela pourrait provoquer une explosion ou un incendie pendant l'utilisation, la réparation ou la mise au rebut de l'unité.
- Cela pourrait également constituer une violation des lois applicables.
- MITSUBISHI ELECTRIC CORPORATION ne peut être tenue responsable de tout dysfonctionnement ou accident résultant de l'utilisation du mauvais type de réfrigérant.

Toujours faire très attention à empêcher le gaz frigorigène de fuir quand vous utilisez du feu ou une flamme. Si le gaz frigorigène entre en contact avec une flamme de n'importe quelle source, telle qu'un fourneau à gaz, il se décompose et produit un gaz toxique qui peut provoquer une intoxication au gaz. Ne soudez jamais dans une salle non aérée. Effectuez toujours une inspection de fuite de gaz après que l'installation de la tuyauterie du frigorigène ait été complétée.

9.1. Mises en garde

Cette unité utilise le frigorigène de type R410A. Observez les règlements locaux lors de la sélection des matériaux et de l'épaisseur des tubes. (Reportez-vous au tableau ci-dessous.)

① Utilisez les matériaux suivants pour la tuyauterie frigorifique.

- Matériaux : Utilisez des tubes en alliage de cuivre sans soudure faits en cuivre désoxydé par phosphore. Assurez-vous que les surfaces internes et externes des tubes sont propres et dépourvues de soufre, d'oxydes, de poussières, de particules de rasage, d'huile et d'humidité (contamination).
- Dimension : Reportez-vous à 9.2. pour les informations détaillées sur le système de tuyauterie du frigorigène.

- ② La tuyauterie fournie sur site contient souvent de la poussière et d'autres matériaux. Toujours la nettoyer à l'aide d'un jet de gaz inerte sec.
- ③ Prenez soin d'empêcher la poussière, l'eau ou autres contaminants de pénétrer dans la tuyauterie pendant l'installation.
- ④ Réduire autant que possible le nombre de sections courbées, et utilisez des rayons de cintrage aussi grands que possible.
- ⑤ Pour les branchements et la connexion des unités intérieures et des unités de source de chaleur, utiliser les jeux suivants de tubes de jumelage et de tubes convergents (vendus séparément).

Kit de tubes de jumelage intérieur série PQRY-P UNIQUEMENT	
Branchement de ligne	
Unité en aval Moins de 200 au total	Unité en aval Plus de 201 et moins de 250 au total
CMY-Y102SS-G2	CMY-Y102LS-G2

Kit de tubes de raccordement intérieur série PQRY-P UNIQUEMENT	
Modèle d'intérieur (total) 100 ~ 250 CMY-R160-J1	
Kit de jumelage extérieur série PQRY-P UNIQUEMENT	
Modèle extérieur (total) P400 ~ P600 CMY-Q100CBK2	Modèle extérieur (total) P700 ~ P900 CMY-Q200CBK

Dimension du tube en cuivre et épaisseur radiale pour le R410A CITY MULTI.

Dimension (mm)	Dimension (in)	Épaisseur radiale (mm)	Épaisseur radiale (mil)	Type de tube
ø6,35	ø1/4	0,8	32	Type-O
ø9,52	ø3/8	0,8	32	Type-O
ø12,7	ø1/2	0,8	32	Type-O
ø15,88	ø5/8	1,0	40	Type-O
*ø19,05	ø3/4	1,2	48	Type-O
*ø19,05	ø3/4	1,0	40	Type-1/2H ou H
ø22,2	ø7/8	1,0	40	Type-1/2H ou H
ø25,4	ø1	1,0	40	Type-1/2H ou H
ø28,58	ø1-1/8	1,0	40	Type-1/2H ou H
ø31,75	ø1-1/4	1,1	44	Type-1/2H ou H
ø34,93	ø1-3/8	1,2	48	Type-1/2H ou H
ø41,28	ø1-5/8	1,4	56	Type-1/2H ou H

* Les deux types de tube peuvent être utilisés pour une taille de tube de ø19,05 mm (3/4 in) pour le climatiseur R410A.

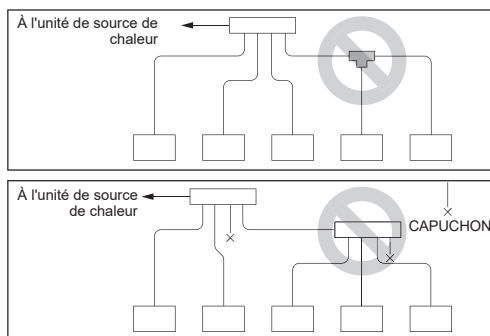
- ⑥ Utilisez un raccord si un tube de frigorigène spécifié a un diamètre différent de celui du tube de branchement.
- ⑦ Observez les restrictions sur la tuyauterie de frigorigène (telles que la longueur nominale, la différence de hauteur et le diamètre du tube) pour empêcher la défaillance de l'équipement ou une diminution de la performance de chauffage/refroidissement.

Jeu de tubes de jumelage intérieur série PQHY-P UNIQUEMENT			
Branchement de ligne			
Unité en aval Moins de 200 au total	Unité en aval Plus de 201 et moins de 400 au total	Unité en aval Plus de 401 et moins de 650 au total	Unité en aval Plus de 651 au total
CMY-Y102SS-G2	CMY-Y102LS-G2	CMY-Y202S-G2	CMY-Y302S-G2

Jeu de tubes de jumelage intérieur série PQHY-P UNIQUEMENT		
Branchement de collecteur		
4 branches	8 branches	10 branches
CMY-Y104-G	CMY-Y108-G	CMY-Y1010-G

Kit de jumelage extérieur série PQHY-P UNIQUEMENT	
Total pour modèle extérieur P400 ~ P600 CMY-Y100VBK3	Total pour modèle extérieur P700 ~ P900 CMY-Y200VBK2

- ⑧ Les unités intérieures ne peuvent pas être branchées en aval du collecteur. (voir diagramme ci-dessous.) *Série PQHY-P UNIQUEMENT.



- ⑨ Un manque ou un excès de frigorigène peut arrêter l'unité. Chargez le système d'une quantité appropriée de frigorigène. Au cours d'un entretien, vérifiez toujours les informations concernant la longueur du tube et la quantité de frigorigène supplémentaire aux deux emplacements, le tableau de calcul du volume de frigorigène au dos du panneau de service et la section de frigorigène supplémentaire sur les étiquettes pour le nombre combiné d'unités d'intérieur (reportez-vous à 9.2. pour les informations détaillées sur le système de tubes de frigorigène).
- ⑩ Chargez le système avec un frigorigène liquide.
- ⑪ N'utilisez jamais de frigorigène pour purger l'air. Servez-vous toujours d'une pompe à vide pour évacuer.
- ⑫ Isolez toujours correctement la tuyauterie. Une isolation insuffisante aura comme conséquence une diminution de la performance de chauffage/refroidissement, de la condensation et d'autres problèmes de ce type (reportez-vous à 10.4 pour l'isolation de la tuyauterie du frigorigène).

- ⑬ Lors du branchement de la tuyauterie du frigorigène, assurez-vous que la valve de l'unité de source de chaleur est complètement fermée (réglage usine) et ne l'actionnez pas jusqu'à ce que la tuyauterie du frigorigène de l'unité de source de chaleur et le contrôleur BC ait été connectés, qu'un essai d'étanchéité du frigorigène ait été exécuté et que le processus d'évacuation ait été complété.
- ⑭ **Brasez seulement avec un matériau de brasage non oxydé. Le non-respect de cette instruction peut endommager le compresseur. Brasez avec une purge d'azote. N'utilisez aucun agent antioxydant disponible dans le commerce car il peut causer la corrosion des tubes et dégrader l'huile du frigorigène. Contactez Mitsubishi Electric pour plus de détails.** (Reportez-vous à 10.2. pour des détails sur la connexion de la tuyauterie et du fonctionnement de la valve)
- ⑮ **Ne connectez jamais de tuyauterie quand il pleut.**

⚠ Avertissement :

En installant et en déplaçant l'unité, ne chargez pas le système avec un frigorigène autre que celui qui est spécifié.

- Le mélange d'un réfrigérant différent, d'air, etc. peut faire mal fonctionner le cycle frigorifique et peut occasionner des dommages sévères.

⚠ Attention :

- **Utilisez une pompe à vide avec clapet anti-retour de flux inverse.**
 - Si la pompe à vide n'a pas de clapet anti-retour de flux inverse, l'huile de la pompe à vide peut refluer dans le cycle frigorifique et détériorer l'huile frigorifique.
- **N'utilisez pas les outils indiqués ci-dessous qui sont utilisés avec les frigorigènes conventionnels.** (Manomètre de pression, tuyau flexible de charge, détecteur de fuite de gaz, clapet anti-retour de flux inverse, base de charge du frigorigène, manomètre à vide, équipement de récupération du frigorigène)
 - Le mélange de frigorigène conventionnel et d'huile frigorifique peut détériorer l'huile frigorifique.
 - Le mélange d'eau détériore l'huile frigorifique.
 - Le frigorigène R410A ne contient aucun chlore. Par conséquent, les détecteurs de fuite de gaz pour les frigorigènes conventionnels ne réagissent pas.
- **Gérez soigneusement les outils utilisés pour le R410A.**
 - Si de la poussière, des saletés ou de l'eau pénètre dans le cycle frigorifique, l'huile frigorifique se détériore.
- **N'utilisez jamais la tuyauterie du frigorigène existante.**
 - La grande quantité de chlore dans un frigorigène conventionnel et l'huile frigorifique dans la tuyauterie existante détérioreront le nouveau frigorigène.
- **Entreposez à l'intérieur la tuyauterie à utiliser pour l'installation et gardez scellées les deux extrémités de la tuyauterie jusqu'au moment du brasage.**
 - Si de la poussière, des saletés ou de l'eau pénètre dans le cycle frigorifique, l'huile se détériore et le compresseur peut défaillir.
- **N'utilisez pas de cylindre de chargement.**
 - Utiliser un cylindre de chargement peut détériorer le frigorigène.
- **N'utilisez pas de détergents spéciaux pour laver la tuyauterie.**

9.2. Système de tuyauterie du frigorigène

Exemple de système de tuyauterie du frigorigène

[Fig. 9.2.1] (P.5, P.7 - 8)

- | | |
|---|--|
| Ⓐ Modèle de la source de chaleur | Ⓑ Côté fluide |
| Ⓒ Côté gaz | Ⓔ Capacité totale d'unités d'intérieur |
| Ⓓ Tube de fluide | Ⓕ Tube de gaz |
| Ⓘ Numéro de modèle | Ⓖ Total de modèle d'unité en aval |
| Ⓚ La 1ère branche de P350 ~ P600 | Ⓛ La 1ère branche de P700 ~ P900 |
| Ⓜ Joint | |
| Ⓝ Collecteur 4 branches (nombre total de modèles d'unités en aval ≤ 200) | |
| Ⓞ Collecteur 8 branches (nombre total de modèles d'unités en aval ≤ 350) | |
| Ⓟ Collecteur 10 branches (nombre total de modèles d'unités en aval ≤ 600) | |
| Ⓠ Kit de jumelage de la source de chaleur | |
| Ⓣ La 1ère branche de P200 ~ P300 | |
| Ⓐ Unité de source de chaleur | Ⓛ Première branche |
| Ⓒ Unité d'intérieur | Ⓞ Capuchon |
| Ⓔ Kit de jumelage de la source de chaleur | Ⓠ Collecteur |

- * La longueur totale des éléments A¹ et A² est inférieure à 10 m [32 ft].
- *1 ø12,7 [1/2] pour plus de 90 m [295 ft]
- *2 ø12,7 [1/2] pour plus de 40 m [131 ft]
- *4 Les tailles de tube listées dans les colonnes A1 à A2 de ce tableau correspondent aux tailles des modèles listés dans les colonnes 1 et 2 de l'unité. Quand l'ordre des modèles pour l'unité 1 et 2 change, veillez à utiliser la taille de tube appropriée.
- *5 Ⓛ Si la longueur du tube après le premier raccord dépasse 40 m [131 ft] (≤ 90 m [295 ft]), utilisez le tube de fluide plus large d'une taille pour l'unité intérieure. (pour la série PQHY-P)
- *6 Pour en savoir plus sur la méthode de raccordement au contrôleur Hydro BC, reportez-vous au Manuel d'installation fourni avec le contrôleur Hydro BC.

[Fig. 9.2.2] (P.6 - 8)

- | | | | |
|---|---|---|--------------------------------------|
| A | Modèle de la source de chaleur | D | Côté haute pression |
| E | Côté basse pression | F | Capacité totale d'unités d'intérieur |
| G | Tube de fluide | H | Tube de gaz |
| I | Numéro de modèle | J | Total de modèle d'unité en aval |
| O | Kit de jumelage de la source de chaleur | R | Tube de gaz haute pression |
| S | Tube de gaz basse pression | | |
| A | Unité de source de chaleur | B | Contrôleur BC (standard) |
| C | Contrôleur BC (principal) | D | Contrôleur BC (secondaire) |
| E | Unité intérieure (10 ~ 80) | F | Unité intérieure (100 ~ 250) |
| G | Kit de jumelage de la source de chaleur | | |

- *3 Lorsque la longueur de la tuyauterie est de 65 m [213 ft] ou plus, utilisez le tuyau de $\varnothing 28,58$ [1-1/8] pour la partie qui dépasse les 65 m [213 ft].
- *4 Les tailles de tube listées dans les colonnes A1 à A2 de ce tableau correspondent aux tailles des modèles listés dans les colonnes 1 et 2 de l'unité. Quand l'ordre des modèles pour l'unité 1 et 2 change, veillez à utiliser la taille de tube appropriée.

Précautions pour les combinaisons d'unités de source de chaleur
Reportez-vous à [Fig. 9.2.3] pour le positionnement des tubes de jumelage.

[Fig. 9.2.3] (P.9)

- <A> Quand la tuyauterie (du tube de jumelage) dépasse 2 m [6 ft], ajoutez un siphon (tube de gaz seulement) à moins de 2 m [6 ft]. Veillez à ce que la hauteur du siphon soit de 200 mm [7-7/8 in] ou plus.
S'il n'y a aucun siphon, l'huile peut s'accumuler à l'intérieur du tube, entraînant un manque d'huile qui peut endommager le compresseur. (pour la série PQHY-P)
- Exemple de connexion de tuyauterie (pour la série PQHY-P)
- | | | | |
|---|--|---|--------------------------------|
| A | Unité intérieure | B | Siphon (tube de gaz seulement) |
| C | À moins de 2 m [6 ft] | D | Tube de jumelage |
| E | Tubes sur le site | F | Kit de jumelage |
| G | Longueur de tube droit d'au moins 500 mm [19-11/16 in] | | |

Précautions pour les combinaisons d'unités de source de chaleur
Reportez-vous à [Fig. 9.2.4] pour le positionnement des tubes de jumelage.

[Fig. 9.2.4] (P.9 - 10)

- <A> Installez la tuyauterie de sorte que l'huile ne s'accumule pas dans l'unité de source de chaleur arrêtée. (côté liquide et gaz pour la série PQHY-P, côté haute pression uniquement pour la série PQRYP)
1. L'exemple NG illustre une accumulation d'huile car les unités sont installées de manière inversée, que l'unité 1 est en cours d'utilisation et que l'unité 2 est arrêtée.
 2. L'exemple NG illustre une accumulation d'huile dans l'unité 1, que l'unité 2 est en cours d'utilisation et que l'unité 1 est arrêtée. La hauteur (h) du tube vertical doit être de 0,2 m (7-7/8 in) maximum.
 3. L'exemple NG illustre une accumulation d'huile dans l'unité 1, que l'unité 2 est en cours d'utilisation et que l'unité 1 est arrêtée. La hauteur (h) du tube vertical doit être de 0,2 m (7-7/8 in) maximum.
 4. L'exemple NG illustre une accumulation d'huile dans l'unité 2, que l'unité 1 est en cours d'utilisation et que l'unité 2 est arrêtée. La hauteur (h) du tube vertical doit être de 0,2 m (7-7/8 in) maximum.
- Pente des tubes de jumelage (pour la série PQHY-P)
Assurez-vous que la pente des tubes de jumelage est sous un angle dans la plage $\pm 15^\circ$ par rapport au sol.
Si la pente excède l'angle indiqué, l'unité peut être endommagée.
- <C> Exemple de connexion de tuyauterie (pour la série PQRYP)
- | | | | |
|---|---|---|------------------|
| A | Pente descendante | B | Pente ascendante |
| C | Contrôleur BC (standard ou principal) | D | Tube de jumelage |
| E | La pente du tube de jumelage est sous un angle compris dans la plage de $\pm 15^\circ$ par rapport à la terre | | |
| F | Tube de jumelage (côté basse pression) | | |
| G | Tube de jumelage (côté haute pression) | | |
| H | Tuyauterie fournie sur site (tube de connexion basse pression : entre les unités de source de chaleur) | | |
| I | Tuyauterie fournie sur site (tube principal basse pression : pour contrôleur BC) | | |
| J | Tuyauterie fournie sur site (tube principal haute pression : pour contrôleur BC) | | |

⚠ Attention :

- N'installez pas de siphon pour éviter retours d'huile et échecs de démarrage du compresseur.
- N'installez pas de valves solénoïdes pour éviter retours d'huile et erreurs de démarrage du compresseur.
- N'installez pas de vitre d'observation car elle pourrait indiquer un flux réfrigérant erroné.
Si une vitre d'observation est installée, des techniciens inexpérimentés sont susceptibles de surcharger le réfrigérant.

10. Charge supplémentaire de frigorigène

Au moment de l'expédition, l'unité de source de chaleur est chargée de frigorigène. Cette charge n'inclut pas la quantité totale requise pour l'extension de tuyauterie, de sorte qu'une charge supplémentaire de chaque ligne de frigorigène est requise sur le site. Gardez toujours une note de la taille et de la longueur de chaque ligne de frigorigène et de la quantité de charge supplémentaire en l'inscrivant dans l'espace fourni sur l'unité de source de chaleur, pour référence.

10.1. Calcul de la charge supplémentaire de frigorigène

- Calculez la quantité de charge supplémentaire basée sur la longueur de l'extension de tuyauterie et la taille de la ligne de frigorigène.
- Utilisez le tableau ci-dessous comme guide pour calculer la quantité de charge supplémentaire, puis chargez le système en conséquence.
- Si le calcul a pour résultat une fraction de moins de 0,1 kg [4 oz], arrondissez jusqu'au 0,1 kg [4 oz] suivant. Par exemple, si le résultat du calcul est de 28,73 kg [1014 oz], arrondissez le résultat à 28,8 kg [1016 oz].
- Consultez le manuel d'installation du contrôleur HBC pour connaître la quantité supplémentaire de réfrigérant pour un système Hybrid City Multi.
- Le réfrigérant ne doit pas être ajouté dans les appareils intérieurs d'un système Hybrid City Multi.

Pour PQHY

<Charge supplémentaire>

- Longueur du tuyau à partir de l'unité extérieure jusqu'à l'unité intérieure la plus éloignée ≤ 30,5 m [100 ft]: Utilisez le tableau [A].
- Longueur du tuyau à partir de l'unité extérieure jusqu'à l'unité intérieure la plus éloignée > 30,5 m [100 ft]: Utilisez le tableau [B].

Charge supplémentaire de frigorigène		=		Taille de tube de fluide Longueur totale de ø19,05 mm [3/4 in]		+	Taille de tube de fluide Longueur totale de ø15,88 mm [5/8 in]		+	Taille de tube de fluide Longueur totale de ø12,7 mm [1/2 in]	
[A]	(kg)[oz]	[A]	(m) × 0,29 (kg/m) (ft) × 3,12 (oz/ft)	[A]	(m) × 0,2 (kg/m) (ft) × 2,16 (oz/ft)	[A]	(m) × 0,12 (kg/m) (ft) × 1,30 (oz/ft)				
[B]	(kg)[oz]	[B]	(m) × 0,26 (kg/m) (ft) × 2,80 (oz/ft)	[B]	(m) × 0,18 (kg/m) (ft) × 1,94 (oz/ft)	[B]	(m) × 0,11 (kg/m) (ft) × 1,19 (oz/ft)				

+ Taille de tube de fluide Longueur totale de ø9,52 mm [3/8 in]		+ Taille de tube de fluide Longueur totale de ø6,35 mm [1/4 in]	
[A]	(m) × 0,06 (kg/m) (ft) × 0,65 (oz/ft)	[A]	(m) × 0,024 (kg/m) (ft) × 0,26 (oz/ft)
[B]	(m) × 0,054 (kg/m) (ft) × 0,59 (oz/ft)	[B]	(m) × 0,021 (kg/m) (ft) × 0,23 (oz/ft)

Charge supplémentaire		
Modèle d'unité de source de chaleur	Quantité chargée	
Unique	P550	1,0 kg [36 oz]
	P600	1,0 kg [36 oz]

<Exemple>

Intérieur 1: 125	A: ø12,7 [1/2 in]	40 m [131 ft]	a: ø9,52 [3/8 in]	10 m [32 ft]	} Aux conditions ci-dessous :
2: 100	B: ø9,52 [3/8 in]	10 m [32 ft]	b: ø9,52 [3/8 in]	5 m [16 ft]	
3: 40	C: ø9,52 [3/8 in]	15 m [49 ft]	c: ø6,35 [1/4 in]	10 m [32 ft]	
4: 32	D: ø9,52 [3/8 in]	10 m [32 ft]	d: ø6,35 [1/4 in]	10 m [32 ft]	
5: 63			e: ø9,52 [3/8 in]	10 m [32 ft]	

La longueur totale de chaque ligne de fluide est la suivante:

ø12,7 [1/2 in]: A = 40 m [131 ft]

ø9,52 [3/8 in]: B + C + D + a + b + e = 10 [32] + 15 [49] + 10 [32] + 10 [32] + 5 [16] + 10 [32] = 60 m [193 ft]

ø6,35 [1/4 in]: c + d = 10 [32] + 10 [32] = 20 m [64 ft]

Par conséquent, charge supplémentaire de frigorigène

= 40 m [131 ft] × 0,11 kg/m [1,19 oz/ft] + 60 m [193 ft] × 0,054 kg/m [0,59 oz/ft] + 20 m [64 ft] × 0,021 kg/m [0,23 oz/ft] + 3,0 kg [106 oz] = 11,1 kg [391 oz]

Valeur de α

Capacité totale des unités intérieures connectées	α
80 ou ci-dessous	2,0 kg [71 oz]
81 à 160	2,5 kg [89 oz]
161 à 330	3,0 kg [106 oz]
331 à 390	3,5 kg [124 oz]
391 à 480	4,5 kg [159 oz]
481 à 630	5,0 kg [177 oz]
631 à 710	6,0 kg [212 oz]
711 à 800	8,0 kg [283 oz]
801 à 890	9,0 kg [318 oz]
891 à 1070	10,0 kg [353 oz]
1071 à 1250	12,0 kg [424 oz]
1251 ou au-dessus	14,0 kg [494 oz]

* Certains types d'appareils intérieurs nécessitent une charge de réfrigérant supplémentaire. Consultez le document séparé intitulé « ADDITIONAL REFRIGERANT (Réfrigérant supplémentaire) » que vous pouvez télécharger à l'adresse <http://www.mitsubishielectric.com/ldg/ibim/>.

Pour PQRV

<Charge supplémentaire>

- Longueur du tuyau à partir de l'unité extérieure jusqu'à l'unité intérieure la plus éloignée ≤ 30,5 m [100 ft]: Utilisez le tableau [A].
- Longueur du tuyau à partir de l'unité extérieure jusqu'à l'unité intérieure la plus éloignée > 30,5 m [100 ft]: Utilisez le tableau [B].

Charge supplémentaire de frigorigène		=		Taille de tube haute pression Longueur totale de ø28,58 mm [1-1/8 in]		+	Taille de tube haute pression Longueur totale de ø22,2 mm [7/8 in]		+	Taille de tube haute pression Longueur totale de ø19,05 mm [3/4 in]	
[A]	(kg)[oz]	[A]	(m) × 0,36 (kg/m) (ft) × 3,88 (oz/ft)	[A]	(m) × 0,23 (kg/m) (ft) × 2,48 (oz/ft)	[A]	(m) × 0,16 (kg/m) (ft) × 1,73 (oz/ft)				
[B]	(kg)[oz]	[B]	(m) × 0,33 (kg/m) (ft) × 3,55 (oz/ft)	[B]	(m) × 0,21 (kg/m) (ft) × 2,26 (oz/ft)	[B]	(m) × 0,14 (kg/m) (ft) × 1,51 (oz/ft)				

+ Taille de tube haute pression Longueur totale de ø15,88 mm [5/8 in]		+ Taille de tube de fluide Longueur totale de ø19,05 mm [3/4 in]		+ Taille de tube de fluide Longueur totale de ø15,88 mm [5/8 in]	
[A]	(m) × 0,11 (kg/m) (ft) × 1,19 (oz/ft)	[A]	(m) × 0,29 (kg/m) (ft) × 3,13 (oz/ft)	[A]	(m) × 0,2 (kg/m) (ft) × 2,16 (oz/ft)
[B]	(m) × 0,1 (kg/m) (ft) × 1,08 (oz/ft)	[B]	(m) × 0,26 (kg/m) (ft) × 2,81 (oz/ft)	[B]	(m) × 0,18 (kg/m) (ft) × 1,94 (oz/ft)

+ Taille de tube de fluide Longueur totale de ø12,7 mm [1/2 in]		+ Taille de tube de fluide Longueur totale de ø9,52 mm [3/8 in]		+ Taille de tube de fluide Longueur totale de ø6,35 mm [1/4 in]	
[A]	(m) × 0,12 (kg/m) (ft) × 1,30 (oz/ft)	[A]	(m) × 0,06 (kg/m) (ft) × 0,65 (oz/ft)	[A]	(m) × 0,024 (kg/m) (ft) × 0,26 (oz/ft)
[B]	(m) × 0,11 (kg/m) (ft) × 1,19 (oz/ft)	[B]	(m) × 0,054 (kg/m) (ft) × 0,59 (oz/ft)	[B]	(m) × 0,021 (kg/m) (ft) × 0,23 (oz/ft)

Charge supplémentaire		
Modèle d'unité de source de chaleur	Quantité chargée	
Unique	P550	1,0 kg [36 oz]
	P600	1,0 kg [36 oz]

Contrôleur BC principal et secondaire	Quantité (kg/appareil)
Type J	1,5
Type JA	3,0
Type KA	4,7
Type KB	0,4

Capacité totale des unités intérieures connectées	Quantité (qui doit être ajoutée pour les unités intérieures)
80 ou ci-dessous	2,0 kg [71 oz]
81 à 160	2,5 kg [89 oz]
161 à 330	3,0 kg [106 oz]
331 à 390	3,5 kg [124 oz]
391 à 480	4,5 kg [159 oz]
481 à 630	5,0 kg [177 oz]
631 à 710	6,0 kg [212 oz]
711 à 800	8,0 kg [283 oz]
801 à 890	9,0 kg [318 oz]
891 à 1070	10,0 kg [353 oz]
1071 à 1250	12,0 kg [424 oz]
1251 ou au-dessus	14,0 kg [494 oz]

* Pour le système Hybrid City Multi, la quantité de fluide frigorigène chargée dans les unités intérieures n'est pas indiquée.

- Longueur du tuyau à partir de l'unité extérieure jusqu'à l'unité intérieure la plus éloignée ≤ 30,5 m [100 ft]
- Lors de la connexion de CMB-P**-V-G1, CMB-P**-V-GA1, CMB-P**-V-HA1, CMB-P**-V-GB1 ou CMB-P**-V-HB1 à un système donné, ajoutez la quantité de réfrigérant comme indiqué dans le tableau ci-dessous.

Contrôleur BC	Quantité (kg/appareil)
Type G1/GA1	3,0
Type HA1	5,0
Type GB1/HB1	1,0

- Longueur du tuyau à partir de l'unité extérieure jusqu'à l'unité intérieure la plus éloignée > 30,5 m [100 ft]

* Lors de la connexion de CMB-P**-V-G1, CMB-P**-V-GA1, CMB-P**-V-HA1, CMB-P**-V-GB1 ou CMB-P**-V-HB1 à un système donné, ajoutez la quantité de réfrigérant comme indiqué dans le tableau ci-dessous.

Contrôleur BC	Quantité (kg/appareil)
Type G1/GA1	0
Type HA1	2,0
Type GB1/HB1	1,0

<Exemple>

Intérieur	1: 80	A: ø28,58 [1-1/8 in]	40 m [131 ft]	a: ø9,52 [3/8 in]	10 m [32 ft]	} Aux conditions ci-dessous :
	2: 250	B: ø9,52 [3/8 in]	10 m [32 ft]	b: ø9,52 [3/8 in]	5 m [16 ft]	
	3: 32	C: ø9,52 [3/8 in]	20 m [64 ft]	c: ø6,35 [1/4 in]	5 m [16 ft]	
	4: 40	D: ø9,52 [3/8 in]	5 m [16 ft]	d: ø6,35 [1/4 in]	10 m [32 ft]	
	5: 32	E: ø9,52 [3/8 in]	5 m [16 ft]	e: ø6,35 [1/4 in]	5 m [16 ft]	
	6: 63	F: ø22,2 [7/8 in]	3 m [9 ft]	f: ø9,52 [3/8 in]	5 m [16 ft]	
		G: ø19,05 [3/4 in]	1 m [3 ft]			

La longueur totale de chaque ligne de fluide est la suivante:

ø28,58 [1-1/8 in]: A = 40 m [131 ft]

ø22,2 [7/8 in]: F = 3 m [9 ft]

ø19,05 [3/4 in]: G = 1 m [3 ft]

ø9,52 [3/8 in]: C + D + E + a + b + f = 50 m [164 ft]

ø6,35 [1/4 in]: c + d + e = 20 m [64 ft]

Par conséquent, charge supplémentaire de frigorigène

$$= 40 \text{ m [131 ft]} \times 0,33 \text{ kg/m [3,55 oz/ft]} + 3 \text{ m [9 ft]} \times 0,21 \text{ kg/m [2,26 oz/ft]} + 1 \text{ [3 ft]} \times 0,14 \text{ kg/m [1,51 oz/ft]} + 50 \text{ m [164 ft]} \times 0,054 \text{ kg/m [0,59 oz/ft]} + 20 \text{ m [64 ft]} \times 0,021 \text{ kg/m [0,23 oz/ft]} + 3,0 \text{ kg [106 oz]} + 2,0 \text{ kg [71 oz]} + 5,0 \text{ kg [177 oz]} = 27,1 \text{ kg [956 oz]}$$

■ Restriction de la quantité de réfrigérant à charger

La quantité de charge maximale de réfrigérant est indiquée dans le tableau ci-après. Lorsque la quantité obtenue par la formule ci-dessus est supérieure aux valeurs indiquées ci-après, restructurez le système afin que la quantité de charge de réfrigérant soit inférieure à ces valeurs.

Pour PQHY-P-Y(S)LM-A1, PQHY-P-Y(S)LM-A2

Modèle de l'unité de source de chaleur	P200	P250	P300	P350	P400	P400S	P450	P450S	P500	P500S
Quantité maximale de réfrigérant*1 kg [oz]	21,0 [741]	28,0 [988]	29,5 [1041]	41,5 [1464]	50,0 [1764]	50,0 [1764]	51,5 [1817]	51,5 [1817]	53,5 [1888]	53,5 [1888]

Modèle de l'unité de source de chaleur	P550	P550S	P600	P600S	P700S	P750S	P800S	P850S	P900S
Quantité maximale de réfrigérant*1 kg [oz]	55,5 [1958]	54,5 [1923]	57,0 [2011]	55,5 [1958]	65,5 [2311]	67,5 [2381]	67,5 [2381]	70,0 [2470]	70,0 [2470]

Pour PQRY-P-Y(S)LM-A1, PQRY-P-Y(S)LM-A2

Modèle de l'unité de source de chaleur	P200	P250	P300	P350	P400	P400S	P450	P450S	P500	P500S
Quantité maximale de réfrigérant*1 kg [oz]	28,0 [988]	30,0 [1058]	31,0 [1093]	46,0 [1623]	47,0 [1658]	50,0 [1764]	47,0 [1658]	51,0 [1799]	48,0 [1693]	51,0 [1799]

Modèle de l'unité de source de chaleur	P550	P550S	P600	P600S	P700S	P750S	P800S	P850S	P900S
Quantité maximale de réfrigérant*1 kg [oz]	43,3 [1527]	52,0 [1834]	44,3 [1563]	54,0 [1905]	70,0 [2469]	70,0 [2469]	71,0 [2504]	73,0 [2575]	73,0 [2575]

*1 : Quantité de réfrigérant supplémentaire à charger sur site

10.2. Précautions concernant les connexions de la tuyauterie et le fonctionnement de la valve

• Les connexions de la tuyauterie et le fonctionnement de la valve doivent être exécutés soigneusement et avec précision.

• **Retirer le tube de connexion rétréci**

Une fois expédié, un tube de connexion rétréci est attaché sur site aux valves haute pression/liquide et basse pression/gaz pour empêcher la fuite de gaz.

Prenez les mesures suivantes ① à ④ pour retirer le tube de connexion rétréci avant de connecter les tubes de frigorigène à l'unité de source de chaleur.

- ① Vérifiez que la valve de frigorigène est complètement fermée (sens horaire).
- ② Branchez un tube de remplissage au port de service sur la valve basse pression/haute pression liquide/gaz, et extrayez le gaz dans la section de tuyauterie située entre la valve de frigorigène et le tube de connexion rétréci (couple de serrage de 12 N·m [120 kg·cm]).
- ③ Après avoir évacué le gaz du tube de connexion rétréci, coupez le tube de connexion rétréci à l'endroit indiqué sur la [Fig.10.2.1] et vidangez le frigorigène.
- ④ Après avoir terminé les étapes ② et ③, chauffez la section brasée pour enlever le tube de connexion rétréci.

[Fig. 10.2.1] (P.11)

- <A> Vanne de frigorigène (côté liquide/brasée pour série PQHY-P) (côté haute pression/brasée pour série PQRY-P)
- Vanne de frigorigène (côté gaz/brasée pour série PQHY-P) (côté basse pression/brasée pour série PQRY-P)
- Ⓐ Axe
- Ⓑ Port de service
- Ⓒ Capuchon
- Ⓓ Partie de découpe du tube de connexion rétréci
- Ⓔ Partie de brasage du tube de connexion rétréci

⚠ **Avertissement :**

• Les zones entre les valves de frigorigène et les tubes de connexion rétrécis sont remplies de gaz et d'huile frigorigène. Extrayez le gaz et l'huile frigorigène dans cette section avant de chauffer la section brasée.

- Si la section brasée est chauffée sans d'abord extraire le gaz et l'huile frigorigène, le tube peut éclater ou le tube de connexion rétréci peut exploser, enflammer l'huile frigorigène et causer des blessures sérieuses.

⚠ **Attention :**

- Placez une serviette humide sur la valve de frigorigène avant de chauffer la section brasée pour que la température de la valve ne dépasse pas 120°C [248°F].
- Dirigez la flamme à l'écart du câblage et des tôles à l'intérieur de l'unité pour empêcher les dommages causés par la chaleur.

⚠ **Attention :**

- **Connexion du tube de frigorigène**
Ce produit inclut les tubes de connexion pour la tuyauterie vers l'avant. (Reportez-vous à la [Fig.10.2.2])
Contrôlez les dimensions de la tuyauterie haute pression/basse pression avant de connecter le tube de frigorigène.
Reportez-vous au système de tuyauterie du frigorigène en 9.2 pour des dimensions de la tuyauterie.
Assurez-vous que le tube de frigorigène ne touche pas d'autres tubes de frigorigène, des panneaux de l'unité ou des plaques de base.
Utilisez un brasage non oxydant pour la connexion des tubes.
Ne brûlez pas le câblage et la plaque lors du brasage.

<Exemples de connexion de la tuyauterie du frigorigène>

[Fig.10.2.2] (P.11 - 12)

- ① Raccord coudé (D.I. 25,4 [1], D.E. 25,4 [1]) (gaz/basse pression) <Inclus avec l'unité de source de chaleur>
- ② Raccord coudé (D.I. 28,6 [1-1/8], D.E. 28,6 [1-1/8]) (gaz) <Inclus avec l'unité de source de chaleur>
- ③ Tube de connexion (D.I. 9,52 [3/8], D.E. 9,52 [3/8]) (fluide) <Inclus avec l'unité de source de chaleur>
- ④ Tube de connexion (D.I. 15,88 [5/8], D.E. 15,88 [5/8]) (fluide) <Inclus avec l'unité de source de chaleur>
- ⑤ Tube de connexion (D.I. 19,05 [3/4], D.E. 19,05 [3/4]) (haute pression) <Inclus avec l'unité de source de chaleur>
- ⑥ Tube de connexion (D.I. 28,6 [1-1/8], D.E. 28,6 [1-1/8]) (basse pression) <Inclus avec l'unité de source de chaleur>
- ⑦ Tube de connexion (D.I. 25,4 [1], D.E. 22,2 [7/8]) (haute pression) <Inclus avec l'unité de source de chaleur>
- ⑧ Embout conique (fluide/haute pression)
- ⑨ Embout conique (gaz/basse pression)
- ⑩ Matériel d'imperméabilisation pour embout conique (fluide)
- ⑪ Matériel d'imperméabilisation pour embout conique (gaz/basse pression)
- ⑫ Matériel d'imperméabilisation pour le tube fourni sur site (fluide/haute pression)
- ⑬ Matériel d'imperméabilisation pour le tube fourni sur site (gaz/basse pression)
- ⑭ Matériel d'imperméabilisation pour les pieds de la base
- ⑮ Matériel d'imperméabilisation pour les pieds de la base

- ⑯ Matériel d'imperméabilisation pour les panneaux à eau
- ⑰ Housse du tuyau (gaz/basse pression)
- ⑱ Matériel d'imperméabilisation pour douille de vidange
- <A> Routage du tube avant
- Série PQRY-P côté basse pression (Série PQHY-P côté gaz)
- <C> Série PQRY-P côté haute pression (Série PQHY-P côté liquide)
- A) Forme
- B) Sans tube de jumelage basse pression
- C) Avec un tube de jumelage basse pression (Série PQRY-P UNIQUEMENT) *1, *2
- D) Tuyau de valve de frigorigène
- E) Tuyauterie fournie sur site (tube de connexion basse pression)
- F) Tuyauterie fournie sur site (tube de connexion haute pression)
- G) Kit de jumelage (vendu séparément)
- H) Tuyauterie fournie sur site (tube de connexion basse pression : vers le contrôleur BC)
- I) Tuyauterie fournie sur site (tube de connexion basse pression : vers l'unité de source de chaleur)

- *1 Pour la fixation du tube de jumelage (vendu séparément), reportez-vous aux instructions fournies dans le kit.
- *2 Le tube de connexion n'est pas utilisé lorsque le kit de jumelage est fixé.

• **Routage du tube avant (pour la série PQHY-P)**

A	P200~P300 : Utilisez le tube ③ de connexion inclus pour faire le raccord.
	P350 : Utilisez le raccord de tuyau (fourni sur site) et le tube de connexion ④ inclus pour faire le raccord.
	P400~P600 : Utilisez le tube ④ de connexion inclus pour faire le raccord.
B	P200~P300 : Utilisez le joint de tuyau (fourni sur site) et le coude de connexion ① inclus pour effectuer le branchement.
	P350~P600 : Utilisez le coude de connexion ② inclus pour effectuer le branchement.

• **Routage du tube avant (pour la série PQRY-P)**

A	P200 : Utilisez le raccord de tuyau (fourni sur site) et le tube de connexion ⑤ inclus pour faire le raccord.
	P250, P300 : Utilisez le tube ⑤ de connexion inclus pour faire le raccord.
	P350~P600 : Utilisez le tube ⑦ de connexion inclus pour faire le raccord.
B	P200~P300 : Utilisez le joint de tuyau (fourni sur site) et le coude de connexion ① inclus pour effectuer le branchement.
	P350~P550 : Utilisez le tube ⑥ de connexion inclus pour faire le raccord.
	P600 : Utilisez le raccord de tuyau (fourni sur site) et le tube de connexion ⑥ inclus pour faire le raccord.

Respectez la profondeur d'insertion minimale dans le tableau ci-dessous lors de l'extension de la tuyauterie fournie sur site.

Diamètre de tube (mm [in])	Épaisseur d'insertion minimale (mm [in])
5 [7/32] ou plus, moins de 8 [11/32]	6 [1/4]
8 [11/32] ou plus, moins de 12 [1/2]	7 [9/32]
12 [1/2] ou plus, moins de 16 [21/32]	8 [11/32]
16 [21/32] ou plus, moins de 25 [1]	10 [13/32]
25 [1] ou plus, moins de 35 [1-13/32]	12 [1/2]
35 [1-13/32] ou plus, moins de 45 [1-25/32]	14 [9/16]

Méthode d'essai d'herméticité	Restriction
(1) Après obtention de la pression théorique (4,15 MPa [602 psi]) avec de l'azote, laissez le système au repos environ une journée. Si la pression ne chute pas, l'herméticité est bonne. Cependant, si la pression chute et que la zone de fuite est inconnue, le test de bulles suivant peut également être exécuté. (2) Après avoir effectué la pressurisation décrite ci-dessus, arrosez les pièces de connexion évasées, les pièces brasées et autres zones de fuite potentielles avec un agent de barbotage (Kyuboflex, etc.) et voyez si des bulles apparaissent. (3) Après le test d'herméticité, éliminez l'agent de barbotage.	<ul style="list-style-type: none"> • Si un gaz inflammable ou l'air (oxygène) est utilisé comme gaz de pressurisation, il peut s'enflammer ou exploser.

⚠ Attention :

Utilisez uniquement le frigorigène R410A.

- L'utilisation d'autres réfrigérants tels que le R22 ou le R407C, qui contiennent du chlore, détériore l'huile réfrigérante ou provoque une dysfonction du compresseur.

② **Évacuation**

Évacuez avec la valve de l'unité de source de chaleur fermée et évacuez en même temps la tuyauterie de connexion et l'unité intérieure depuis le port de service fourni sur la valve de l'unité de source de chaleur à l'aide d'une pompe à vide. (Évacuez toujours depuis le port de service des tubes haute pression/gaz et basse pression/liquide.) Après que le vide ait atteint 650 Pa [abs] [0,0943 psi/5 Torr], évacuez pendant au moins une heure. Arrêtez ensuite la pompe à vide et laissez-la pendant une heure. Vérifiez que le

- Après évacuation et chargement de frigorigène, assurez-vous que la poignée est complètement ouverte. Si la valve reste fermée, le côté haute ou basse pression du circuit frigorifique peut dysfonctionner suite à une pression anormale, et ainsi endommager le compresseur, la valve à quatre voies, etc.
- Déterminez le volume de charge supplémentaire de frigorigène en utilisant la formule, et chargez le frigorigène par le port de service après raccordement de la tuyauterie.
- Serrez le port de service et le capuchon afin de prévenir toute fuite de gaz. (Référez-vous au tableau ci-dessous pour le couple de serrage approprié.)

Couple de serrage approprié :

Taille du tuyau (mm [in])	Capuchon d'arbre (N·m)	Capuchon du port de service (N·m)
ø9,52 [ø3/8]	15	12
ø15,88 [ø5/8]	32,5	
ø19,05 [ø3/4]	25	
ø25,4 [ø1]	25	16
ø28,58 [ø1-1/8]	22	

⚠ Attention :

- Maintenez la valve fermée jusqu'à la fin du chargement de frigorigène. L'ouverture de la valve avant de charger le frigorigène peut endommager l'unité.
- N'utilisez pas d'additif de détection de fuite.

10.3. Test d'herméticité, évacuation et chargement de frigorigène

① **Test d'herméticité**

Exécutez avec la valve de l'unité de source de chaleur fermée (chargement du frigorigène) et pressurisez la tuyauterie de connexion et l'unité intérieure depuis le port de service fourni sur la valve de l'unité de source de chaleur. (Pressurisez toujours depuis les ports de service des tubes haute pression/gaz et basse pression/liquide.)

[Fig. 10.3.1] (P.13)

- | | | |
|--------------------------------|----------------------------|-------------------------------|
| A) Azote | B) À l'unité intérieure | C) Manomètre de pression |
| D) Bouton bas | E) Bouton haut | F) Valve |
| G) Tube basse pression/liquide | H) Tube haute pression/gaz | I) Unité de source de chaleur |
| J) Port de service | | |

Observez les restrictions suivantes en effectuant le test d'étanchéité à l'air pour empêcher les effets négatifs sur l'huile réfrigérante. En outre, avec le réfrigérant non azéotropique (R410A), une fuite de gaz fait changer la composition et affecte la performance. Réalisez, par conséquent, l'essai d'herméticité avec précaution.

degré de vide n'a pas augmenté. (Si le degré d'augmentation du vide est supérieur à 130 Pa [0,01886 psi/1,0 Torr], de l'eau peut être présente. Appliquez une pression d'azote sec jusqu'à 0,05 MPa [7,25 psi] et appliquez de nouveau le vide. Répétez le processus d'évacuation trois fois minimum jusqu'à ce que la pression à vide soit réduite de 130 Pa maximum.) Pour finir, scellez avec le frigorigène liquide à travers le tube haute pression/gaz et ajustez la tuyauterie basse pression/liquide pour obtenir une quantité appropriée de frigorigène pendant le fonctionnement.

* N'exécutez jamais de purge d'air avec le frigorigène.

[Fig. 10.3.2] (P.13)

- (A) Manomètre de pression
- (B) Bouton bas
- (C) Bouton haut
- (D) Valve (unité de source de chaleur)
- (E) Tube basse pression/ liquide
- (F) Tube haute pression/ gaz
- (G) Port de service
- (H) Joint à trois voies
- (I) Valve (pompe à vide)
- (J) Valve (pour charger le réfrigérant)
- (K) Cylindre de R410A
- (L) Échelle
- (M) Pompe à vide
- (N) À l'unité intérieure
- (O) Unité de source de chaleur

Remarque :

- Ajoutez toujours la quantité appropriée de frigorigène. En outre, chargez toujours le système avec du frigorigène liquide.
- Utilisez un manomètre de pression, un tuyau flexible de charge, et d'autres pièces pour le frigorigène indiqué sur l'unité.
- Utilisez un gravimètre. (Un modèle qui peut mesurer jusqu'à 0,1 kg [302 oz].)
- Utilisez une pompe à vide avec clapet anti-retour de flux inverse. (Manomètre à vide recommandé : manomètre à vide Thermistor ROBINAIR 14830A ou manomètre Micron)
N'utilisez pas un manomètre de collecteur pour mesurer la pression à vide.

Utilisez en outre un manomètre à vide qui atteint 65 Pa [abs] [0,00943 psi/0,5 Torr] ou en dessous après avoir fonctionné pendant cinq minutes.

<Triple évacuation>

- Évacuez le système de 4 000 microns par les deux valves de service. Les ensembles de jauge du système ne doivent pas être utilisés pour mesurer le vide. Une jauge micron doit être utilisée en permanence.
 - Cassez le vide avec de l'azote (N2) dans la valve de service de décharge jusqu'à 0 PSIG.
- Évacuez le système de 1 500 microns par la valve d'aspiration.
 - Cassez le vide avec de l'azote (N2) dans la valve de service de décharge jusqu'à 0 PSIG.
- Évacuez le système de 500 microns. Le système doit maintenir le vide à 500 microns pendant au moins 1 heure.
- Exécutez un test d'échauffement pendant au moins 30 minutes.

③ Chargement du frigorigène

Utilisez uniquement un réfrigérant de type indiqué dans les manuels fournis avec l'unité et sur la plaque signalétique.

- Faute de quoi, l'unité ou la tuyauterie pourrait éclater, ou cela pourrait provoquer une explosion ou un incendie pendant l'utilisation, la réparation ou la mise au rebut de l'unité.
- Cela pourrait également constituer une violation des lois applicables.
- MITSUBISHI ELECTRIC CORPORATION ne peut être tenue responsable de tout dysfonctionnement ou accident résultant de l'utilisation du mauvais type de réfrigérant.

Parce que le réfrigérant utilisé avec l'unité est non azéotropique, il doit être chargé à l'état liquide. En conséquence, en chargeant le frigorigène à partir d'un cylindre, si ce cylindre n'a pas de tube siphon, chargez le frigorigène liquide en tournant le cylindre à l'envers tel qu'illustré sur la Fig.10.3.3. Si le cylindre a un tube siphon comme illustré sur l'image de droite tel qu'illustré sur la Fig.10.3.3, le frigorigène liquide peut être chargé avec le cylindre debout. Suivez soigneusement les spécifications du cylindre. Si l'unité est chargée de gaz frigorigène accidentellement, remplacez tout le frigorigène avec un nouveau frigorigène. N'utilisez pas le frigorigène restant dans le cylindre.

[Fig. 10.3.3] (P.13)

- (A) Tuyau siphon
- (B) Si le cylindre de R410A n'a pas de siphon.

10.4. Isolation thermique de la tuyauterie du frigorigène

Ajoutez l'isolation à la tuyauterie du frigorigène en couvrant les tubes haute pression/liquide et basse pression/gaz séparément avec une épaisseur suffisante de polyéthylène résistant à la chaleur, de sorte de ne pas avoir d'espace non isolé dans le joint entre l'appareil intérieur et le matériel isolant, et entre les matériaux isolants eux-mêmes. Quand l'isolation est insuffisante, il peut y avoir condensation, etc. Faites particulièrement attention à l'isolation dans le plénum du plafond.

[Fig. 10.4.1] (P.13)

- (A) Fil d'acier
- (B) Tuyau
- (C) Mastic huileux ou asphalte
- (D) Matériel d'isolation A
- (E) Couverture externe B

Matériel A d'isolation thermique	Fibre de verre + fil d'acier	
	Adhésif + mousse de polyéthylène anti-calorique + ruban adhésif	
Couverture externe B	Intérieur	Bande de vinyle
	Sol exposé	Chanvre étanche + asphalte bronze
	Extérieur	Chanvre étanche + plaque de zinc + peinture huileuse

Remarque :

- Quand vous utilisez du polyéthylène comme isolant, l'asphalte n'est pas requis.

• Aucune isolation requise pour les fils électriques.

[Fig. 10.4.2] (P.13)

- (A) Tuyau haute pression ou tuyau de liquide
- (B) Tuyau basse pression ou tuyau de gaz
- (C) Fil électrique
- (D) Bande de finition
- (E) Matériau d'isolation

[Fig. 10.4.3] (P.13)

Pénétrations

[Fig. 10.4.4] (P.13)

- <A> Mur intérieur (caché)
- Mur extérieur
- <C> Mur extérieur (exposé)
- <D> Sol (imperméable)
- <E> Arbre tubulaire sur toiture
- <F> Protéger les parties pénétrantes dans une zone de sécurité incendie ou dans une paroi de séparation
- (A) Manchon
- (B) Matériau d'isolation
- (C) Calorifuge
- (D) Matériau de calfeutrage
- (E) Bande
- (F) Couche d'imperméabilisation
- (G) Manchon avec une bride
- (H) Calfeutrez avec un matériau ininflammable tel que du mortier.
- (I) Matériau d'isolation ininflammable

- Lors du calfeutrage des interstices avec du mortier, couvrez la section du tuyau qui passe dans le mur avec une tôle pour empêcher le matériau d'isolation de s'affaisser. Dans cette section, utilisez des matériaux d'isolation et de couverture ininflammables. (Ne pas utiliser de ruban en vinyle.)
- Isolation pour les tubes devant être ajoutés sur le site doivent satisfaire les caractéristiques suivantes :

Unité de source de chaleur -Contrôleur BC pour la série PQRY-P	Tube haute pression	Mini 10 mm [7/16 in]
	Tube basse pression	Mini 20 mm [13/16 in]
Contrôleur BC -unité intérieure pour la série PQRY-P	Taille du tube de 6,35 à 25,4 mm [1/4 à 1 in]	Mini 10 mm [7/16 in]
	Taille du tube de 28,58 mm ou au-dessus [1-1/8 in ou au-dessus]	Mini 15 mm [5/8 in]
Unité de source de chaleur -unité intérieure pour la série PQHY-P	Taille du tube de 6,35 à 25,4 mm [1/4 à 1 in]	Mini 10 mm [7/16 in]
	Taille du tube de 28,58 mm ou au-dessus [1-1/8 in ou au-dessus]	Mini 15 mm [5/8 in]
Résistance à la température	100°C [212°F] min.	

- * Si les tubes sont situés dans un environnement à haute température et haute humidité, tel que l'étage supérieur d'un bâtiment, une isolation plus épaisse que celle spécifiée dans le diagramme ci-dessus peut être requise.
- * Quand le client présente certaines caractéristiques, assurez-vous qu'elles répondent également aux caractéristiques du diagramme ci-dessus.

10.5. Installation de l'embout conique

Lors de l'isolation, veillez à installer l'embout conique et le matériel d'imperméabilisation fournis.

- * Lorsque vous utilisez les séries PQRY-P, installez-les uniquement dans le tuyau à basse pression.
- * Lorsque vous utilisez les séries PQHY-P, installez-les à la fois dans le tuyau à liquide et dans celui pour le gaz. Utilisez les embouts coniques et le matériel d'imperméabilisation adaptés à chaque tuyau.

[Fig. 10.5] (P.14)

- (A) Placez le bord du papier fourni avec la marque au bord de la housse du tuyau. Puis, enroulez le matériel d'imperméabilisation dans le tuyau, en utilisant la marque sur le papier pour l'aligner correctement.
- (B) Étendez l'isolation fournie par l'installateur jusqu'à l'extrémité du matériel d'imperméabilisation décrit à l'étape A.
- (C) Installez l'embout conique sur la face frontale de l'isolation.
- (D) Marque
- (E) Installez le matériel d'imperméabilité de sorte que les bords du matériel se touchent au sommet.
- (F) Dans l'unité
- (G) Housse du tuyau
- (H) La couture de l'isolation devrait être en haut.
- (I) Matériel d'imperméabilisation pour embout conique
- (J) Installez l'embout conique de sorte que la fente de celui-ci soit en haut.
- (K) Embout conique
- (L) Matériel d'imperméabilisation pour le tube fourni sur site

10.6. Installation du matériel d'imperméabilisation pour les pieds de la base

[Fig. 10.6] (P.14)

PQHY-P-Y(S)LM-A1, PQRY-P-Y(S)LM-A1 uniquement

- (A) Vue élargie
- (B) Processus de fixation du matériel isolant
- (C) Processus 1 : Fixer le matériel isolant (pour la jambe de base) 1.

- Ⓓ Processus 2 : Fixer le matériau isolant (pour la jambe de base) 2.
- Ⓔ Processus 3 : Fixer le matériau isolant (pour le panneau d'eau). (uniquement le front droit)
- Ⓕ Ensemble panneau W
- Ⓖ Uniquement des matériaux isolants (pour la jambe de base) 1, 2
- Ⓗ Matériaux isolants (pour jambe de base) 1, 2 et matériau isolant (pour le panneau d'eau)
- Ⓘ Matériau isolant (pour la jambe de base) 1
- Ⓝ Matériau isolant (pour la jambe de base) 2
- Ⓚ Matériau isolant (pour le panneau d'eau) (uniquement le front droit)
- Ⓛ Placer le matériau isolant vers l'intérieur.
- Ⓜ Faites correspondre avec la face frontale.

11. Câblage (pour les détails, reportez-vous au manuel d'installation de chaque unité et du contrôleur)

11.1. Mises en garde

- ① Observez les règlements de votre organisation gouvernementale pour les normes techniques relatives aux équipements électriques, câblages et directives de chaque compagnie d'électricité.
- ② Le câblage des commandes (désigné ci-après sous le nom de ligne de transmission) doit être de 5 cm [2 in] ou plus séparé du câblage d'alimentation de sorte qu'il ne soit pas affecté par le bruit électrique du câblage d'alimentation (ne pas insérer une ligne de transmission et un câble d'alimentation dans le même conduit).
- ③ Mettez l'unité de source de chaleur à la terre comme indiqué.
- ④ Prévoyez une longueur de câble suffisante pour les câbles du boîtier de commande électrique des unités intérieures et des unités de source de chaleur car ces boîtiers doivent pouvoir être retirés lors de travaux d'entretien.

- ⑤ Ne connectez jamais la source principale d'alimentation au bloc de jonction de la ligne de transmission. En cas de connexion, les éléments électriques seront endommagés.
- ⑥ Utilisez un câble blindé à deux âmes pour la ligne de transmission. Si les lignes de transmission de différents systèmes sont câblées avec le même câble à âmes multiples, la mauvaise transmission et réception qui en découle provoquera un mauvais fonctionnement des appareils.
- ⑦ Seule la ligne de transmission indiquée doit être raccordée au bloc de jonction pour la transmission de l'unité de source de chaleur.
- ⑧ En cas de connexion avec un contrôleur système ou pour une exploitation de groupe de plusieurs systèmes frigorifiques, il est nécessaire de connecter une ligne de transmission entre les unités de source de chaleur. Raccordez cette ligne entre les blocs de jonction pour une commande centralisée (ligne bifilaire non polarisée).
- ⑨ Utilisez la télécommande pour configurer les groupes.

11.2. Boîtier de commande et emplacement pour le raccordement des câbles

① Unité de source de chaleur

1. Retirez le panneau avant de l'unité de source de chaleur en retirant les vis et en le poussant vers le haut avant de le sortir.
2. Connectez la ligne de transmission intérieur – extérieur au bloc de jonction (TB3). Si plusieurs unités de source de chaleur sont connectées au sein du même système frigorifique, connectez en série TB3 (borne M1, M2, \rightarrow) sur les unités de source de chaleur. Connectez la ligne de transmission intérieur-extérieur pour les unités de source de chaleur à TB3 (borne M1, M2, \rightarrow) de seulement l'une des unités de source de chaleur.

3. Connectez les lignes de transmission pour la commande centralisée (entre le système de commande centralisée et l'unité de source de chaleur de différents systèmes frigorifiques) au bloc de jonction de la commande centralisée (TB7). Si plusieurs unités de source de chaleur sont connectées au même système frigorifique, connectez en série TB7 (borne M1, M2, S) sur les unités de source de chaleur. (*1)

*1 : Si TB7 sur l'unité de source de chaleur au sein du même système frigorifique n'est pas connecté en série, connectez la ligne de transmission pour la commande centralisée à TB7 sur l'OC (*2). Si l'OC est en panne, ou si la commande centralisée est exploitée pendant l'interruption d'alimentation, connectez en série le TB7 sur l'OC et l'OS (au cas où l'unité de source de chaleur dont le connecteur d'alimentation CN41 sur le panneau de commande a été remplacé par un CN40 est en panne ou l'alimentation est coupée, la commande centralisée n'est pas exploitable, même lorsque le TB7 est connecté en série).

*2 : OC et OS des unités de source de chaleur dans le même système frigorifique sont automatiquement identifiés. Ils sont identifiés comme OC et OS dans l'ordre décroissant de capacité (si la capacité est identique, ils sont classés dans l'ordre ascendant de leur numéro d'adresse).

4. Pour la ligne de transmission intérieur-extérieur, connectez le câble blindé de terre à la borne de terre (\rightarrow). Dans le cas de la ligne de transmission pour la commande centralisée, connectez-la à la borne blindée (S) sur le bloc de jonction (TB7). En outre, dans le cas des unités de source de chaleur dont le connecteur d'alimentation CN41 a été remplacé par un CN40, court-circuitez la borne blindée (S) et la borne de terre (\rightarrow) en plus de ce qui précède.
5. Fixez solidement les fils connectés à l'aide de la sangle de câble en bas du bloc de jonction. La force externe appliquée au bloc de jonction peut l'endommager et provoquer un court-circuit, un défaut de mise à la terre ou un incendie.

⚠ Attention :

Serrez les vis de borne au couple spécifié.

- Un mauvais contact de fil causé par des vis desserrées peut provoquer une surchauffe et, ce faisant, un incendie.
- L'utilisation de l'unité avec une carte endommagée peut provoquer une surchauffe et, ce faisant, un incendie.

Remarque :

- **Serrez les vis de borne au couple spécifié. (*1)**

*1 : Bloc de jonction (TB1 (vis M6)) : 2,75 [N·m]

Bloc de jonction (TB3, TB7 (vis M3.5)) : 0,82 [N·m]

- Assurez-vous que les rondelles à ressort sont parallèles au bloc de jonction.
- Assurez-vous que les rondelles à ressort sont correctement serrées aux vis de borne.
- Vissez les vis directement vers le bas, et faites attention de ne pas endommager les têtes de vis.
- Installez les cosses à anneau dos à dos pour pouvoir visser les vis directement vers le bas.
- Faites une marque d'alignement avec un marqueur indélébile sur toute la tête de vis, la rondelle, et la borne après avoir serré les vis.

[Fig. 11.2.1] (P.15)

- Ⓐ Source d'alimentation
- Ⓑ Ligne de transmission
- Ⓒ Borne de terre

[Fig. 11.2.2] (P.15)

- Ⓐ Bloc de jonction ayant des vis desserrées
- Ⓑ Bloc de jonction correctement installé
- Ⓒ Les rondelles à ressort doivent être parallèles au bloc de jonction.

[Fig. 11.2.3] (P.15)

- Ⓐ Câbles d'alimentation, lignes de transmission
- Ⓑ Connectez en série (lignes de transmission uniquement)
- Ⓒ Blocs de jonction (TB1, TB3, TB7)
- Ⓓ Faites une marque d'alignement.
- Ⓔ Installez les cosses à anneau dos à dos.

[Fig. 11.2.4] (P.15)

- Ⓐ Sangle pour câble
- Ⓑ Câble de la source d'alimentation
- Ⓒ Borne de terre pour le raccordement à la terre

② Installation des conduits

- Martelez les orifices à dégager pour le conduit situé sur la base et la partie inférieure du panneau avant.
- Quand vous installez le conduit directement à travers l'orifice à dégager, retirez les ébarbures et protégez le tube à l'aide de bande-cache.
- Utilisez le conduit pour rétrécir l'orifice s'il est possible que des petits animaux pénètrent dans l'unité.

11.3. Raccordement des câbles de transmission

① Types de câbles de commande

1. Raccordement des câbles de transmission
 - Types de câbles de transmission : Fil blindé CVVS, CPEVS ou MVVS
 - Diamètre de câble : 1,25 mm² [AWG16] ou ϕ 1,2 mm ou au-dessus
 - Longueur maximale de câblage : pas plus de 200 m [656 ft]
 - Longueur maximale des lignes de transmission pour la commande centralisée et lignes de transmission intérieur/source de chaleur : 500 m [1640 ft] maximum

La longueur maximale du câblage entre le bloc d'alimentation pour des lignes de transmission (commande centralisée) et chaque unité de source de chaleur et contrôleur de système est de 200 m [656 ft].

2. Câbles de la télécommande

• Télécommande ME

Type	Câble blindé 2 conducteurs CVVS, CPEVS ou MVVS
Taille	0,3 à 1,25 mm ² (AWG 22 à 16) ^{*1*} ⁴
Longueur	Voir <Longueurs maximales>.

• Télécommande MA

Type	Câble à 2 conducteurs VCTF, VCTFK, CVV, VVR, VVF ou VCT
Taille	0,3 à 1,25 mm ² (AWG 22 à 16) ^{*1*} ³
Longueur	Maxi 200 m (656 ft) ²

*1 L'utilisation de câbles inférieurs à 0,75 mm² (AWG 18) est recommandée pour faciliter la manipulation.

*2 Max. 70 m (229 ft) pour la série PAR-CT01MA

*3 Pour le câblage des séries PAR-CT01MA, PAR-4"x"MA, PAR-3"x"MA ("x" représente 0 ou plus) ou de la télécommande MA simple, utilisez un câble d'une taille de 0,3 mm² (AWG 22).

*4 Lors du raccordement au bornier de la télécommande simple, utilisez un câble d'une taille de 0,75 à 1,25 mm² (AWG18 à 16).

② Exemples de câblage

- Nom du contrôleur, symbole et nombre maximal possible de contrôleurs.

Nom		Code	Connexions d'appareils possibles
Unité de source de chaleur	Unité principale	OC	– (*2)
	Unité secondaire	OS	– (*2)
Contrôleur BC	Unité principale	BC	1 contrôleur pour 1 OC (0 en présence d'un HB)
	Unité secondaire	BS	0, 1 ou 2 contrôleurs pour 1 OC
Contrôleur HBC	Unité principale	HB	1 ou 2 unités pour 1 OC (0 en présence d'un BC)
	Unité secondaire	HS	0 ou 1 unité pour 1 HB
Appareil intérieur	Contrôleur de l'appareil intérieur	IC	1 à 50 appareils pour 1 OC (*1)
Télécommande	Télécommande (*1)	RC	2 appareils maximum par groupe
Autre	Module élévateur du niveau des signaux de transmission	RP	0 à 2 appareils pour 1 OC (*1)

*1 En fonction du nombre de contrôleurs d'appareils intérieurs raccordés, un module élévateur du niveau des signaux de transmission (RP) peut s'avérer nécessaire.

*2 OC et OS des unités de source de chaleur dans le même système frigorifique sont automatiquement identifiées. Ils sont identifiés comme OC et OS dans l'ordre décroissant de capacité. (Si la capacité est identique, ils sont classés dans l'ordre ascendant de leur numéro d'adresse.)

Exemple de système d'exploitation avec plusieurs unités de source de chaleur (il est nécessaire d'utiliser des câbles blindés et de définir les adresses).

<Exemples de câblage de transmission>

[Fig. 11.3.1] [Fig. 11.3.3] [Fig. 11.3.4] [Fig. 11.3.6] Télécommande ME (P.16 - 18)

[Fig. 11.3.2] [Fig. 11.3.5] Télécommande MA (P.16, 18)

<A> Déplacez le cavalier de CN41 à CN40 *1

 SW5-1 : ON (marche) *2

<C> Laissez le cavalier sur CN41

(A) Câble blindé (B) Télécommande principale (C) Télécommande secondaire (D) Contrôleur de système () Adresse

Pour [Fig. 11.3.1] [Fig. 11.3.2] [Fig. 11.3.4] [Fig. 11.3.5]

*1: Quand l'alimentation n'est pas connectée à la ligne de transmission pour la commande centralisée, débranchez le connecteur de l'alimentation (CN41) sur UNE unité de source de chaleur du système et connectez-le à CN40.

*2: Si un contrôleur de système est utilisé, réglez SW5-1 sur toutes les unités de source de chaleur sur ON (marche).

[Fig. 11.3.3] [Fig. 11.3.6] Combinaison d'unités de source de chaleur et de module élévateur du niveau des signaux de transmission (P.17, 18)

(A) Terre (B) Vers un autre système frigorifique

• () Adresse

• Connectez en série les bornes (TB3) des unités de source de chaleur dans le même système frigorifique.

• Laissez tel quel le cavalier sur la borne CN41. Lors de la connexion d'un contrôleur de système à la ligne de transmission (TB7) pour la commande centralisée, reportez-vous à la [Fig. 11.3.1], [Fig. 11.3.2] ou [Fig. 11.3.4], [Fig. 11.3.5] ou au Livre de données.

<Méthode de câblage et définition des adresses>

- Utilisez toujours des câbles blindés lors de la connexion de l'unité de source de chaleur (OC) et de l'appareil intérieur (IC), ainsi que pour les intervalles de câblage OC-OC, OC-OS, et IC-IC.
- Utilisez des câbles d'alimentation pour raccorder les terminaux M1 et M2 et la borne de terre ↗ du câble de transmission du bloc terminal (TB3) de chaque unité de source de chaleur (OC) aux bornes M1, M2 et S des câbles de transmission du bloc de l'appareil intérieur (IC). Pour OC et OS, connectez TB3 à TB3.
- Raccordez les bornes 1 (M1) et 2 (M2) du bloc terminal des câbles de transmission de l'appareil intérieur (IC) qui possède l'adresse la plus récente au sein d'un même groupe au bloc terminal de la télécommande (RC).
- Connectez ensemble les bornes M1, M2 et S du bloc terminal pour la commande centrale (TB7) de l'unité de source de chaleur (OC) dans un système frigorifique différent. Pour OC et OS dans le même système frigorifique, connectez TB7 à TB7.
- Quand l'alimentation n'est pas installée sur la ligne de transmission de la commande centrale, changez le cavalier sur le panneau de commandes de CN41 à CN40 sur une seule unité de source de chaleur du système.
- Sur l'unité de source de chaleur (OC) dans lequel le cavalier est inséré dans la borne CN40 (voir le point e ci-dessus), raccordez la borne S du bloc terminal pour la commande centrale (TB7) à la borne de terre ↗ du boîtier des composants électriques.
- Réglez le commutateur d'adresses comme indiqué ci-dessous.

* Pour régler l'adresse de l'unité de source de chaleur sur 100, le commutateur d'adresse extérieure doit se trouver sur 50.

Appareil	Plage	Méthode de réglage
Appareil intérieur (Principal)	01 à 50	Utilisez l'adresse la plus récente au sein du même groupe d'appareils intérieurs. Avec un système R2 avec contrôleurs BC secondaires, réglez l'adresse de l'unité extérieure dans l'ordre suivant : ① Unités intérieures reliées au contrôleur BC principal ② Unités intérieures reliées au contrôleur BC secondaire 1 ③ Unités intérieures reliées au contrôleur BC secondaire 2 Réglez les adresses des unités intérieures de sorte que toutes les adresses de ① soient plus petites que les adresses de ② et que les adresses de ② soient plus petites que les adresses de ③.
Appareil intérieur (Secondaire)	01 à 50	Utilisez une adresse, autre que celle de l'IC principal, parmi les unités d'un même groupe d'appareils intérieurs. Celle-ci doit se trouver en séquence avec l'IC principal
Unité de source de chaleur (OC, OS)	51 à 100	Réglez les adresses des unités de source de chaleur du même système frigorifique dans l'ordre séquentiel des numéros. OC et OS sont automatiquement identifiés. (*1)
Contrôleur BC (principal)	51 à 100	Adresse d'unité de source de chaleur plus 1. Lorsque l'adresse d'appareil intérieur réglée duplique l'adresse d'un autre appareil intérieur, réglez la nouvelle adresse sur une adresse libre dans la plage de réglage.
Contrôleur BC (secondaire)	51 à 100	Adresse la plus basse des appareils intérieurs connectés au contrôleur BC (secondaire) plus 50
ME R/C (principal)	101 à 150	Réglez sur une adresse IC (principale) au sein du même groupe plus 100
ME R/C (secondaire)	151 à 200	Réglez sur une adresse IC (principale) au sein du même groupe plus 150
MA R/C	-	Définition inutile d'adresse (définition principale/secondaire nécessaire)

- h. L'opération de réglage groupé pour des appareils intérieurs multiples s'effectue par le biais de la télécommande (RC) après la mise sous tension.
i. Quand la télécommande centralisée est connectée au système, réglez les commutateurs de commande centralisée (SW5-1) sur les panneaux de commandes de toutes les unités de source de chaleur (OC et OS) sur "ON" (marche).

*1 OC et OS des unités de source de chaleur dans le même système frigorifique sont automatiquement identifiés. Ils sont identifiés comme OC et OS dans l'ordre décroissant de capacité (si la capacité est identique, ils sont classés dans l'ordre ascendant de leur numéro d'adresse).

<Longueurs maximales>

① **Télécommande ME [Fig. 11.3.1] [Fig. 11.3.4] (P.16, 17)**

- Longueur maxi via les unités de source de chaleur (câble M-NET) : $L_1+L_2+L_3+L_4$ et $L_1+L_2+L_5 \leq 500$ m [1 640 ft] (1,25 mm² [AWG 16] ou $\varnothing 1,2$ mm ou au-dessus)
- Longueur maxi du câble de transmission (câble M-NET) : L_1 et L_3+L_4 et $L_2+L_5 \leq 200$ m [656 ft] (1,25 mm² [AWG 16] ou $\varnothing 1,2$ mm ou au-dessus)
- Longueur du câble de télécommande : $\ell_1, \ell_2, \ell_3, \ell_4 \leq 10$ m [32 ft] (0,3 à 1,25 mm² [AWG 22 à 16])
* Si la longueur dépasse 10 m [32 ft], la longueur dépassant 10 m [32 ft] doit être incluse dans la longueur admissible maximale des câbles de transmission ci-dessus.

② **Télécommande MA [Fig. 11.3.2] [Fig. 11.3.5] (P.16, 18)**

- Longueur maxi via les unités de source de chaleur (câble M-NET) : $L_1+L_2+L_3+L_4$ et $L_1+L_2+L_5 \leq 500$ m [1 640 ft] (1,25 mm² [AWG 16] ou $\varnothing 1,2$ mm ou au-dessus)
- Longueur maxi du câble de transmission (câble M-NET) : L_1 et L_3+L_4 et $L_2+L_5 \leq 200$ m [656 ft] (1,25 mm² [AWG 16] ou $\varnothing 1,2$ mm ou au-dessus)
- Longueur du câble de télécommande : m_1+m_2 et $m_1+m_2+m_3+m_4 \leq 200$ m [656 ft] (0,3 à 1,25 mm² [AWG 22 à 16])

③ **Élévateur du niveau des signaux de transmission [Fig. 11.3.3] [Fig. 11.3.6] (P.17, 18)**

- Longueur maxi du câble de transmission (câble M-NET) : Pour PQHY
 $L_1 + L_2 + L_3 + L_4 + L_5 \leq 200$ m [656 ft] (1,25 mm² [AWG 16] ou $\varnothing 1,2$ mm ou au-dessus)
Pour PQR Y
 $L_1 + L_2 + L_3 + L_4 + L_5 + L_6 \leq 200$ m [656 ft] (1,25 mm² [AWG 16] ou $\varnothing 1,2$ mm ou au-dessus)
- Longueur du câble de télécommande : $\ell_1, \ell_2 \leq 10$ m [32 ft] (0,3 à 1,25 mm² [AWG 22 à 16])
* Si la longueur dépasse 10 m [32 ft], la longueur dépassant 10 m [32 ft] doit être incluse dans la longueur admissible maximale des câbles de transmission ci-dessus.

11.4. Câblage de l'alimentation principale et capacité des équipements

Schéma du câblage (exemple)

[Fig. 11.4.1] (P.18)

- (A) Commutateur (Disjoncteur et interrupteur différentiel) (B) Interrupteur différentiel (C) Unité de source de chaleur
 (D) Boîtier de traction (E) Appareil intérieur
 (F) Contrôleur BC/Contrôleur HBC (principal) (pour la série PQR Y-P)
 (F') Contrôleur BC (secondaire)/Contrôleur HBC (secondaire) (pour la série PQR Y-P)
 (G) Terre

Épaisseur de câble pour l'alimentation principale, capacités du commutateur et impédance du système

Modèle	Dimensions minimales (mm ² [AWG])			Interrupteur différentiel	Interrupteur local (A)		Disjoncteur (NFB) (A)	
	Câble d'alimentation	Câble d'alimentation après le point de branchement	Fil de terre		Capacité	Fusible		
PQHY	P200YLM	4,0 [12]	-	4,0 [12]	30 A 100 mA 0,1 sec. ou moins	25	25	30
	P250YLM	4,0 [12]	-	4,0 [12]	30 A 100 mA 0,1 sec. ou moins	25	25	30
	P300YLM	4,0 [12]	-	4,0 [12]	30 A 100 mA 0,1 sec. ou moins	25	25	30
	P350YLM	4,0 [12]	-	4,0 [12]	30 A 100 mA 0,1 sec. ou moins	25	25	30
	P400YLM	4,0 [12]	-	4,0 [12]	30 A 100 mA 0,1 sec. ou moins	32	32	30
	P450YLM	6,0 [10]	-	6,0 [10]	40 A 100 mA 0,1 sec. ou moins	40	40	40
	P500YLM	6,0 [10]	-	6,0 [10]	40 A 100 mA 0,1 sec. ou moins	40	40	40
	P550YLM	10,0 [8]	-	10,0 [8]	60 A 100 mA 0,1 sec. ou moins	63	63	60
	P600YLM	10,0 [8]	-	10,0 [8]	60 A 100 mA 0,1 sec. ou moins	63	63	60
PQR Y	P200YLM	4,0 [12]	-	4,0 [12]	30 A 100 mA 0,1 sec. ou moins	25	25	30
	P250YLM	4,0 [12]	-	4,0 [12]	30 A 100 mA 0,1 sec. ou moins	25	25	30
	P300YLM	4,0 [12]	-	4,0 [12]	30 A 100 mA 0,1 sec. ou moins	25	25	30
	P350YLM	4,0 [12]	-	4,0 [12]	30 A 100 mA 0,1 sec. ou moins	25	25	30
	P400YLM	4,0 [12]	-	4,0 [12]	30 A 100 mA 0,1 sec. ou moins	32	32	30
	P450YLM	6,0 [10]	-	6,0 [10]	40 A 100 mA 0,1 sec. ou moins	40	40	40
	P500YLM	6,0 [10]	-	6,0 [10]	40 A 100 mA 0,1 sec. ou moins	40	40	40
	P550YLM	10,0 [8]	-	10,0 [8]	60 A 100 mA 0,1 sec. ou moins	63	63	60
	P600YLM	10,0 [8]	-	10,0 [8]	60 A 100 mA 0,1 sec. ou moins	63	63	60

- Utilisez une alimentation séparée pour l'unité de source de chaleur et pour l'appareil intérieur. Assurez que l'OC et l'OS sont câblés individuellement.
- Tenez toujours compte des conditions ambiantes (température ambiante, rayons solaires directs, pluie, etc.) lors du câblage et des raccordements.
- Les dimensions des câbles données correspondent à la valeur minimum pour le câblage du conduit métallique. Si la tension chute, utilisez un câble qui a un diamètre plus épais.
Assurez-vous que la tension d'alimentation ne tombe pas de plus de 10 %.

4. Les conditions spécifiques de câblage doivent se conformer aux règlements de câblage du CSA22-1 et du ANSI/NFPA n° 70.
5. Les cordons d'alimentation des éléments des équipements utilisés à l'extérieur ne pourront pas répondre à des spécifications inférieures à celles du cordon souple gainé en polychloroprène (norme 60245 IEC57).
6. Un commutateur avec une séparation de contact d'au moins 3 mm [1/8 in] dans chaque pôle doit être fourni par l'installateur du climatiseur.
7. Si le câble électrique est endommagé, il doit être remplacé par le fabricant, son agent de service ou une personne de qualification similaire afin d'éviter tout risque.

⚠ Avertissement :

- Soyez sûr d'utiliser les câbles spécifiés pour les connexions et veillez à ce qu'aucune force externe ne soit transmise aux bornes de connexion. Si les connexions ne sont pas fermement réalisées, un échauffement ou un incendie peut en résulter.
- Soyez sûr d'utiliser le type approprié de commutateur de protection de surintensité. Notez que la surintensité produite peut inclure une certaine quantité de courant continu.

⚠ Attention :

- Certains sites d'installation peuvent requérir la connexion d'un disjoncteur de fuite de terre pour l'inverseur. Si aucun disjoncteur de fuite de la terre n'est installé, il y a un danger de choc électrique.
- N'utilisez pas de disjoncteur et de fusible de capacité incorrecte. Utiliser un fusible ou un câble de trop grande capacité peut causer un défaut de fonctionnement ou un incendie.

12. Essai de fonctionnement

12.1. Les phénomènes suivants ne représentent pas des défauts.

Phénomène	Affichage de la télécommande	Cause
L'appareil intérieur n'exécute pas le refroidissement (chauffage).	"Refroidissement (chauffage)" clignote	Lorsqu'un autre appareil intérieur est en mode de chauffage (refroidissement), le refroidissement (chauffage) n'est pas exécuté.
L'ailette automatique tourne et commence à souffler l'air horizontalement.	Affichage normal	Si l'air a soufflé vers le bas pendant une heure au cours du refroidissement, l'appareil peut automatiquement changer en soufflement horizontal avec l'opération de contrôle de l'ailette automatique. Pendant le dégivrage ou immédiatement après la mise en route/arrêt du chauffage, l'ailette automatique tourne automatiquement pour souffler l'air horizontalement pendant une période courte.
Le réglage du ventilateur change durant le chauffage.	Affichage normal	Le fonctionnement en vitesse très lente commence lorsque le thermostat est désactivé. Un souffle d'air léger passe à la valeur temporelle prédéfinie ou à la température de la tuyauterie lorsque le thermostat est activé.
Le ventilateur ne s'arrête pas alors que le fonctionnement a été arrêté.	Aucun éclairage	Le ventilateur est programmé pour continuer de fonctionner pendant 1 minute après l'arrêt de l'appareil afin d'évacuer toute chaleur résiduelle (seulement en mode de chauffage).
Ventilateur non réglé alors que le commutateur de mise en marche est activé.	Chauffage prêt	Le ventilateur fonctionne à vitesse extrêmement réduite pendant 5 minutes après l'activation du commutateur ou jusqu'à ce que la température de la tuyauterie atteigne 35°C, il fonctionne ensuite lentement pendant les 2 minutes qui suivent, puis il fonctionne selon le pré-réglage (Commande de réglage de la chaleur).
La télécommande de l'appareil intérieur affiche "HO" ou "PLEASE WAIT" pendant environ cinq minutes après la mise sous tension.	"HO" ou "PLEASE WAIT" clignote	Le système est mis en marche. Utilisez de nouveau la télécommande lorsque "HO" ou "PLEASE WAIT" a disparu de l'affichage.
La bomba de drenaje continúa operando aun cuando la unidad ha sido apagada.	No se enciende	Después de detener la operación de enfriado, la unidad continúa accionando la bomba de drenaje durante 3 minutos y luego la detiene. La unidad también continuará accionando la bomba de drenaje si se ha producido condensación.
L'appareil intérieur émet un bruit en commutant du chauffage au refroidissement et vice-versa.	Affichage normal	C'est un bruit de commutation du circuit frigorifique et n'implique pas un problème.
Immédiatement après la mise en route, l'appareil intérieur émet un bruit du flux frigorifique.	Affichage normal	Le flux instable du frigorigène émet un bruit. C'est provisoire et n'implique pas un problème.
De l'air chaud provient d'un appareil intérieur qui n'exécute pas de chauffage.	Affichage normal	Le LEV est légèrement ouvert pour empêcher le frigorigène de l'appareil intérieur qui n'exécute pas le chauffage d'être liquéfié. Ceci n'implique pas un problème.

13. Informations de la plaque signalétique

PQHY-P-YLM-A1, PQHY-P-YLM-A2

Unité (individuelle)	P200YLM	P250YLM	P300YLM	P350YLM	P400YLM	P450YLM	P500YLM	P550YLM	P600YLM
Ensemble de module	-	-	-	-	-	-	-	-	-
Frigorigène (R410A)	5,0 kg			6,0 kg			11,7 kg		
Pression admissible (Ps)	HP: 4,15 MPa, LP: 2,21 MPa								
Poids net	170 kg			214 kg			243 kg		

Unité (individuelle)	P400YSLM	P450YSLM	P500YSLM	P550YSLM	P600YSLM	P700YSLM	P750YSLM	P800YSLM	P850YSLM	P900YSLM
Ensemble de module	P200 + P200	P250 + P200	P250 + P250	P300 + P250	P300 + P300	P350 + P350	P400 + P350	P400 + P400	P450 + P400	P450 + P450
Frigorigène (R410A)	5,0 kg + 5,0 kg					6,0 kg + 6,0 kg				
Pression admissible (Ps)	HP: 4,15 MPa, LP: 2,21 MPa									
Poids net	170 kg + 170 kg					214 kg + 214 kg				

PQRY-P-YLM-A1, PQRY-P-YLM-A2

Unité (individuelle)	P200YLM	P250YLM	P300YLM	P350YLM	P400YLM	P450YLM	P500YLM	P550YLM	P600YLM
Ensemble de module	-	-	-	-	-	-	-	-	-
Frigorigène (R410A)	5,0 kg			6,0 kg			11,7 kg		
Pression admissible (Ps)	HP: 4,15 MPa, LP: 2,21 MPa								
Poids net	173 kg			217 kg			247 kg		

Unité (individuelle)	P400YSLM	P450YSLM	P500YSLM	P550YSLM-A	P600YSLM-A	P700YSLM-A	P750YSLM-A	P800YSLM-A	P850YSLM	P900YSLM
Ensemble de module	P200 + P200	P250 + P200	P250 + P250	P300 + P250	P300 + P300	P350 + P350	P400 + P350	P400 + P400	P450 + P400	P450 + P450
Frigorigène (R410A)	5,0 kg + 5,0 kg					6,0 kg + 6,0 kg				
Pression admissible (Ps)	HP: 4,15 MPa, LP: 2,21 MPa									
Poids net	173 kg + 173 kg					217 kg + 217 kg				

fr



AIR CONDITIONER HEAT SOURCE UNIT

MODEL

REFRIGERANT	R410A	kg
ALLOWABLE PRESSURE(Ps)	HP 4.15MPa (41.5bar) LP 2.21MPa (22.1bar)	
ALLOWABLE WATER TEMP.	10°C ~ 45°C	
ALLOWABLE WATER VOLUME		m ³ /h
MAXIMUM WATER PRESSURE	2.0 MPa	
WEIGHT		kg
IP CODE		IP20
YEAR OF MANUFACTURE		
SERIAL No.		

OPERATION	COOLING			HEATING		
	RATED VOLTAGE 3N- V	380	400	415	380	400
FREQUENCY Hz	50 / 60			50 / 60		
CAPACITY						
	kW			kW		
	kcal/h			kcal/h		
	Btu/h			Btu/h		
RATED INPUT kW						
RATED CURRENT A						
MAX CURRENT A (INDOOR 35°CDB, 24°CWB, CIRCULATING WATER 45°C)						
RATED CONDITION DB / WB °C	INDOOR 27 / 19			INDOOR 20 / -		
	CIRCULATING WATER 30			CIRCULATING WATER 20		

Contains fluorinated greenhouse gases.

MANUFACTURER:
 MITSUBISHI ELECTRIC CORPORATION
 AIR-CONDITIONING & REFRIGERATION SYSTEMS WORKS
 5-66, TEBIRA, 6-CHOME, WAKAYAMA CITY, JAPAN
 MADE IN JAPAN

This product is designed and intended for use in the residential,
commercial and light-industrial environment.

The product at hand is based on the following EU regulations:

- Low Voltage Directive 2014/35/EU
- Electromagnetic Compatibility Directive 2014/30/EU
- Pressure Equipment Directive 2014/68/EU
- Machinery Directive 2006/42/EC

Please be sure to put the contact address/telephone number
on this manual before handing it to the customer.

MITSUBISHI ELECTRIC CORPORATION

HEAD OFFICE: TOKYO BLDG., 2-7-3, MARUNOUCHI, CHIYODA-KU, TOKYO 100-8310, JAPAN
MANUFACTURER: MITSUBISHI ELECTRIC CORPORATION AIR-CONDITIONING & REFRIGERATION SYSTEMS WORKS
5-66, TEBIRA 6 CHOME, WAKAYAMA-CITY, 640-8686, JAPAN

WT08474X05