

# TECHNICAL & SERVICE MANUAL

## Series PMFY Ceiling Cassettes R410A

### Indoor unit

#### [Model names]

#### [Service Ref.]

PMFY-P20VBM-E

PMFY-P20VBM-E

PMFY-P20VBM-E<sub>1</sub>

PMFY-P20VBM-E#2

PMFY-P20VBM-ER3

PMFY-P20VBM-ER4

PMFY-P25VBM-E

PMFY-P25VBM-E

PMFY-P25VBM-E<sub>1</sub>

PMFY-P25VBM-E#2

PMFY-P25VBM-ER3

PMFY-P25VBM-ER4

PMFY-P32VBM-E

PMFY-P32VBM-E

PMFY-P32VBM-E<sub>1</sub>

PMFY-P32VBM-E#2

PMFY-P32VBM-ER3

PMFY-P32VBM-ER4

PMFY-P40VBM-E

PMFY-P40VBM-E

PMFY-P40VBM-E<sub>1</sub>

PMFY-P40VBM-E#2

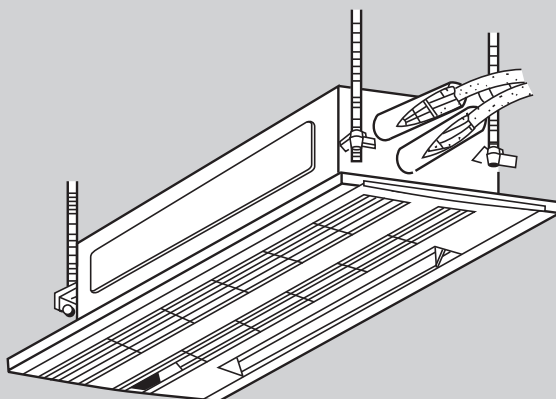
PMFY-P40VBM-ER3

PMFY-P40VBM-ER4

#### Revision:

- Some descriptions have been modified in REVISED EDITION-F.

OC307 REVISED EDITION-E is void.



INDOOR UNIT

### CONTENTS

1. TECHNICAL CHANGES.....	2
2. SAFETY PRECAUTION .....	3
3. PART NAMES AND FUNCTIONS.....	5
4. SPECIFICATIONS .....	12
5. OUTLINES AND DIMENSIONS .....	16
6. WIRING DIAGRAM.....	17
7. REFRIGERANT SYSTEM DIAGRAM ....	21
8. TROUBLESHOOTING.....	22
9. DISASSEMBLY PROCEDURE.....	32
10. SERVICE PARTS LIST.....	36

# CITY MULTI

**PMFY-P20VBM-ER3 → PMFY-P20VBM-ER4**  
**PMFY-P25VBM-ER3 → PMFY-P25VBM-ER4**  
**PMFY-P32VBM-ER3 → PMFY-P32VBM-ER4**  
**PMFY-P40VBM-ER3 → PMFY-P40VBM-ER4**

1. INDOOR CONTROLLER BOARD has been changed. (S/W version up)

**PMFY-P20VBM-E#2 → PMFY-P20VBM-ER3**  
**PMFY-P25VBM-E#2 → PMFY-P25VBM-ER3**  
**PMFY-P32VBM-E#2 → PMFY-P32VBM-ER3**  
**PMFY-P40VBM-E#2 → PMFY-P40VBM-ER3**

1. DRAIN PIPE has been changed.  
 2. JOINT SOCKET (FOR DRAIN PIPE) has been added.

**PMFY-P20VBM-E<sub>1</sub> → PMFY-P20VBM-E#2**  
**PMFY-P25VBM-E<sub>1</sub> → PMFY-P25VBM-E#2**  
**PMFY-P32VBM-E<sub>1</sub> → PMFY-P32VBM-E#2**  
**PMFY-P40VBM-E<sub>1</sub> → PMFY-P40VBM-E#2**

1. CONTROLLER BOARD (I.B) has been changed.  
 2. PANEL has been changed.  
     PMP-40BM → PMP-40BMW  
     (White : 0.98Y 8.99/0.63) (Pure white : 6.4Y 8.9/0.4)  
 3. FAN MOTOR (MF) has been changed.  
 4. THERMISTOR (TH22, TH23) have been changed.

**PMFY-P20VBM-E → PMFY-P20VBM-E<sub>1</sub>**  
**PMFY-P25VBM-E → PMFY-P25VBM-E<sub>1</sub>**  
**PMFY-P32VBM-E → PMFY-P32VBM-E<sub>1</sub>**  
**PMFY-P40VBM-E → PMFY-P40VBM-E<sub>1</sub>**

1. FAN MOTOR (MF) has been changed.  
 2. CONTROLLER BOARD (I.B) has been changed.

## Cautions for units utilizing refrigerant R410A

**Use new refrigerant pipes.**

In case of using the existing pipes for R22, be careful with the followings.

- Change flare nut to the one provided with this product.
- Use a newly flared pipe.
- Avoid using thin pipes.

**Make sure that the inside and outside of refrigerant piping is clean and it has no contaminants such as sulfur, oxides, dirt, shaving particles, etc, which are hazard to refrigerant cycle. In addition, use pipes with specified thickness.**

Contamination inside refrigerant piping can cause deterioration of refrigerant oil etc.

**Store the piping indoors, and both ends of the piping sealed until just before brazing. (Leave elbow joints, etc. in their packaging.)**

If dirt, dust or moisture enters into refrigerant cycle, that can cause deterioration of refrigerant oil or malfunction of compressor.

**The refrigerant oil applied to flare and flange connections must be ester oil, ether oil or alkylbenzene oil in a small amount.**

If large amount of mineral oil enters, that can cause deterioration of refrigerant oil etc.

**Charge refrigerant from liquid phase of gas cylinder.**

If the refrigerant is charged from gas phase, composition change may occur in refrigerant and the efficiency will be lowered.

**Do not use refrigerant other than R410A.**

If other refrigerant (R22 etc.) is used, chlorine in refrigerant can cause deterioration of refrigerant oil etc.

**Use a vacuum pump with a reverse flow check valve.**

Vacuum pump oil may flow back into refrigerant cycle and that can cause deterioration of refrigerant oil etc.

**Use the following tools specifically designed for use with R410A refrigerant.**

The following tools are necessary to use R410A refrigerant.

Tools for R410A	
Gauge manifold	Flare tool
Charge hose	Size adjustment gauge
Gas leak detector	Vacuum pump adaptor
Torque wrench	Electronic refrigerant charging scale

**Handle tools with care.**

If dirt, dust or moisture enters into refrigerant cycle, that can cause deterioration of refrigerant oil or malfunction of compressor.

**Do not use a charging cylinder.**

If a charging cylinder is used, the composition of refrigerant will change and the efficiency will be lowered.

**Use the specified refrigerant only.**

**Never use any refrigerant other than that specified.**

Doing so may cause a burst, an explosion, or fire when the unit is being used, serviced, or disposed of.

Correct refrigerant is specified in the manuals and on the spec labels provided with our products.

We will not be held responsible for mechanical failure, system malfunction, unit breakdown or accidents caused by failure to follow the instructions.

**Ventilate the room if refrigerant leaks during operation. If refrigerant comes into contact with a flame, poisonous gases will be released.**

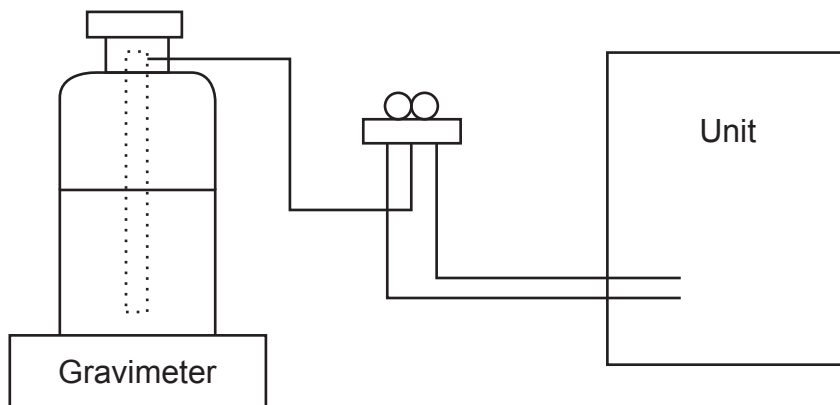
### [1] Cautions for service

- (1) Perform service after recovering the refrigerant left in unit completely.
  - (2) Do not release refrigerant in the air.
  - (3) After completing service, charge the cycle with specified amount of refrigerant.
  - (4) When performing service, install a filter drier simultaneously.
- Be sure to use a filter drier for new refrigerant.

### [2] Additional refrigerant charge

#### When charging directly from cylinder

- Check that cylinder for R410A on the market is syphon type.
- Charging should be performed with the cylinder of syphon stood vertically. (Refrigerant is charged from liquid phase.)



### [3] Service tools

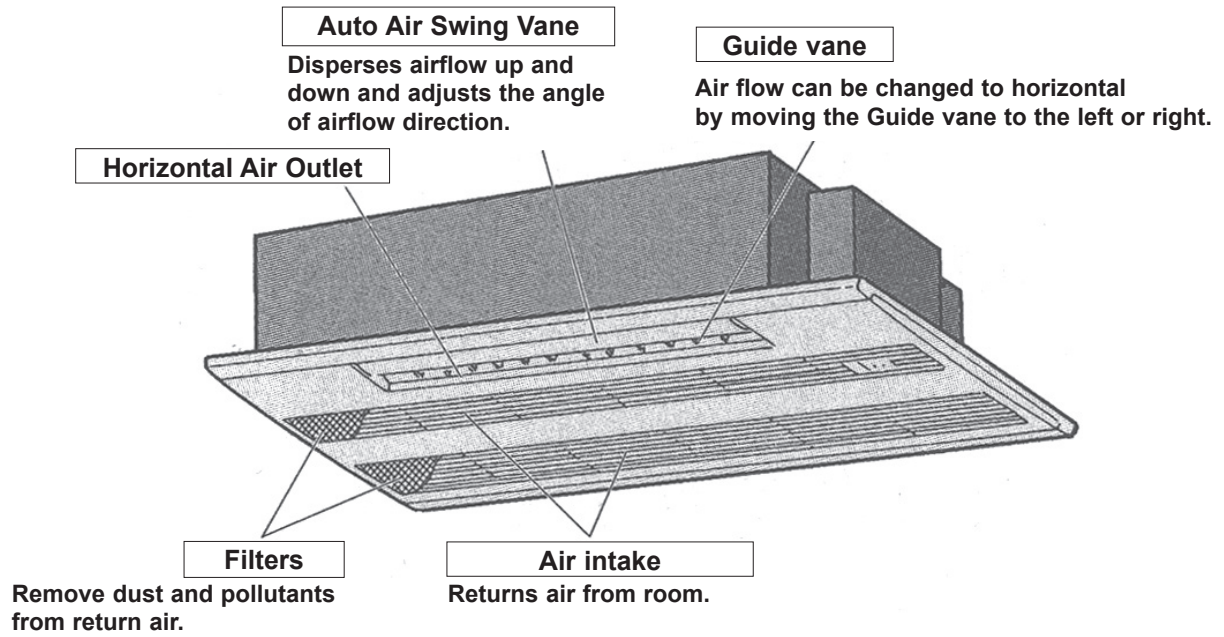
Use the below service tools as exclusive tools for R410A refrigerant.

No.	Tool name	Specifications
①	Gauge manifold	· Only for R410A
		· Use the existing fitting specifications. (UNF1/2)
		· Use high-tension side pressure of 5.3MPa·G or over.
②	Charge hose	· Only for R410A
		· Use pressure performance of 5.09MPa·G or over.
③	Electronic scale	—
④	Gas leak detector	· Use the detector for R134a, R407C or R410A.
⑤	Adapter for reverse flow check	· Attach on vacuum pump.
⑥	Refrigerant charge base	—
⑦	Refrigerant cylinder	· Only for R410A · Top of cylinder (Pink)
		· Cylinder with syphon
⑧	Refrigerant recovery equipment	—

# 3

## PART NAMES AND FUNCTIONS

### 3-1. Indoor Unit



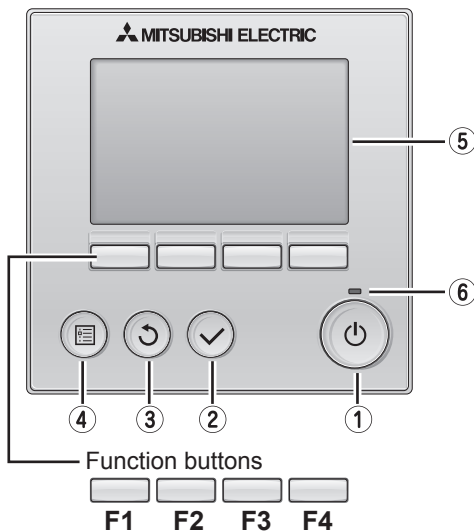
## 3-2. WIRED REMOTE CONTROLLER <PAR-30MAA/PAR-31MAA>

### Wired remote controller function

\* The functions which can be used are restricted according to the model.

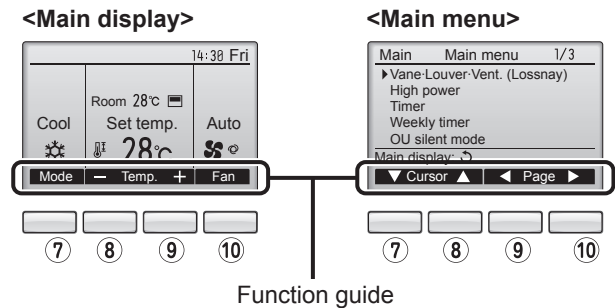
○ : Supported × : Unsupported

	Function	PAR-30MAA/PAR-31MAA		PAR-21MAA
		Slim	CITY MULTI	
Body	Product size H × W × D (mm)	120 × 120 × 19		120 × 130 × 19
	LCD	Full Dot LCD		Partial Dot LCD
	Backlight	○		×
Energy-saving	Energy-saving operation schedule	○	×	×
	Automatic return to the preset temperature	○		×
Restriction	Setting the temperature range restriction	○		○
Function	Operation lock function	○		○
	Weekly timer	○		×
	On / Off timer	○		○
	High Power	○	×	×
	Manual vane angle	○		○



The functions of the function buttons change depending on the screen. Refer to the button function guide that appears at the bottom of the LCD for the functions they serve on a given screen.

When the system is centrally controlled, the button function guide that corresponds to the locked button will not appear.



#### ① ON / OFF button

Press to turn ON/OFF the indoor unit.

#### ② SELECT button

Press to save the setting.

#### ③ RETURN button

Press to return to the previous screen.

#### ④ MENU button

Press to bring up the Main menu.

#### ⑤ Backlit LCD

Operation settings will appear. When the backlight is off, pressing any button turns the backlight on and it will stay lit for a certain period of time depending on the screen.

**When the backlight is off, pressing any button turns the backlight on and does not perform its function. (except for the (1) (ON / OFF) button)**

#### ⑥ ON / OFF lamp

This lamp lights up in green while the unit is in operation. It blinks while the remote controller is starting up or when there is an error.

#### ⑦ Function button F1

Main display : Press to change the operation mode.  
Main menu : Press to move the cursor down.

#### ⑧ Function button F2

Main display : Press to decrease temperature.  
Main menu : Press to move the cursor up.

#### ⑨ Function button F3

Main display : Press to increase temperature.  
Main menu : Press to go to the previous page.

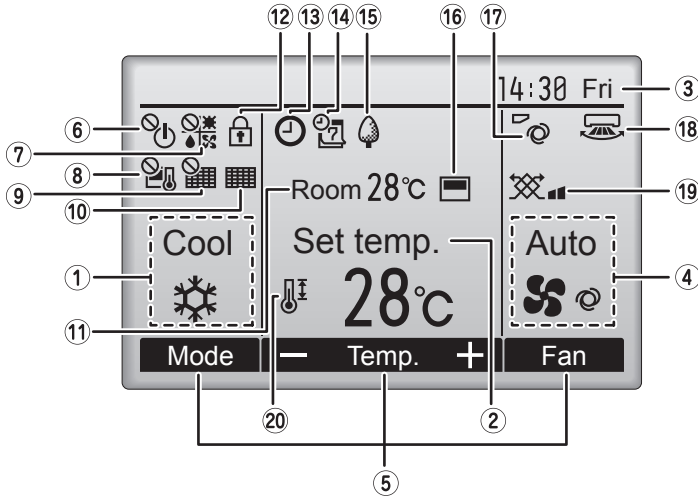
#### ⑩ Function button F4

Main display : Press to change the fan speed.  
Main menu : Press to go to the next page.

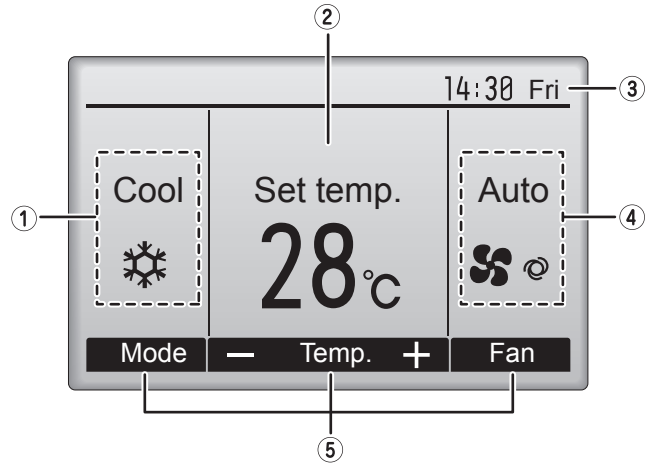
The main display can be displayed in two different modes: "Full" and "Basic".  
The factory setting is "Full". To switch to the "Basic" mode, change the setting on the Main display setting.

**<Full mode>**

\* All icons are displayed for explanation.



**<Basic mode>**



**① Operation mode**

Indoor unit operation mode appears here.

**② Preset temperature**

Preset temperature appears here.

**③ Clock (See the Installation Manual.)**

Current time appears here.

**④ Fan speed**

Fan speed setting appears here.

**⑤ Button function guide**

Functions of the corresponding buttons appear here.



Appears when the ON/OFF operation is centrally controlled.



Appears when the operation mode is centrally controlled.



Appears when the preset temperature is centrally controlled.



Appears when the filter reset function is centrally controlled.



Indicates when filter needs maintenance.

**⑪ Room temperature (See the Installation Manual.)**

Current room temperature appears here.



Appears when the buttons are locked.



Appears when the On/Off timer or Night setback function is enabled.



Appears when the Weekly timer is enabled.



Appears while the units are operated in the energy-save mode.



Appears when the built-in thermistor on the remote controller is activated to monitor the room temperature.

appears when the thermistor on the indoor unit is activated to monitor the room temperature.



Indicates the vane setting.



Indicates the louver setting.



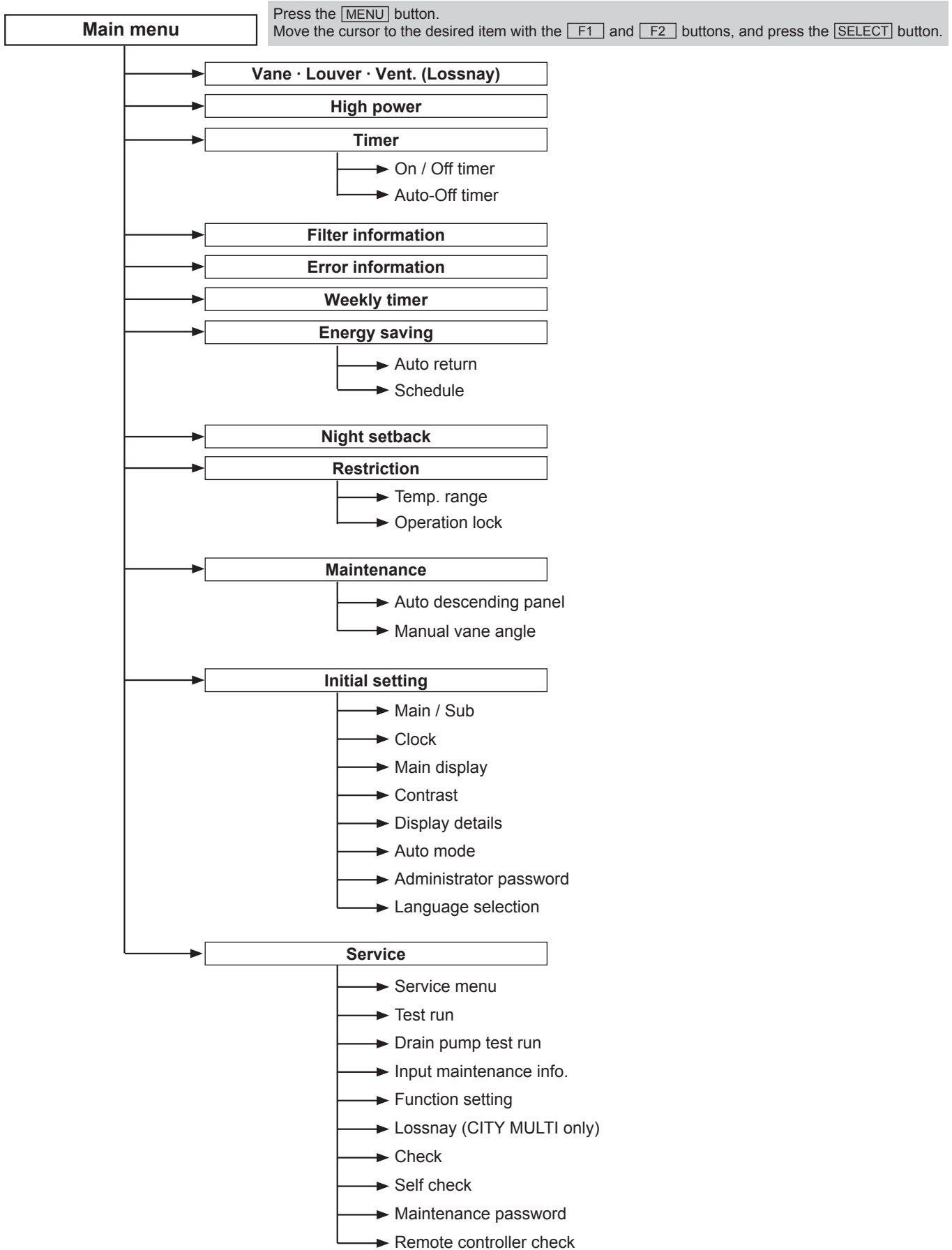
Indicates the ventilation setting.



Appears when the preset temperature range is restricted.

Most settings (except ON / OFF, mode, fan speed, temperature) can be made from the Menu screen.

## Menu structure



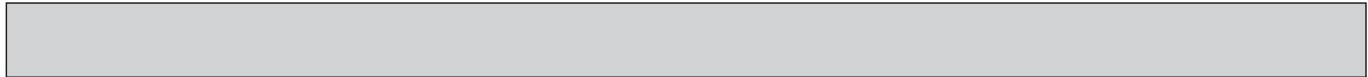
Not all functions are available on all models of indoor units.





**Main menu list**

Setting and display items		Setting details
Vane · Louver · Vent. (Lossnay)		<p><b>Use to set the vane angle.</b></p> <ul style="list-style-type: none"> <li>• Select a desired vane setting from five different settings.</li> </ul> <p><b>Use to turn ON / OFF the louver.</b></p> <ul style="list-style-type: none"> <li>• Select a desired setting from "ON" and "OFF."</li> </ul> <p><b>Use to set the amount of ventilation.</b></p> <ul style="list-style-type: none"> <li>• Select a desired setting from "Off," "Low," and "High."</li> </ul>
High power		<p><b>Use to reach the comfortable room temperature quickly.</b></p> <ul style="list-style-type: none"> <li>• Units can be operated in the High-power mode for up to 30 minutes.</li> </ul>
Timer	On/Off timer	<p><b>Use to set the operation On/Off times.</b></p> <ul style="list-style-type: none"> <li>• Time can be set in 5-minute increments.</li> <li>* Clock setting is required.</li> </ul>
	Auto-Off timer	<p><b>Use to set the Auto-Off time.</b></p> <ul style="list-style-type: none"> <li>• Time can be set to a value from 30 to 240 in 10-minute increments.</li> </ul>
Filter information		<p><b>Use to check the filter status.</b></p> <ul style="list-style-type: none"> <li>• The filter sign can be reset.</li> </ul>
Error information		<p><b>Use to check error information when an error occurs.</b></p> <ul style="list-style-type: none"> <li>• Error code, error source, refrigerant address, unit model, manufacturing number, contact information (dealer's phone number) can be displayed.</li> <li>* The unit model, manufacturing number, and contact information need to be registered in advance to be displayed.</li> </ul>
Weekly timer		<p><b>Use to set the weekly operation On / Off times.</b></p> <ul style="list-style-type: none"> <li>• Up to eight operation patterns can be set for each day.</li> <li>* Clock setting is required.</li> <li>* Not valid when the On/Off timer is enabled.</li> </ul>
Energy saving	Auto return	<p><b>Use to get the units to operate at the preset temperature after performing energy-save operation for a specified time period.</b></p> <ul style="list-style-type: none"> <li>• Time can be set to a value from 30 and 120 in 10-minute increments.</li> <li>* This function will not be valid when the preset temperature ranges are restricted.</li> </ul>
	Schedule	<p><b>Set the start/stop times to operate the units in the energy-save mode for each day of the week, and set the energy-saving rate.</b></p> <ul style="list-style-type: none"> <li>• Up to four energy-save operation patterns can be set for each day.</li> <li>• Time can be set in 5-minute increments.</li> <li>• Energy-saving rate can be set to a value from 0% or 50 to 90% in 10% increments.</li> <li>* Clock setting is required.</li> </ul>
Night setback		<p><b>Use to make Night setback settings.</b></p> <ul style="list-style-type: none"> <li>• Select "Yes" to enable the setting, and "No" to disable the setting. The temperature range and the start/stop times can be set.</li> <li>* Clock setting is required.</li> </ul>
Restriction	Temp. range	<p><b>Use to restrict the preset temperature range.</b></p> <ul style="list-style-type: none"> <li>• Different temperature ranges can be set for different operation modes.</li> </ul>
	Operation lock	<p><b>Use to lock selected functions.</b></p> <ul style="list-style-type: none"> <li>• The locked functions cannot be operated.</li> </ul>
Maintenance	Auto descending panel	<p><b>Auto descending panel (Optional parts) Up / Down you can do.</b></p>
	Manual vane angle	<p><b>Use to set the vane angle for each vane to a fixed position.</b></p>
Initial setting	Main/Sub	<p><b>When connecting two remote controllers, one of them needs to be designated as a sub controller.</b></p>
	Clock	<p><b>Use to set the current time.</b></p>
	Main display	<p><b>Use to switch between "Full" and "Basic" modes for the Main display.</b></p> <ul style="list-style-type: none"> <li>• The default setting is "Full."</li> </ul>
	Contrast	<p><b>Use to adjust screen contrast.</b></p>



Setting and display items		Setting details
Initial setting	Display details	<p><b>Make the settings for the remote controller related items as necessary.</b></p> <p><b>Clock:</b> The factory settings are "Yes" and "24h" format.</p> <p><b>Temperature:</b> Set either Celsius (°C) or Fahrenheit (°F).</p> <p><b>Room temp. :</b> Set Show or Hide.</p> <p><b>Auto mode:</b> Set the Auto mode display or Only Auto display.</p>
	Auto mode	<p><b>Whether or not to use the AUTO mode can be selected by using the button.</b></p> <p><b>This setting is valid only when indoor units with the AUTO mode function are connected.</b></p>
	Administrator password	<p><b>The administrator password is required to make the settings for the following items.</b></p> <ul style="list-style-type: none"> <li>• Timer setting</li> <li>• Energy-save setting</li> <li>• Weekly timer setting</li> <li>• Restriction setting</li> <li>• Outdoor unit silent mode setting</li> <li>• Night set back</li> </ul>
	Language selection	<p><b>Use to select the desired language.</b></p>
Service	Test run	<p><b>Select "Test run" from the Service menu to bring up the Test run menu.</b></p> <ul style="list-style-type: none"> <li>• Test run</li> <li>• Drain pump test run</li> </ul>
	Input maintenance	<p><b>Select "Input maintenance Info." from the Service menu to bring up the Maintenance information screen.</b></p> <p><b>The following settings can be made from the Maintenance Information screen.</b></p> <ul style="list-style-type: none"> <li>• Model name input</li> <li>• Serial No. input</li> <li>• Dealer information input</li> </ul>
	Function setting	<p><b>Make the settings for the indoor unit functions via the remote controller as necessary.</b></p>
	LOSSNAY setting (CITY MULTI only)	<p><b>This setting is required only when the operation of CITY MULTI units is interlocked with LOSSNAY units.</b></p>
	Check	<p><b>Error history:</b> Display the error history and execute delete error history.</p> <p><b>Refrigerant leak check:</b> Refrigerant leaks can be judged.</p> <p><b>Smooth maintenance:</b> The indoor and outdoor maintenance data can be displayed.</p> <p><b>Request cord:</b> Details of the operation data including each thermistor temperature and error history can be checked.</p>
	Self check	<p><b>Error history of each unit can be checked via the remote controller.</b></p>
	Maintenance password	<p><b>Take the following steps to change the maintenance password.</b></p>
	Remote controller check	<p><b>When the remote controller does not work properly, use the remote controller checking function to troubleshoot the problem.</b></p>

### 3-3. WIRED REMOTE CONTROLLER <PAR-21MAA>

#### Display Section

For purposes of this explanation, all parts of the display are shown. During actual operation, only the relevant items will be lit.

**Identifies the current operation**  
Shows the operating mode, etc.  
\*Multilanguage display is available.

**"Centrally Controlled" indicator**  
Indicates that operation from the remote controller has been prohibited by a master controller.

**"Timer is Off" indicator**  
Indicates that the timer is off.

**Temperature Setting**  
Shows the target temperature.

**Day-of-Week**  
Shows the current day of the week.

**Time/Timer Display**  
Shows the current time, unless the simple or Auto Off timer is set.  
If the simple or Auto Off timer is set, the time to be switched off is shown.

**Up/Down Air Direction indicator**  
The indicator \ shows the direction of the outgoing airflow.

**"One Hour Only" indicator**  
Displayed if the airflow is set to Low or downward during COOL or DRY mode. (Operation varies according to model.)  
The indicator goes off in one hour, at which time the airflow direction also changes.

**Room Temperature display**  
Shows the room temperature. The room temperature display range is 8 - 39°C. The display blinks if the temperature is less than 8°C or 39°C or more.

**Louver display**  
Indicates the action of the swing louver. Does not appear if the louver is not running.

**(Power On indicator)**  
Indicates that the power is on.

**"Sensor" indication**  
Displayed when the remote controller sensor is used.

**"Locked" indicator**  
Indicates that remote controller buttons have been locked.

**"Clean The Filter" indicator**  
To be displayed on when it is time to clean the filter.

**Timer indicators**  
The indicator comes on if the corresponding timer is set.

**Fan Speed indicator**  
Shows the selected fan speed.

**Ventilation indicator**  
Appears when the unit is running in Ventilation mode.

#### Operation Section

Temperature setting buttons

- ▽ Down
- △ Up

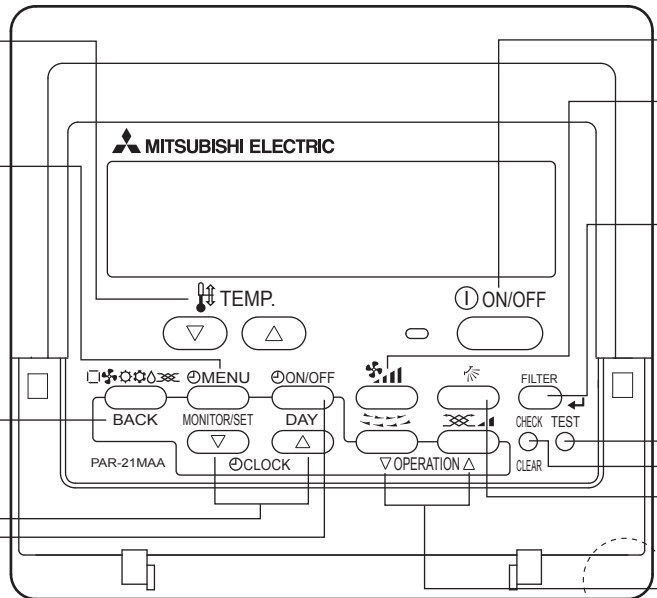
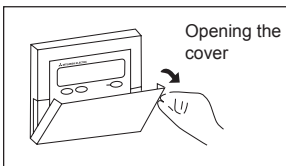
Timer Menu button (Monitor/Set button)

Mode button (Return button)

Set Time buttons

- ▽ Back
- △ Ahead

Timer On/Off button (Set Day button)



**Note:**

- "PLEASE WAIT" message  
This message is displayed for approximately 3 minutes when power is supplied to the indoor unit or when the unit is recovering from a power failure.
- "NOT AVAILABLE" message  
This message is displayed if an invalid button is pressed (to operate a function that the indoor unit does not have).  
If a single remote controller is used to operate multiple indoor units simultaneously that are different types, this message will not be displayed as far as any of the indoor units is equipped with the function.

## 4-1. SPECIFICATION

Item		PMFY-P20VBM-E PMFY-P20VBM-E <sub>1</sub> PMFY-P20VBM-E#2 PMFY-P20VBM-ER3 PMFY-P20VBM-ER4	PMFY-P25VBM-E PMFY-P25VBM-E <sub>1</sub> PMFY-P25VBM-E#2 PMFY-P25VBM-ER3 PMFY-P25VBM-ER4	PMFY-P32VBM-E PMFY-P32VBM-E <sub>1</sub> PMFY-P32VBM-E#2 PMFY-P32VBM-ER3 PMFY-P32VBM-ER4	PMFY-P40VBM-E PMFY-P40VBM-E <sub>1</sub> PMFY-P40VBM-E#2 PMFY-P40VBM-ER3 PMFY-P40VBM-ER4		
Power	V·Hz	Single phase 220V-230V-240V 50Hz / 220V 60Hz					
Cooling capacity	kW	2.2	2.8	3.6	4.5		
Heating capacity	kW	2.5	3.2	4.0	5.0		
Electric characteristic	Input	Cooling	kW	0.042	0.044	0.044	0.054
		Heating	kW	0.042	0.044	0.044	0.054
	Current	Cooling	A	0.20	0.21	0.21	0.26
		Heating	A	0.20	0.21	0.21	0.26
Exterior (munsell symbol)	—	Unit : Galvanized sheets · Standard grilles : ABS resin acrylic coating Munsell <0.98Y 8.99/0.63> (PMFY-P·VBM-E <sub>(1)</sub> ) / <6.4Y 8.9/0.4> (PMFY-P·VBM-E#2/ER3/ER4)					
Dimensions	Height	mm	230<30>				
	Width	mm	812<1,000>				
	Depth	mm	395<470>				
Heat exchanger	—	Cross fin					
S L	Fan × No	—	Line flow fan × 1				
	Air flow *3	m <sup>3</sup> /min	8.7 - 8.0 - 7.2 - 6.5	9.3 - 8.6 - 8.0 - 7.3	10.7 - 9.7 - 8.7 - 7.7		
	External static pressure	Pa	0				
	Fan motor output	kW	0.028				
Insulator	—	Polyethylene sheet					
Air filter	—	PP honey comb fabric					
Pipe dimensions	Gas side	φmm(in.)	12.7(1/2")				
	Liquid side	φmm(in.)	6.35(1/4")				
Field drain pipe size	φmm	O.D.26 (PVC pipe VP-20 connectable)					
Noise level *3	dB	35 - 33 - 30 - 27	37 - 36 - 34 - 32	39 - 37 - 35 - 33			
Product weight	kg	14<3.0>					

Note 1. Rating conditions (JIS B 8615-1)

Cooling: Indoor: D.B. 27°C W.B. 19°C

outdoor: D.B. 35°C

Heating: Indoor: D.B. 20°C

outdoor: D.B. 7°C W.B. 6°C

Note 2. The number indicated in < > is for the grille.

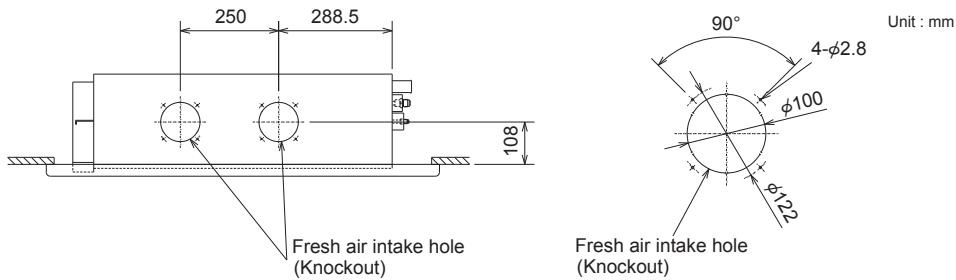
\*3. Air flow and the noise level are indicated as High – Medium1 – Medium2 – Low.

## 4-2. ELECTRIC PARTS SPECIFICATIONS

Service ref. Parts name	Symbol	PMFY-P20VBM-E PMFY-P20VBM-E <sub>1</sub> PMFY-P20VBM-E#2 PMFY-P20VBM-ER3 PMFY-P20VBM-ER4	PMFY-P25VBM-E PMFY-P25VBM-E <sub>1</sub> PMFY-P25VBM-E#2 PMFY-P25VBM-ER3 PMFY-P25VBM-ER4	PMFY-P32VBM-E PMFY-P32VBM-E <sub>1</sub> PMFY-P32VBM-E#2 PMFY-P32VBM-ER3 PMFY-P32VBM-ER4	PMFY-P40VBM-E PMFY-P40VBM-E <sub>1</sub> PMFY-P40VBM-E#2 PMFY-P40VBM-ER3 PMFY-P40VBM-ER4
Room temperature thermistor	TH21	Resistance 0°C/15kΩ, 10°C/9.6kΩ, 20°C/6.3kΩ, 25°C/5.4kΩ, 30°C/4.3kΩ, 40°C/3.0kΩ			
Liquid pipe thermistor	TH22	Resistance 0°C/15kΩ, 10°C/9.6kΩ, 20°C/6.3kΩ, 25°C/5.4kΩ, 30°C/4.3kΩ, 40°C/3.0kΩ			
Gas pipe thermistor	TH23	Resistance 0°C/15kΩ, 10°C/9.6kΩ, 20°C/6.3kΩ, 25°C/5.4kΩ, 30°C/4.3kΩ, 40°C/3.0kΩ			
Fuse (Indoor controller board)	FUSE	250V 6.3A			
Fan motor	MF	DC Brushless Motor 8-pole OUTPUT 28W PN0H28-MB			
Vane motor	MV	MSFJC 20M23 12V/380Ω			
Drain pump	DP	PJV-1046 220-240V 50/60Hz			
Drain sensor	DS	Thermistor resistance 0°C/6kΩ, 10°C/3.9kΩ, 20°C/2.6kΩ, 25°C/2.2kΩ, 30°C/1.8kΩ, 40°C/1.3kΩ			
Linear expansion valve	LEV	DC12V Stepping motor drive, Port dimension φ3.2 (0~2000pulse)			
Power supply terminal block	TB2	(L, N, ⊕) 330V 30A			
Transmission terminal block	TB5	(M1, M2, S) 250V 20A			
MA-remote controller terminal block	TB15	(1,2) 250V 10A			

### 4-3. AIR CAPACITY TAKEN FROM OUTSIDE

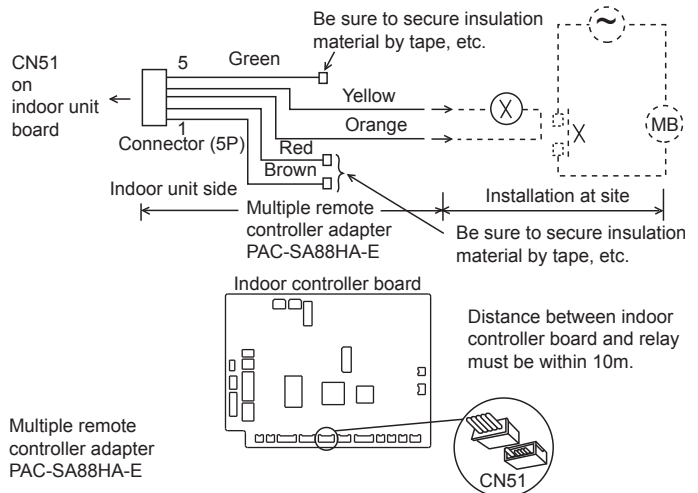
PMFY-P-VBM-E series enables to take fresh air from outside. When taking fresh air, the duct fan is used. The air capacity should be 20% or less of the air flow SPEC(Hi).



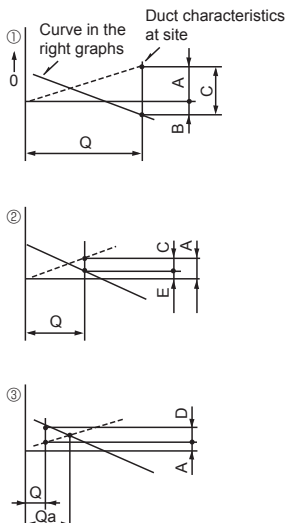
Service Ref.	Air flow (Hi)	Air capacity from outside
PMFY-P20VBM-E PMFY-P20VBM-E <sub>1</sub> PMFY-P20VBM-E#2	8.7m <sup>3</sup> /min	Max 1.74m <sup>3</sup> /min
PMFY-P25VBM-E PMFY-P25VBM-E <sub>1</sub> PMFY-P25VBM-E#2	9.3m <sup>3</sup> /min	Max 1.86m <sup>3</sup> /min
PMFY-P32VBM-E PMFY-P32VBM-E <sub>1</sub> PMFY-P32VBM-E#2	9.3m <sup>3</sup> /min	Max 1.86m <sup>3</sup> /min
PMFY-P40VBM-E PMFY-P40VBM-E <sub>1</sub> PMFY-P40VBM-E#2	10.7m <sup>3</sup> /min	Max 2.14m <sup>3</sup> /min

#### Operation in conjunction with duct fan (Booster fan)

- Whenever the indoor unit is operating, the duct fan operates.
  - (1) Connect the optional multiple remote controller adapter (PAC-SA88HA-E) to the connector CN51 on the indoor controller board.
  - (2) Drive the relay after connecting the 12V DC relay between the Yellow and Orange connector lines.
  - (\* ) Use a relay of 1W or smaller.
- MB: Electromagnetic switch power relay for duct fan.  
X: Auxiliary relay (12V DC LY-1F)

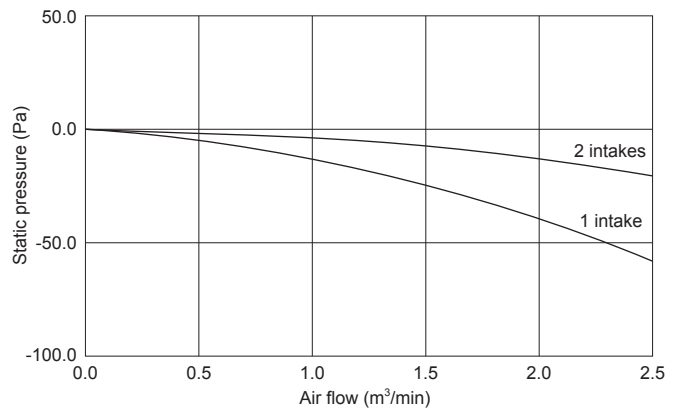


#### How to read curves



- Q...Designed amount of fresh air intake <math>\lt; m^3/min ></math>
- A...Static pressure loss of fresh air intake duct system with air flow amount Q <math>\lt; Pa ></math>
- B...Forced static pressure at air conditioner inlet with air flow amount Q <math>\lt; Pa ></math>
- C...Static pressure of booster fan with air flow amount Q <math>\lt; Pa ></math>
- D...Static pressure loss increase amount of fresh air intake duct system for air flow amount Q <math>\lt; Pa ></math>
- E...Static pressure of indoor unit with air flow amount Q <math>\lt; Pa ></math>
- Qa...Estimated amount of fresh air intake without D <math>\lt; m^3/min ></math>

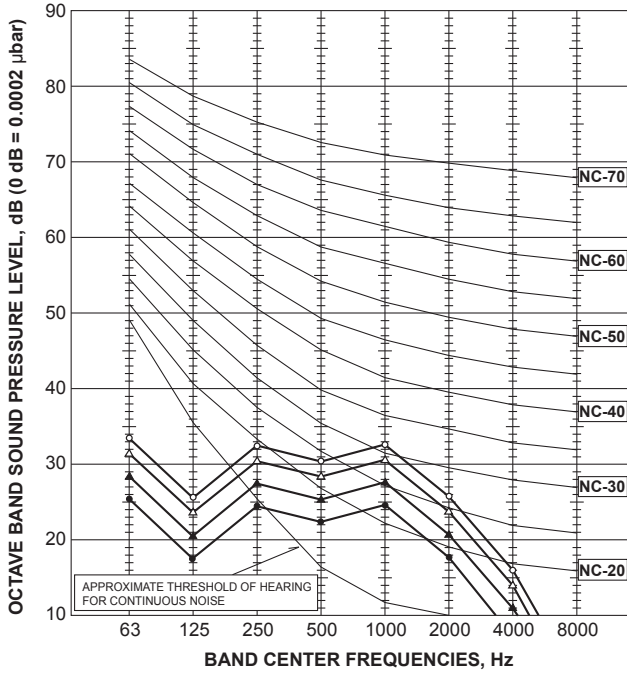
Characteristic diagram of fresh air taken capacity



#### 4-4. NOISE CRITERION CURVES

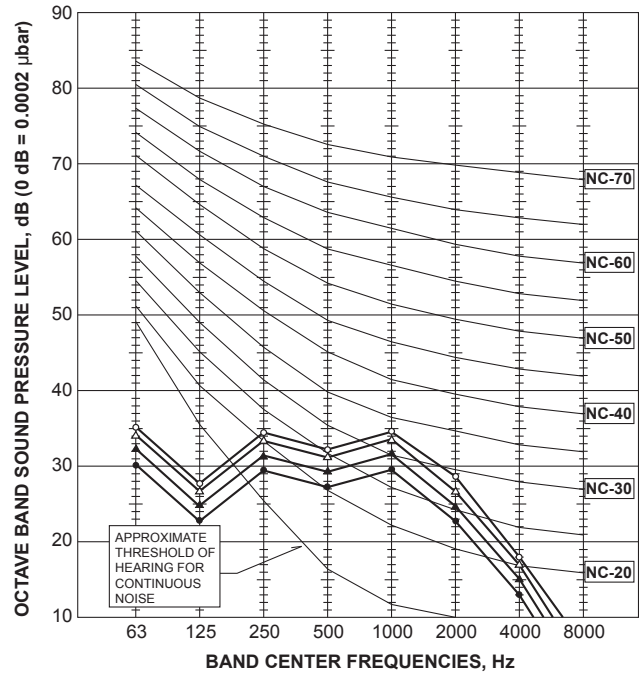
PMFY-P20VBM-E  
 PMFY-P20VBM-E<sub>1</sub>  
 PMFY-P20VBM-E#2  
 PMFY-P20VBM-ER3  
 PMFY-P20VBM-ER4

NOTCH	SPL(dB)	LINE
High	35	○—○
Medium1	33	△—△
Medium2	30	▲—▲
Low	27	●—●



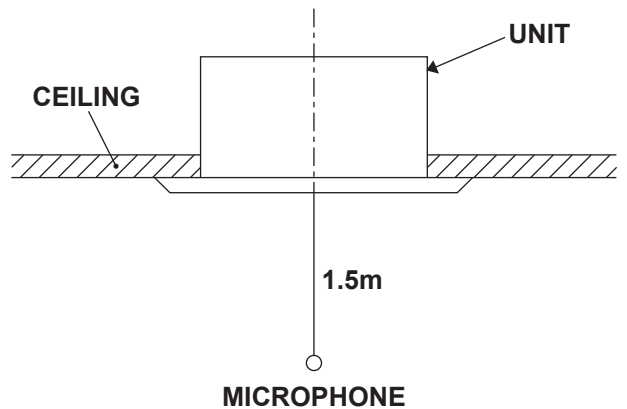
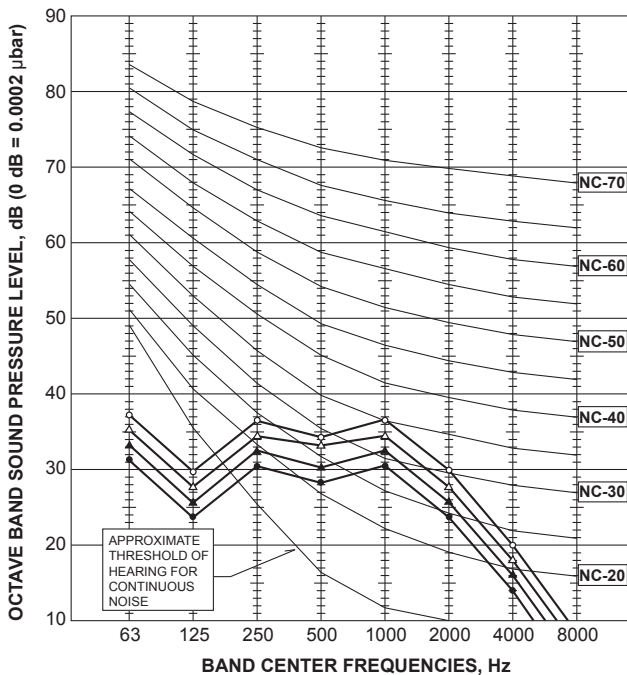
PMFY-P25/32VBM-E  
 PMFY-P25/32VBM-E<sub>1</sub>  
 PMFY-P25/32VBM-E#2  
 PMFY-P25/32VBM-ER3  
 PMFY-P25/32VBM-ER4

NOTCH	SPL(dB)	LINE
High	37	○—○
Medium1	36	△—△
Medium2	34	▲—▲
Low	32	●—●



PMFY-P40VBM-E  
 PMFY-P40VBM-E<sub>1</sub>  
 PMFY-P40VBM-E#2  
 PMFY-P40VBM-ER3  
 PMFY-P40VBM-ER4

NOTCH	SPL(dB)	LINE
High	39	○—○
Medium1	37	△—△
Medium2	35	▲—▲
Low	33	●—●



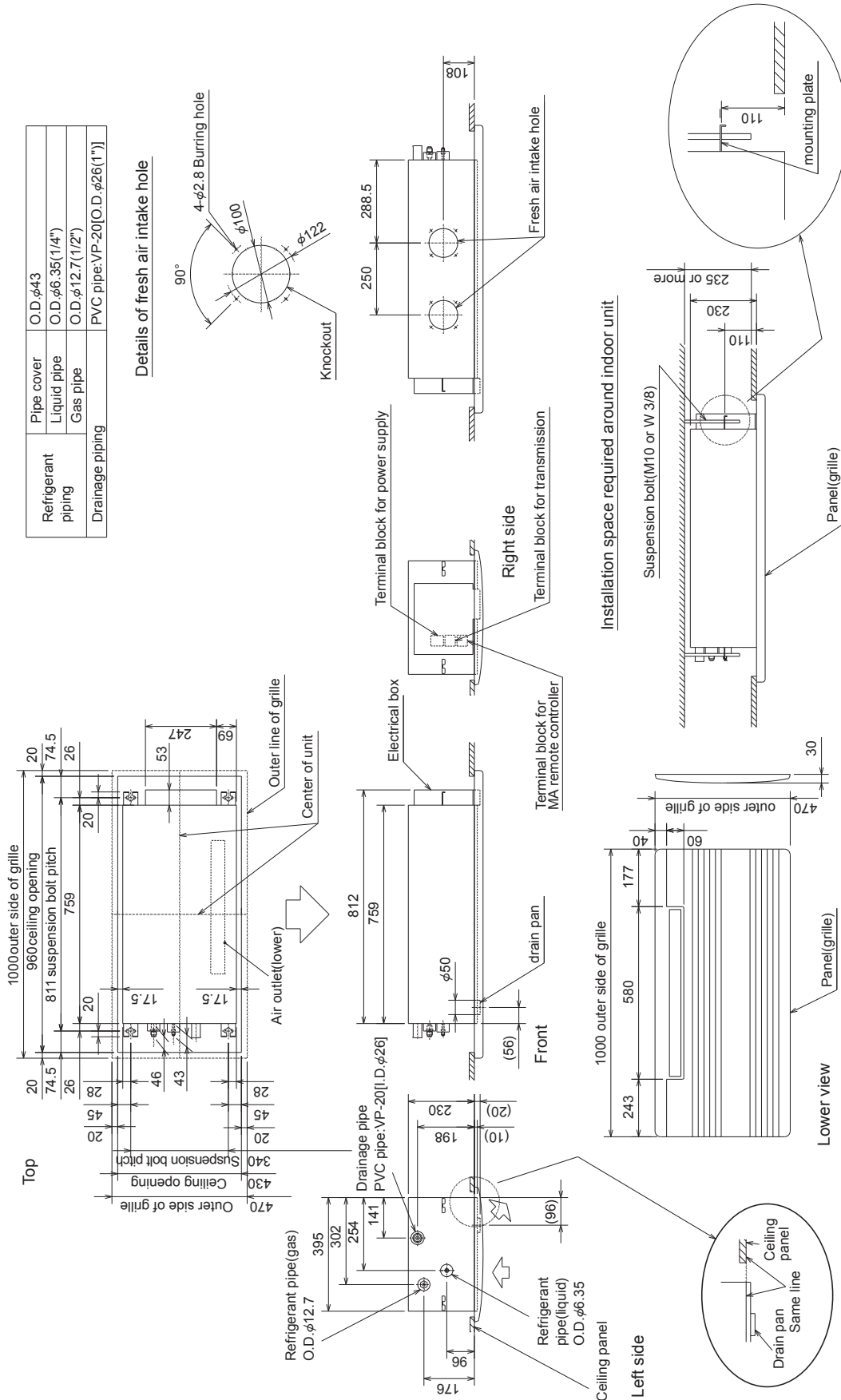
PMFY-P20VBM-E  
 PMFY-P20VBM-E<sub>1</sub>  
 PMFY-P20VBM-E#2  
 PMFY-P20VBM-ER3  
 PMFY-P20VBM-ER4

PMFY-P25VBM-E  
 PMFY-P25VBM-E<sub>1</sub>  
 PMFY-P25VBM-E#2  
 PMFY-P25VBM-ER3  
 PMFY-P25VBM-ER4

PMFY-P32VBM-E  
 PMFY-P32VBM-E<sub>1</sub>  
 PMFY-P32VBM-E#2  
 PMFY-P32VBM-ER3  
 PMFY-P32VBM-ER4

PMFY-P40VBM-E  
 PMFY-P40VBM-E<sub>1</sub>  
 PMFY-P40VBM-E#2  
 PMFY-P40VBM-ER3  
 PMFY-P40VBM-ER4

Unit : mm



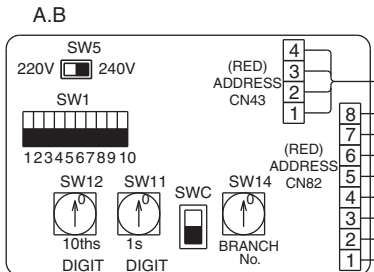
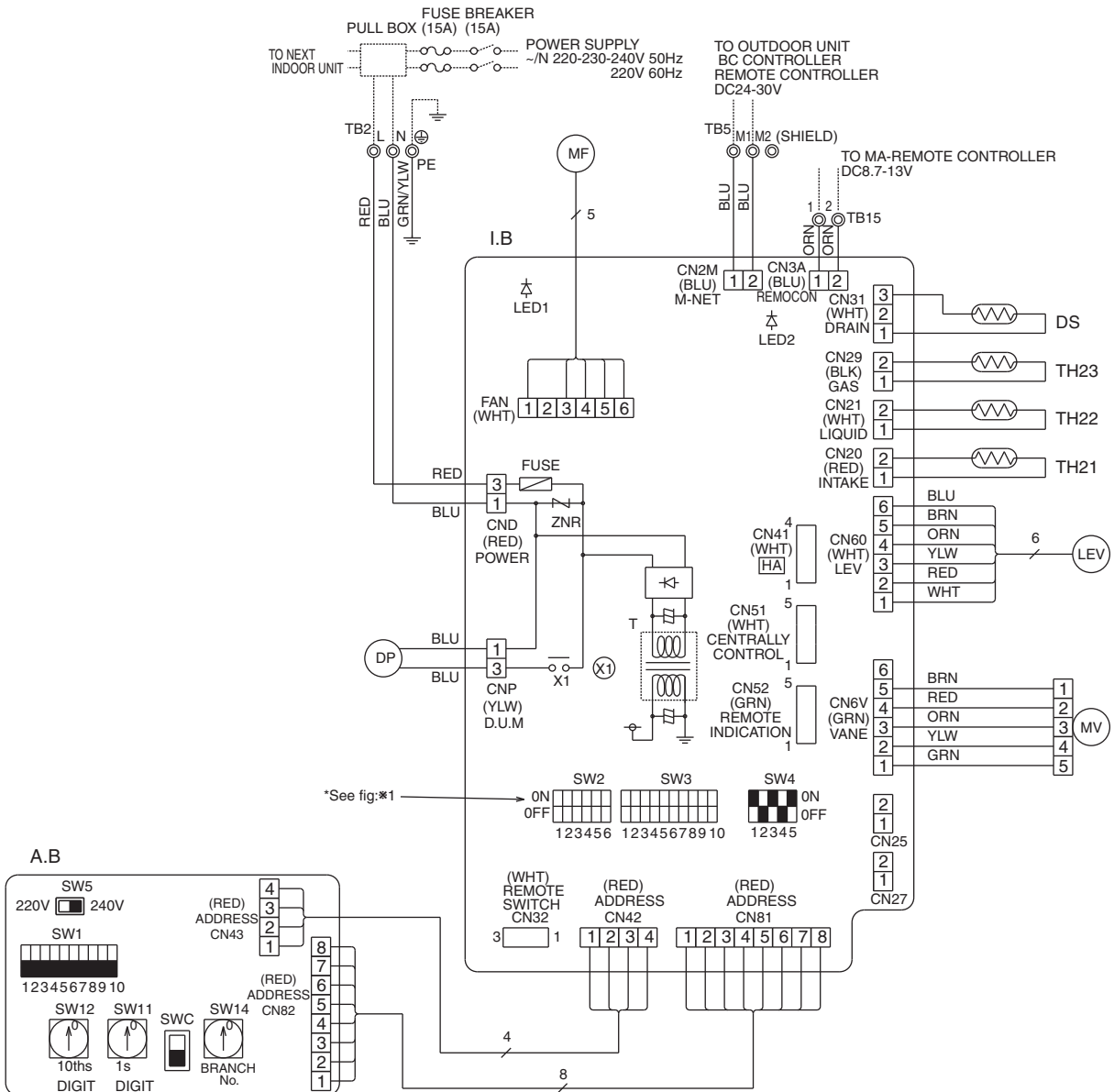


PMFY-P20VBM-E

PMFY-P25VBM-E

PMFY-P32VBM-E

PMFY-P40VBM-E



[ LEGEND ]

SYMBOL	NAME	SYMBOL	NAME
I.B	INDOOR CONTROLLER BOARD	MF	FAN MOTOR
CN25	CONNECTOR	MV	VANE MOTOR
CN27	CONNECTOR	DP	DRAIN PUMP
CN32	CONNECTOR	DS	DRAIN SENSOR
CN41	CONNECTOR	TB2	TERMINAL-A
CN51	CONNECTOR	TB5	BLOCK
CN52	CONNECTOR	TB15	MA-REMOTE CONTROLLER
SW2	SWITCH	TH21	THERMISTOR
SW3	SWITCH	TH22	THERMISTOR
SW4	SWITCH	TH23	THERMISTOR
ZNR	VARIATOR	LEV	LINEAR EXPANSION VALVE
FUSE	FUSE(6.3A/250V)		
X1	AUX.RELAY   DRAIN PUMP		
T	TRANSFORMER		
LED1	POWER SUPPLY (I.B)		
LED2	POWER SUPPLY (I.B)		
A.B	CIRCUIT BOARD		
SW1	SWITCH		
SW5	SWITCH		
SW11	SWITCH		
SW12	SWITCH		
SW14	SWITCH		

< \* 1 >

MODELS	SW2	SW3
P20VBM	ON OFF 123456	ON OFF 12345678910
P25VBM	ON OFF 123456	ON OFF 12345678910
P32VBM	ON OFF 123456	ON OFF 12345678910
P40VBM	ON OFF 123456	ON OFF 12345678910

The black square (■) indicates a switch position.

LED on indoor board for service

Mark	Meaning	Function
LED1	Main power supply	Main power supply (Indoor unit: 220-240V) power on → Lamp is lit.
LED2	Power supply for MA-Remote controller	Power supply for MA-Remote controller on → Lamp is lit.

NOTES:

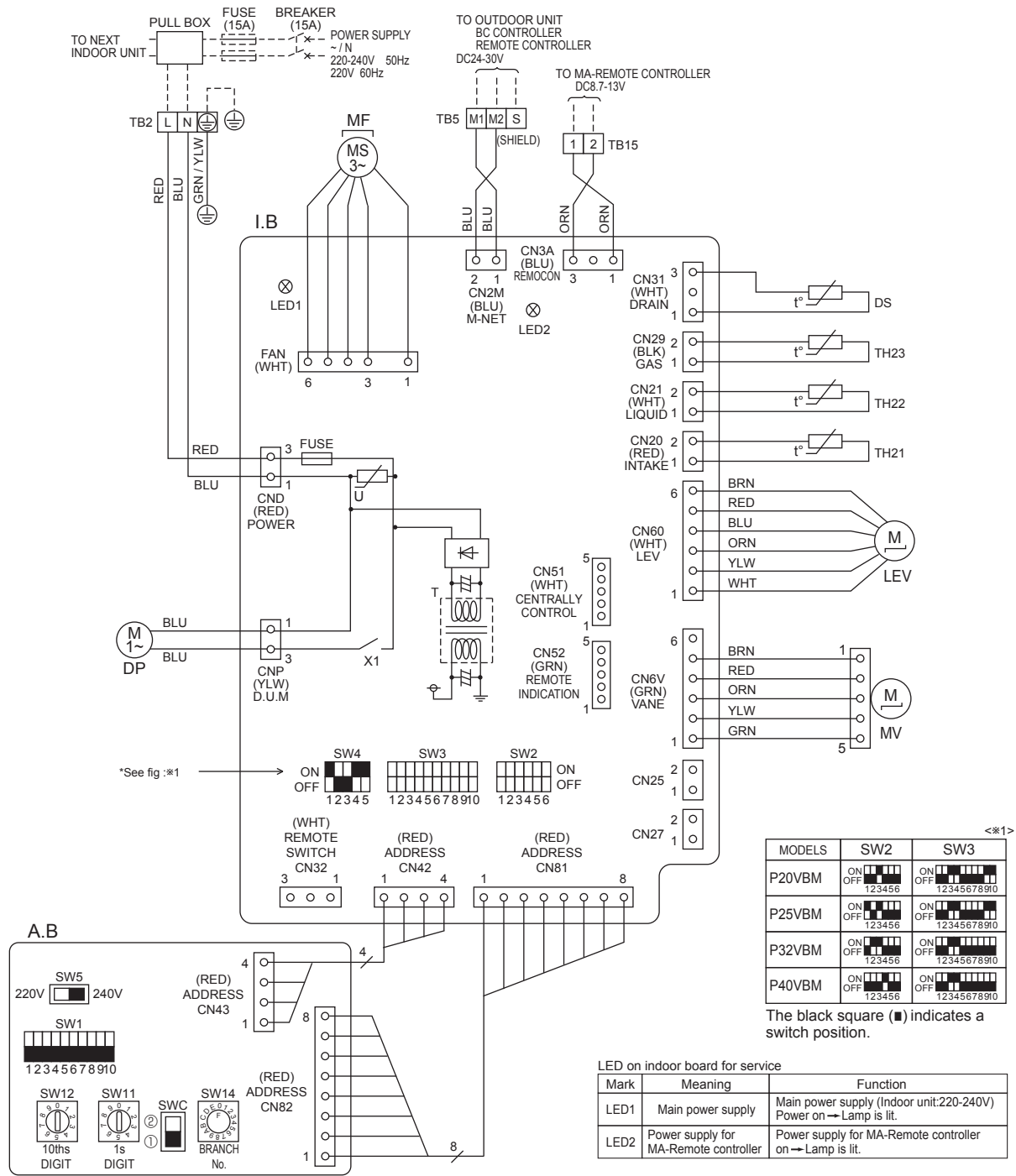
- At servicing for outdoor unit, always follow the wiring diagram of outdoor unit.
- In case of using MA-Remote controller, please connect to TB15. (Remote controller wire is non-polar.)
- In case of using M-NET, please connect to TB5. (Transmission wire is non-polar.)
- Symbol [S] of TB5 is the shield wire connection.
- Symbols used in wiring diagram above are, ⊙ : terminal block, □ : connector.
- The setting of the SW2 dip switches differs in the capacity. For the detail, refer to the table above.
- Please set the switch SW5 according to the power supply voltage. Set SW5 to 240V side when the power supply is 230 and 240 volts. When the power supply is 220 volts, set SW5 to 220V side.

PMFY-P20VBM-E1

PMFY-P25VBM-E1

PMFY-P32VBM-E1

PMFY-P40VBM-E1



**LEGEND**

SYMBOL	NAME	SYMBOL	NAME
I.B	INDOOR CONTROLLER BOARD	TB2	TERMINAL BLOCK
CN25	CONNECTOR HUMIDIFIER	TB5	TERMINAL BLOCK
CN27	DAMPER	TB15	TERMINAL BLOCK
CN32	REMOTE SWITCH	TH21	THERMISTOR
CN51	CENTRALLY CONTROL	TH22	ROOM TEMP. DETECTION (0°C/15kΩ, 25°C/5.4kΩ)
CN52	REMOTE INDICATION	TH23	PIPE TEMP. DETECTION / LIQUID (0°C/15kΩ, 25°C/5.4kΩ)
SW2	SWITCH CAPACITY CODE	TH23	PIPE TEMP. DETECTION / GAS (0°C/15kΩ, 25°C/5.4kΩ)
SW3	SWITCH MODE SELECTION	LEV	LINEAR EXPANSION VALVE
SW4	SWITCH MODEL SELECTOR	A.B	CIRCUIT BOARD
ZNR	VARIATOR	SW1	SWITCH MODE SELECTION
FUSE	FUSE (6.3A / 250V)	SW5	SWITCH VOLTAGE SELECTION
X1	AUX.RELAY DRAIN PUMP	SW11	SWITCH ADDRESS SETTING 1s DIGIT
T	TRANSFORMER	SW12	SWITCH ADDRESS SETTING 10ths DIGIT
LED1	POWER SUPPLY(I.B)	SW14	SWITCH BRANCH No.
LED2	POWER SUPPLY(I.B)		
MF	FAN MOTOR		
MV	VANE MOTOR		
DP	DRAIN PUMP		
DS	DRAIN SENSOR		

**NOTES:**

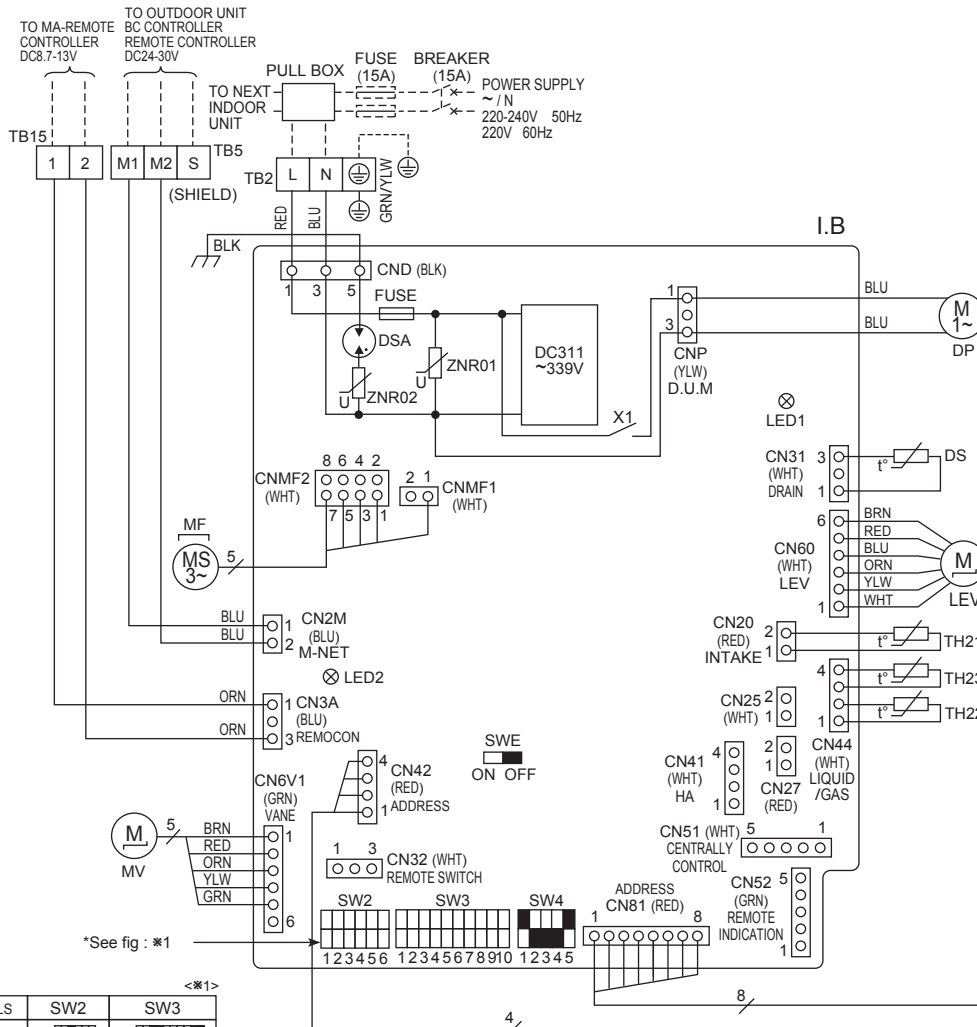
- At servicing for outdoor unit, always follow the wiring diagram of outdoor unit.
- In case of using MA-Remote controller, please connect to TB15. (Remote controller wire is non-polar.)
- In case of using M-NET, please connect to TB5. (Transmission wire is non-polar.)
- Symbol [S] of TB5 is the shield wire connection.
- Symbols used in wiring diagram above are, ⊙:terminal block, □□:connector.
- The setting of the SW2 dip switches differs in the capacity. For the detail, refer to the table above.
- Please set the switch SW5 according to the power supply voltage. Set SW5 to 240V side when the power supply is 230 and 240 volts. When the power supply is 220 volts, set SW5 to 220V side.

**PMFY-P20VBM-E#2**  
**PMFY-P20VBM-ER3**

**PMFY-P25VBM-E#2**  
**PMFY-P25VBM-ER3**

**PMFY-P32VBM-E#2**  
**PMFY-P32VBM-ER3**

**PMFY-P40VBM-E#2**  
**PMFY-P40VBM-ER3**

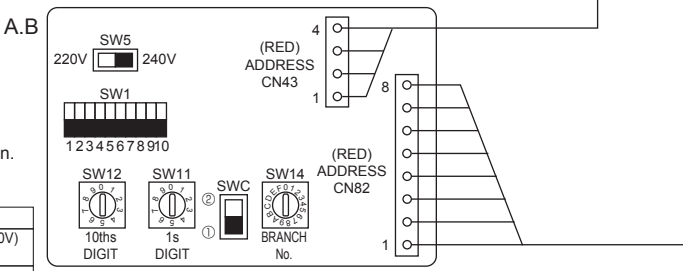


\*See fig : \*1

MODELS	SW2	SW3
P20VBM	ON OFF 123456 123456	ON OFF 1234567890 1234567890
P25VBM	ON OFF 123456 123456	ON OFF 1234567890 1234567890
P32VBM	ON OFF 123456 123456	ON OFF 1234567890 1234567890
P40VBM	ON OFF 123456 123456	ON OFF 1234567890 1234567890

The black square (■) indicates a switch position.

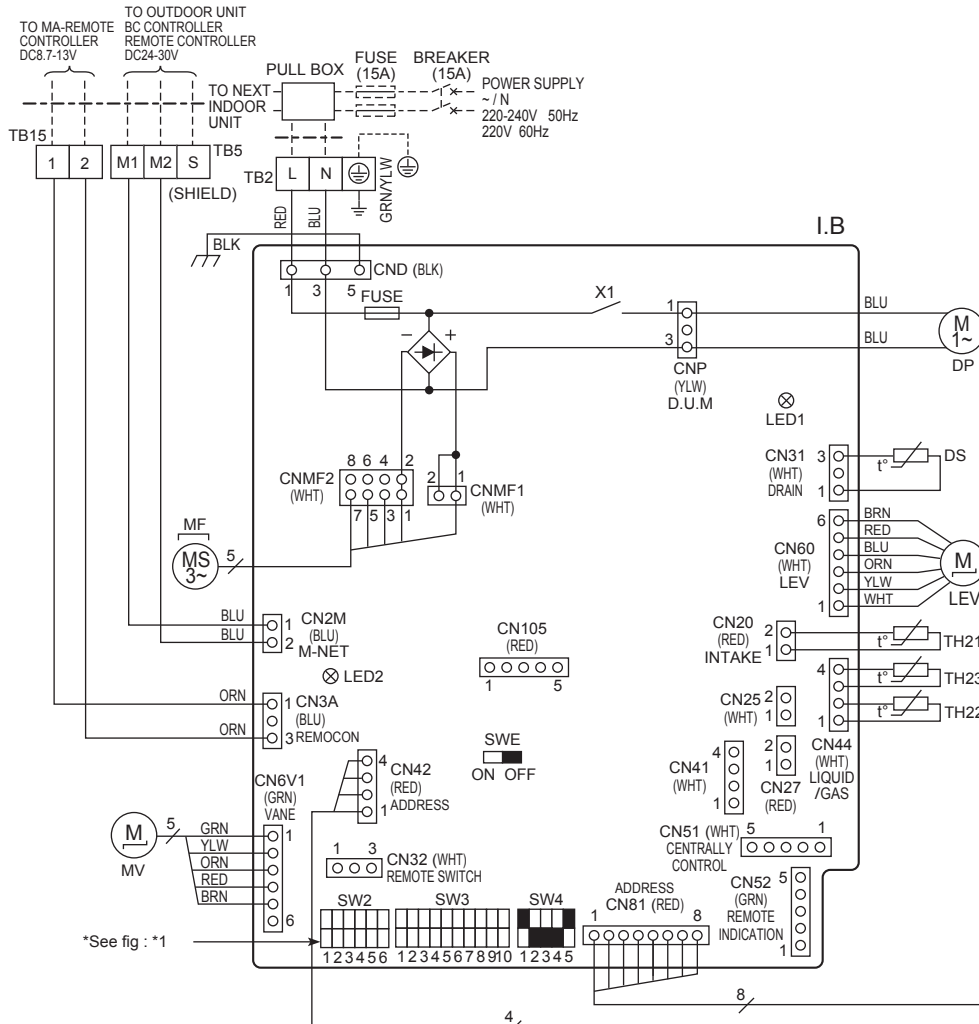
Mark	Meaning	Function
LED1	Main power supply	Main power supply (Indoor unit:220-240V) Power on → lamp is lit
LED2	Power supply for MA-Remote controller	Power supply for MA-Remote controller on → lamp is lit



SYMBOL	NAME	SYMBOL	NAME
I.B	INDOOR CONTROLLER BOARD	DS	DRAIN SENSOR
CN25	CONNECTOR HUMIDIFIER	TB2	TERMINAL BLOCK
CN27	DAMPER	TB5	TERMINAL BLOCK
CN32	REMOTE SWITCH	TB15	TERMINAL BLOCK
CN51	CENTRALLY CONTROL	TH21	THERMISTOR
CN52	REMOTE INDICATION	TH22	THERMISTOR
SW2	SWITCH CAPACITY CORD	TH23	THERMISTOR
SW3	SWITCH MODE SELECTION	SW1	SWITCH MODE SELECTION
SW4	SWITCH MODEL SELECTOR	SW5	SWITCH VOLTAGE SELECTION
SWE	DRAIN UP MACHINE (TEST MODE)	SW11	SWITCH ADDRESS SETTING 1s DIGIT
ZNR	VARISTOR	SW12	SWITCH ADDRESS SETTING 10ths DIGIT
FUSE	FUSE (T6.3AL 250V)	SW14	SWITCH BRANCH No.
X1	AUX.RELAY		
LED1	POWER SUPPLY (I.B)		
LED2	POWER SUPPLY (I.B)		
MF	FAN MOTOR		
MV	VANE MOTOR		
DP	DRAIN PUMP		

- NOTES:**
- At servicing for outdoor unit, always follow the wiring diagram of outdoor unit.
  - In case of using MA-Remote controller, please connect to TB15.  
(Remote controller wire is non-polar.)
  - In case of using M-NET, please connect to TB5. (Transmission line is non-polar.)
  - Symbol (S) of TB5 is the shield wire connection.
  - Symbols used in wiring diagram above are,  
□ : terminal block, ○ : connector.
  - The setting of the SW2 dip switches differs in the capacity. For the detail, refer to the table below.
  - Please set the switch SW5 according to the power supply voltage.  
Set SW5 to 240V side when the power supply is 230 and 240 volts.  
When the power supply is 220 volts, set SW5 to 220V side.

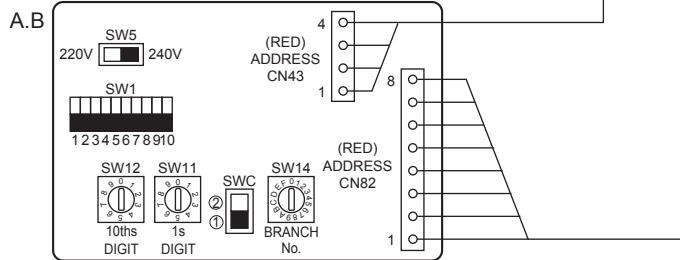
PMFY-P20VBM-ER4 PMFY-P25VBM-ER4 PMFY-P32VBM-ER4 PMFY-P40VBM-ER4



\*See fig : \*1

The black square (■) indicates a switch position. <\*1>

MODELS	SW2	SW3
P20VBM	ON OFF 123456	ON OFF 12345678910
P25VBM	ON OFF 123456	ON OFF 12345678910
P32VBM	ON OFF 123456	ON OFF 12345678910
P40VBM	ON OFF 123456	ON OFF 12345678910



[LEGEND]		[LEGEND]	
SYMBOL	NAME	SYMBOL	NAME
I.B	INDOOR CONTROLLER BOARD	DS	DRAIN SENSOR
CN25	CONNECTOR	TB2	TERMINAL
CN27		TB5	TERMINAL
CN32		BLOCK	BLOCK
CN51		TB15	TERMINAL
CN52			
CN105			
SW2	SWITCH	TH21	THERMISTOR
SW3		TH22	THERMISTOR
SW4		TH23	THERMISTOR
SWE		LEV	LINEAR EXPANSION VALVE
FUSE	FUSE (T6.3AL 250V)	A.B	CIRCUIT BOARD
X1	AUX.RELAY	SW1	SWITCH
LED1	POWER SUPPLY (I.B)	SW5	SWITCH
LED2	POWER SUPPLY (I.B)	SW11	SWITCH
MF	FAN MOTOR	SW12	SWITCH
MV	VANE MOTOR	SW14	SWITCH
DP	DRAIN PUMP		

NOTES:

- At servicing for outdoor unit, always follow the wiring diagram of outdoor unit.
- In case of using MA-Remote controller, please connect to TB15. (Remote controller wire is non-polar.)
- In case of using M-NET, please connect to TB5. (Transmission line is non-polar.)
- Symbol [S] of TB5 is the shield wire connection.
- Symbols used in wiring diagram above are, [ ] : terminal block, [ ] : connector.
- The setting of the SW2 dip switches differs in the capacity. For the detail, refer to the table below.
- Please set the switch SW5 according to the power supply voltage. Set SW5 to 240V side when the power supply is 230 and 240 volts. When the power supply is 220 volts, set SW5 to 220V side.

LED on indoor board for service

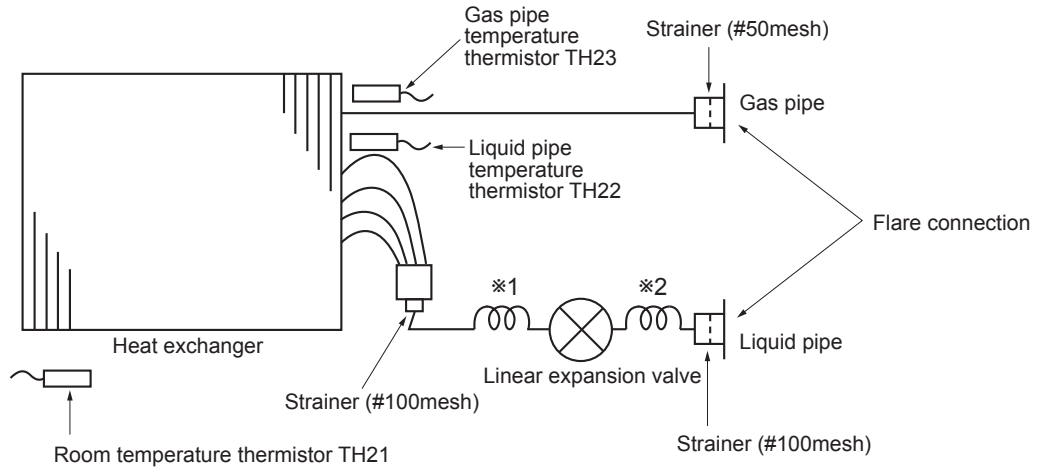
Mark	Meaning	Function
LED1	Main power supply	Main power supply (Indoor unit:220-240V) Power on → lamp is lit
LED2	Power supply for MA-Remote controller	Power supply for MA-Remote controller on → lamp is lit

PMFY-P20VBM-E  
 PMFY-P20VBM-E<sub>1</sub>  
 PMFY-P20VBM-E#2  
 PMFY-P20VBM-ER3  
 PMFY-P20VBM-ER4

PMFY-P25VBM-E  
 PMFY-P25VBM-E<sub>1</sub>  
 PMFY-P25VBM-E#2  
 PMFY-P25VBM-ER3  
 PMFY-P25VBM-ER4

PMFY-P32VBM-E  
 PMFY-P32VBM-E<sub>1</sub>  
 PMFY-P32VBM-E#2  
 PMFY-P32VBM-ER3  
 PMFY-P32VBM-ER4

PMFY-P40VBM-E  
 PMFY-P40VBM-E<sub>1</sub>  
 PMFY-P40VBM-E#2  
 PMFY-P40VBM-ER3  
 PMFY-P40VBM-ER4



Unit: mm (inch)

Item \ Service Ref.	PMFY-P20, P25, P32, P40VBM-E PMFY-P20, P25, P32, P40VBM-E <sub>1</sub> PMFY-P20, P25, P32, P40VBM-E#2 PMFY-P20, P25, P32, P40VBM-ER3 PMFY-P20, P25, P32, P40VBM-ER4
Gas pipe	φ12.7(1/2")
Liquid pipe	φ6.35(1/4")

Unit: mm

	PMFY-P20, P25VBM-E PMFY-P20, P25VBM-E <sub>1</sub> PMFY-P20, P25VBM-E#2 PMFY-P20, P25VBM-ER3 PMFY-P20, P25VBM-ER4	PMFY-P32, P40VBM-E PMFY-P32, P40VBM-E <sub>1</sub> PMFY-P32, P40VBM-E#2 PMFY-P32, P40VBM-ER3 PMFY-P32, P40VBM-ER4
Capillary tube *1	O.D.φ4.6 × I.D.φ3.4 × ℓ 200	O.D.φ3.6 × I.D.φ2.4 × ℓ 200
Capillary tube *2	O.D.φ3.6 × I.D.φ2.4 × ℓ 80	

## 8-1. HOW TO CHECK THE PARTS

PMFY-P20VBM-E

PMFY-P25VBM-E

PMFY-P32VBM-E

PMFY-P40VBM-E

PMFY-P20VBM-E<sub>1</sub>PMFY-P25VBM-E<sub>1</sub>PMFY-P32VBM-E<sub>1</sub>PMFY-P40VBM-E<sub>1</sub>

PMFY-P20VBM-E#2

PMFY-P25VBM-E#2

PMFY-P32VBM-E#2

PMFY-P40VBM-E#2

PMFY-P20VBM-ER3

PMFY-P25VBM-ER3

PMFY-P32VBM-ER3

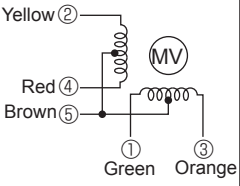
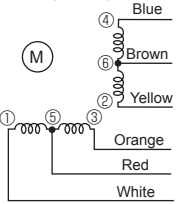
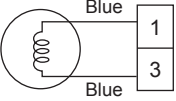
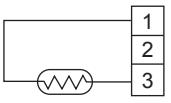
PMFY-P40VBM-ER3

PMFY-P20VBM-ER4

PMFY-P25VBM-ER4

PMFY-P32VBM-ER4

PMFY-P40VBM-ER4

Parts name	Check points															
Room temperature thermistor (TH21) Liquid pipe temperature thermistor (TH22) Gas pipe temperature thermistor (TH23)	Disconnect the connector then measure the resistance with a tester. (At the ambient temperature 10°C - 30°C) <table border="1" style="margin-top: 10px;"> <thead> <tr> <th>Normal</th> <th>Abnormal</th> </tr> </thead> <tbody> <tr> <td>4.3kΩ~9.6kΩ</td> <td>Open or short</td> </tr> </tbody> </table> Refer to the next page for the details.		Normal	Abnormal	4.3kΩ~9.6kΩ	Open or short										
Normal	Abnormal															
4.3kΩ~9.6kΩ	Open or short															
Vane motor (MV) 	Measure the resistance between the terminals with a tester. (At the ambient temperature 20°C - 30°C) <table border="1" style="margin-top: 10px;"> <thead> <tr> <th>Connector</th> <th>Normal</th> <th>Abnormal</th> </tr> </thead> <tbody> <tr> <td>Brown — Yellow</td> <td rowspan="4">380Ω ±7%</td> <td rowspan="4">Open or short</td> </tr> <tr> <td>Brown — Red</td> </tr> <tr> <td>Brown — Orange</td> </tr> <tr> <td>Brown — Green</td> </tr> </tbody> </table>		Connector	Normal	Abnormal	Brown — Yellow	380Ω ±7%	Open or short	Brown — Red	Brown — Orange	Brown — Green					
Connector	Normal	Abnormal														
Brown — Yellow	380Ω ±7%	Open or short														
Brown — Red																
Brown — Orange																
Brown — Green																
Linear expansion valve (LEV) 	Disconnect the connector then measure the resistance valve with a tester. Refer to the next page for a detail. <table border="1" style="margin-top: 10px;"> <thead> <tr> <th colspan="4">Normal</th> <th>Abnormal</th> </tr> </thead> <tbody> <tr> <td>(1)-(5) White-Red</td> <td>(2)-(6) Yellow-Brown</td> <td>(3)-(5) Orange-Red</td> <td>(4)-(6) Blue-Brown</td> <td rowspan="2">Open or short</td> </tr> <tr> <td colspan="4" style="text-align: center;">200Ω ±10%</td> </tr> </tbody> </table> Refer to the next page for the details.		Normal				Abnormal	(1)-(5) White-Red	(2)-(6) Yellow-Brown	(3)-(5) Orange-Red	(4)-(6) Blue-Brown	Open or short	200Ω ±10%			
Normal				Abnormal												
(1)-(5) White-Red	(2)-(6) Yellow-Brown	(3)-(5) Orange-Red	(4)-(6) Blue-Brown	Open or short												
200Ω ±10%																
Drain pump (DP) 	Measure the resistance between the terminals with a tester. (At the ambient temperature 20°C) <table border="1" style="margin-top: 10px;"> <thead> <tr> <th>Normal</th> <th>Abnormal</th> </tr> </thead> <tbody> <tr> <td>400Ω~480Ω</td> <td>Open or short</td> </tr> </tbody> </table>		Normal	Abnormal	400Ω~480Ω	Open or short										
Normal	Abnormal															
400Ω~480Ω	Open or short															
Drain sensor (DS) 	Measure the resistance after 3 minutes have passed since the power supply was intercepted. (At the ambient temperature 0°C - 60°C) <table border="1" style="margin-top: 10px;"> <thead> <tr> <th>Normal</th> <th>Abnormal</th> </tr> </thead> <tbody> <tr> <td>0.6kΩ~6.0kΩ</td> <td>Open or short</td> </tr> </tbody> </table> Refer to the next page for the details.		Normal	Abnormal	0.6kΩ~6.0kΩ	Open or short										
Normal	Abnormal															
0.6kΩ~6.0kΩ	Open or short															

### <Thermistor Characteristic graph>

Thermistor for lower temperature

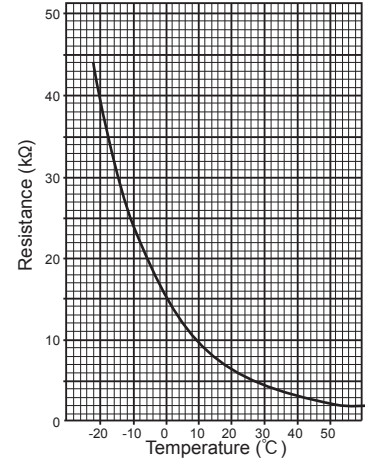
Room temperature thermistor (TH21)  
Liquid pipe temperature thermistor (TH22)  
Gas pipe temperature thermistor (TH23)

Thermistor  $R_0=15k\Omega \pm 3\%$   
Fixed number of  $B=3480 \pm 2\%$

$$R_t = 15 \exp \left\{ 3480 \left( \frac{1}{273+t} - \frac{1}{273} \right) \right\}$$

0°C : 15kΩ  
10°C : 9.6kΩ  
20°C : 6.3kΩ  
25°C : 5.4kΩ  
30°C : 4.3kΩ  
40°C : 3.0kΩ

< Thermistor for lower temperature >



Thermistor for lower temperature

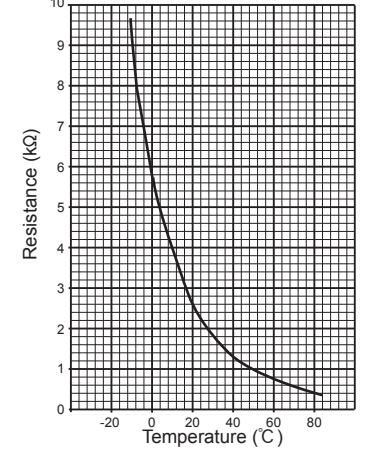
Drain sensor (DS)

Thermistor  $R_0=6.0k\Omega \pm 3\%$   
Fixed number of  $B=3390 \pm 2\%$

$$R_t = 6 \exp \left\{ 3390 \left( \frac{1}{273+t} - \frac{1}{273} \right) \right\}$$

0°C : 6 kΩ  
10°C : 3.9kΩ  
20°C : 2.6kΩ  
25°C : 2.2kΩ  
30°C : 1.8kΩ  
40°C : 1.3kΩ

< Thermistor for drain sensor >

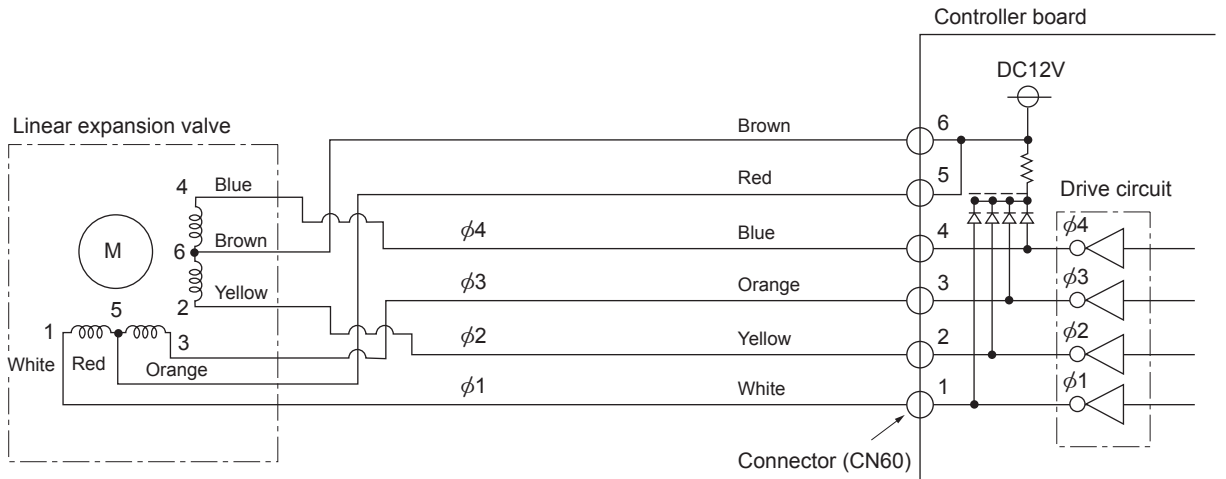


### Linear expansion valve

#### ① Operation summary of the linear expansion valve

- Linear expansion valve open/close through stepping motor after receiving the pulse signal from the indoor controller board.
- Valve position can be changed in proportion to the number of pulse signal.

<Connection between the indoor controller board and the linear expansion valve>



Note : Since the number of the connector at the controller board side and the relay connector are different, follow the colour of the lead wire.

### <Output pulse signal and the valve operation>

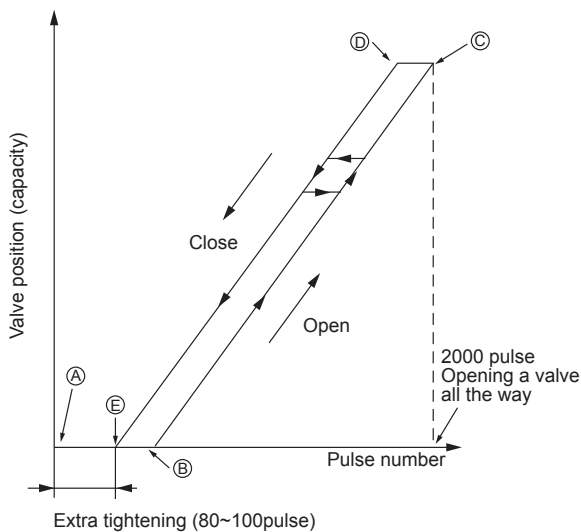
Output (Phase)	Output			
	1	2	3	4
$\phi 1$	ON	OFF	OFF	ON
$\phi 2$	ON	ON	OFF	OFF
$\phi 3$	OFF	ON	ON	OFF
$\phi 4$	OFF	OFF	ON	ON

Closing a valve : 1 → 2 → 3 → 4 → 1  
 Opening a valve : 4 → 3 → 2 → 1 → 4

The output pulse shifts in above order.

- When linear expansion valve operation stops, all output phase become OFF.
- At phase interruption or when phase does not shift in order, motor does not rotate smoothly and motor will lock and vibrate.

### ② Linear expansion valve operation



- When the switch is turned on, 2200 pulse closing valve signal will be send till it goes to ① point in order to define the valve position.
- When the valve move smoothly, there is no sound or vibration occurring from the linear expansion valve : however, when the pulse number moves from ⑤ to ① or when the valve is locked, more sound can be heard than normal situation.
- Sound can be detected by placing the ear against the screw driver handle while putting the screw driver to the linear expansion valve.

### ③ Troubleshooting

Symptom	Check points	Countermeasures
Operation circuit failure of the micro processor	Disconnect the connector on the controller board, then connect LED for checking.  Pulse signal will be sent out for 10 seconds as soon as the main switch is turned on. If there is LED with lights on or lights off, it means the operation circuit is abnormal.	Exchange the indoor controller board at drive circuit failure.
Linear expansion valve mechanism is locked.	Motor will idle and make ticking noise when motor is operated while the linear expansion valve is locked. This ticking sound is the sign of the abnormality.	Exchange the linear expansion valve.
Short or breakage of the motor coil of the linear expansion valve	Measure the resistance between the each coil (red-white, red-orange, brown-yellow, brown-blue) with a tester. It is normal if the resistance is in the range of 200 Ω ± 10%.	Exchange the linear expansion valve.
Valve does not close completely (thermistor leaking).	To check the linear expansion valve, operate the indoor unit in fan mode and at the same time operate other indoor units in cooling mode, then check the pipe temperature <liquid pipe temperature> of the indoor unit by the outdoor multi controller board operation monitor. During fan operation, linear expansion valve is closed completely and if there are some leaking, detecting temperature of the thermistor will go lower. If the detected temperature is much lower than the temperature indicated in the remote controller, it means the valve is not closed all the way. It is not necessary to exchange the linear expansion valve, if the leakage is small and not making any trouble.	If large amount of refrigerant is leaked, exchange the linear expansion valve.
Wrong connection of the connector or contact failure	Check the color of lead wire and missing terminal of the connector.	Disconnect the connector at the controller board, then check the continuity.



## 8-2. TROUBLESHOOTING

Check method of indoor fan motor (fan motor / controller board)

### ① Notes

- High voltage is applied to the connector (FAN)(CNMF1, 2) for the fan motor. Pay attention to the service.
- Do not pull out the connector (FAN)(CNMF1, 2) for the motor with the power supply on, doing so may result in damage to the board.

(FAN)

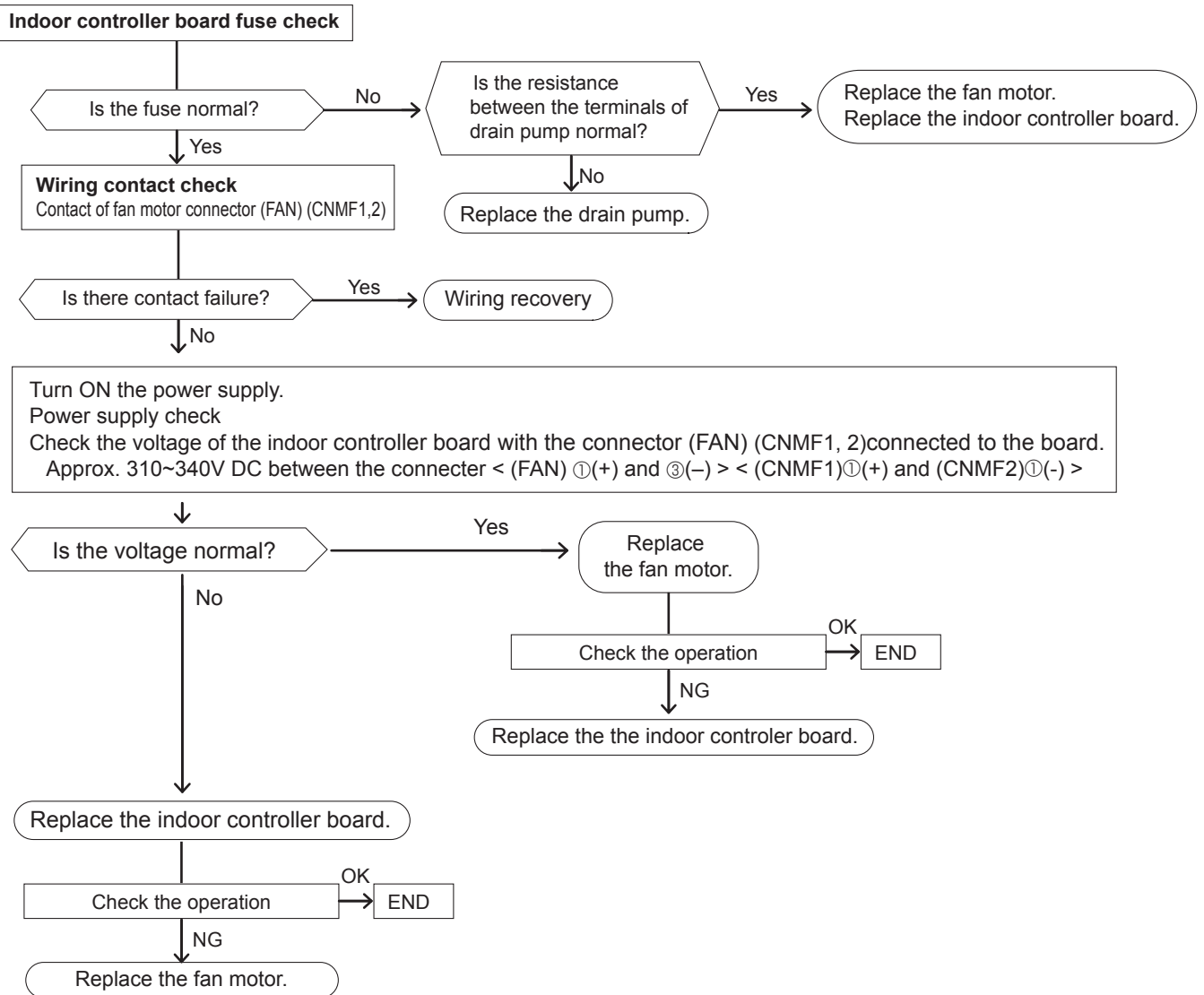
PMFY-P20/25/32/40VBM-E      PMFY-P20/25/32/40VBM-E<sub>1</sub>

(CNMF1, 2)

PMFY-P20/25/32/40VBM-E#2    PMFY-P20/25/32/40VBM-ER3    PMFY-P20/25/32/40VBM-ER4

### ② Self check

Symptom : The indoor fan can not rotate.



### 8-3. FUNCTION OF DIP SWITCH

PMFY-P20VBM-E  
 PMFY-P20VBM-E<sub>1</sub>  
 PMFY-P20VBM-E#2  
 PMFY-P20VBM-ER3  
 PMFY-P20VBM-ER4

PMFY-P25VBM-E  
 PMFY-P25VBM-E<sub>1</sub>  
 PMFY-P25VBM-E#2  
 PMFY-P25VBM-ER3  
 PMFY-P25VBM-ER4




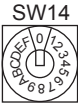
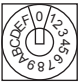


PMFY-P32VBM-E  
 PMFY-P32VBM-E<sub>1</sub>  
 PMFY-P32VBM-E#2  
 PMFY-P32VBM-ER3  
 PMFY-P32VBM-ER4

PMFY-P40VBM-E  
 PMFY-P40VBM-E<sub>1</sub>  
 PMFY-P40VBM-E#2  
 PMFY-P40VBM-ER3  
 PMFY-P40VBM-ER4

The black square (■) indicates a switch position.

Switch	Pole	Function	Operation by switch		Effective timing	Remarks																																													
			ON	OFF																																															
SW1 Mode Selection	1	Thermistor <Room temperature detection> position	Built-in remote controller	Indoor unit	Under suspension	<div style="border: 1px solid black; padding: 2px;">Address board</div> <p>&lt;Initial setting&gt;</p> <table style="border-collapse: collapse; margin-left: 20px;"> <tr> <td style="padding: 2px;">ON</td> <td style="width: 10px; height: 10px; background-color: black;"></td> <td style="width: 10px; height: 10px; background-color: black;"></td> <td style="width: 10px; height: 10px; background-color: black;"></td> <td style="width: 10px; height: 10px; background-color: black;"></td> <td style="width: 10px; height: 10px; background-color: black;"></td> <td style="width: 10px; height: 10px; background-color: black;"></td> <td style="width: 10px; height: 10px; background-color: black;"></td> <td style="width: 10px; height: 10px; background-color: black;"></td> <td style="width: 10px; height: 10px; background-color: black;"></td> </tr> <tr> <td style="padding: 2px;">OFF</td> <td style="width: 10px; height: 10px; background-color: white;"></td> <td style="width: 10px; height: 10px; background-color: white;"></td> <td style="width: 10px; height: 10px; background-color: white;"></td> <td style="width: 10px; height: 10px; background-color: white;"></td> <td style="width: 10px; height: 10px; background-color: white;"></td> <td style="width: 10px; height: 10px; background-color: white;"></td> <td style="width: 10px; height: 10px; background-color: white;"></td> <td style="width: 10px; height: 10px; background-color: white;"></td> <td style="width: 10px; height: 10px; background-color: white;"></td> </tr> <tr> <td colspan="10" style="text-align: center; padding: 2px;">1 2 3 4 5 6 7 8 9 10</td> </tr> </table> <p>*1</p> <table border="1" style="border-collapse: collapse; margin-left: 20px;"> <tr> <td style="padding: 2px;">SW 1-7</td> <td style="padding: 2px;">SW 1-8</td> <td style="padding: 2px;">SW 1-8</td> </tr> <tr> <td style="padding: 2px;">OFF</td> <td style="padding: 2px;">OFF</td> <td style="padding: 2px;">Extra low</td> </tr> <tr> <td style="padding: 2px;">ON</td> <td style="padding: 2px;">OFF</td> <td style="padding: 2px;">Low</td> </tr> <tr> <td style="padding: 2px;">OFF</td> <td style="padding: 2px;">ON</td> <td style="padding: 2px;">Setting air flow</td> </tr> <tr> <td style="padding: 2px;">ON</td> <td style="padding: 2px;">ON</td> <td style="padding: 2px;">stop</td> </tr> </table>	ON										OFF										1 2 3 4 5 6 7 8 9 10										SW 1-7	SW 1-8	SW 1-8	OFF	OFF	Extra low	ON	OFF	Low	OFF	ON	Setting air flow	ON	ON	stop
	ON																																																		
	OFF																																																		
	1 2 3 4 5 6 7 8 9 10																																																		
	SW 1-7	SW 1-8	SW 1-8																																																
	OFF	OFF	Extra low																																																
	ON	OFF	Low																																																
	OFF	ON	Setting air flow																																																
	ON	ON	stop																																																
	2	Filter clogging detection	Provided	Not provided																																															
3	Filter cleaning sign	2,500h	100h																																																
4	Fresh air intake	Effective	Not effective																																																
5	Switching remote display	Thermo ON signal indication	Fan output indication																																																
6	Humidifier control	Fan operation at Heating mode	Thermo On operation at heating mode																																																
7	Air flow at	Low *1	Extra low *1																																																
8	Heat thermo OFF	Setting air flow	Depends on SW1-7																																																
9	Auto restart function	Effective	Not effective																																																
10	Power source ON/OFF	Effective	Not effective																																																
SW2 Capacity code setting	1~6	Capacity		SW 2		Before power supply ON	<div style="border: 1px solid black; padding: 2px;">Indoor controller board</div> <p>&lt;Initial setting&gt;</p> <p>Set for each capacity.</p>																																												
		P20	ON OFF	P32	ON OFF																																														
		P25	ON OFF	P40	ON OFF																																														
		1 2 3 4 5 6																																																	
SW3 Function Selection	1	Heat pump / Cool only	Cooling only	Heat pump	Under suspension	<div style="border: 1px solid black; padding: 2px;">Indoor controller board</div> <p>Set while the unit is off.</p> <p>&lt;Initial setting&gt;</p> <table style="border-collapse: collapse; margin-left: 20px;"> <tr> <td style="padding: 2px;">ON</td> <td style="width: 10px; height: 10px; background-color: black;"></td> <td style="width: 10px; height: 10px; background-color: black;"></td> <td style="width: 10px; height: 10px; background-color: black;"></td> <td style="width: 10px; height: 10px; background-color: black;"></td> <td style="width: 10px; height: 10px; background-color: black;"></td> <td style="width: 10px; height: 10px; background-color: black;"></td> <td style="width: 10px; height: 10px; background-color: black;"></td> <td style="width: 10px; height: 10px; background-color: black;"></td> <td style="width: 10px; height: 10px; background-color: black;"></td> </tr> <tr> <td style="padding: 2px;">OFF</td> <td style="width: 10px; height: 10px; background-color: white;"></td> <td style="width: 10px; height: 10px; background-color: white;"></td> <td style="width: 10px; height: 10px; background-color: white;"></td> <td style="width: 10px; height: 10px; background-color: white;"></td> <td style="width: 10px; height: 10px; background-color: white;"></td> <td style="width: 10px; height: 10px; background-color: white;"></td> <td style="width: 10px; height: 10px; background-color: white;"></td> <td style="width: 10px; height: 10px; background-color: white;"></td> <td style="width: 10px; height: 10px; background-color: white;"></td> </tr> <tr> <td colspan="10" style="text-align: center; padding: 2px;">1 2 3 4 5 6 7 8 9 10</td> </tr> </table> <p>*2 At cooling mode, each angle can be used only 1 hour.</p> <p>*3 Please do not change SW3-9 and SW3-10. See 6. WIRING DIAGRAM.</p> <p>*4 Second setting means first setting.</p>	ON										OFF										1 2 3 4 5 6 7 8 9 10																								
	ON																																																		
	OFF																																																		
	1 2 3 4 5 6 7 8 9 10																																																		
	2	Louver	Available	Not available																																															
	3	Vane	Available	Not available																																															
	4	Vane swing function	Available	Not available																																															
	5	Vane horizontal angle	Second setting *4	First setting																																															
	6	Vane cooling limit angle setting *2	Horizontal angle	Down B, C																																															
	7	Indoor linear expansion valve opening change	Effective	Not effective																																															
8	Heating 4deg. up	Not effective	Effective																																																
9	Target superheat setting *3	—	—																																																
10	Target sub cool setting *3	—	—																																																
SW4 Unit Selection	1~5	PMFY-P-VBM-E	PMFY-P-VBM-E <sub>1</sub>	PMFY-P-VBM-E#2/ER3/ER4	Before power supply ON	<div style="border: 1px solid black; padding: 2px;">Indoor controller board</div>																																													
		ON OFF	ON OFF	ON OFF																																															
		1 2 3 4 5																																																	

The black square (■) indicates a switch position.

Switch	Pole	Operation by switch	Effective timing	Remarks
SW11 1s digit address setting SW12 10ths digit address setting	Rotary switch	  <p>How to set addresses Example : If address is "3", remain SW12 (for over 10) at "0", and match SW11 (for 1 to 9) with "3".</p>	Before power supply ON	<div style="border: 1px solid black; padding: 2px; display: inline-block;">Address board</div>  <Initial setting> 
SW14 Branch No. setting	Rotary switch	 <p>How to set branch numbers SW14 (Series R2 only) Match the indoor unit's refrigerant pipe with the BC controller's end connection number. Remain other than series R2 at "0".</p>		<div style="border: 1px solid black; padding: 2px; display: inline-block;">Address board</div>  <Initial setting> SW14 
SW5 Voltage Selection	2	<p>220V      240V</p>  <p>If the unit is used at the 230V or 240V area, set the voltage to 240V. If the unit is used at the 220V, set the voltage to 220V.</p>		<div style="border: 1px solid black; padding: 2px; display: inline-block;">Address board</div>  <Initial setting> 220V      240V 

## 8-4. TEST POINT DIAGRAM

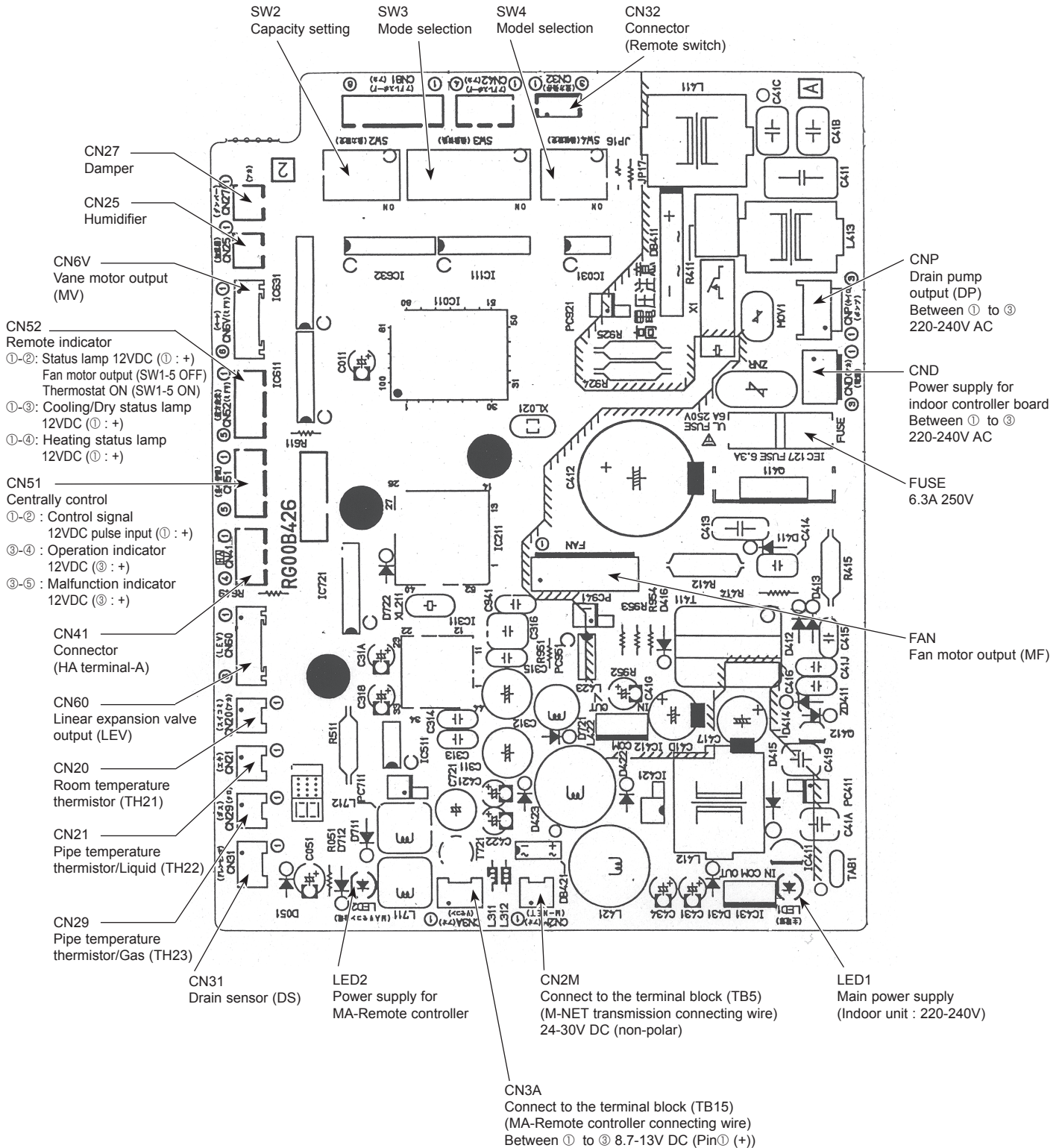
### 8-4-1. Indoor controller board

PMFY-P20VBM-E  
PMFY-P20VBM-E<sub>1</sub>

PMFY-P25VBM-E  
PMFY-P25VBM-E<sub>1</sub>

PMFY-P32VBM-E  
PMFY-P32VBM-E<sub>1</sub>

PMFY-P40VBM-E  
PMFY-P40VBM-E<sub>1</sub>

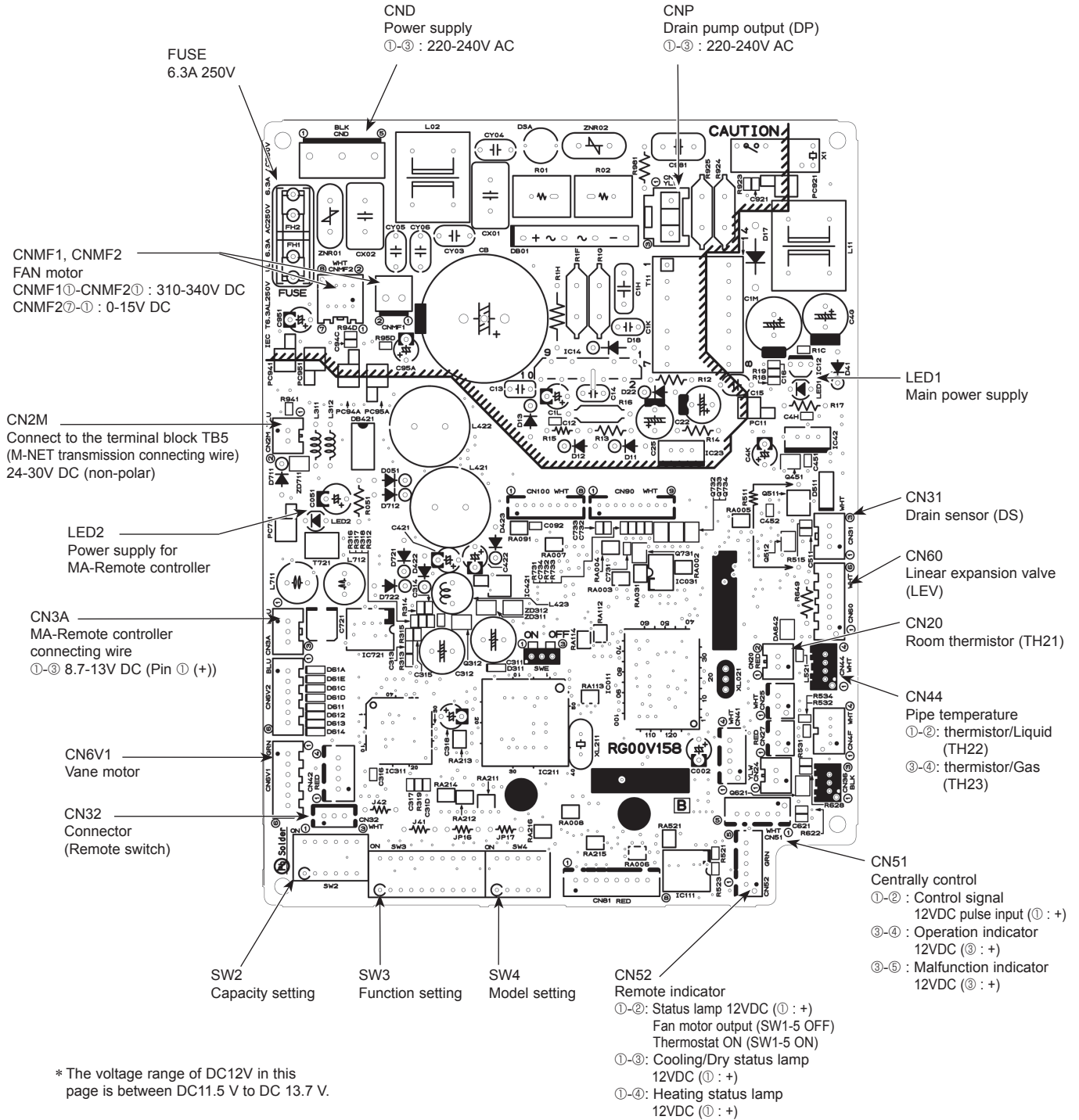


Indoor controller board  
 PMFY-P20VBM-E#2  
 PMFY-P20VBM-ER3  
 PMFY-P20VBM-ER4

PMFY-P25VBM-E#2  
 PMFY-P25VBM-ER3  
 PMFY-P25VBM-ER4

PMFY-P32VBM-E#2  
 PMFY-P32VBM-ER3  
 PMFY-P32VBM-ER4

PMFY-P40VBM-E#2  
 PMFY-P40VBM-ER3  
 PMFY-P40VBM-ER4

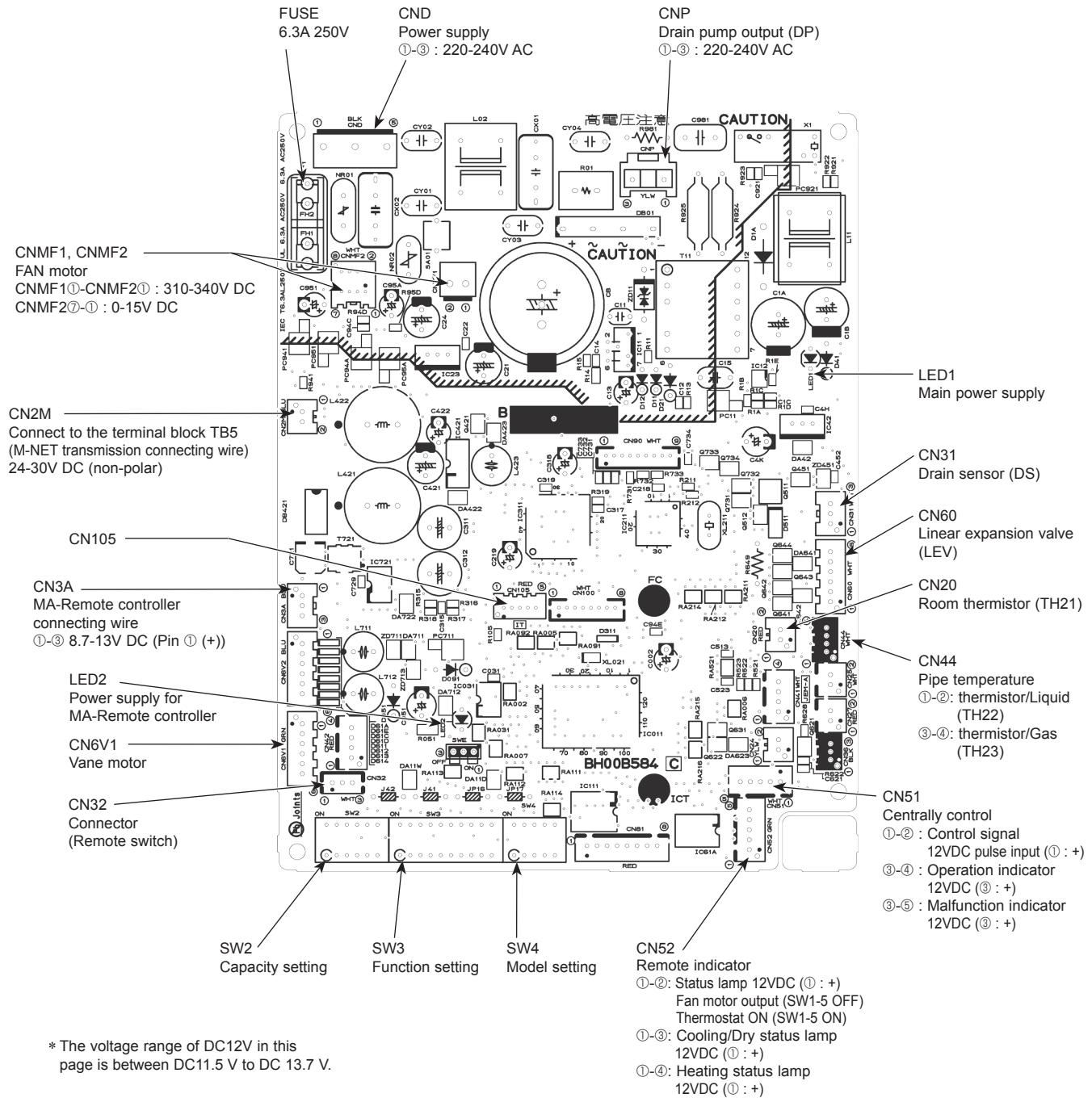


**Indoor controller board**  
**PMFY-P20VBM-E#2**  
**PMFY-P20VBM-ER3**  
**PMFY-P20VBM-ER4**

**PMFY-P25VBM-E#2**  
**PMFY-P25VBM-ER3**  
**PMFY-P25VBM-ER4**

**PMFY-P32VBM-E#2**  
**PMFY-P32VBM-ER3**  
**PMFY-P32VBM-ER4**

**PMFY-P40VBM-E#2**  
**PMFY-P40VBM-ER3**  
**PMFY-P40VBM-ER4**





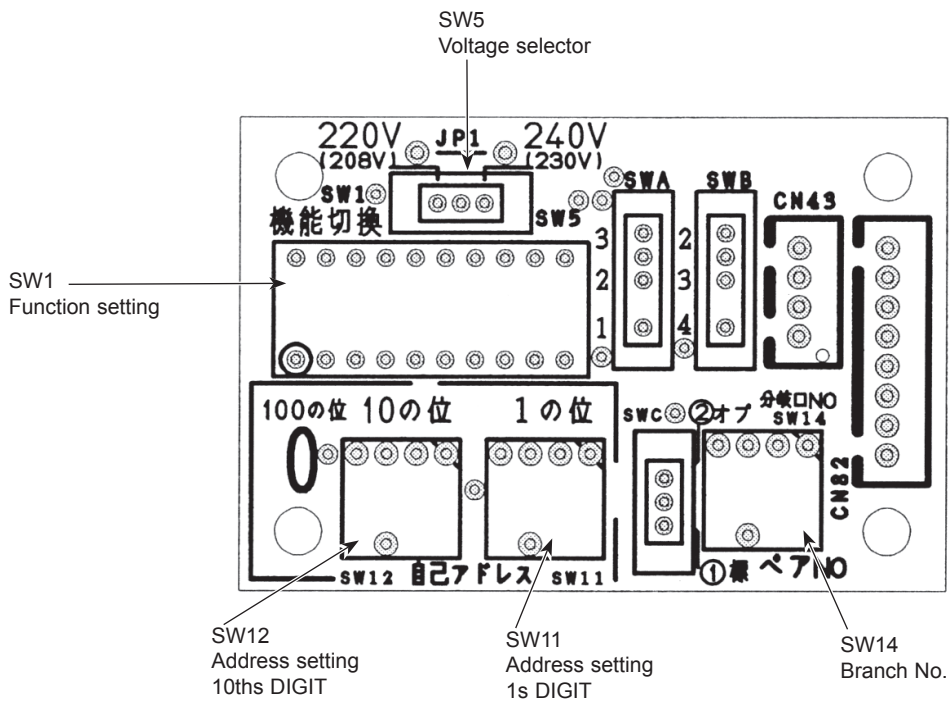
8-4-2. Address board

PMFY-P20VBM-E  
 PMFY-P20VBM-E<sub>1</sub>  
 PMFY-P20VBM-E#2  
 PMFY-P20VBM-ER3  
 PMFY-P20VBM-ER4

PMFY-P25VBM-E  
 PMFY-P25VBM-E<sub>1</sub>  
 PMFY-P25VBM-E#2  
 PMFY-P25VBM-ER3  
 PMFY-P25VBM-ER4

PMFY-P32VBM-E  
 PMFY-P32VBM-E<sub>1</sub>  
 PMFY-P32VBM-E#2  
 PMFY-P32VBM-ER3  
 PMFY-P32VBM-ER4

PMFY-P40VBM-E  
 PMFY-P40VBM-E<sub>1</sub>  
 PMFY-P40VBM-E#2  
 PMFY-P40VBM-ER3  
 PMFY-P40VBM-ER4



PMFY-P20VBM-E  
PMFY-P20VBM-E<sub>1</sub>  
PMFY-P20VBM-E#2  
PMFY-P20VBM-ER3  
PMFY-P20VBM-ER4

PMFY-P25VBM-E  
PMFY-P25VBM-E<sub>1</sub>  
PMFY-P25VBM-E#2  
PMFY-P25VBM-ER3  
PMFY-P25VBM-ER4

PMFY-P32VBM-E  
PMFY-P32VBM-E<sub>1</sub>  
PMFY-P32VBM-E#2  
PMFY-P32VBM-ER3  
PMFY-P32VBM-ER4

PMFY-P40VBM-E  
PMFY-P40VBM-E<sub>1</sub>  
PMFY-P40VBM-E#2  
PMFY-P40VBM-ER3  
PMFY-P40VBM-ER4

Be careful when removing heavy parts.

## OPERATING PROCEDURE

### 1. Removing the grille

#### Opening the air intake grille

- (1) Press the **PUSH** of the air intake grille. (See Figure 1)
- (2) Put your fingers on the both ends of nut of the air intake grille and put it down after the grille clicked.

#### Removing the air intake grille

- (1) Press the **PUSH** of the air intake grille, and pull down the both ends of nut with your fingers after the grille clicked. (See Figure 1)
- (2) Pull out the handle of air intake grille strongly toward you. (See Figure 2)
- (3) Draw the string of the air intake grille to prevent the air intake grille from dropping. (See Figure 3)

#### Checks before setting the grille in place

- (1) Before installing the grille, make sure the indoor unit is square with the ceiling opening (or parallel to the angle between the wall and the ceiling).
- (2) Check that the 4 points where the grille will be secured are in contact with the ceiling surface.
- (3) Check that the insulation for the refrigerant pipes, drainage pipes, etc. is in place and that wiring connections and arrangements are complete.

Figure 4

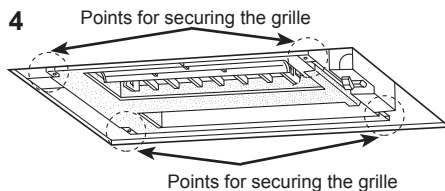
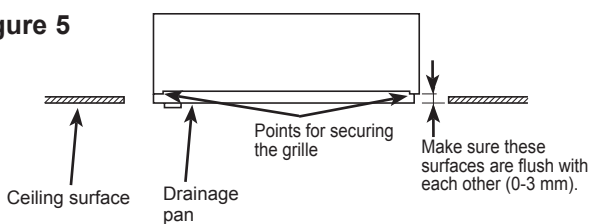


Figure 5



## PHOTOS/FIGURES

Photo 1

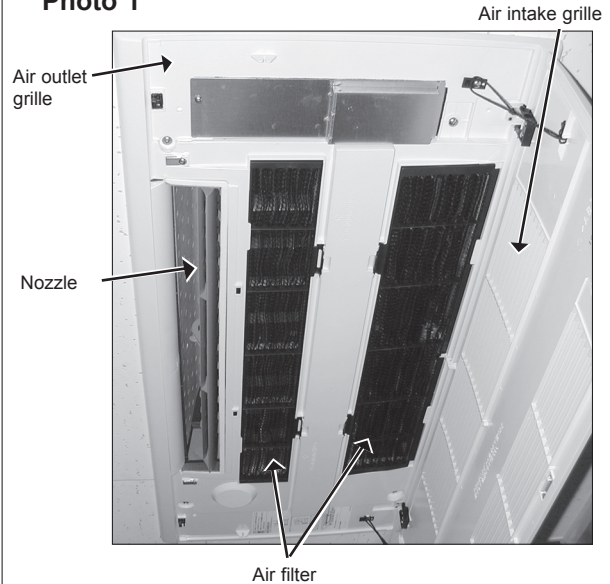


Figure 1

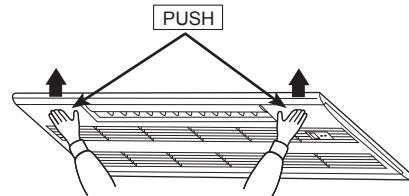


Figure 2

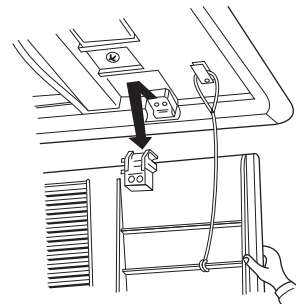
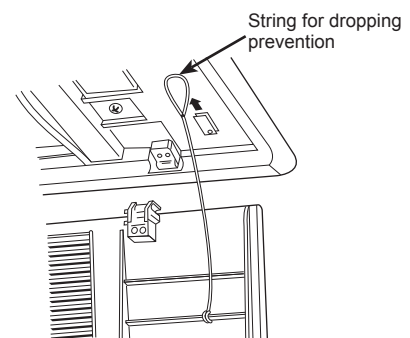


Figure 3





## OPERATING PROCEDURE

### Removing the grille

- (1) Open the intake grille by pressing **PUSH** of the air intake grille and remove the air filter (× 2). (See Figure 1)
- (2) Remove the screw cover in the middle of the air outlet. (See Figure 7)
- (3) Open the upper and lower flaps on the indoor unit completely. (See Figure 7)
- (4) Remove the securing screws (× 7).  
 (Ⓐ: M5 × 0.8 × 16, 6pcs)  
 (Ⓑ: 4 × 16, 1pc)
- (5) Remove the temporary holding tabs on the grille to the hooks on the indoor unit.

### Attaching the grille

- (1) Open the upper and lower flaps on the indoor unit completely.
- (2) Hook the temporary holding tabs on the front panel to the hooks on the indoor unit.
- (3) Adjust the grille so that it fits properly in the angle between the ceiling and the wall, and install the securing screws Ⓐ (supplied with this grille) in their 4 places at left and right, leaving them slightly loose.
- (4) Tighten the securing bolts Ⓐ and securing screws Ⓑ in the centre 3 places. (See Figure 6)
- (5) Tighten the securing bolts Ⓐ in the 4 places at left and right.  
 \* Make sure there are no gaps between the indoor unit and the grille, and between the grille and the ceiling surface. If there are gaps, the wind may come in and it may cause water to drip. (See Figure 8)  
 \* Tighten the securing bolts Ⓐ and securing screws Ⓑ completely.
- (6) Replace the air filter and screw cover, and press **PUSH** of the intake grille until you hear it snap into place.

### Checks after setting the grille

- (1) Check that there are no gaps between the indoor unit and the grille, between the grille and the ceiling surface. If there are gaps, the wind may come in and condensation may result.
- (2) Check that the air filter is in place.

## PHOTOS/FIGURES

Figure 6

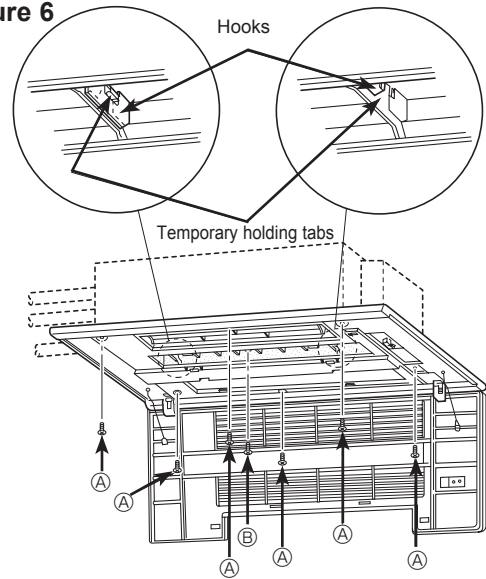


Figure 7

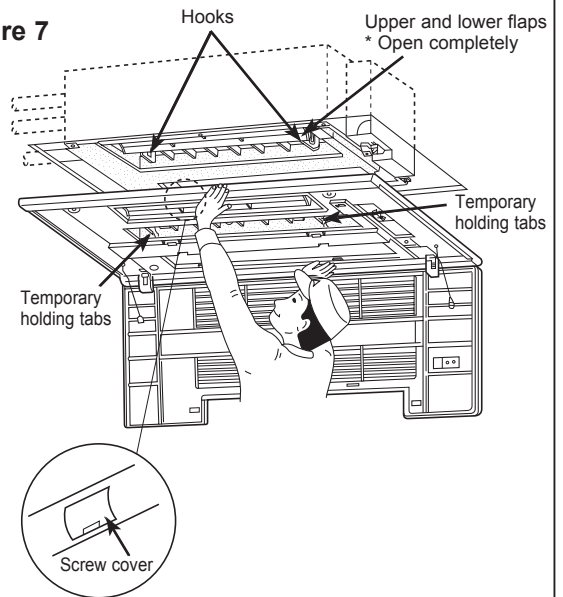
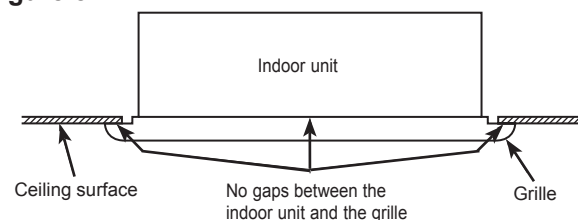


Figure 8

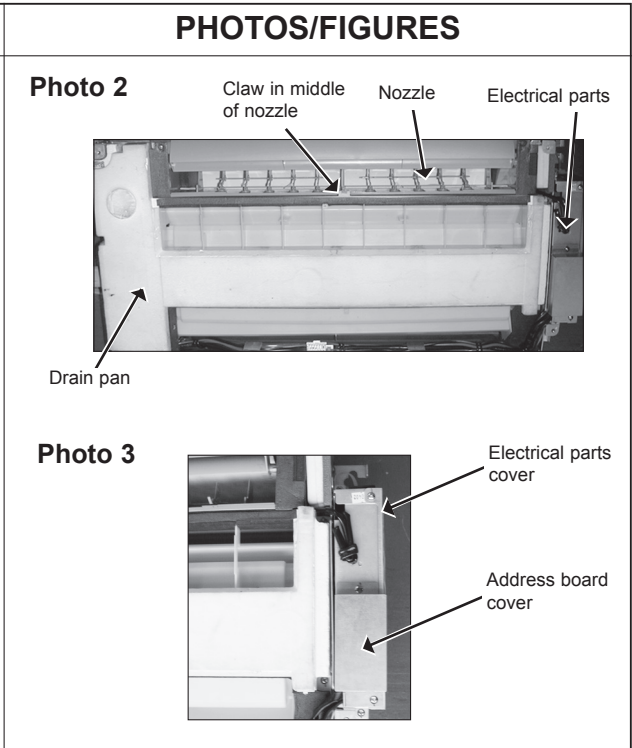




**OPERATING PROCEDURE**

**2. Removing the electrical parts box**

- (1) Remove the grille.
- (2) Remove the address board cover.
- (3) Remove the electrical parts cover.
- (4) Disconnect the connectors of fan motor, vane motor, drain pump, room temperature thermistor, pipe temperature thermistor (Liquid, Gas), and drain sensor on the electrical controller board.
- (5) Disconnect the lead wire and earth wire from terminal block.
- (6) Remove the electrical parts box.

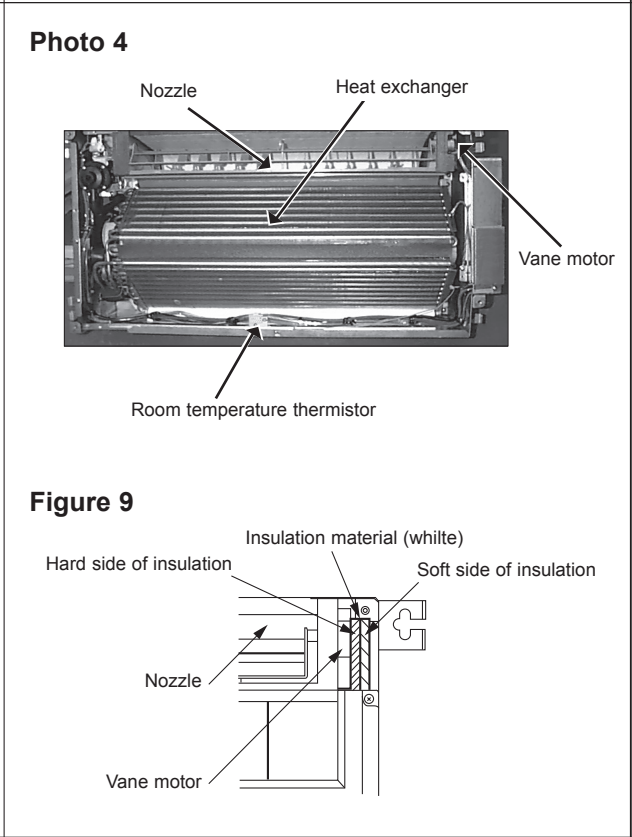


**3. Removing the nozzle**

**Note when removing the nozzle**

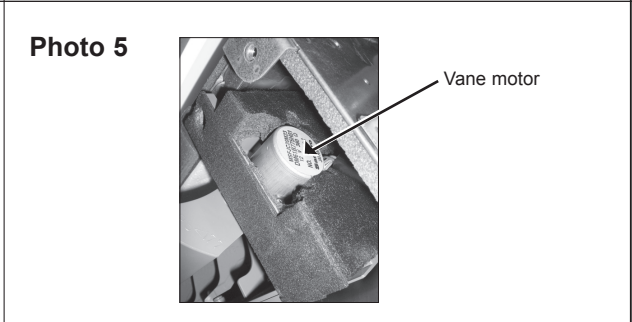
- The white insulation material which prevents water drop is mounted to the side of vane motor. Remove the insulation material before removing nozzle. (See Figure 9)
- After completing the service, re-mount the insulation material as before as shown in right figure.
- After service, mount the double layer insulation without fail. The hard material side should be faced to the nozzle. (See Figure 9)

- (1) Remove the grille.
- (2) Remove the room temperature thermistor.
- (3) Unhook the claws in the middle of nozzle and remove the drain pan. (5 screws) (See Photo 2)
- (4) Remove the nozzle side of the heat exchanger. (2 screws)
- (5) Remove the address board cover. (See Photo 3)
- (6) Remove the electrical parts cover. (See Photo 3)
- (7) Disconnect the connector of vane motor.
- (8) Remove the insulation material (white) on the right side of nozzle.
- (9) Remove the nozzle. (6 screws)

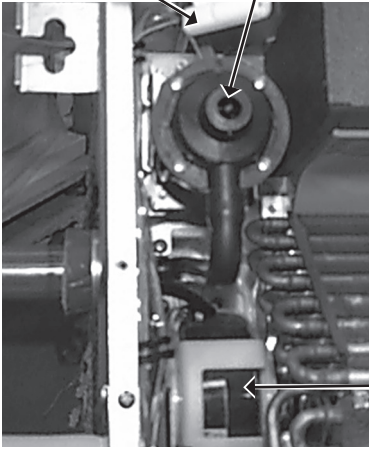
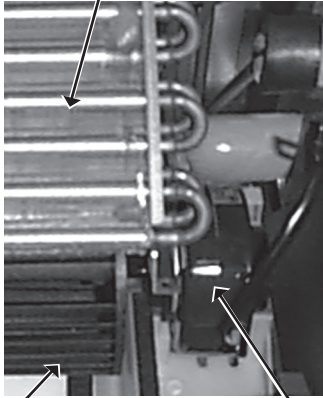


**4. Removing the vane motor**

- (1) Remove the nozzle. Refer to above-mentioned 3. Removing the nozzle.
- (2) Remove the vane motor from the nozzle.



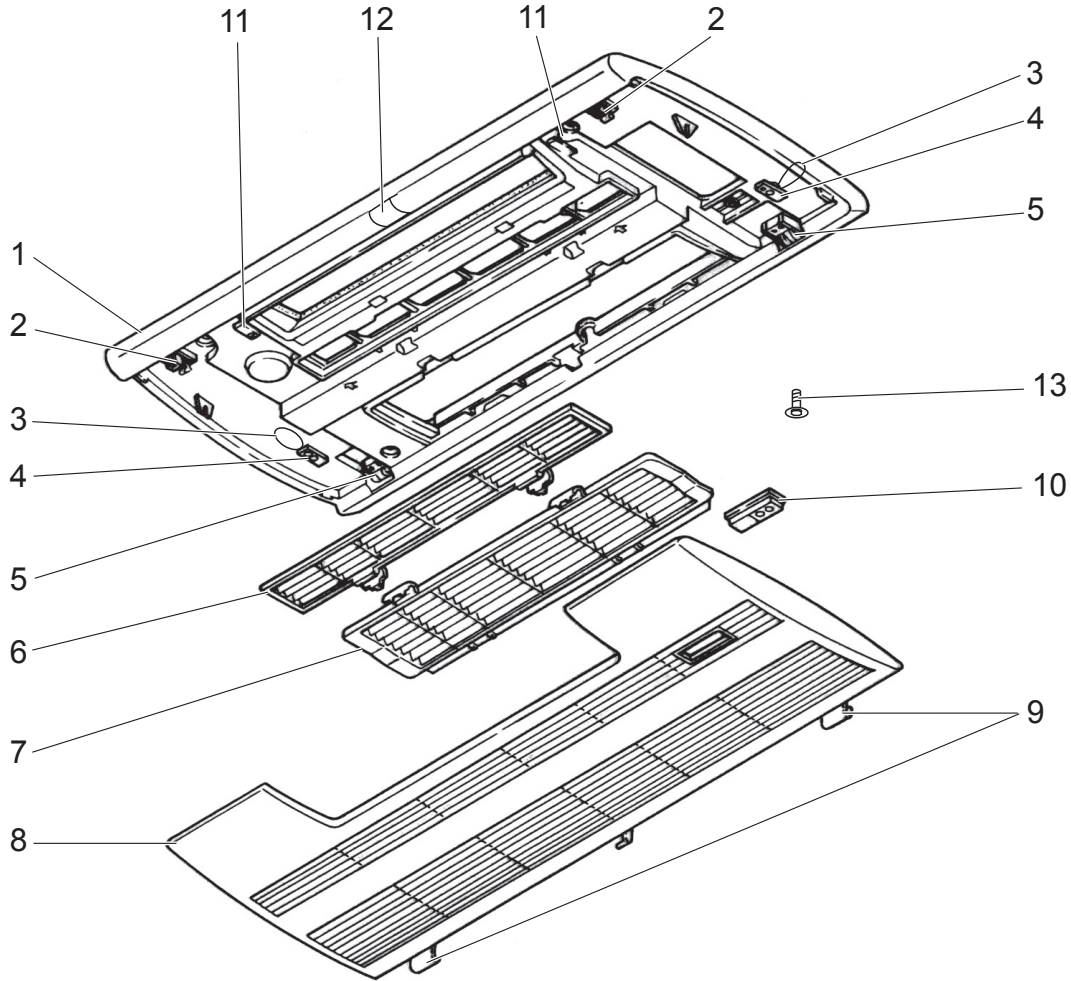


OPERATING PROCEDURE	PHOTOS/FIGURES
<p><b>5. Removing the drain pump</b></p> <ol style="list-style-type: none"> <li>(1) Remove the grille.</li> <li>(2) Unhook the claw in the middle of nozzle and remove the drain pan. (See Photo 2)</li> <li>(3) Remove the address board cover. (See Photo 3)</li> <li>(4) Remove the electrical parts cover. (See Photo 3)</li> <li>(5) Disconnect the connector of drain pump.</li> <li>(6) Remove the drain hose.</li> <li>(7) Remove the drain pump. (2 screws)</li> </ol>	<p><b>Photo 6</b></p> 
<p><b>6. Removing the fan motor and line flow fan</b></p> <ol style="list-style-type: none"> <li>(1) Remove the grille.</li> <li>(2) Unhook the claw in the middle of nozzle and remove the drain pan. (See Photo 2)</li> <li>(3) Unscrew 2 screws at the nozzle side of the heat exchanger.</li> <li>(4) Remove the address board cover. (See Photo 3)</li> <li>(5) Remove the electrical parts cover. (See Photo 3)</li> <li>(6) Disconnect the connector of vane motor, fan motor and drain pump.</li> <li>(7) Remove the nozzle side of the heat exchanger. (2 screws)</li> <li>(8) Remove the nozzle.</li> <li>(9) Remove the drain pump.</li> <li>(10) Unscrew 2 screws in the motor support.</li> <li>(11) Remove the fan motor and line flow fan (The fan motor and line flow fan can be removed without removing the heat exchanger.)</li> </ol>	<p><b>Photo 7</b></p> 
<p><b>7. Removing the thermistor &lt;Intake temperature detector&gt;</b></p> <ol style="list-style-type: none"> <li>(1) Remove the grille.</li> <li>(2) Remove the address board cover. (See Photo 3)</li> <li>(3) Remove the electrical parts cover. (See Photo 3)</li> <li>(4) Remove the thermistor &lt;intake temperature detector&gt;.</li> <li>(5) Disconnect the lead wire from the cord clamp (5 points).</li> <li>(6) Disconnect the connector (CN20) on the indoor controller board.</li> </ol>	
<p><b>8. Removing the thermistor&lt;Liquid pipe temperature detector&gt; &lt;Gas pipe temperature detector&gt;</b></p> <ol style="list-style-type: none"> <li>(1) Remove the grille.</li> <li>(2) Remove the address board cover. (See Photo 3)</li> <li>(3) Remove the electrical parts cover. (See Photo 3)</li> <li>(4) Remove the drain pan.</li> <li>(5) Remove the thermistor &lt;Gas pipe temperature detector&gt; /&lt;Liquid pipe temperature detector&gt;.</li> <li>(6) Disconnect the lead wire from the cord clamp.</li> <li>(7) Disconnect the connector (CN21)/(CN29), (CN44) on the indoor controller board.</li> </ol> <p>Connector (CN21) / Liquid (VBM<sub>(1)</sub>)  (CN29) / Gas (VBM<sub>(1)</sub>)  (CN44) / Liquid and Gas (VBM#2, VBMR3, VBMR4)</p>	

**PANEL PARTS**

**PMP-40BM (FOR PMFY-P20/25/32/40VBM-E<sup>(1)</sup>)**

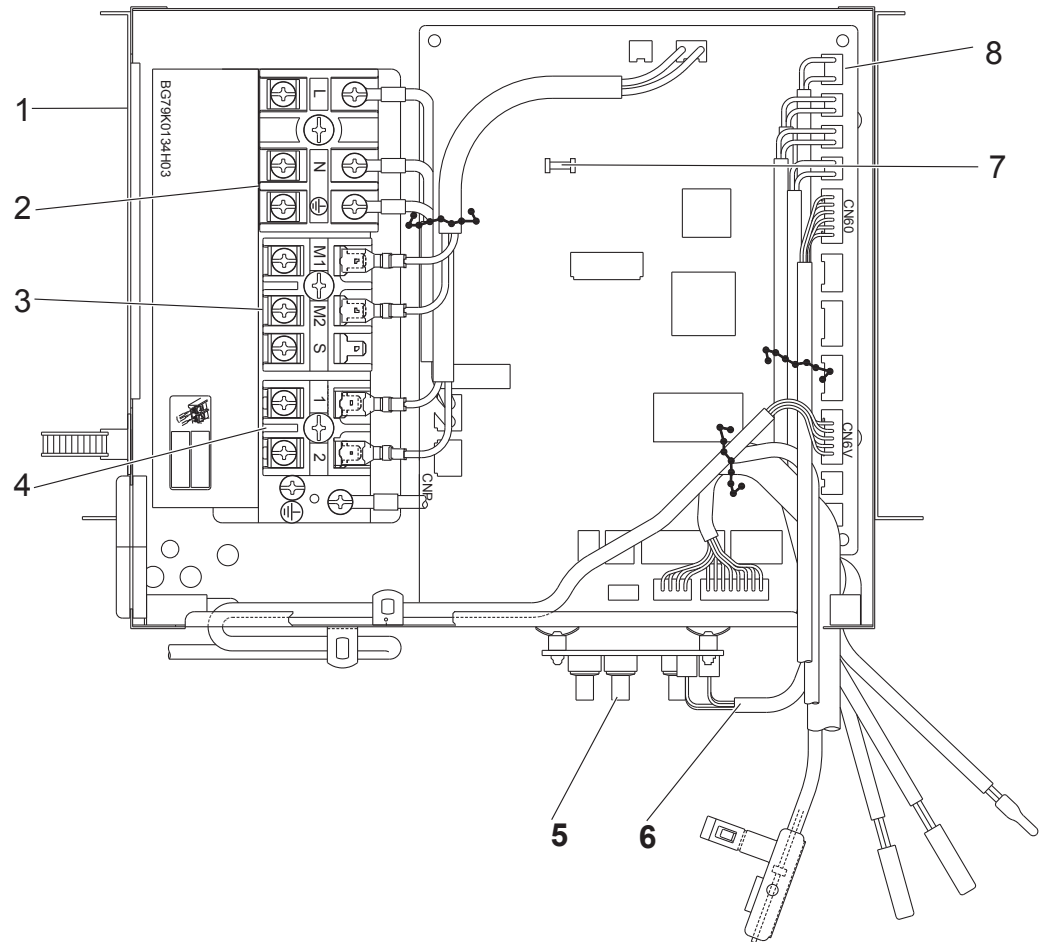
**PMP-40BMW (FOR PMFY-P20/25/32/40VBM-E#2, PMFY-P20/25/32/40VBM-ER3, PMFY-P20/25/32/40VBM-ER4)**



No.	Part No.	Part Name	Specification	Q'ty/set		Remarks (Drawing No.)	Wiring Diagram Symbol	Recommended Q'ty
				PMP-40BM	PMP-40BMW			
1	T7W E16 003	AIR OUTLET GRILLE		1				
	T7W E22 003	AIR OUTLET GRILLE			1			
2	R01 E01 055	LATCH		2	2			
3	—	HANGER		2	2	(DT88D360H03)		
4	R01 E01 099	PANEL HOOK		2	2			
5	R01 E07 054	GRILLE CATCH		2	2			
6	R01 E32 500	FILTER (S)		1	1			
7	R01 E33 500	FILTER (L)		1	1			
8	T7W E04 691	INTAKE GRILLE		1				
	T7W E06 691	INTAKE GRILLE			1			
9	R01 E06 054	GRILLE SHAFT		2	2			
10	R01 E01 648	RECEIVER COVER		1	1			
11	R01 E01 044	MAGNET		2	2			
12	R01 E04 096	SCREW CAP (WH)		1				
	R01 E07 096	SCREW CAP (WH)			1			
13	R01 E03 673	SCREW & WASHER		1	1	for PANEL		

## ELECTRICAL PARTS

PMFY-P20VBM-E  
 PMFY-P25VBM-E  
 PMFY-P32VBM-E  
 PMFY-P40VBM-E  
 PMFY-P20VBM-E<sub>1</sub>  
 PMFY-P25VBM-E<sub>1</sub>  
 PMFY-P32VBM-E<sub>1</sub>  
 PMFY-P40VBM-E<sub>1</sub>  
 PMFY-P20VBM-E#2  
 PMFY-P25VBM-E#2  
 PMFY-P32VBM-E#2  
 PMFY-P40VBM-E#2  
 PMFY-P20VBM-ER3  
 PMFY-P25VBM-ER3  
 PMFY-P32VBM-ER3  
 PMFY-P40VBM-ER3  
 PMFY-P20VBM-ER4  
 PMFY-P25VBM-ER4  
 PMFY-P32VBM-ER4  
 PMFY-P40VBM-ER4

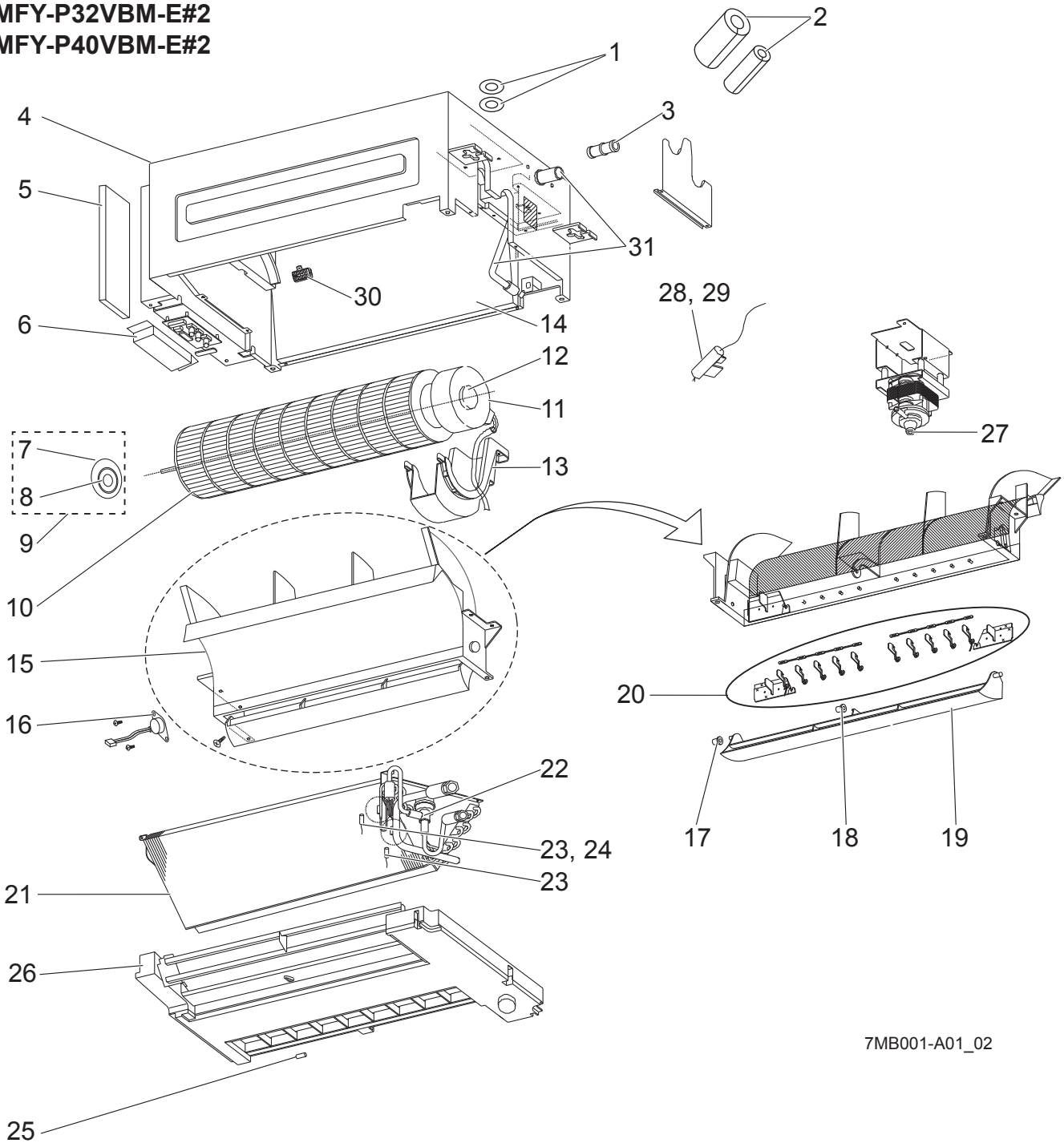


No.	Part No.	Part Name	Specification	Q'ty/set					Remarks (Drawing No.)	Wiring Diagram Symbol
				PMFY-P20/25/32/40						
				VBM-E	VBM-E <sub>1</sub>	VBM-E#2	VBM-ER3	VBM-ER4		
1	—	CONTROL BOX		1	1	1	1	1	(RG02B337G26)	
2	T7W E32 716	T.B./ L.N.E	3P (L,N,⊕)	1	1	1	1	1		TB2
3	T7W E35 716	T.B./ M1.M2.S	3P (M1,M2,S)	1	1	1	1	1		TB5
4	R01 E44 246	T.B./ 1.2	2P (1,2)	1	1	1	1	1		TB15
5	T7W E01 294	ADDRESS BOARD		1	1	1	1	1		A.B
6	R01 E10 304	ADDRESS CABLE(AB-IB)		1	1	1	1	1		
7	R01 E06 239	FUSE 6.3A 250V	6.3A 250V	1	1	1	1	1		FUSE
8	T7W E66 310	CONTROLLER BOARD		1	1					I.B
	R01 V84 310	CONTROLLER BOARD				1	1			I.B
	T7W C09 310	CONTROLLER BOARD						1		I.B

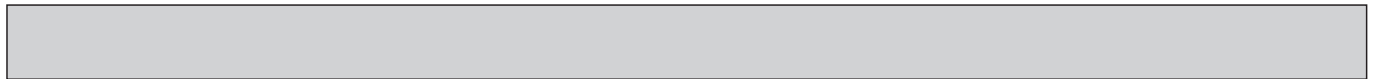


## FUNCTIONAL PARTS

PMFY-P20VBM-E	PMFY-P20VBM-ER3
PMFY-P25VBM-E	PMFY-P25VBM-ER3
PMFY-P32VBM-E	PMFY-P32VBM-ER3
PMFY-P40VBM-E	PMFY-P40VBM-ER3
PMFY-P20VBM-E <sub>1</sub>	PMFY-P20VBM-ER4
PMFY-P25VBM-E <sub>1</sub>	PMFY-P25VBM-ER4
PMFY-P32VBM-E <sub>1</sub>	PMFY-P32VBM-ER4
PMFY-P40VBM-E <sub>1</sub>	PMFY-P40VBM-ER4
PMFY-P20VBM-E#2	
PMFY-P25VBM-E#2	
PMFY-P32VBM-E#2	
PMFY-P40VBM-E#2	



7MB001-A01\_02



No.	Part No.	Part Name	Specification	Q'ty/set												Remarks (Drawing No.)	Wiring Diagram Symbol	
				PMFY-P														
				VBM-E		VBM-E1		VBM-E#2		VBM-ER3		VBM-ER4						
				20,25	32,40	20,25	32,40	20,25	32,40	20,25	32,40	20,25	32,40					
1	R01 E13 097	WASHERS SET												1	1			
2	R01 E05 660	PIPE COVERS SET												1	1			
3	R01 18J 523	JOINT SOCKET											1	1	1	1		
4	—	CABINET		1	1	1	1	1	1	1	1	1	1	1	1	(DT00A478GB8)		
5	—	CONTROL BOX COVER		1	1	1	1	1	1	1	1	1	1	1	1	(RG02B668H01)		
6	—	ADDRESS BOARD COVER		1	1	1	1	1	1	1	1	1	1	1	1	(RG02L277H02)		
7	R01 H3A 102	BEARING MOUNT		1	1	1	1	1	1	1	1							
8	R01 E04 103	SLEEVE BEARING		1	1	1	1	1	1	1	1							
9	T7W H00 103	BEARING												1	1	BEARING & MOUNT SET		
10	R01 E32 114	LINE FLOW FAN		1	1	1	1	1	1	1	1	1	1	1	1			
11	R01 E24 220	FAN MOTOR		1	1												MF	
	R01 E45 220	FAN MOTOR				1	1										MF	
	R01 E49 220	FAN MOTOR						1	1	1	1	1	1	1	1		MF	
12	R01 E13 105	RUBBER MOUNT		1	1	1	1	1	1	1	1	1	1	1	1	LEFT & RIGHT		
13	R01 E35 130	MOTOR SUPPORT		1	1	1	1	1	1	1	1	1	1	1	1			
14	R01 E05 110	CASING ASSY		1	1	1	1	1	1	1	1	1	1	1	1			
15	R01 H01 079	STABILIZER		1	1	1	1	1	1	1	1	1	1	1	1			
16	R01 E18 223	VANE MOTOR		1	1	1	1	1	1	1	1	1	1	1	1		MV	
17	R01 E02 092	VANE SLEEVE		1	1	1	1	1	1	1	1	1	1	1	1			
18	R01 E03 092	VANE SLEEVE		1	1	1	1	1	1	1	1	1	1	1	1			
19	R01 E16 002	VANE		1	1	1	1	1	1	1	1	1	1	1	1			
20	R01 E03 038	GUIDE VANES SET		1	1	1	1	1	1	1	1	1	1	1	1			
21	T7W H06 480	HEAT EXCHANGER		1		1												
	T7W H07 480	HEAT EXCHANGER			1		1											
	T7W R94 480	HEAT EXCHANGER						1		1			1					
	T7W R95 480	HEAT EXCHANGER							1		1			1				
22	R01 H06 401	LEV-4/ EFM		1	1	1	1	1	1	1	1	1	1	1	1		LEV	
23	R01 H16 202	THERMISTOR	LIQUID	1	1	1	1										TH22	
	R01 N15 202	THERMISTOR	LIQUID/GAS					1	1	1	1	1	1	1	1		TH22/23	
24	R01 H17 202	THERMISTOR	GAS	1	1	1	1										TH23	
25	R01 H12 202	THERMISTOR (ROOM)	ROOM	1	1	1	1	1	1	1	1	1	1	1	1		TH21	
26	R01 E30 529	DRAIN PAN		1	1	1	1	1	1	1	1	1	1	1	1			
27	T7W E09 355	DRAIN PUMP		1	1	1	1	1	1	1	1	1	1	1	1		DP	
28	R01 E11 266	DRAIN SENSOR		1	1	1	1	1	1	1	1	1	1	1	1		DS	
29	R01 32K 241	SENSOR HOLDER (DS)		1	1	1	1	1	1	1	1	1	1	1	1	for DS		
30	R01 E02 520	SENSOR COVER												1	1	for TH21		
31	R01 E05 527	DRAIN PIPE ASSY		1	1	1	1	1	1									
	R01 H10 527	DRAIN PIPE ASSY									1	1	1	1	1			

# CITY MULTI

## mitsubishi electric corporation

HEAD OFFICE : TOKYO BUILDING., 2-7-3, MARUNOUCHI, CHIYODA-KU, TOKYO100-8310, JAPAN

©Copyright 2004 MITSUBISHI ELECTRIC CORPORATION  
Issued: Mar. 2019 No. OC307 REVISED EDITION-F  
Issued: Dec. 2012 No. OC307 REVISED EDITION-E  
Issued: Oct. 2009 No. OC307 REVISED EDITION-D PDF 7  
Issued: Sep. 2008 No. OC307 REVISED EDITION-C PDF 7  
Issued: Jul. 2007 No. OC307 REVISED EDITION-B PDF 8  
Issued: Jul. 2006 No. OC307 REVISED EDITION-A PDF 8  
Published: Apr. 2004 No. OC307 PDF 9  
Made in Japan

Specifications are subject to change without notice.