

SERVICE PARTS LIST FOR MITSUBISHI ELECTRIC PACKAGED AIR-CONDITIONERS

Series : PLFY-P•VLMD-E

REVISED

Aug. 2022

BWE0404P

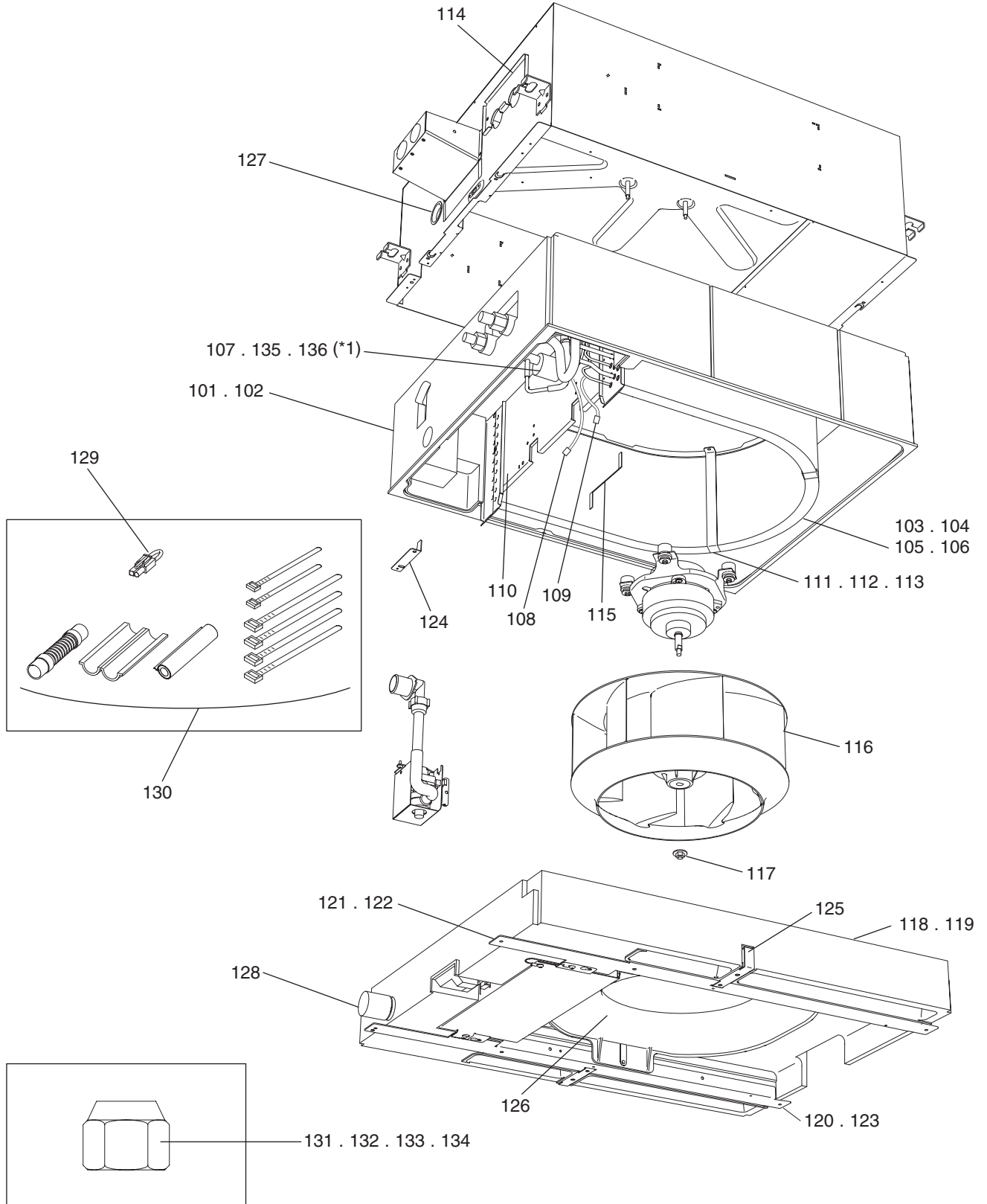
INDEX
PLFY-P20VLMD-E
PLFY-P25VLMD-E
PLFY-P32VLMD-E
PLFY-P40VLMD-E
PLFY-P50VLMD-E
PLFY-P63VLMD-E
PLFY-P80VLMD-E
PLFY-P100VLMD-E
PLFY-P125VLMD-E

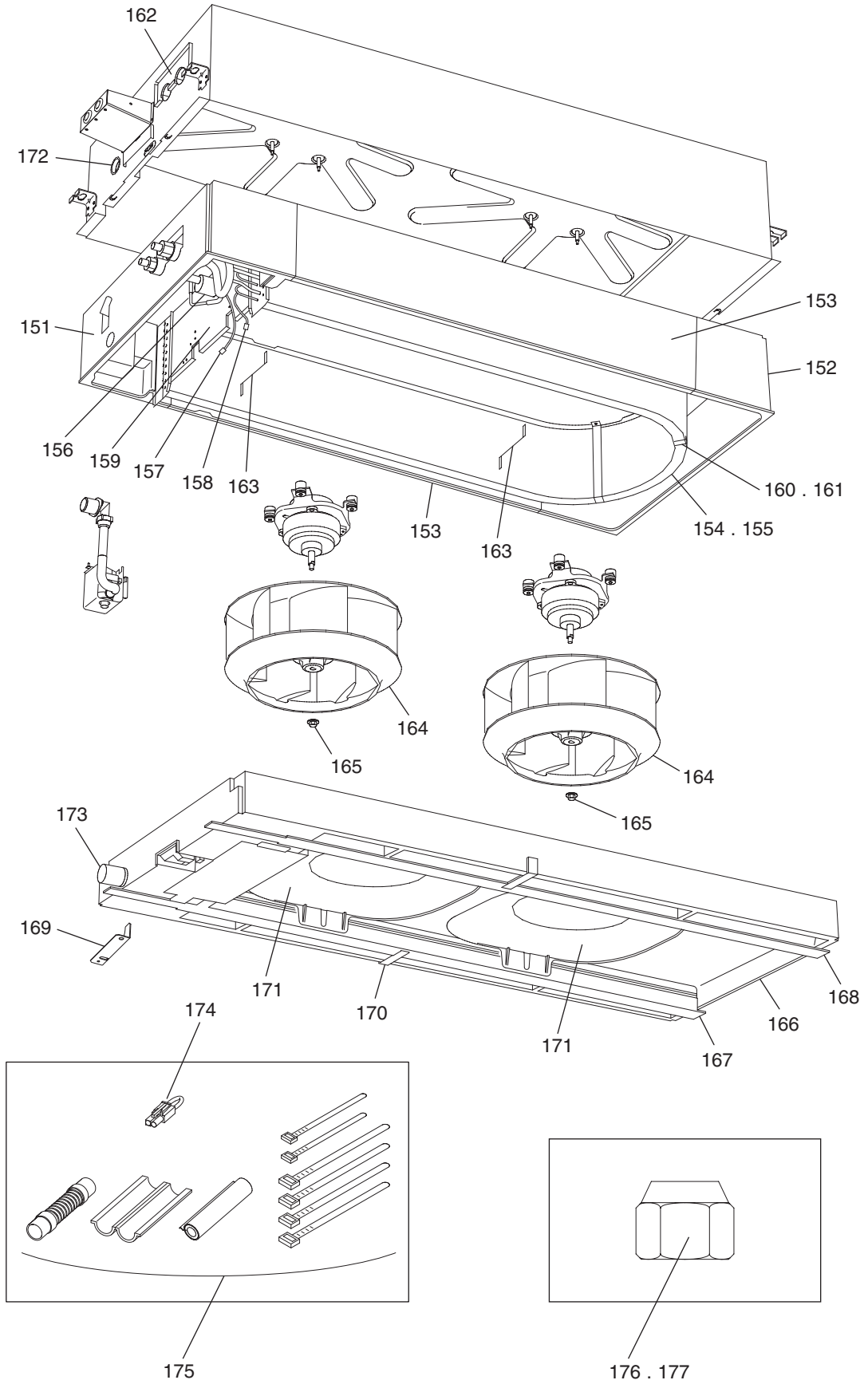
Part information update day : **2022/07/29**

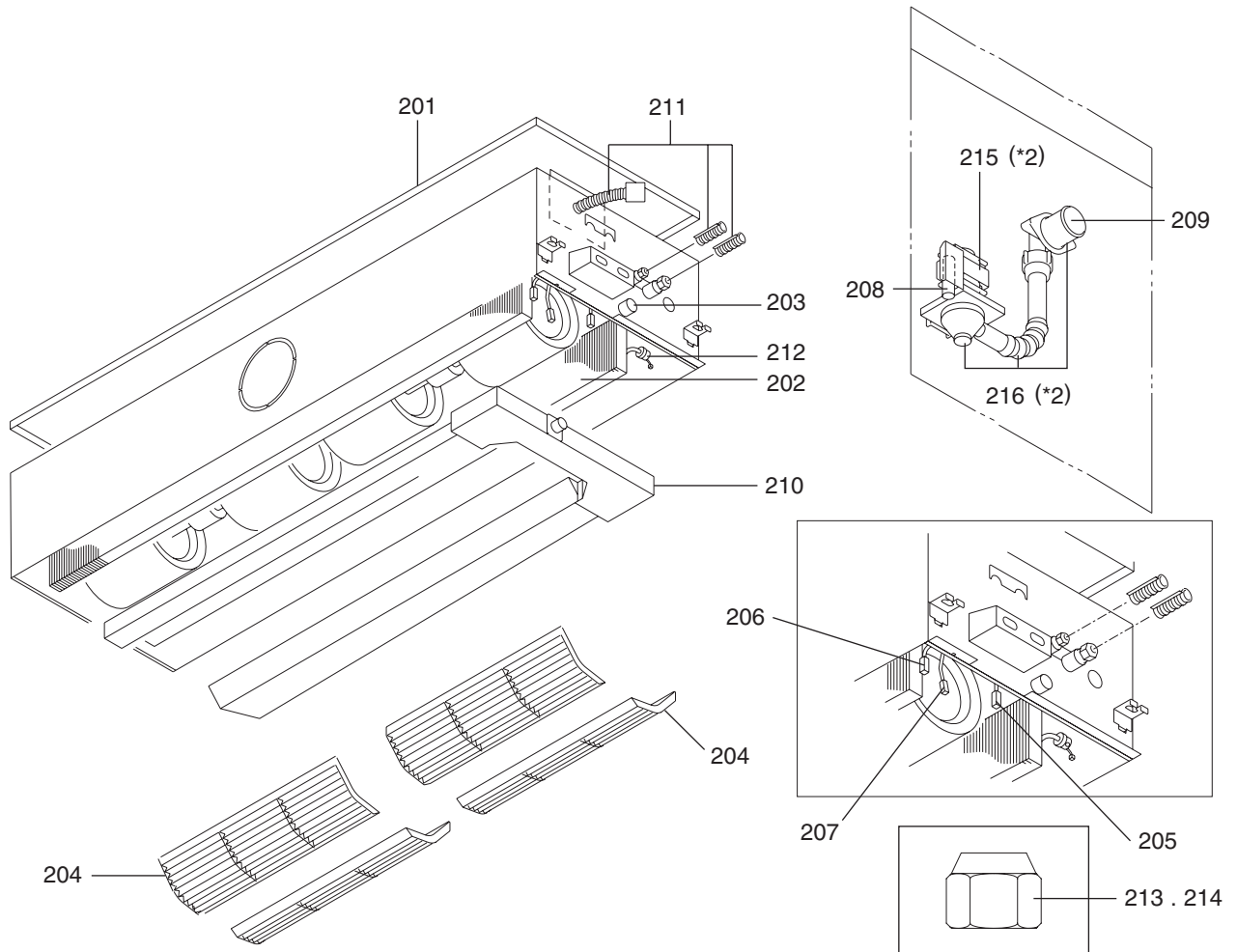
Please change the old catalog (issued Nov. 2021, No.BWE0404N) to this new catalog.
Content of revision : Some of parts are changed.



*1 Products manufactured in or before July 2020 have the EFM-type LEV. Products manufactured in or after Aug. 2020 have the PAM-type LEV. Replace the EFM-type LEV with the PAM-type LEV, using parts 107 and 135. Please order 136 when replacing only the motor part with EFM type.







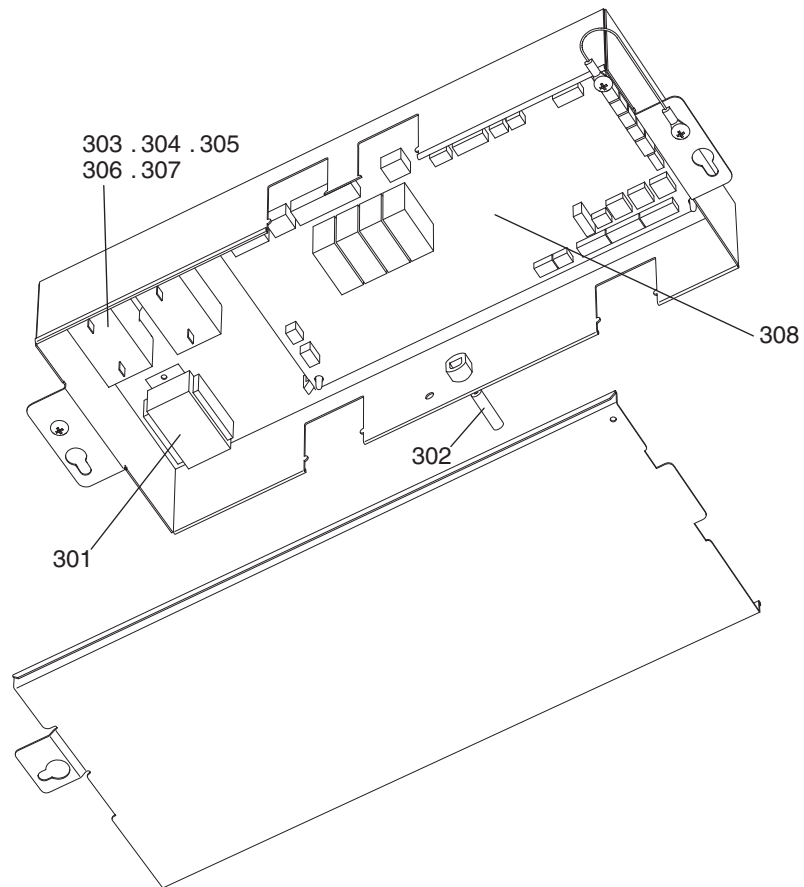
*2 Parts No. 215 is for use with the indoor units with a production number of 0ZW00534 and later.
 If the production number is 0ZW00533 or earlier, or if it is not available, use parts No. 216.

Production number nomenclature			
0	1	W	00001
(1)	(2)	(3)	(4)
(1) Last digit of the production year (cycles back in 10 years) *0 = Produced in FY2010 (April 2010 – March 2011) *1 = Produced in FY2011 (April 2011 – March 2012) *9 = Produced in FY2019 (April 2019 – March 2020)			
(2) 1 = Production month (1 – 9 = Jan. – Sept.; X = Oct.; Y = Nov.; Z = Dec.)			
(3) W = Standard product			
(4) Serial number			

PLFY-P20,P25,P32VLMD-E
PLFY-P40,P50,P63VLMD-E
PLFY-P80,P100VLMD-E

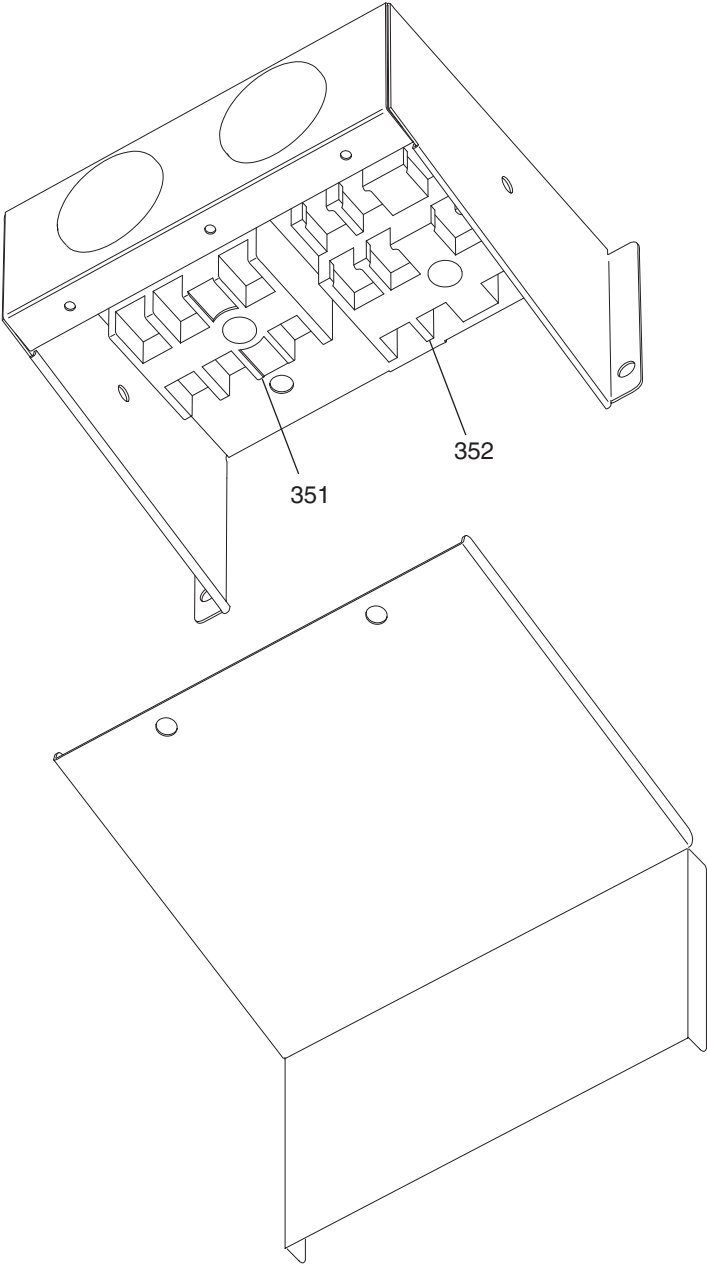
CONTROL BOX PARTS (1)

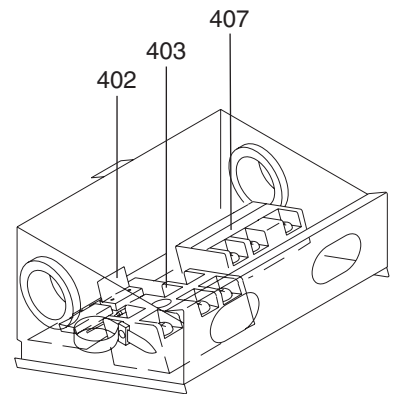
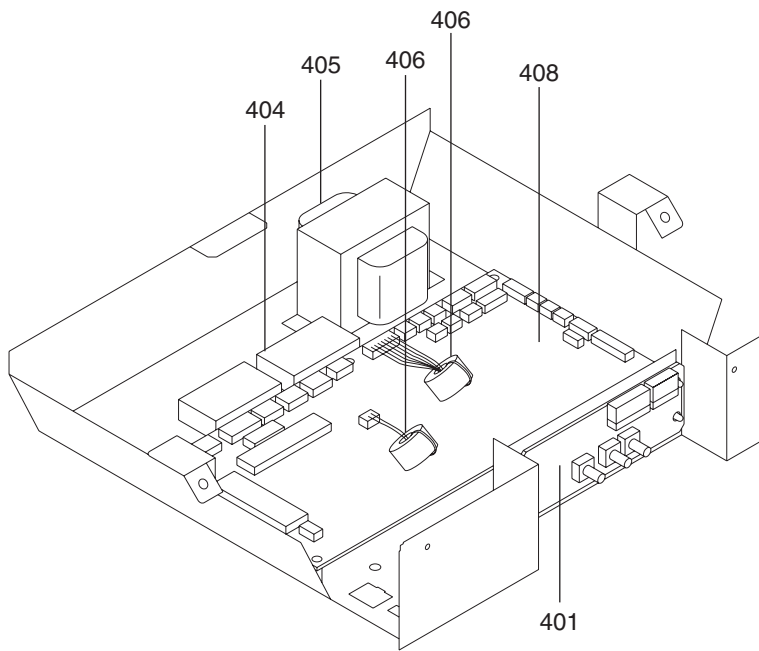
*PLFY-P20,25,32,40,50,63VLMD-E
has only one capacitor.



PLFY-P20,P25,P32VLMD-E
PLFY-P40,P50,P63VLMD-E
PLFY-P80,P100VLMD-E

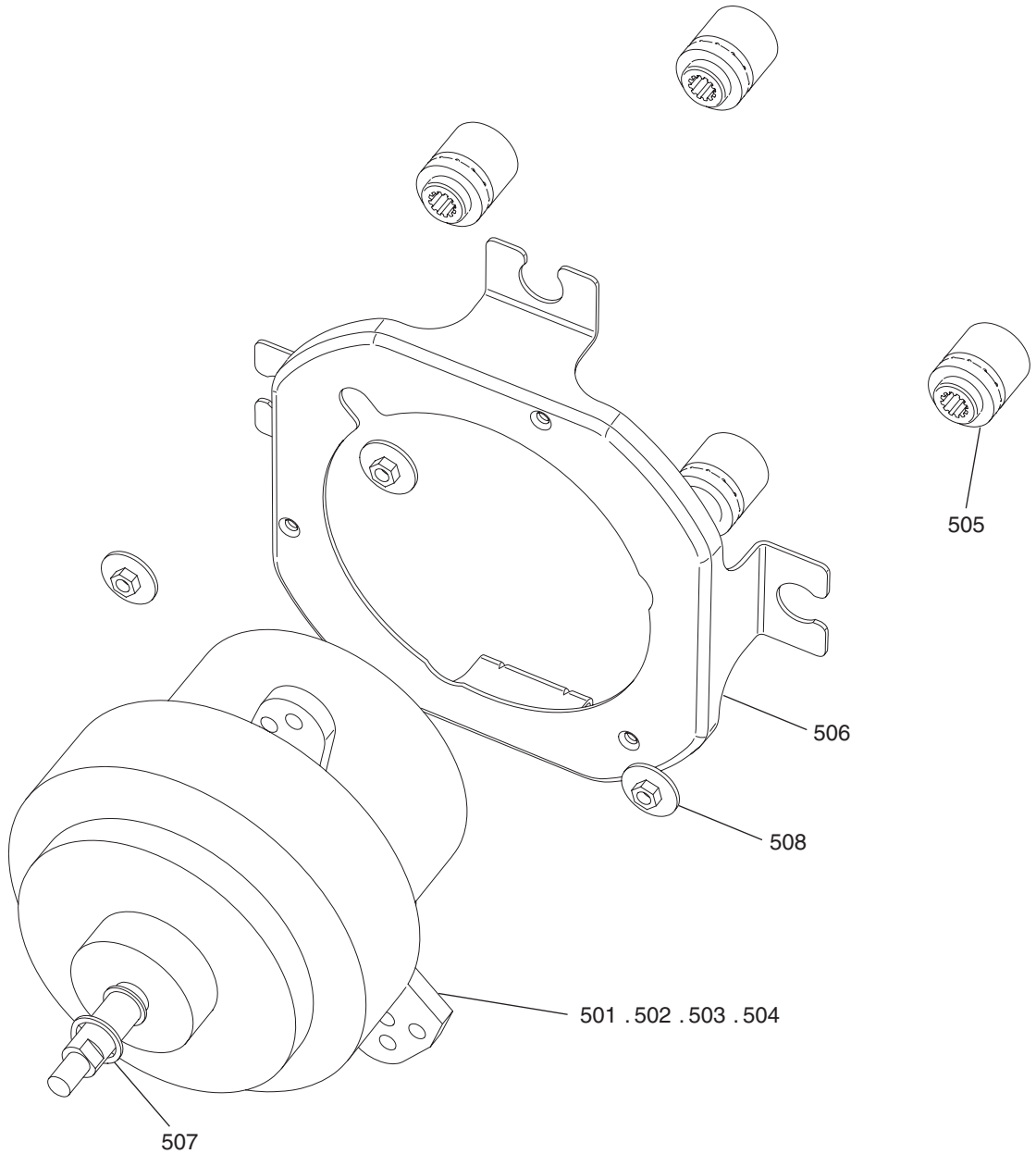
CONTROL BOX PARTS (2)

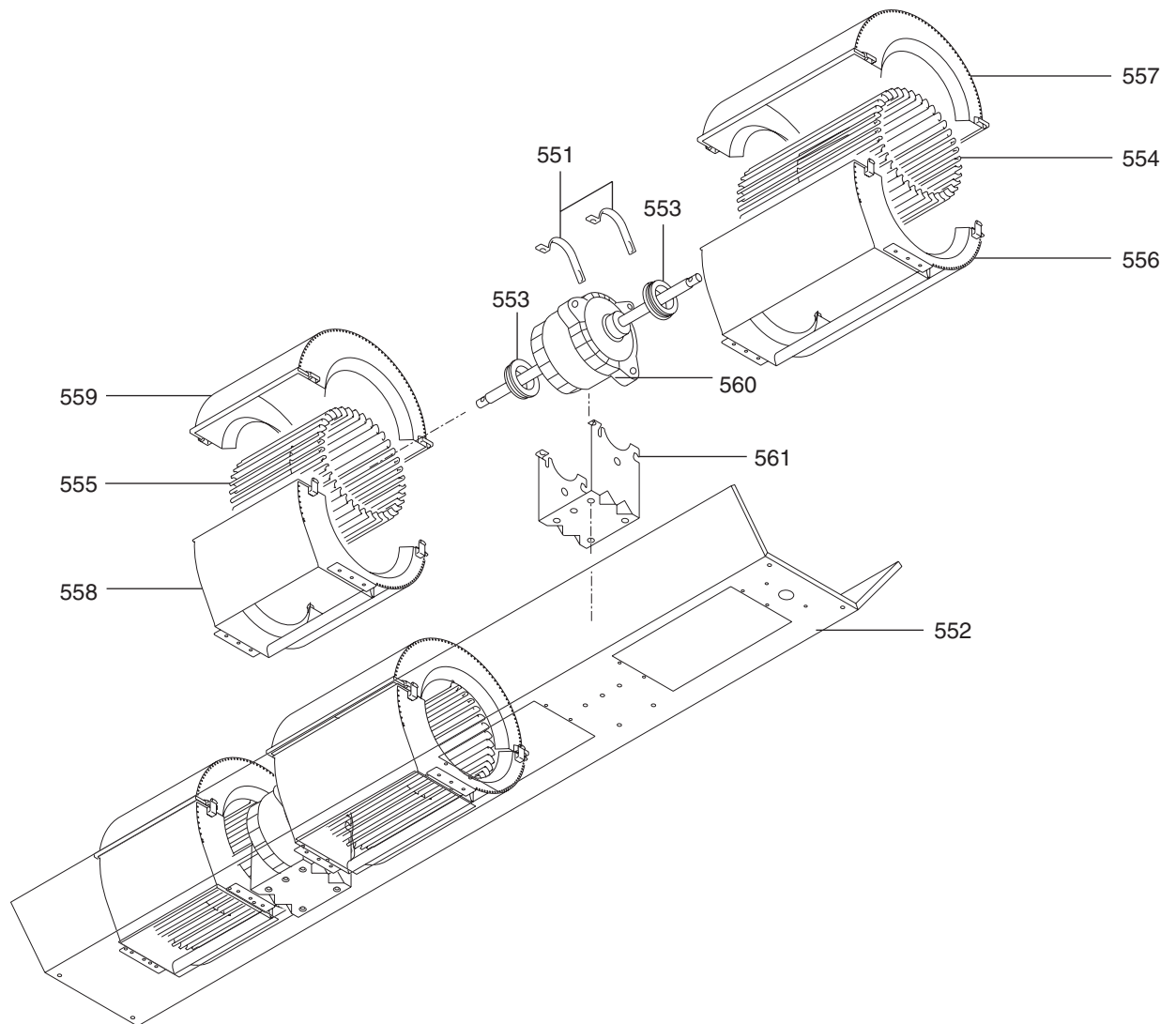




PLFY-P20,P25,P32VLMD-E
PLFY-P40,P50,P63VLMD-E
PLFY-P80,P100VLMD-E

BLOWER PARTS (1)





PLFY-P20,P25,P32VLMD-E
PLFY-P40,P50,P63VLMD-E
PLFY-P80,P100VLMD-E

DRAIN PUMP PARTS

