

# PARTS CATALOG

## Series PKFY Wall Mounted

**R32**

Indoor unit

[Model names]

[Service Ref.]

PKFY-MS63VKM-E

PKFY-MS63VKM-E.TH

PKFY-MS63VKM-ER1.TH

PKFY-MS63VKM-ET

PKFY-MS63VKM-ET.TH

PKFY-MS63VKM-ETR1.TH

PKFY-MS100VKM-E

PKFY-MS100VKM-E.TH

PKFY-MS100VKM-ER1.TH

PKFY-MS100VKM-ET

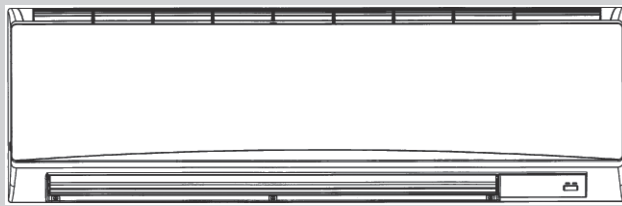
PKFY-MS100VKM-ET.TH

PKFY-MS100VKM-ETR1.TH

Revision:

- PKFY-MS63VKM-ER1.TH,  
PKFY-MS63VKM-ETR1.TH,  
PKFY-MS100VKM-ER1.TH and  
PKFY-MS100VKM-ETR1.TH  
have been added in  
REVISED EDITION-A.

OCB824 is void.



INDOOR UNIT

Model name  
indication

## CONTENTS

1. SERVICE PARTS LIST ..... 2
2. OPTIONAL PARTS ..... 6

**SERVICE MANUAL (OCH824)**

## PANEL AND HEAT EXCHANGER PARTS

PKFY-MS63VKM-E.TH

PKFY-MS100VKM-E.TH

PKFY-MS63VKM-ET.TH

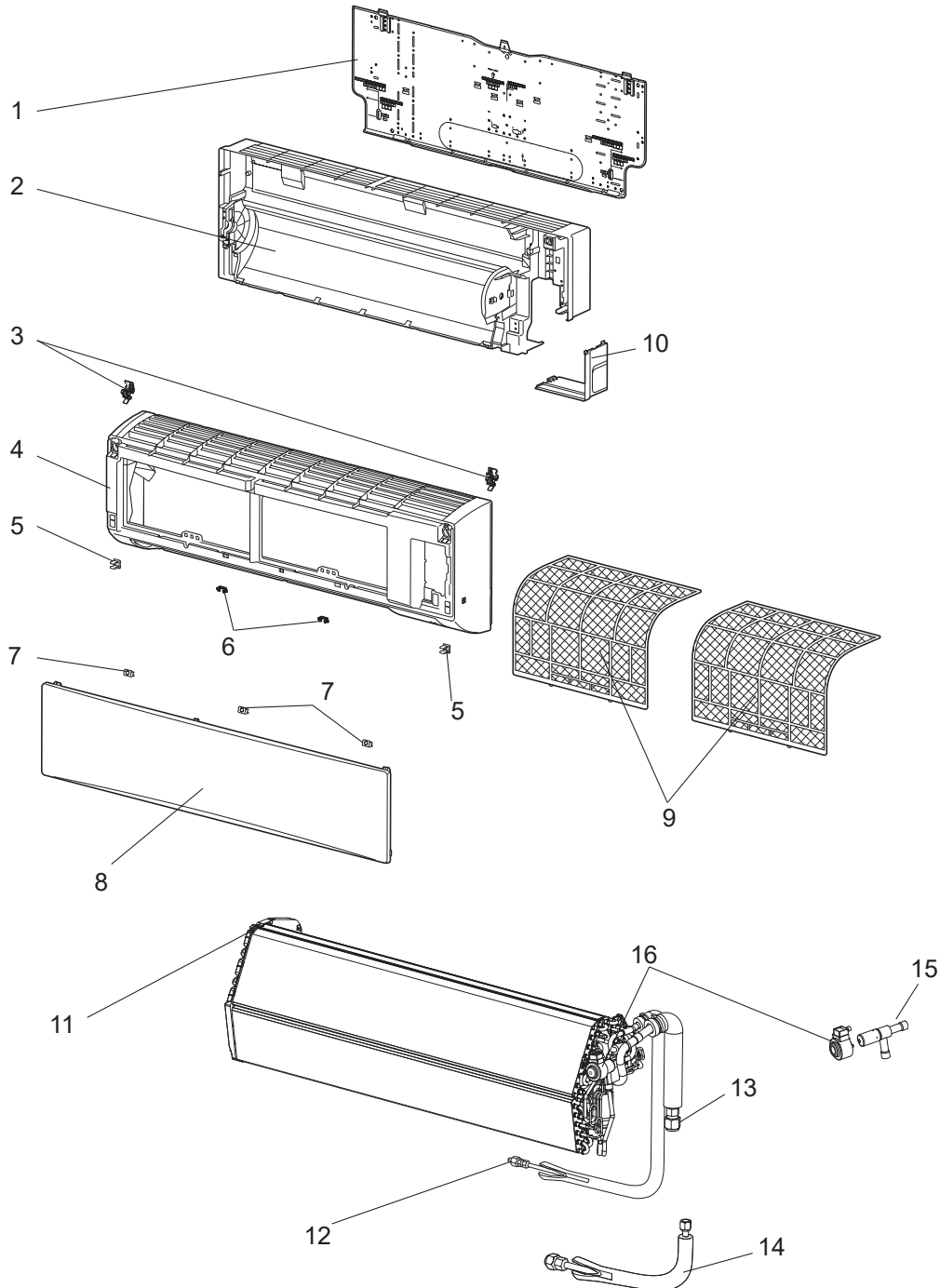
PKFY-MS100VKM-ET.TH

PKFY-MS63VKM-ER1.TH

PKFY-MS100VKM-ER1.TH

PKFY-MS63VKM-ETR1.TH

PKFY-MS100VKM-ETR1.TH



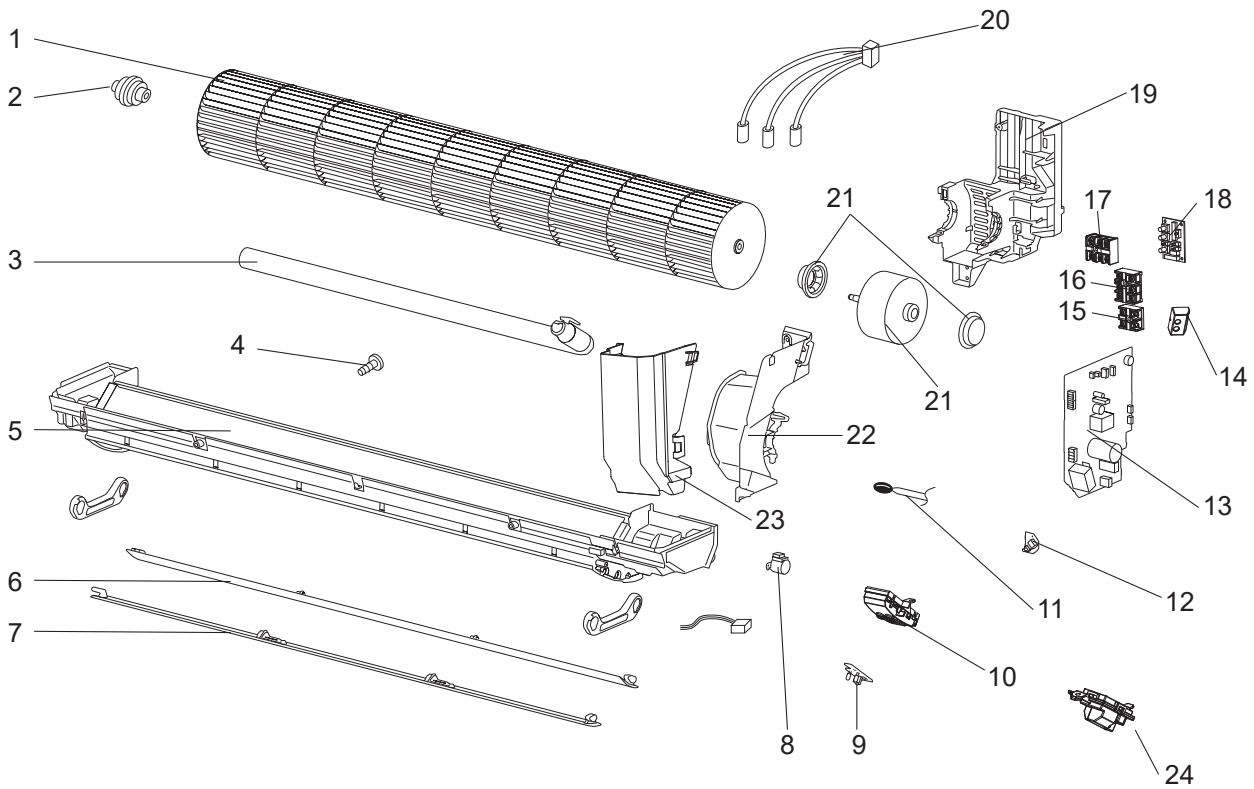
1. The part quantity below indicates the required number of pieces per unit.
2. The circled No. indicates that the part is not shown in the figure.

No.	Parts No.	Parts Name	PKFY-MS63VKM-E.TH	PKFY-MS63VKM-ET.TH	PKFY-MS63VKM-ER1.TH	PKFY-MS63VKM-ETR1.TH	PKFY-MS100VKM-E.TH	PKFY-MS100VKM-ET.TH	PKFY-MS100VKM-ER1.TH	PKFY-MS100VKM-ETR1.TH	Wiring Diagram Symbol	Remarks
1	E22 C92 970	INSTALLATION PLATE	1	1	1	1	1	1	1	1		
2	E22 C92 234	BOX ASSEMBLY	1	1			1	1				
2	E27 5B2 234	BOX ASSEMBLY			1	1			1	1		
3	E27 30E 021	ARM HOLDER SET	1	1	1	1	1	1	1	1		set (left, right)
4	E27 A51 000	PANEL ASSEMBLY	1	1			1	1				Includes 3, 5, 6, 7, 8
4	E27 1B4 000	PANEL ASSEMBLY			1	1			1	1		Includes 3, 5, 6, 7, 8
5	E22 408 142	CATCH	2	2	2	2	2	2	2	2		2 pcs/set
6	E22 C92 142	CATCH	2	2	2	2	2	2	2	2		2 pcs/set
7	E22 C92 067	SCREW CAP	3	3			3	3				3 pcs/set
7	E27 1B4 067	SCREW CAP			3	3			3	3		3 pcs/set
8	E27 B04 010	FRONT PANEL	1	1			1	1				
8	E27 1B4 010	FRONT PANEL			1	1			1	1		
9	E22 C92 100	CATECHIN AIR FILTER	2	2	2	2	2	2	2	2		
10	E22 C92 975	CORNER BOX	1	1			1	1				
10	E22 8F7 975	CORNER BOX			1	1			1	1		
11	E27 6B4 620	INDOOR HEAT EXCHANGER	1	1	1	1						Connection pipes are attached.
11	E27 6B5 620	INDOOR HEAT EXCHANGER					1	1	1	1		Connection pipes are attached.
12	E22 527 667	UNION 3/8"	1	1	1	1	1	1	1	1		3/8F, for liquid
13	E22 C92 666	UNION 5/8"	1	1	1	1	1	1	1	1		5/8F, for gas
14	E27 H49 980	JOINT ASSEMBLY	1	1	1	1	1	1	1	1		5/8F, for gas
15	E27 69R 640	LINEAR EXPANSION VALVE	1	1	1	1						(LEV body)
15	E27 76R 640	LINEAR EXPANSION VALVE					1	1	1	1		(LEV body)
16	E27 75R 493	LINEAR EXPANSION VALVE COIL	1	1	1	1	1	1	1	1	LEV	

## FUNCTIONAL PARTS

PKFY-MS63VKM-E.TH  
PKFY-MS63VKM-ET.TH  
PKFY-MS63VKM-ER1.TH  
PKFY-MS63VKM-ETR1.TH

PKFY-MS100VKM-E.TH  
PKFY-MS100VKM-ET.TH  
PKFY-MS100VKM-ER1.TH  
PKFY-MS100VKM-ETR1.TH



1. The part quantity below indicates the required number of pieces per unit.
2. The circled No. indicates that the part is not shown in the figure.

No.	Parts No.	Parts Name	PKFY-MS63VKM-E.TH	PKFY-MS63VKM-ET.TH	PKFY-MS63VKM-ER1.TH	PKFY-MS63VKM-ETR1.TH	PKFY-MS100VKM-E.TH	PKFY-MS100VKM-ET.TH	PKFY-MS100VKM-ER1.TH	PKFY-MS100VKM-ETR1.TH	Wiring Diagram Symbol	Remarks
1	E22 R79 302	LINE FLOW FAN	1	1	1	1	1	1	1	1		
2	E22 A89 509	BEARING MOUNT ASSEMBLY	1	1	1	1	1	1	1	1		
3	E22 T20 702	DRAIN HOSE	1	1	1	1	1	1	1	1		
4	E27 42R 705	DRAIN CAP	1	1	1	1	1	1	1	1		
5	E27 6B4 235	NOZZLE ASSEMBLY	1	1	1	1	1	1	1	1		Full assembly except drain hose and vanes
6	E22 C92 040	VANE UPPER	1	1			1	1				
6	E22 8F7 040	VANE UPPER			1	1			1	1		
7	E22 C92 041	VANE LOWER	1	1			1	1				
7	E22 8F7 041	VANE LOWER			1	1			1	1		
8	E22 749 303	VANE MOTOR	1	1	1	1	1	1	1	1	MV	
9	E27 518 468	RECEIVER P.C. BOARD	1	1	1	1	1	1	1	1	W.B.	
10	E22 C92 095	POWER MONITOR RECEIVER HOLDER	1	1	1	1	1	1	1	1		
11	E27 518 308	ROOM TEMP. THERMISTOR	1	1	1	1	1	1	1	1	TH21	
12	E27 30E 326	SWITCH P.C. BOARD	1	1	1	1	1	1	1	1	S.B.	
13	E27 75R 447	INDOOR CONTROLLER BOARD	1	1	1	1	1	1	1	1	I.B.	
14	E27 518 782	SWITCH HOLDER	1	1	1	1	1	1	1	1		
15	E27 249 375	TERMINAL BLOCK	1	1	1	1	1	1	1	1	TB15	2P (1, 2)
16	E27 519 375	TERMINAL BLOCK	1	1	1	1	1	1	1	1	TB5	3P (M1, M2, S)
17	E27 518 375	TERMINAL BLOCK	1	1	1	1	1	1	1	1	TB2	3P (L, N, Ground)
18	E27 518 456	ADDRESS BOARD	1	1	1	1	1	1	1	1	A.B.	
19	E22 55J 333	MOTOR BED	1	1	1	1	1	1	1	1		
20	E27 75R 307	INDOOR COIL THERMISTOR	1	1	1	1	1	1	1	1	TH22, TH23, TH24	
21	E27 30E 300	INDOOR FAN MOTOR	1	1	1	1	1	1	1	1	MF	Includes rubber mounts
22	E22 C92 333	MOTOR BAND	1	1	1	1	1	1	1	1		
23	E27 518 541	WATER COVER	1	1	1	1	1	1	1	1		
24	E27 75R 391	R32 SENSOR	1	1	1	1	1	1	1	1		
25	E22 A49 382	FUSE	1	1	1	1	1	1	1	1	F1	T3.15AL250V

**2****OPTIONAL PARTS**

<b>Parts name</b>	<b>Parts No.</b>
WIRED REMOTE CONTROLLER (MA REMOTE CONTROLLER)	PAR-41MAAB
WIRELESS REMOTE CONTROLLER	PAR-FL32MA-E PAR-SL101A-E
REMOTE ON/OFF ADAPTER	PAC-SE55RA-E
REMOTE DISPLAY ADAPTER	PAC-SA88HA-E
Wi-Fi INTERFACE	MAC-587IF-E
DRAIN LIFT UP MECHANISM	PAC-SK19DM-E *1 PAC-SL48DM-E *2
PLASMA QUAD CONNECT	PAC-100FT-E
REMOTE SENSOR	PAC-SE41TS-E
V BLOCKING FILTER	MAC-1416FT-E

\*1 For PKFY-MS.VKM-E/-ET.TH

\*2 For PKFY-MS.VKM-ER1/-ETR1.TH

**MITSUBISHI ELECTRIC CORPORATION**

HEAD OFFICE : TOKYO BUILDING, 2-7-3, MARUNOUCHI, CHIYODA-KU TOKYO 100-8310, JAPAN