

PARTS CATALOG

Series PFFY Floor Standing R410A

Indoor unit
[Model names]

[Service Ref.]

PFFY-P20VKM-E2

PFFY-P20VKM-E2

PFFY-P25VKM-E2

PFFY-P25VKM-E2

PFFY-P32VKM-E2

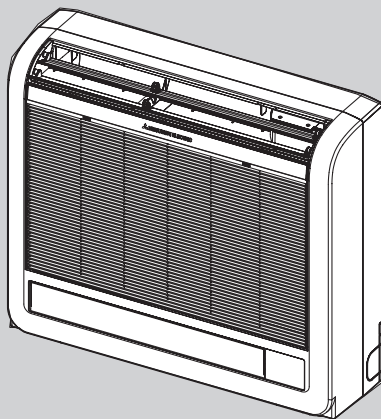
PFFY-P32VKM-E2

PFFY-P40VKM-E2

PFFY-P40VKM-E2

Revision:
• Some descriptions have
been modified in REVISED
EDITION-A.

OCB537 is void.



Model name
indication

INDOOR UNIT

CONTENTS

1. SERVICE PARTS LIST 2

SERVICE MANUAL (OCH537)

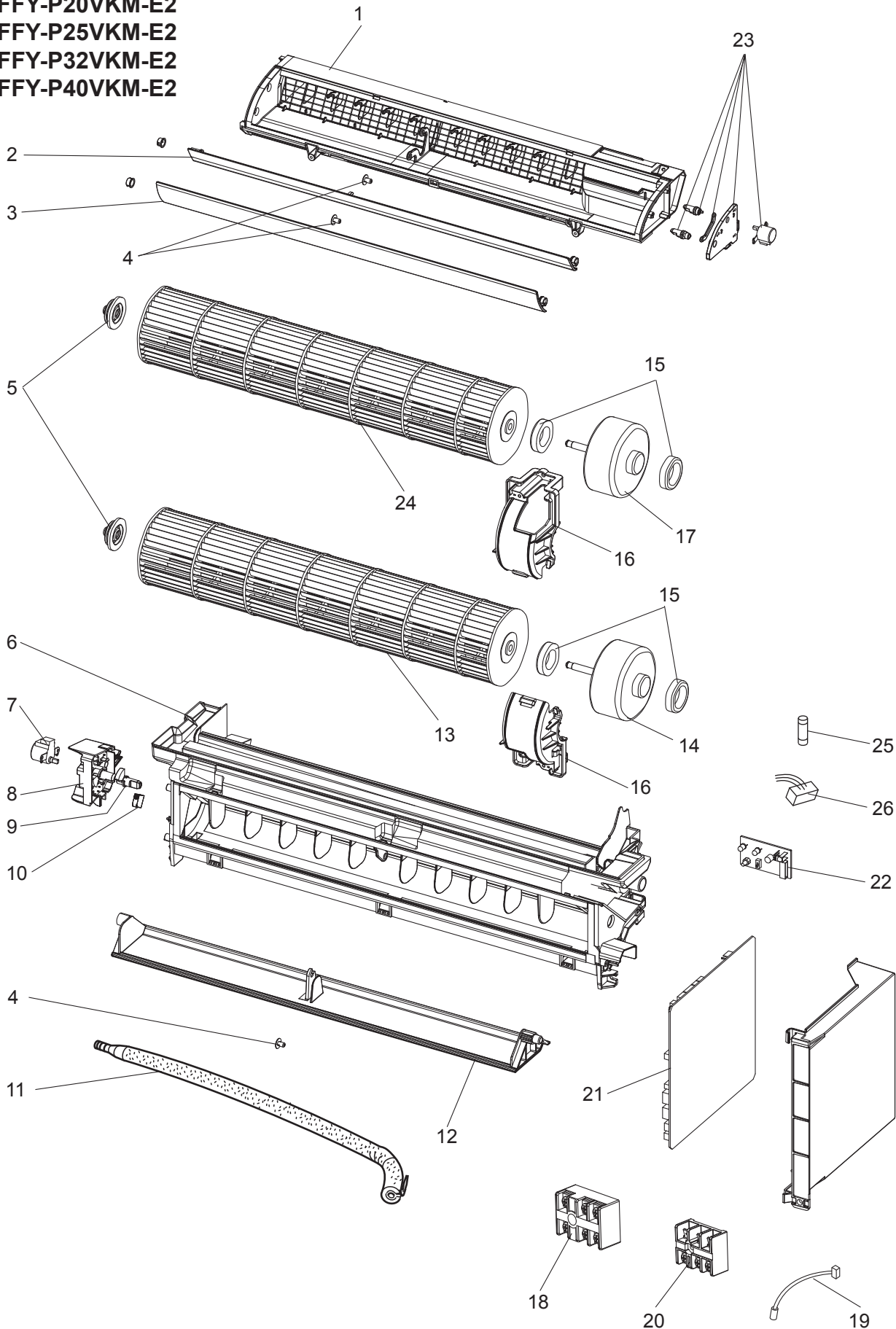
CITY MULTI

1

SERVICE PARTS LIST

1-1. INDOOR UNIT ELECTRICAL PARTS AND FUNCTIONAL PARTS

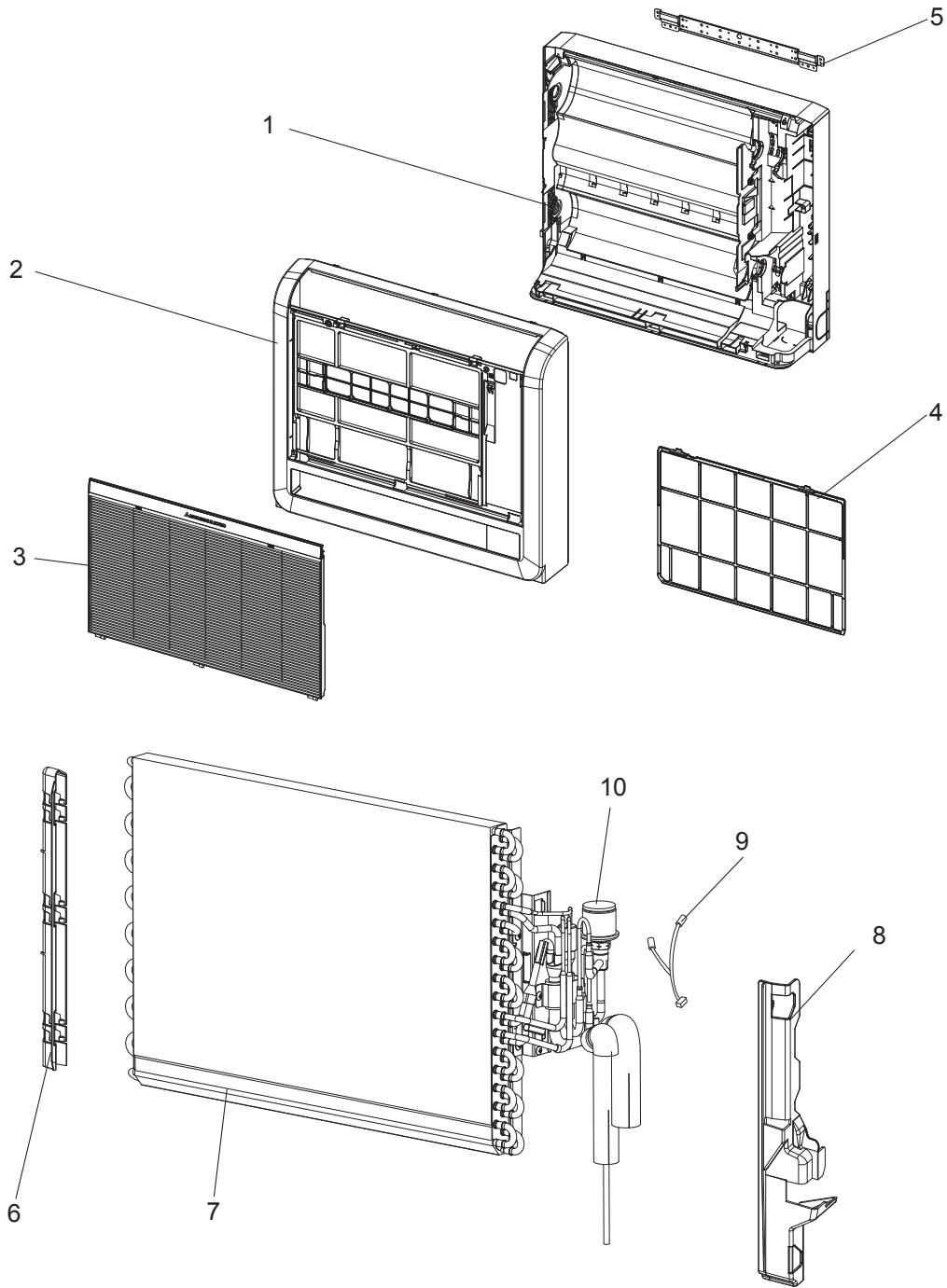
PFFY-P20VKM-E2
PFFY-P25VKM-E2
PFFY-P32VKM-E2
PFFY-P40VKM-E2



1-1. INDOOR UNIT ELECTRICAL PARTS AND FUNCTIONAL PARTS

No.	Part No.	Part name	Q'ty/unit				Remarks	Symbol in Wiring Diagram
			PFFY-P·VKM-E2					
			20	25	32	40		
1	T7W H00 530	NOZZLE ASSY - TOP	1	1	1	1		
2	T7W E07 002	VANE TOP - B	1	1	1	1		
3	T7W E06 002	VANE TOP - F	1	1	1	1		
4	T7W E01 103	VANE SLEEVE	3	3	3	3		
5	T7W H00 103	BEARING	2	2	2	2		
6	T7W H01 530	NOZZLE ASSY - UNDER	1	1	1	1		
7	T7W E08 223	VANE MOTOR (U)	1	1	1	1		MV2
8	T7W E09 130	VANE MOTOR SUPPORT - U	1	1	1	1		
9	T7W E00 170	SM SHAFT	1	1	1	1		
10	T7W E00 272	LIMIT SWITCH	1	1	1	1	(VANE UNDER)	LS
11	R01 E09 527	DRAIN HOSE VP16	1	1	1	1		
12	T7W E08 002	VANE UNDER	1	1	1	1		
13	T7W E04 114	LINE FLOW FAN - U	1	1	1	1		
14	T7W E26 762	FAN MOTOR - U	1	1	1	1		MF2
15	R01 43K 105	RUBBER MOUNT	2	2	2	2		
16	T7W E08 130	MOTOR BAND	2	2	2	2		
17	T7W E25 762	FAN MOTOR - T	1	1	1	1		MF1
18	R01 E27 246	T.B./M1.M2.S	1	1	1	1	3P (M1, M2, S)	TB5
19	R01 H08 202	THERMISTOR (ROOM)	1	1	1	1		TH21
20	T7W E37 716	T.B./L.N.E	1	1	1	1	3P (L, N, ⊕)	TB2
21	T7W C10 310	CONTROLLER BOARD	1	1	1	1		I.B
22	T7W E01 294	ADDRESS BOARD	1	1	1	1		A.B
23	T7W H07 223	VANE MOTOR (SET)	1	1	1	1		MV1
24	T7W E03 114	LINE FLOW FAN - T	1	1	1	1		
25	R01 E06 239	FUSE 6.3 A 250V	1	1	1	1	6.3 A 250V	FUSE
26	T7W E04 304	ADDRESS CABLE	1	1	1	1		

1-2. STRUCTURAL PARTS AND INDOOR UNIT HEAT EXCHANGER



No.	Part No.	Part name	Q'ty/unit				Remarks	Symbol in Wiring Diagram
			PFFY-P·VKM-E2					
			20	25	32	40		
1	T7W H01 635	BOX ASSY	1	1	1	1		
2	T7W E06 651	PANEL ASSY	1	1	1	1		
3	T7W E10 691	INTAKE GRILLE	1	1	1	1		
4	T7W E04 500	FILTER	1	1	1	1		
5	T7W E01 808	BACK PLATE	1	1	1	1		
6	T7W E00 031	HAIR PIN COVER	1	1	1	1		
7	T7W R56 480	HEAT EXCHANGER	1	1	1	1		
8	T7W E01 031	WATER COVER	1	1	1	1		
9	T7W E16 202	THERMISTOR	1	1	1	1		
10	R01 H23 401	LEV - 4/EFM	1	1	1	1		LEV

CITY MULTI

mitsubishi electric corporation

HEAD OFFICE: TOKYO BUILDING, 2-7-3, MARUNOUCHI, CHIYODA-KU, TOKYO 100-8310, JAPAN