

SERVICE PARTS LIST FOR MITSUBISHI ELECTRIC PACKAGED AIR-CONDITIONERS

Series : PEFY-WP•VMA-E

REVISED

July 2020

BWE1139D

INDEX

PEFY-WP20VMA-E

PEFY-WP25VMA-E

PEFY-WP32VMA-E

PEFY-WP40VMA-E

PEFY-WP50VMA-E

PEFY-WP63VMA-E

PEFY-WP71VMA-E

PEFY-WP80VMA-E

PEFY-WP100VMA-E

PEFY-WP125VMA-E

Part information update day : 2020/07/01

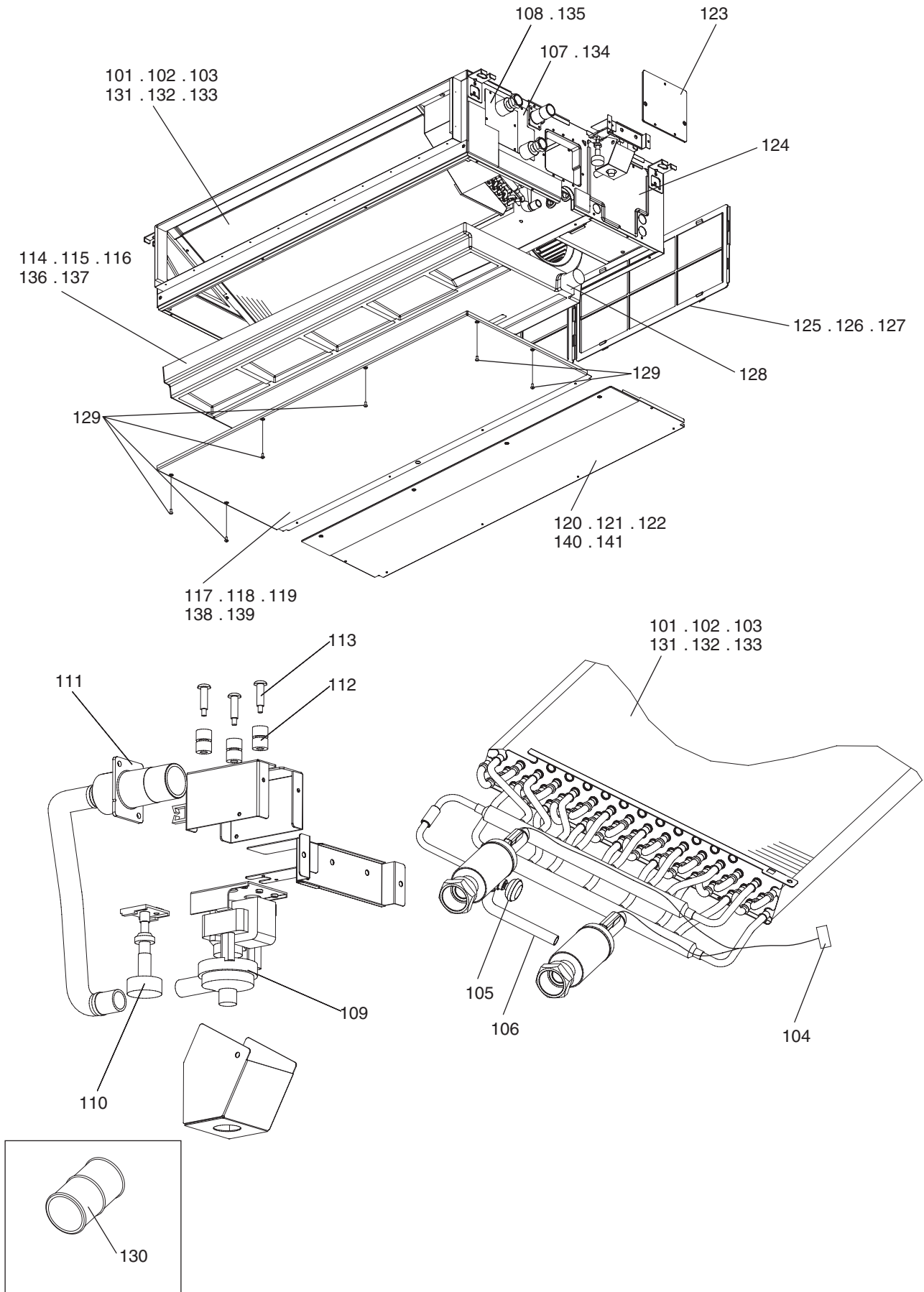
Please change the old catalog (issued June 2019, No.BWE1139C) to this new catalog.

Content of revision : Some of parts are changed.



PEFY-WP20,WP25,WP32VMA-E
 PEFY-WP40,WP50,WP63VMA-E
 PEFY-WP71,WP80,WP100,WP125VMA-E

EXTERNAL PARTS



PEFY-WP20,WP25,WP32VMA-E
 PEFY-WP40,WP50,WP63VMA-E
 PEFY-WP71,WP80,WP100,WP125VMA-E

EXTERNAL PARTS

No.	Part No.	Part Name	Spec.	PEFY-WP20VMA-E	PEFY-WP25VMA-E	PEFY-WP32VMA-E	PEFY-WP40VMA-E	PEFY-WP50VMA-E	PEFY-WP63VMA-E	Dwg. No.	Notes for the models	Revision info.
101	R61 H56 480	Heat exchanger		1						KB00A430G21		
102	R61 H57 480	Heat exchanger			1	1				KB00A430G22		
103	R61 H58 480	Heat exchanger					1	1		KB00A431G10		
104	R61 100 200	Thermistor		1	1	1	1	1	1	KB71B945H03	<TH22,TH23>	
105	R61 010 410	Air purge valve		1	1	1	1	1	1	P635209X01		
106	R61 005 526	Tube	PVC	1	1	1	1	1	1	S645005H02		
107	R61 107 690	Cover pipe assy 1		1	1	1	1	1		KD00F189G01		
108	R61 108 690	Cover pipe assy 2		1	1	1	1	1		KD00F190G01		
109	R61 011 539	Pump	PLD	1	1	1	1	1	1	KB56B953H03		
110	R61 012 541	Float switch	S3004-15-1	1	1	1	1	1	1	KR68B233H01		
111	R61 004 218	Socket assy		1	1	1	1	1	1	KB00R308G06		
112	R61 018 104	Cushion		3	3	3	3	3	3	DB26F013L01		
113	R61 002 019	Screw special	M4 x 6	3	3	3	3	3	3	Y112J017H05		
114	R61 051 529	Drain pan assy	P20	1						KB00T352G06		
115	R61 052 529	Drain pan assy	P40		1	1				KB00T352G07		
116	R61 053 529	Drain pan assy	P63				1	1	1	KB00T352G08		
117	R61 191 651	Panel assy UD1	P20	1						KD00R262G01		
118	R61 192 651	Panel assy UD1	P40		1	1				KD00R262G02		
119	R61 193 651	Panel assy UD1	P63				1	1	1	KD00R262G03		
120	R61 135 651	Panel assy UD2	P20	1						KB00R306G11		
121	R61 136 651	Panel assy UD2	P40		1	1				KB00R306G12		
122	R61 137 651	Panel assy UD2	P63				1	1	1	KB00R306G13		
123	R61 067 690	Cover assy		1	1	1	1	1	1	KB00M197G07		
124	R61 050 696	Cover box assy		1	1	1	1	1	1	KB00T527G22		
125	R61 011 500	Filter	550				2	2	2	KD35J684G01		
126	R61 012 500	Filter	700	1						KD35J685G01		
127	R61 015 500	Filter	900		1	1				KD35J686G01		
128	R61 E96 558	Plug	RUBBER	1	1	1	1	1	1	P312040X01		
129	R61 004 087	Screw	4 x 10 coating	5	5	5	6	6	6	KB12D859G01		
130	R61 005 218	Socket		1	1	1	1	1	1	BB25D449K01		
131	R61 H61 480	Heat exchanger							1	KB00Y215G02		
132	R61 H62 480	Heat exchanger								KB00Y216G02		
133	R61 H63 480	Heat exchanger								KB00Y233G02		
134	R61 210 690	Cover pipe assy 1							1	KJ00H039G01		
135	R61 211 690	Cover pipe assy 2							1	KJ00H042G01		
136	R61 054 529	Drain pan assy								KB00T352G09		
137	R61 055 529	Drain pan assy								KB00T352G10		
138	R61 362 651	Panel assy UD1								KD00R262G04		
139	R61 363 651	Panel assy UD1								KD00R262G05		
140	R61 138 651	Panel assy UD2								KB00R306G14		
141	R61 139 651	Panel assy UD2								KB00R306G15		

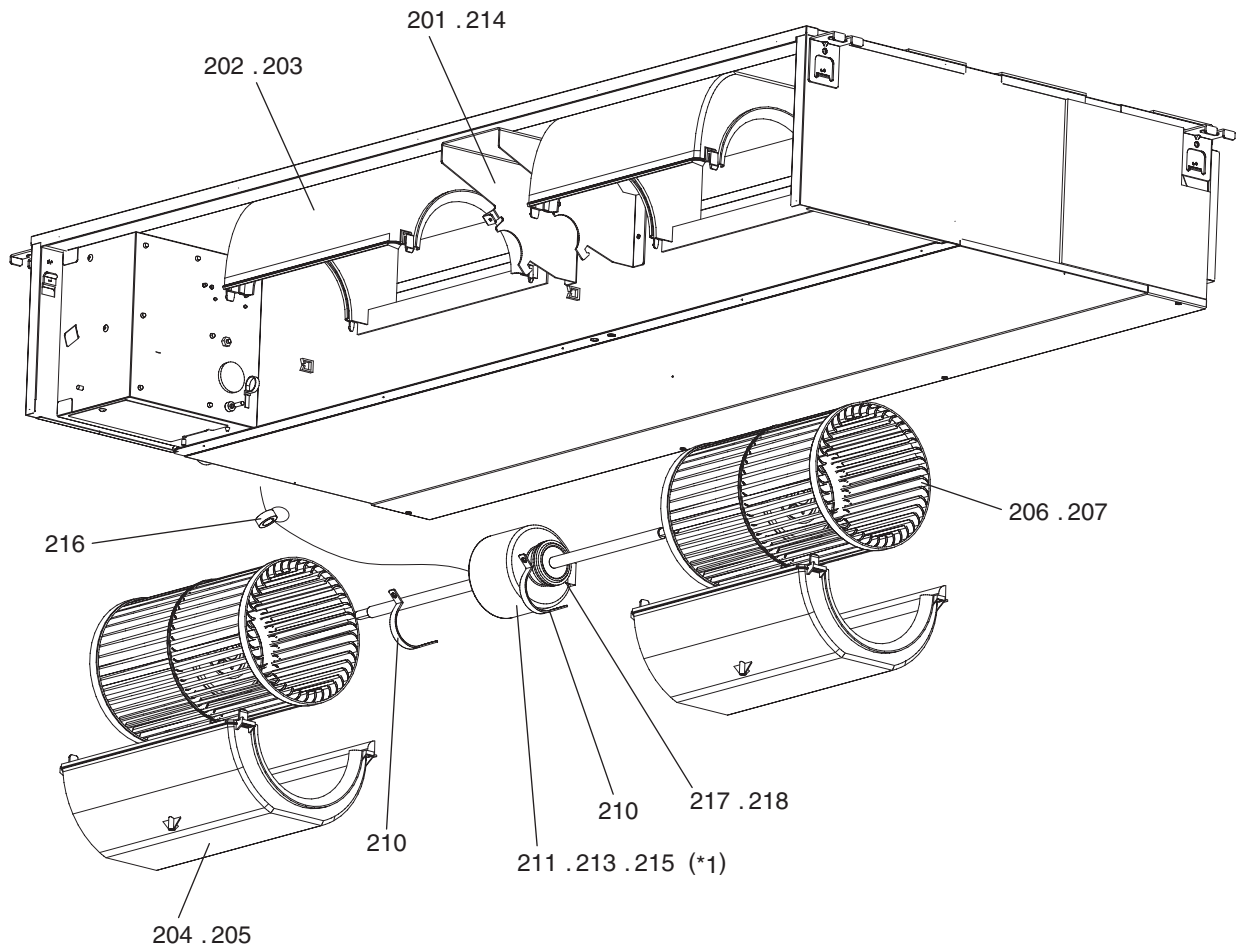
PEFY-WP20,WP25,WP32VMA-E
 PEFY-WP40,WP50,WP63VMA-E
 PEFY-WP71,WP80,WP100,WP125VMA-E

EXTERNAL PARTS

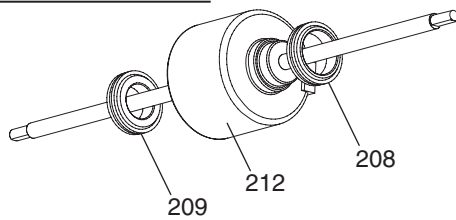
No.	Part No.	Part Name	Spec.	PEFY-WP71VMA-E	PEFY-WP80VMA-E	PEFY-WP100VMA-E	PEFY-WP125VMA-E		Dwg. No.	Notes for the models	Revision info.
101	R61 H56 480	Heat exchanger							KB00A430G21		
102	R61 H57 480	Heat exchanger							KB00A430G22		
103	R61 H58 480	Heat exchanger							KB00A431G10		
104	R61 100 200	Thermistor		1	1	1	1		KB71B945H03	<TH22,TH23>	
105	R61 010 410	Air purge valve		1	1	1	1		P635209X01		
106	R61 005 526	Tube	PVC	1	1	1	1		S645005H02		
107	R61 107 690	Cover pipe assy 1							KD00F189G01		
108	R61 108 690	Cover pipe assy 2							KD00F190G01		
109	R61 011 539	Pump	PLD	1	1	1	1		KB56B953H03		
110	R61 012 541	Float switch	S3004-15-1	1	1	1	1		KR68B233H01		
111	R61 004 218	Socket assy		1	1	1	1		KB00R308G06		
112	R61 018 104	Cushion		3	3	3	3		DB26F013L01		
113	R61 002 019	Screw special	M4 x 6	3	3	3	3		Y112J017H05		
114	R61 051 529	Drain pan assy	P20						KB00T352G06		
115	R61 052 529	Drain pan assy	P40						KB00T352G07		
116	R61 053 529	Drain pan assy	P63						KB00T352G08		
117	R61 191 651	Panel assy UD1	P20						KD00R262G01		
118	R61 192 651	Panel assy UD1	P40						KD00R262G02		
119	R61 193 651	Panel assy UD1	P63						KD00R262G03		
120	R61 135 651	Panel assy UD2	P20						KB00R306G11		
121	R61 136 651	Panel assy UD2	P40						KB00R306G12		
122	R61 137 651	Panel assy UD2	P63						KB00R306G13		
123	R61 067 690	Cover assy		1	1	1	1		KB00M197G07		
124	R61 050 696	Cover box assy		1	1	1	1		KB00T527G22		
125	R61 011 500	Filter	550						KD35J684G01		
126	R61 012 500	Filter	700	2	2	2	1		KD35J685G01		
127	R61 015 500	Filter	900				1		KD35J686G01		
128	R61 E96 558	Plug	RUBBER	1	1	1	1		P312040X01		
129	R61 004 087	Screw	4 x 10 coating	6	6	6	6		KB12D859G01		
130	R61 005 218	Socket		1	1	1	1		BB25D449K01		
131	R61 H61 480	Heat exchanger							KB00Y215G02		
132	R61 H62 480	Heat exchanger		1	1	1			KB00Y216G02		
133	R61 H63 480	Heat exchanger					1		KB00Y233G02		
134	R61 210 690	Cover pipe assy 1		1	1	1	1		KJ00H039G01		
135	R61 211 690	Cover pipe assy 2		1	1	1	1		KJ00H042G01		
136	R61 054 529	Drain pan assy		1	1	1			KB00T352G09		
137	R61 055 529	Drain pan assy					1		KB00T352G10		
138	R61 362 651	Panel assy UD1		1	1	1			KD00R262G04		
139	R61 363 651	Panel assy UD1					1		KD00R262G05		
140	R61 138 651	Panel assy UD2		1	1	1			KB00R306G14		
141	R61 139 651	Panel assy UD2					1		KB00R306G15		

PEFY-WP20,WP25,WP32VMA-E
PEFY-WP40,WP50,WP63VMA-E
PEFY-WP71,WP80,WP100,WP125VMA-E

BLOWER PARTS



In case of P25 and P32



*1 Motor (Parts No.211, 213, and 215) comes with rubber mounts.

PEFY-WP20,WP25,WP32VMA-E
 PEFY-WP40,WP50,WP63VMA-E
 PEFY-WP71,WP80,WP100,WP125VMA-E

BLOWER PARTS

No.	Part No.	Part Name	Spec.	PEFY-WP20VMA-E	PEFY-WP25VMA-E	PEFY-WP32VMA-E	PEFY-WP40VMA-E	PEFY-WP50VMA-E	PEFY-WP63VMA-E	Dwg. No.	Notes for the models	Revision info.
201	R61 023 128	Motor base	P20	1	1	1	1	1	1	KB02B861H03		
202	R61 012 129	Fan case U		1			2	2	2	KB25A145H03		
203	R61 007 129	Fan case U			1	1				KB25A144H02		
204	R61 013 129	Fan case L		1			2	2	2	KB25A147H03		
205	R61 009 129	Fan case L			1	1				KD00T025G02		
206	R61 007 114	Sirocco fan assy	200	1			2	2	2	KJ00G856G03		
207	R61 008 114	Sirocco fan assy	320		1	1				KJ00G857G02		
208	R61 001 505	Rubber mount L			1	1				KB31D833H01		Chg.
209	R61 002 505	Rubber mount R			1	1				KB31D833H02		Chg.
210	R63 652 131	Attachment		2	2	2	2	2	2	W353715H01		
211	R61 400 220	Motor	P20 SIC-70CW-D885-1	1						KB00C2HGG01	*1 Includes rubber mounts	Chg.
212	R61 163 220	Motor	P40 SIC-70CW-D885-2		1	1				KB61B961H06		
213	R61 401 220	Motor	P63 SIC-70CW-D8121-1				1	1	1	KB00C2HGG02	*1 Includes rubber mounts	Chg.
214	R61 024 128	Motor base								KB02B862H03		
215	R61 402 220	Motor	SIC-101CW-D8244-1							KB00C2HGG03	*1 Includes rubber mounts	Chg.
216	R63 Y01 015	Clamp ferrite								P419042X01		
217	R61 037 104	Rubber mount		1			1	1	1	KB00C2HHG01		Add.
218	R61 038 104	Rubber mount								KB00C2HHG02		Add.

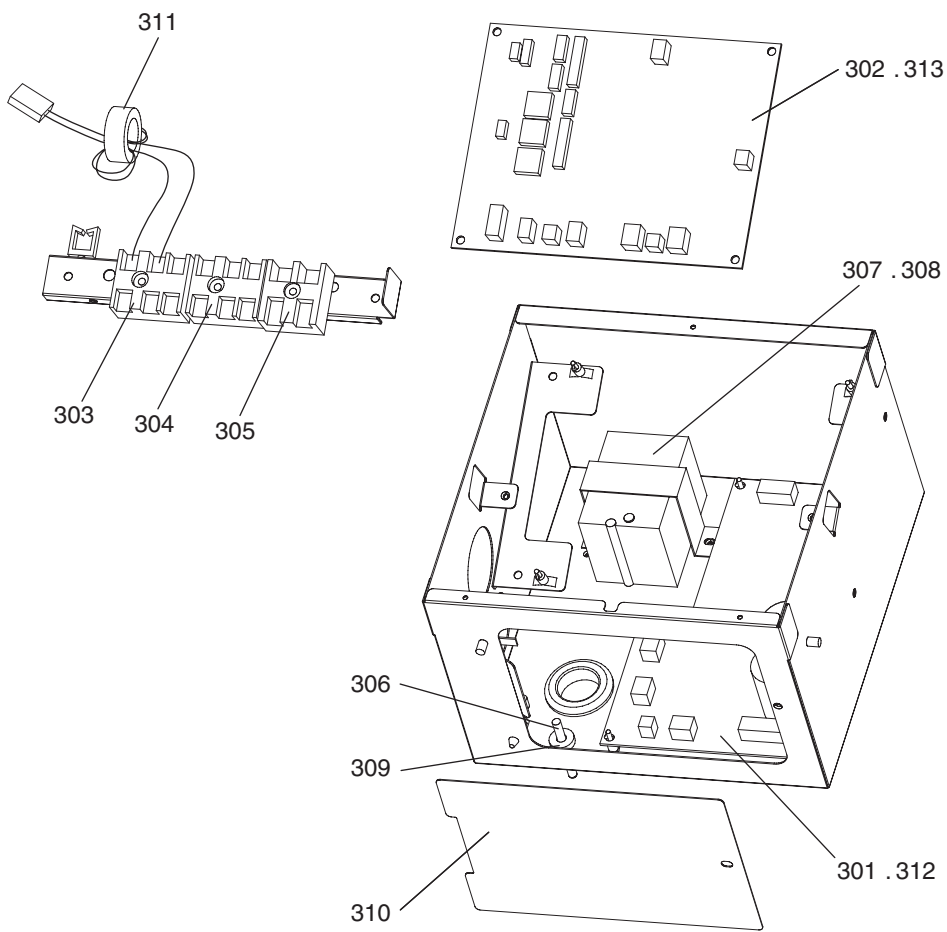
PEFY-WP20,WP25,WP32VMA-E
PEFY-WP40,WP50,WP63VMA-E
PEFY-WP71,WP80,WP100,WP125VMA-E

BLOWER PARTS

No.	Part No.	Part Name	Spec.	PEFY-WP71VMA-E	PEFY-WP80VMA-E	PEFY-WP100VMA-E	PEFY-WP125VMA-E	Dwg. No.	Notes for the models	Revision info.
201	R61 023 128	Motor base	P20					KB02B861H03		
202	R61 012 129	Fan case U						KB25A145H03		
203	R61 007 129	Fan case U		2	2	2	2	KB25A144H02		
204	R61 013 129	Fan case L						KB25A147H03		
205	R61 009 129	Fan case L		2	2	2	2	KD00T025G02		
206	R61 007 114	Sirocco fan assy	200					KJ00G856G03		
207	R61 008 114	Sirocco fan assy	320	2	2	2	2	KJ00G857G02		
208	R61 001 505	Rubber mount L						KB31D833H01		Chg.
209	R61 002 505	Rubber mount R						KB31D833H02		Chg.
210	R63 652 131	Attachment		2	2	2	2	W353715H01		
211	R61 400 220	Motor	P20 SIC-70CW-D885-1					KB00C2HGG01	*1 Includes rubber mounts	Chg.
212	R61 163 220	Motor	P40 SIC-70CW-D885-2					KB61B961H06		
213	R61 401 220	Motor	P63 SIC-70CW-D8121-1					KB00C2HGG02	*1 Includes rubber mounts	Chg.
214	R61 024 128	Motor base		1	1	1	1	KB02B862H03		
215	R61 402 220	Motor	SIC-101CW-D8244-1	1	1	1	1	KB00C2HGG03	*1 Includes rubber mounts	Chg.
216	R63 Y01 015	Clamp ferrite		1	1	1	1	P419042X01		
217	R61 037 104	Rubber mount						KB00C2HHG01		Add.
218	R61 038 104	Rubber mount		1	1	1	1	KB00C2HHG02		Add.

PEFY-WP20,WP25,WP32VMA-E
PEFY-WP40,WP50,WP63VMA-E
PEFY-WP71,WP80,WP100,WP125VMA-E

CONTROL BOX PARTS



PEFY-WP20,WP25,WP32VMA-E
 PEFY-WP40,WP50,WP63VMA-E
 PEFY-WP71,WP80,WP100,WP125VMA-E

CONTROL BOX PARTS

No.	Part No.	Part Name	Spec.							Dwg. No.	Notes for the models	Revision info.
				PEFY-WP20VMA-E	PEFY-WP25VMA-E	PEFY-WP32VMA-E	PEFY-WP40VMA-E	PEFY-WP50VMA-E	PEFY-WP63VMA-E			
301	R63 124 280	PCA board	PW 3A	1	1	1	1	1	1	KE80C349G03		
302	R61 654 280	PCA board	INDOOR CONTROL	1	1	1	1	1		KE80C349G18		
303	R61 021 246	Terminal block assy		1	1	1	1	1	1	BH00C267G05		
304	R61 022 246	Terminal block assy		1	1	1	1	1	1	BH00C267G04		
305	R61 023 246	Terminal block		1	1	1	1	1	1	BH73L021H01		
306	R61 103 200	Thermistor-S	250XAP	1	1	1	1	1	1	RG71J628H01	<TH21>inlet	
307	R61 018 259	Reactor	3A3	1	1	1				KE65D486H02		
308	R61 019 259	Reactor	3A6				1	1	1	KE65D487H01		
309	R63 003 104	Cord bush		1	1	1	1	1	1	P695114X01		
310	R61 069 690	Box under cover		1	1	1	1	1	1	KB02K887H02		
311	R61 002 015	Clamp ferrite fob		1	1	1	1	1	1	KE65D273H01		
312	R63 125 280	PCA board	PW 5A							KE80C349G04		
313	R61 655 280	PCA board	INDOOR CONTROL						1	KE80C349G33		

PEFY-WP20,WP25,WP32VMA-E
 PEFY-WP40,WP50,WP63VMA-E
 PEFY-WP71,WP80,WP100,WP125VMA-E

CONTROL BOX PARTS

No.	Part No.	Part Name	Spec.	PEFY-WP71VMA-E	PEFY-WP80VMA-E	PEFY-WP100VMA-E	PEFY-WP125VMA-E	Dwg. No.	Notes for the models	Revision info.
301	R63 124 280	PCA board	PW 3A					KE80C349G03		
302	R61 654 280	PCA board	INDOOR CONTROL					KE80C349G18		
303	R61 021 246	Terminal block assy		1	1	1	1	BH00C267G05		
304	R61 022 246	Terminal block assy		1	1	1	1	BH00C267G04		
305	R61 023 246	Terminal block		1	1	1	1	BH73L021H01		
306	R61 103 200	Thermistor-S	250XAP	1	1	1	1	RG71J628H01	<TH21>inlet	
307	R61 018 259	Reactor	3A3					KE65D486H02		
308	R61 019 259	Reactor	3A6	1	1	1	1	KE65D487H01		
309	R63 003 104	Cord bush		1	1	1	1	P695114X01		
310	R61 069 690	Box under cover		1	1	1	1	KB02K887H02		
311	R61 002 015	Clamp ferrite fob		1	1	1	1	KE65D273H01		
312	R63 125 280	PCA board	PW 5A	1	1	1	1	KE80C349G04		
313	R61 655 280	PCA board	INDOOR CONTROL	1	1	1	1	KE80C349G33		

mitsubishi
electric
corporation

BWE1139D (20200731)