

SERVICE PARTS LIST FOR MITSUBISHI ELECTRIC PACKAGED AIR-CONDITIONERS

Series : PEFY-WL•VMHS-A.TH

REVISED

Mar. 2021

BWE02023A

INDEX

PEFY-WL40VMHS-A.TH

PEFY-WL50VMHS-A.TH

PEFY-WL63VMHS-A.TH

PEFY-WL71VMHS-A.TH

PEFY-WL80VMHS-A.TH

PEFY-WL100VMHS-A.TH

PEFY-WL125VMHS-A.TH

Part information update day : 2021/03/25

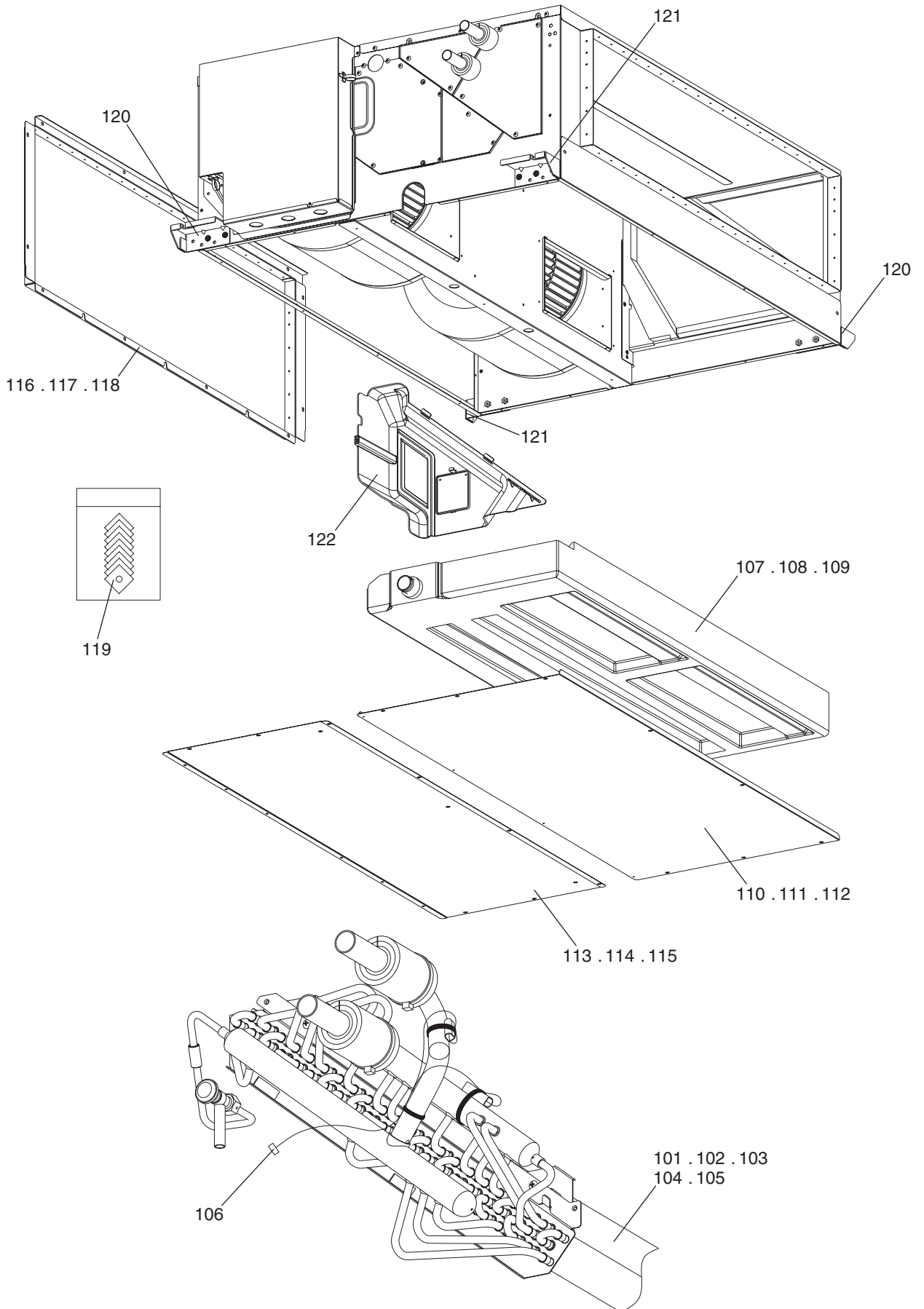
Please change the old catalog (issued Jan. 2021, No.BWE020230) to this new catalog.

Content of revision : Some of parts are changed.



PEFY-WL40,WL50,WL63,WL71VMHS-A.TH
PEFY-WL80,WL100,WL125VMHS-A.TH

EXTERNAL PARTS



PEFY-WL40,WL50,WL63,WL71VMHS-A.TH
 PEFY-WL80,WL100,WL125VMHS-A.TH

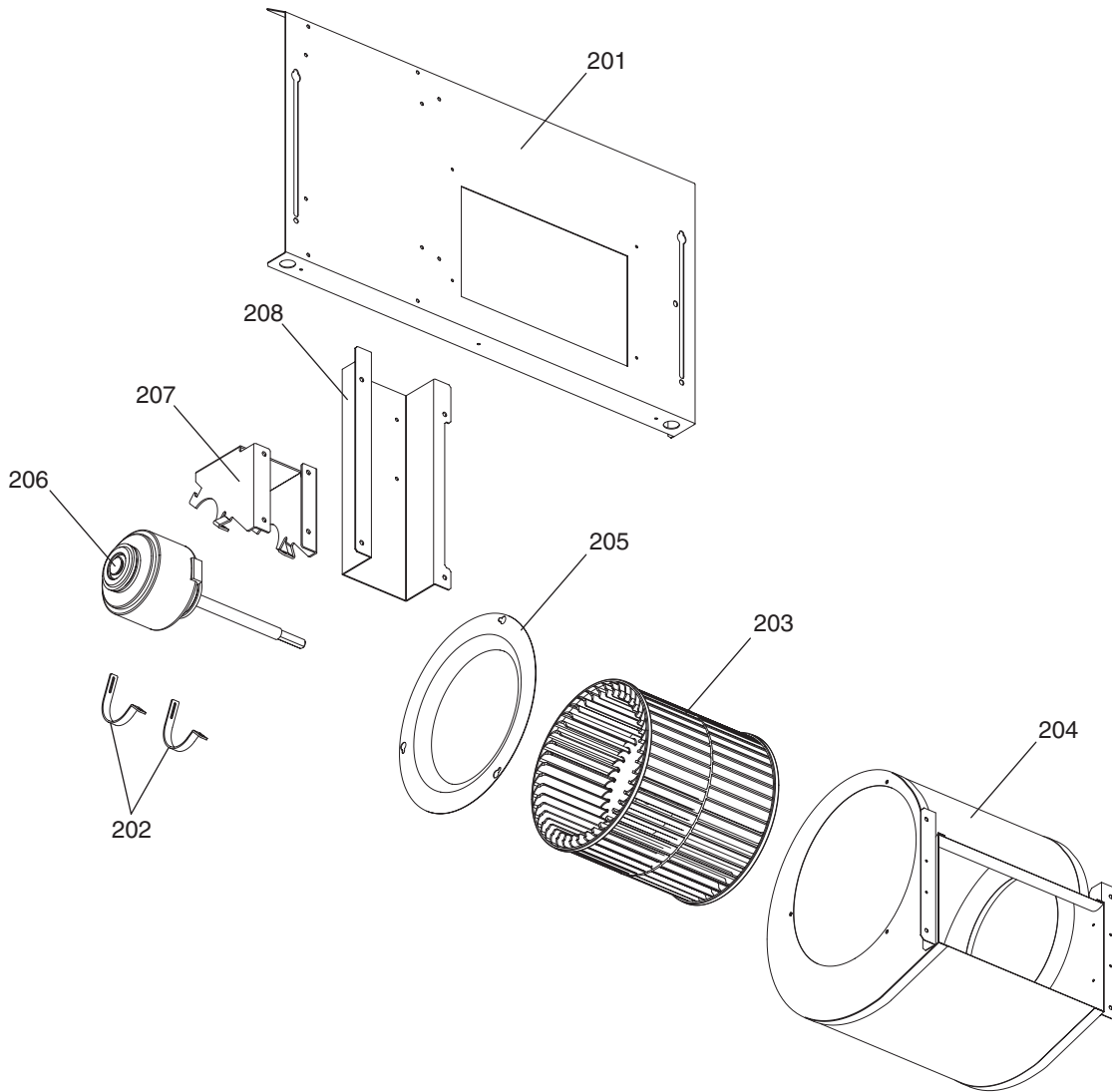
EXTERNAL PARTS

No.	Part No.	Part Name	Spec.	PEFY-WL40VMHS-A.TH	PEFY-WL50VMHS-A.TH	PEFY-WL63VMHS-A.TH	PEFY-WL71VMHS-A.TH	PEFY-WL80VMHS-A.TH	PEFY-WL100VMHS-A.TH	Dwg. No.	Notes for the models	Revision info.
101	E27 07E 620	HEAT EXCHANGER		1	1					VQ00A408B01		
102	E27 09E 620	HEAT EXCHANGER				1				VQ00A408B02		
103	E27 10E 620	HEAT EXCHANGER					1	1		VQ00A408B03		
104	E27 11E 620	HEAT EXCHANGER							1	VQ00A408B04		
105	E27 12E 620	HEAT EXCHANGER								VQ00A408B05		
106	E27 319 307	THERMISTOR	TH22,TH23	1	1	1	1	1	1	RG71V202G01		
107	E27 C61 700	DRAIN PAN ASSY	S	1	1	1				KJ00L910G07		
108	E27 C64 700	DRAIN PAN ASSY	M				1	1		KJ00L910G08		
109	E27 C66 700	DRAIN PAN ASSY	L						1	KJ00L910G09		
110	E27 K60 810	PLATE ASSY UD1	S	1	1	1				KJ00L912G13		
111	E27 K63 810	PLATE ASSY UD1	M				1	1		KJ00L912G14		
112	E27 11E 810	PLATE ASSY UD1	L						1	KJ00L912G16		Chg.
113	E27 K60 811	PLATE ASSY UD2	S	1	1	1				VR00C300G04		
114	E27 K63 811	PLATE ASSY UD2	M				1	1		VR00C300G05		
115	E27 11E 811	PLATE ASSY UD2	L						1	VR00C636G02		Chg.
116	E27 07E 709	FLANGE ASSY	S	1	1	1				KJ00L920G10		Chg.
117	E27 10E 709	FLANGE ASSY	M				1	1		KJ00L920G11		Chg.
118	E27 11E 709	FLANGE ASSY	L						1	KJ00L920G12		Chg.
119	E27 C61 097	WASHER ASSY INS		8	8	8	8	8	8	KB00H224G05		
120	E27 921 810	PLATE HANGER WELD 1		2	2	2	2	2	2	KD00S338G01		
121	E27 924 810	PLATE HANGER WELD 2		2	2	2	2	2	2	KD00S340G01		
122	E27 K60 293	SEPARATOR ASSY		1	1	1	1	1	1	KD00S176G05		

PEFY-WL40,WL50,WL63,WL71VMHS-A.TH EXTERNAL PARTS
 PEFY-WL80,WL100,WL125VMHS-A.TH

No.	Part No.	Part Name	Spec.	PEFY-WL125VMHS-A.TH							Dwg. No.	Notes for the models	Revision info.
101	E27 07E 620	HEAT EXCHANGER									VQ00A408B01		
102	E27 09E 620	HEAT EXCHANGER									VQ00A408B02		
103	E27 10E 620	HEAT EXCHANGER									VQ00A408B03		
104	E27 11E 620	HEAT EXCHANGER									VQ00A408B04		
105	E27 12E 620	HEAT EXCHANGER		1							VQ00A408B05		
106	E27 319 307	THERMISTOR	TH22,TH23	1							RG71V202G01		
107	E27 C61 700	DRAIN PAN ASSY	S								KJ00L910G07		
108	E27 C64 700	DRAIN PAN ASSY	M								KJ00L910G08		
109	E27 C66 700	DRAIN PAN ASSY	L	1							KJ00L910G09		
110	E27 K60 810	PLATE ASSY UD1	S								KJ00L912G13		
111	E27 K63 810	PLATE ASSY UD1	M								KJ00L912G14		
112	E27 11E 810	PLATE ASSY UD1	L	1							KJ00L912G16		Chg.
113	E27 K60 811	PLATE ASSY UD2	S								VR00C300G04		
114	E27 K63 811	PLATE ASSY UD2	M								VR00C300G05		
115	E27 11E 811	PLATE ASSY UD2	L	1							VR00C636G02		Chg.
116	E27 07E 709	FLANGE ASSY	S								KJ00L920G10		Chg.
117	E27 10E 709	FLANGE ASSY	M								KJ00L920G11		Chg.
118	E27 11E 709	FLANGE ASSY	L	1							KJ00L920G12		Chg.
119	E27 C61 097	WASHER ASSY INS		8							KB00H224G05		
120	E27 921 810	PLATE HANGER WELD 1		2							KD00S338G01		
121	E27 924 810	PLATE HANGER WELD 2		2							KD00S340G01		
122	E27 K60 293	SEPARATOR ASSY		1							KD00S176G05		

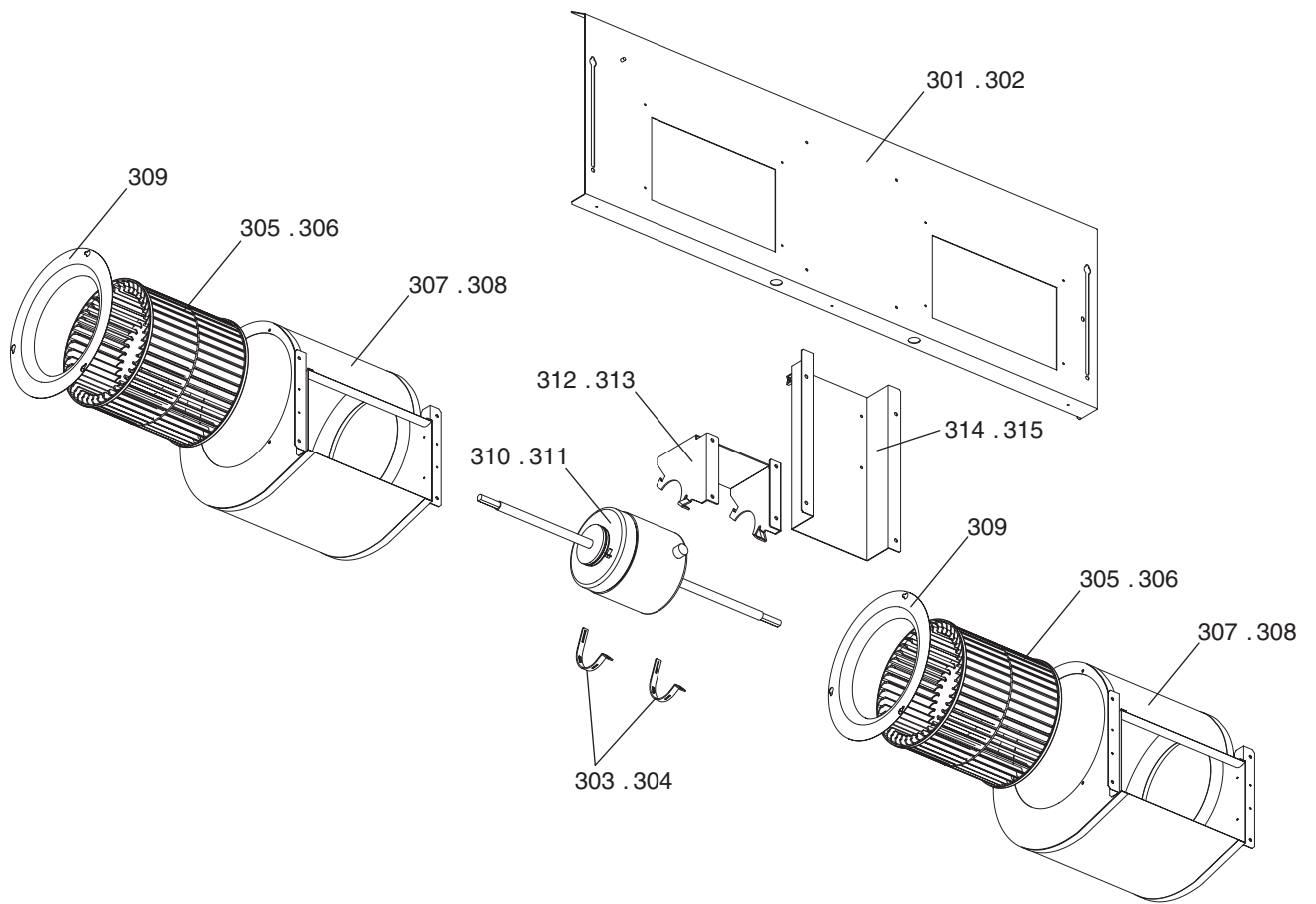
PEFY-WL40,WL50,WL63VMHS-A.TH BLOWER PARTS (1)



PEFY-WL40,WL50,WL63VMHS-A.TH BLOWER PARTS (1)

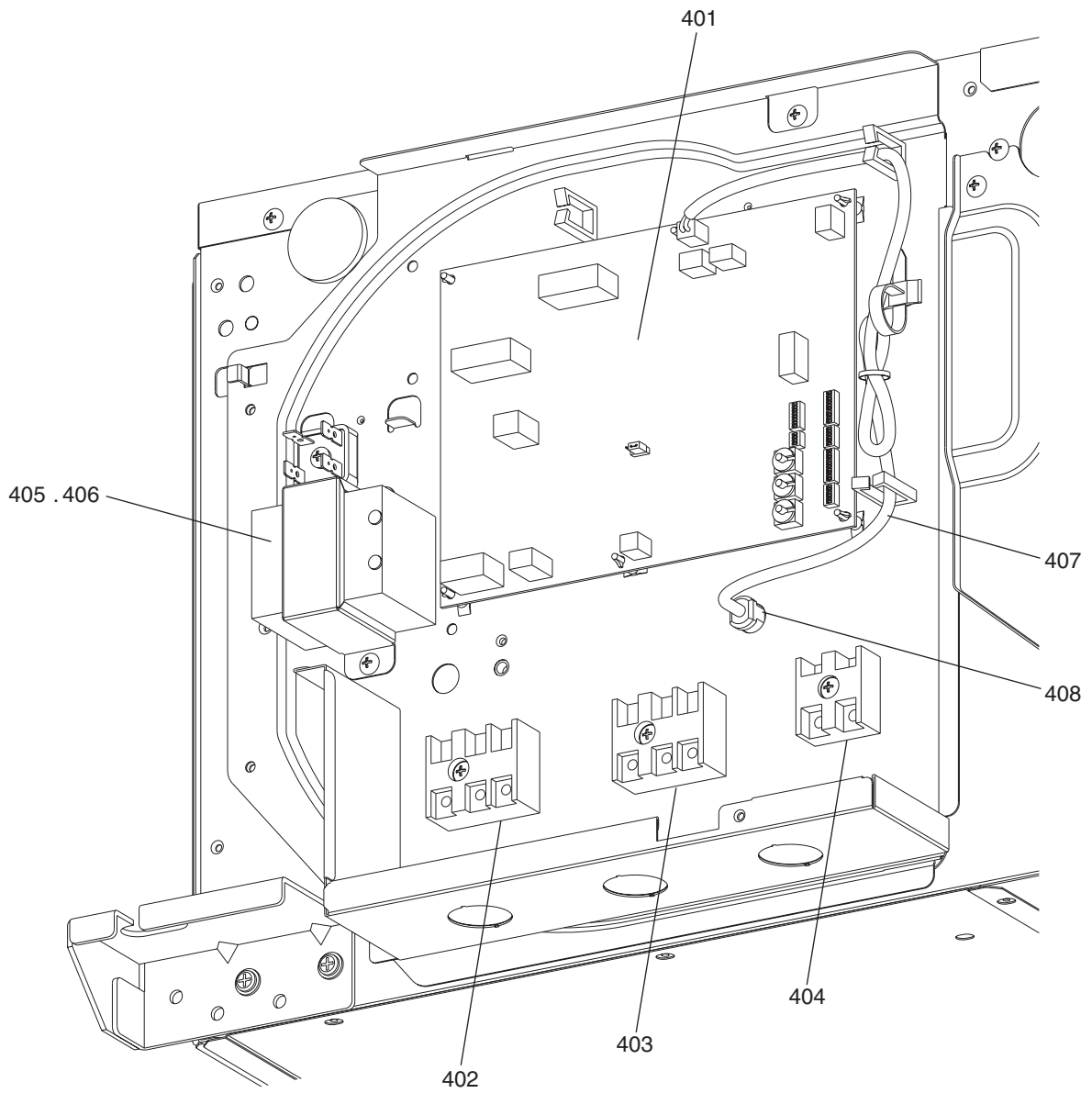
No.	Part No.	Part Name	Spec.	PEFY-WL40VMHS-A.TH	PEFY-WL50VMHS-A.TH	PEFY-WL63VMHS-A.TH			Dwg. No.	Notes for the models	Revision info.
201	E27 K73 810	FAN PLATE	S	1	1	1			VR02B081G02		
202	KB02H047G02	ATTACHMENT		2	2	2			KB02H047G02		
203	E27 C61 500	SIROCCO FAN ASSY		1	1	1			KJ00R045G02		
204	E27 K60 129	FAN CASE ASSY		1	1	1			KJ00R246G03		
205	E27 C61 509	BELL MOUTH		1	1	1			VR02D006G02		
206	E27 K60 300	MOTOR	SIC-70CW-D8121-3	1	1	1			KR61C462H02		
207	E27 K60 334	MOTOR LEG	S	1	1	1			VR02C296G01		
208	E27 K60 128	MOTOR BASE	S	1	1	1			VR02C294G01		

PEFY-WL71,WL80,WL100VMHS-A.TH BLOWER PARTS (2)
PEFY-WL125VMHS-A.TH



**PEFY-WL71,WL80,WL100VMHS-A.TH BLOWER PARTS (2)
PEFY-WL125VMHS-A.TH**

No.	Part No.	Part Name	Spec.	PEFY-WL71VMHS-A.TH	PEFY-WL80VMHS-A.TH	PEFY-WL100VMHS-A.TH	PEFY-WL125VMHS-A.TH			Dwg. No.	Notes for the models	Revision info.
301	E27 K77 810	FAN PLATE	M	1	1					VR02B082G02		
302	E27 K79 810	FAN PLATE	L			1	1			VR02A024G02		
303	KB02H047G02	ATTACHMENT		2	2					KB02H047G02		
304	VR02C299G01	ATTACHMENT MOTOR				2	2			VR02C299G01		
305	E27 K63 500	SIROCCO FAN ASSY		2	2					KJ00R045G03		
306	E27 C61 500	SIROCCO FAN ASSY				2	2			KJ00R045G02		
307	E27 K63 129	FAN CASE ASSY		2	2					KJ00R247G04		
308	E27 K60 129	FAN CASE ASSY				2	2			KJ00R246G03		
309	E27 C61 509	BELL MOUTH		2	2	2	2			VR02D006G02		
310	E27 K63 300	MOTOR	SIC-101CW-D8244-3	1	1					KR61C463H01		
311	E27 W38 300	MOTOR	KMUC4E3MW			1	1			KR61B245H01		
312	E27 K60 334	MOTOR LEG	M	1	1					VR00D296G01		
313	E27 K63 334	MOTOR LEG	L			1	1			VR00D297G02		
314	E27 K63 128	MOTOR BASE	M	1	1					VR02C295G02		
315	E27 25C 128	MOTOR BASE	L			1	1			VR00D549G01		



No.	Part No.	Part Name	Spec.	PEFY-WL40VMHS-A.TH	PEFY-WL50VMHS-A.TH	PEFY-WL63VMHS-A.TH	PEFY-WL71VMHS-A.TH	PEFY-WL80VMHS-A.TH	PEFY-WL100VMHS-A.TH	Dwg. No.	Notes for the models	Revision info.
401	E27 07E 447	PRINTED CIRCUIT ASSEMBLY	INDOOR CONTROL	1	1	1	1	1	1	KE01H548B01		
402	E27 642 375	TERMINAL BED ASSY		1	1	1	1	1	1	BH00C267G05		
403	E27 154 375	TERMINAL BED ASSY		1	1	1	1	1	1	BH00C267G04		
404	E27 156 375	TERMINAL BED ASSY		1	1	1	1	1	1	BG00R200G62		
405	E27 K60 337	REACTOR	3A6	1	1	1	1	1		KR65C489H01		
406	E27 K65 337	REACTOR	5A6						1	KR65C482H01		
407	E27 159 308	THERMISTOR-S	TH21	1	1	1	1	1	1	RG71B018H04		
408	E27 319 013	BUSH	SRB-R-2	1	1	1	1	1	1	KB32K138H01		

PEFY-WL40,WL50,WL63,WL71VMHS-A.TH CONTROL BOX PARTS
PEFY-WL80,WL100,WL125VMHS-A.TH

No.	Part No.	Part Name	Spec.	PEFY-WL125VMHS-A.TH					Dwg. No.	Notes for the models	Revision info.
401	E27 07E 447	PRINTED CIRCUIT ASSEMBLY	INDOOR CONTROL	1					KE01H548B01		
402	E27 642 375	TERMINAL BED ASSY		1					BH00C267G05		
403	E27 154 375	TERMINAL BED ASSY		1					BH00C267G04		
404	E27 156 375	TERMINAL BED ASSY		1					BG00R200G62		
405	E27 K60 337	REACTOR	3A6						KR65C489H01		
406	E27 K65 337	REACTOR	5A6	1					KR65C482H01		
407	E27 159 308	THERMISTOR-S	TH21	1					RG71B018H04		
408	E27 319 013	BUSH	SRB-R-2	1					KB32K138H01		

mitsubishi
electric
corporation

BWE02023A (20210331)