

SERVICE PARTS LIST FOR MITSUBISHI ELECTRIC PACKAGED AIR-CONDITIONERS

Series : PEFY-P•VMHS-E-F

REVISED

Feb. 2020

BWE01805C

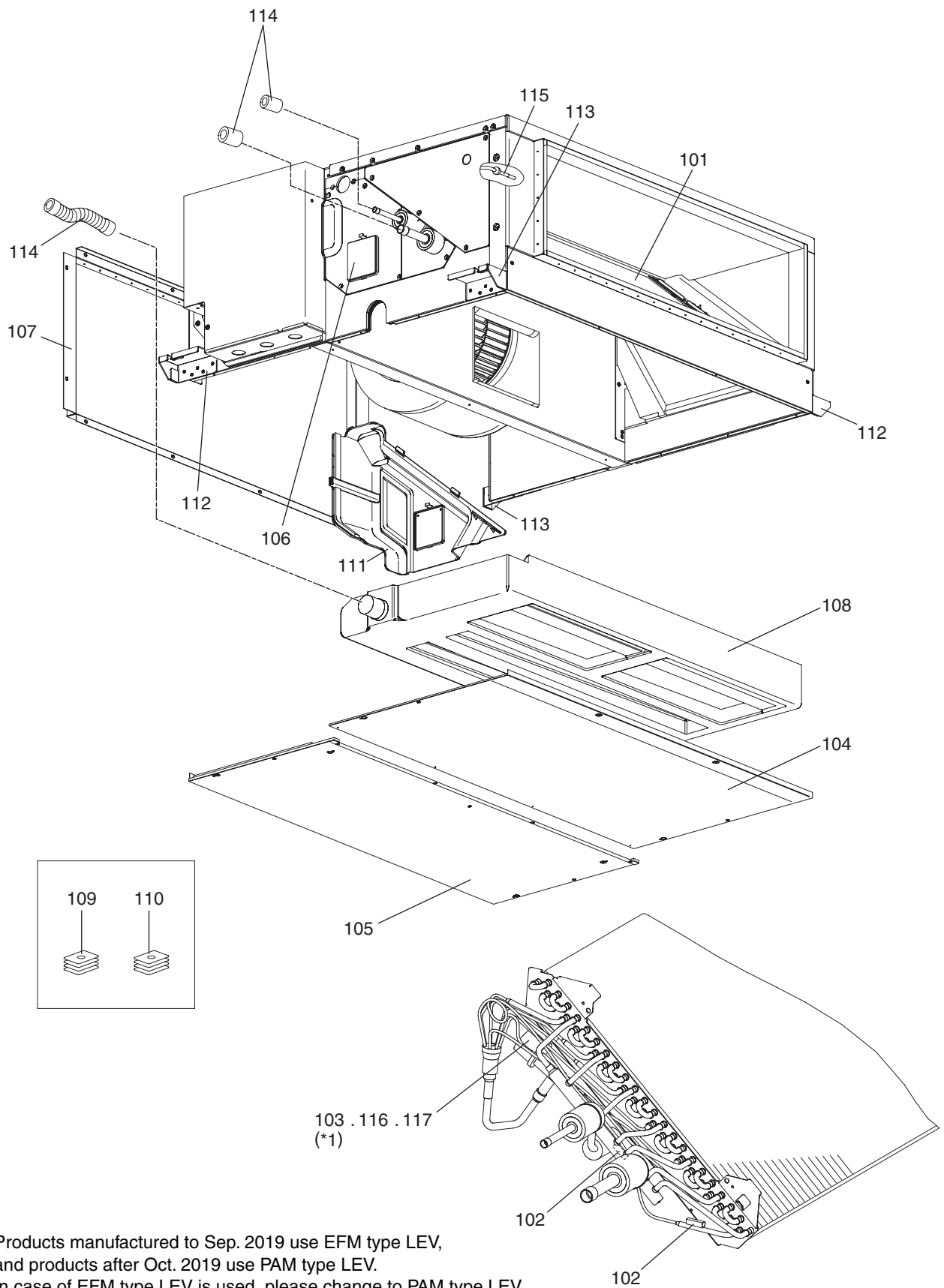
INDEX
PEFY-P125VMHS-E-F
PEFY-P200VMHS-E-F
PEFY-P250VMHS-E-F

Part information update day : 2020/01/28

Please change the old catalog (issued Aug. 2019, No.BWE01805B) to this new catalog.

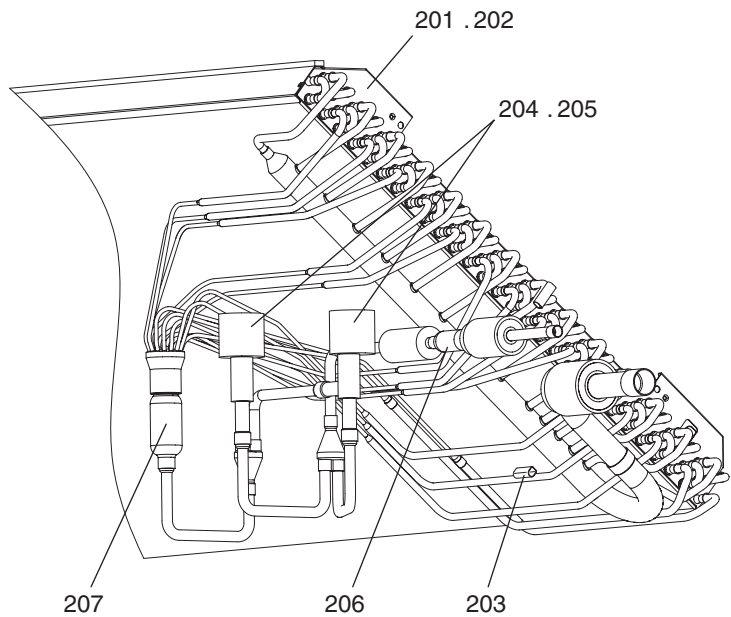
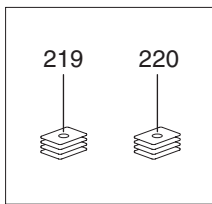
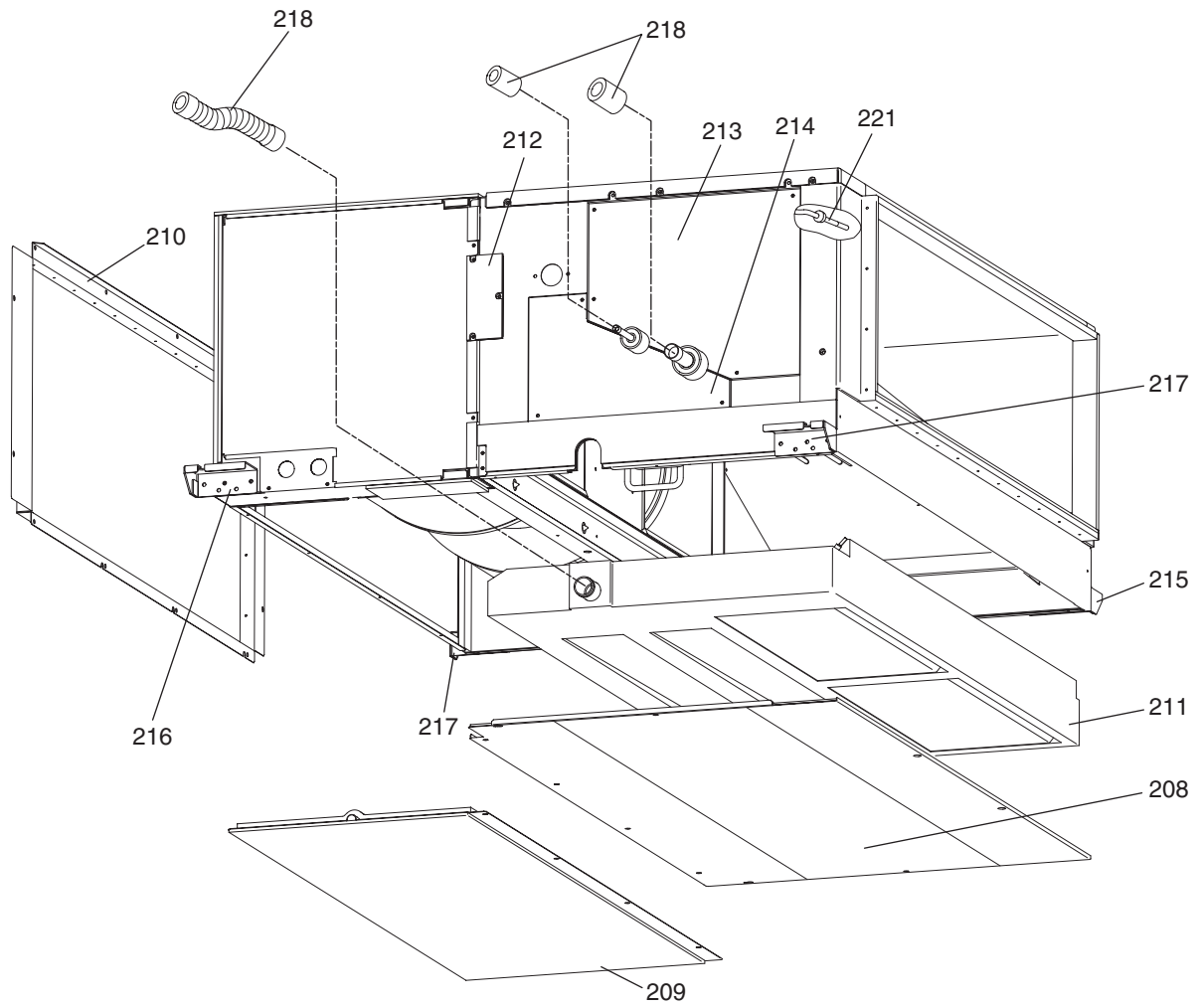
Content of revision : Some of parts are changed.



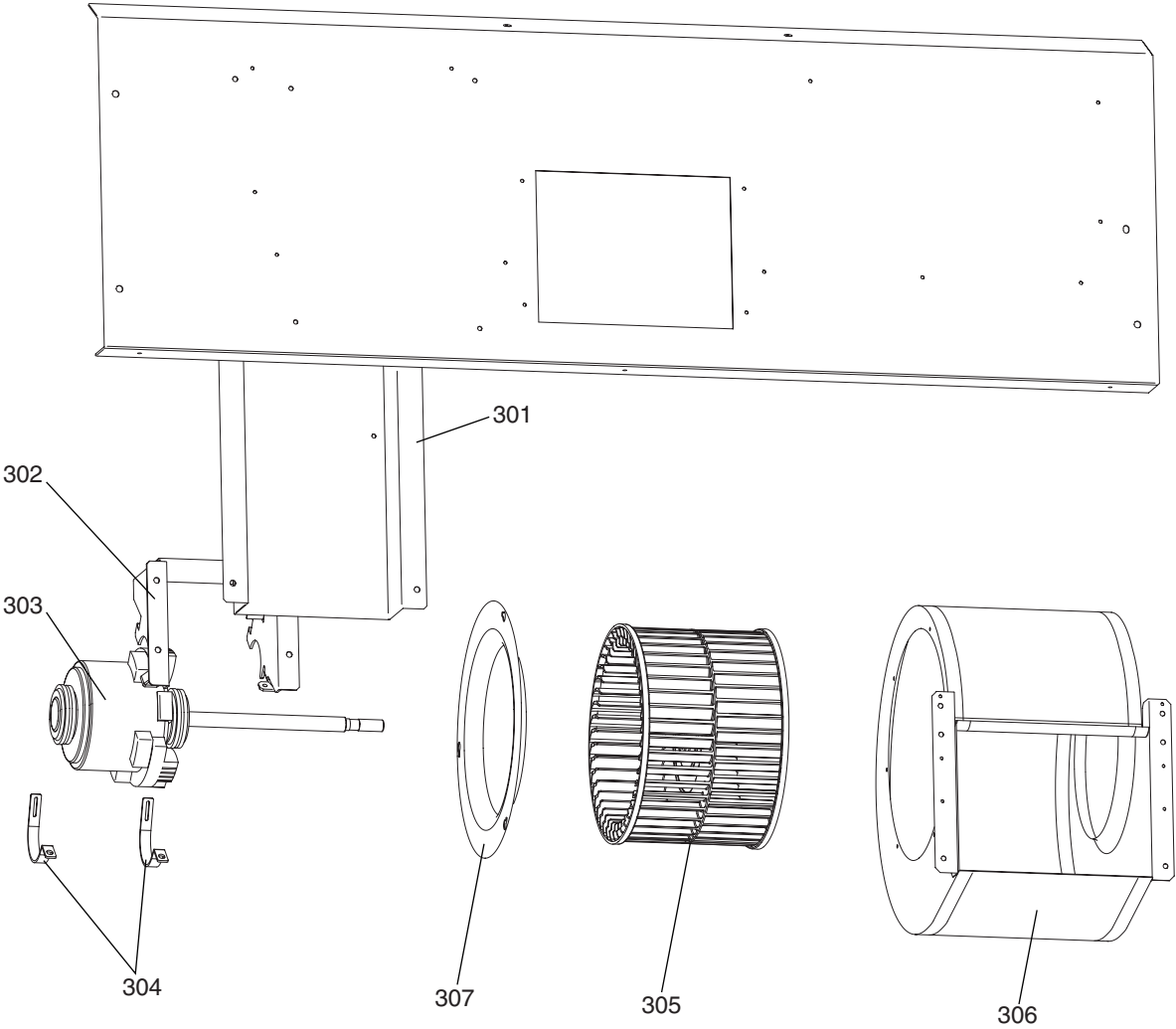


*1 Products manufactured to Sep. 2019 use EFM type LEV, and products after Oct. 2019 use PAM type LEV. In case of EFM type LEV is used, please change to PAM type LEV. In that case, replace it with a set of 103 and 116. Please order 117 when replacing only the motor part with EFM type.

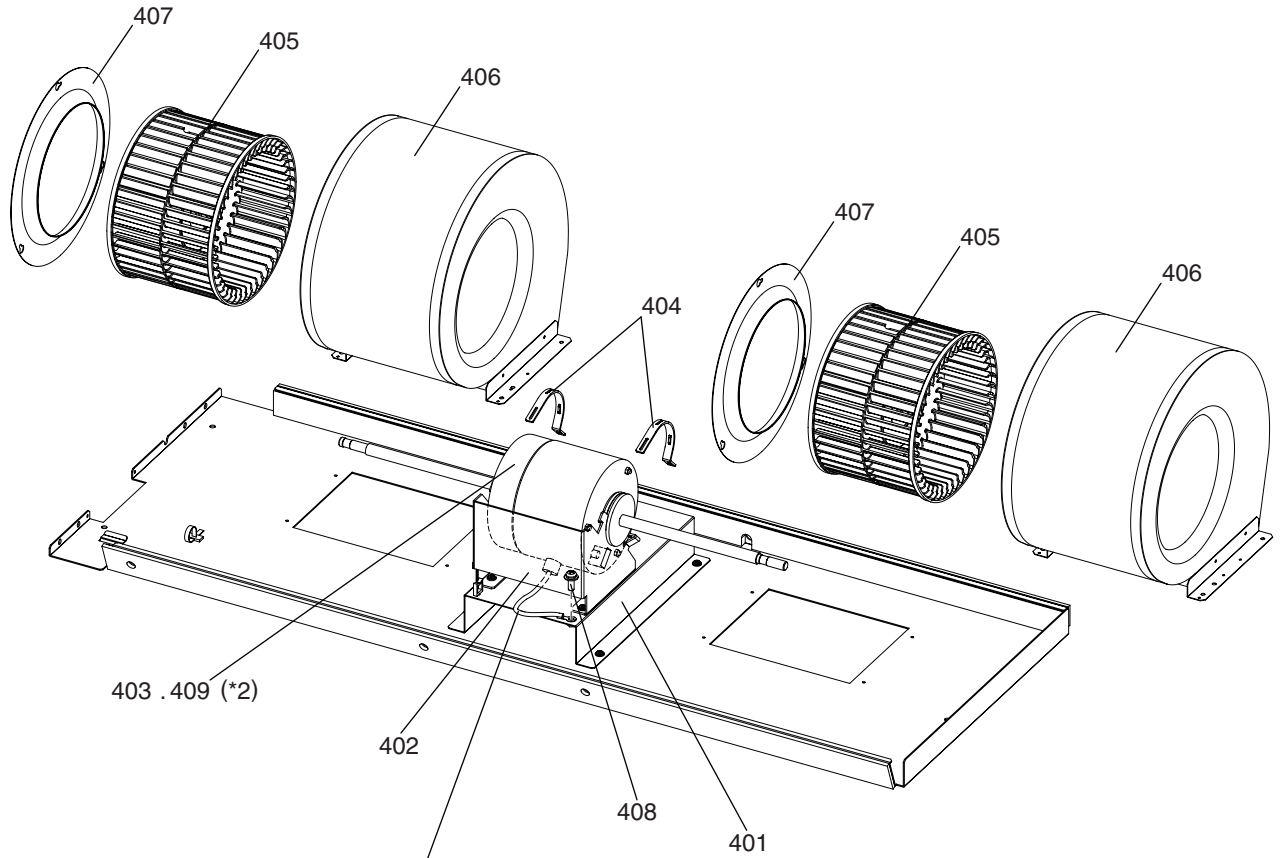
No.	Part No.	Part Name	Spec.	PEFY-P125VMHS-E-F								Dwg. No.	Notes for the models	Revision info.
101	R61 F37 480	Heat exchanger		1								KB00N752G10		
102	R61 123 200	Thermistor		1								P418090X01	<TH22>liquid<TH23>gas	
103	R61 044 401	Linear expansion valve	PAM-B80YGMD-1	1								P632539X01	*1	
104	R61 091 661	Plate bottom A		1								KL00R278G02		
105	R61 092 661	Plate bottom B		1								KL00R279G01		
106	R61 008 086	Cap		1								KD00H638G03		
107	R61 068 457	Flange assy		1								W630274G12		
108	R61 190 529	Drain pan		1								KJ00G464G06		
109	R63 7E4 136	Washer	Insulated	4								W909697G01		
110	R61 006 136	Washer		4								W909695H01		
111	R61 051 667	Separator		1								KD00H783G02		
112	R61 021 326	Hanging metal fittings		2								KB00P817G03		
113	R61 022 326	Hanging metal fittings		2								KB00P817G04		
114	R61 062 525	Drain hose set		1								KL00T368G05		
115	R61 335 200	Thermistor	MDW106H	1								KJ78K318G02	<TH21>outlet	
116	R61 065 243	Solenoid valve coil	PAM-MD12MD-26	1								KR50B236H01	*1	
117	R61 105 401	Linear expansion valve	EFM-80YGMD-24	1								P632635X01	*1	



No.	Part No.	Part Name	Spec.	PEFY-P200VMHS-E-F	PEFY-P250VMHS-E-F					Dwg. No.	Notes for the models	Revision info.
201	R61 F43 480	Heat exchanger		1						KD00J718G02		
202	R61 F44 480	Heat exchanger			1					KD00J719G02		
203	R61 123 200	Thermistor		1	1					P418090X01	<TH22>liquid<TH23>gas	
204	R61 044 401	Linear expansion valve		2	2					P632539X01		
205	R61 065 243	Solenoid coil		2	2					KR50B236H01		
206	R63 A42 454	Strainer		1	1					W882823G01		
207	R61 010 454	Strainer		1	1					W882828G02		
208	R61 093 661	Plate bottom A		1	1					KL00R204G01		
209	R61 094 661	Plate bottom B		1	1					KL00L987G02		
210	R61 069 457	Flange		1	1					KL00R205G01		
211	R61 161 529	Drain Pan		1	1					W125114G37		
212	R61 099 690	Lead wire cover		1	1					KD00D349G01		
213	R61 098 690	Cover 1		1	1					W870642G02		
214	R61 097 690	Cover 2		1	1					W870643G02		
215	R61 021 326	Hanging metal fittings		1	1					KB00P817G03		
216	R61 019 326	Hanging metal fittings		1	1					KD02F002H01		
217	R61 020 326	Hanging metal fittings		2	2					KD02F002H02		
218	R61 059 525	Drain hose set		1	1					KL00T368G02		
219	R63 7E4 136	Washer	Insulated	4	4					W909697G01		
220	R61 006 136	Washer		4	4					W909695H01		
221	R61 335 200	Thermistor	MDW106H	1	1					KJ78K318G02	<TH21>outlet	

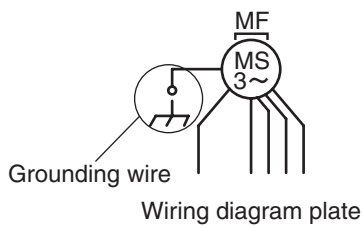


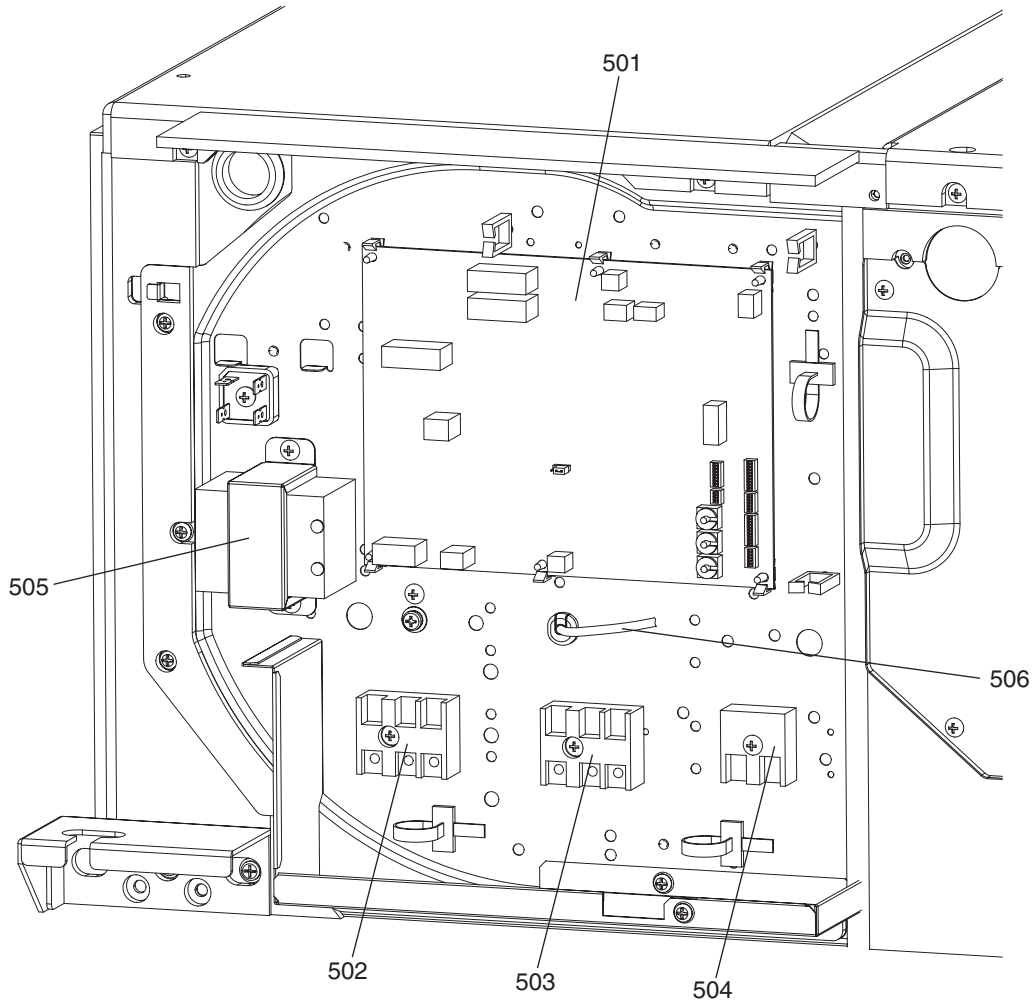
No.	Part No.	Part Name	Spec.	PEFY-P125VMHS-E-F							Dwg. No.	Notes for the models	Revision info.
301	R61 019 133	Motor stand		1							KJ00M540G01		Chg.
302	R61 044 130	Leg		1							KJ00H883G02		
303	R61 372 220	Motor	DC280-340V 244W	1							KR61C502H01	<MF>	
304	R63 652 131	Fixing plate		2							W353715H01		
305	R61 046 114	Sirocco fan assy		1							KJ00R045G03		
306	R61 020 109	Fan casing		1							W122291G08		
307	R63 F85 119	Bell mouth		1							W866104H01		



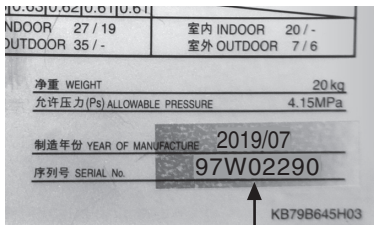
Grounding wire
(The grounding wire is provided only for units with the serial numbers 9ZW***** or later.)

*2 Units with the serial numbers 9YW***** or earlier do not have the grounding wire.
When replacing the motor on the unit that has no grounding wire, prepare 409, not 403.
To check whether the unit has the grounding wire or not, see the part indicated as "MF" on the wiring diagram plate.





Serial No. of Air Conditioning & Refrigeration Systems Works.



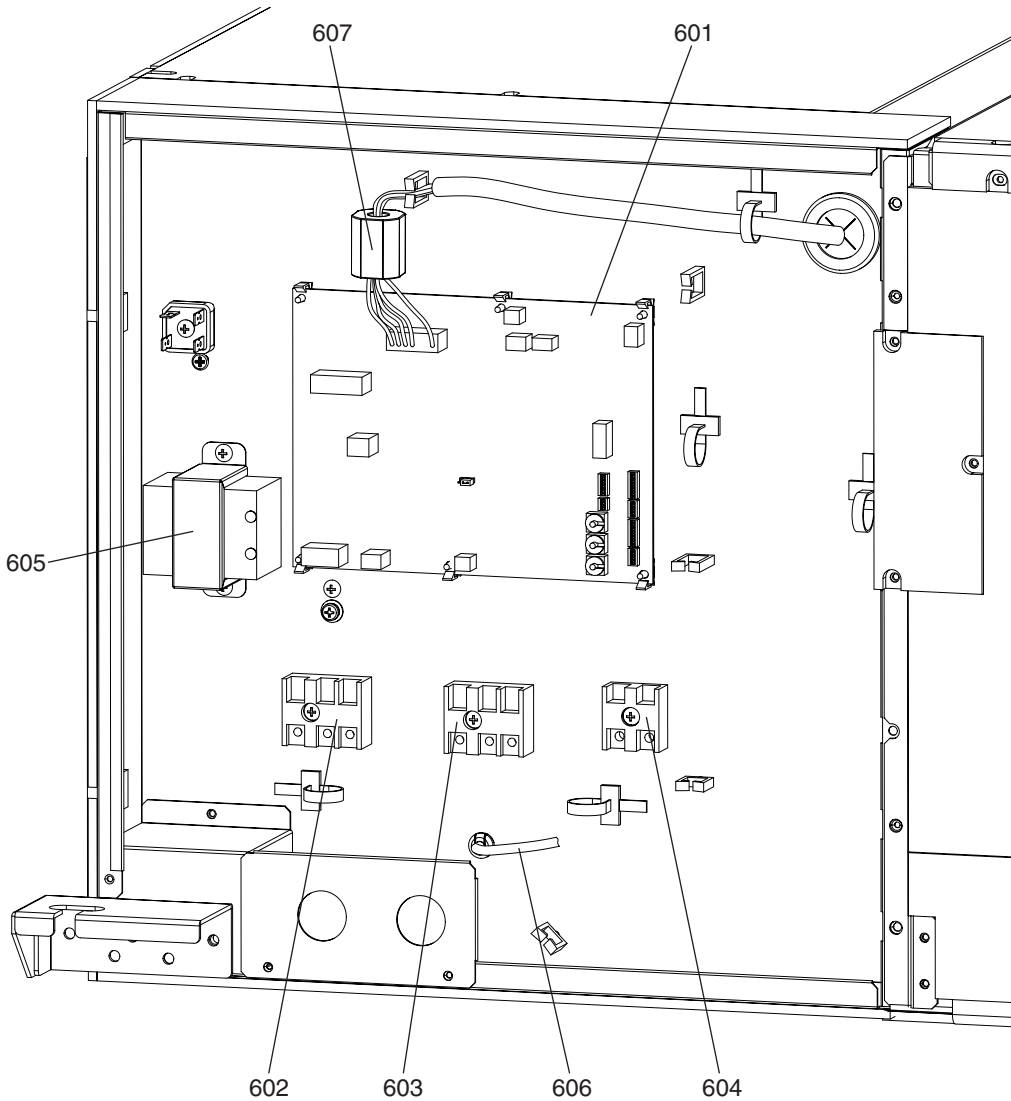
Serial No.

9 7 W 0 2 2 9 0

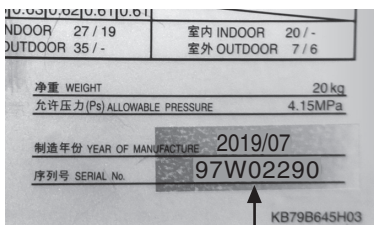
↑ ↑ ↑ ↑
Serial number
↑
Production month

Production **season** of Air Conditioning & Refrigeration Systems Works **April to March**
In this case, July / 2019

- Production month / season
- 9 4 April / 2019
 - 9 5 May / 2019
 - 9 6 June / 2019
 - 9 7 July / 2019
 - 9 8 August / 2019
 - 9 9 September / 2019
 - 9 X October / 2019
 - 9 Y November / 2019
 - 9 Z December / 2019
 - 9 1 January / 2020
 - 9 2 February / 2020
 - 9 3 March / 2020
 - 0 4 April / 2020
 - 0 5 May / 2020



Serial No. of Air Conditioning & Refrigeration Systems Works.



Serial No.

9 7 W 0 2 2 9 0

↑ ↑ ↑ ↑
Serial number

Air Conditioning & Refrigeration Systems Works
(Wakayama) identification.
W stands for W of WAKAYAMA.

↑ ↑ ↑ ↑
Production month

Production **season** of Air Conditioning & Refrigeration
Systems Works **April to March**
In this case, July / 2019

Production month / season

- 9 4 April / 2019
- 9 5 May / 2019
- 9 6 June / 2019
- 9 7 July / 2019
- 9 8 August / 2019
- 9 9 September / 2019
- 9 X October / 2019
- 9 Y November / 2019
- 9 Z December / 2019
- 9 1 January / 2020
- 9 2 February / 2020
- 9 3 March / 2020
- 0 4 April / 2020
- 0 5 May / 2020

MITSUBISHI ELECTRIC CORPORATION

BWE01805C (20200229)