

SERVICE PARTS LIST FOR MITSUBISHI ELECTRIC PACKAGED AIR-CONDITIONERS

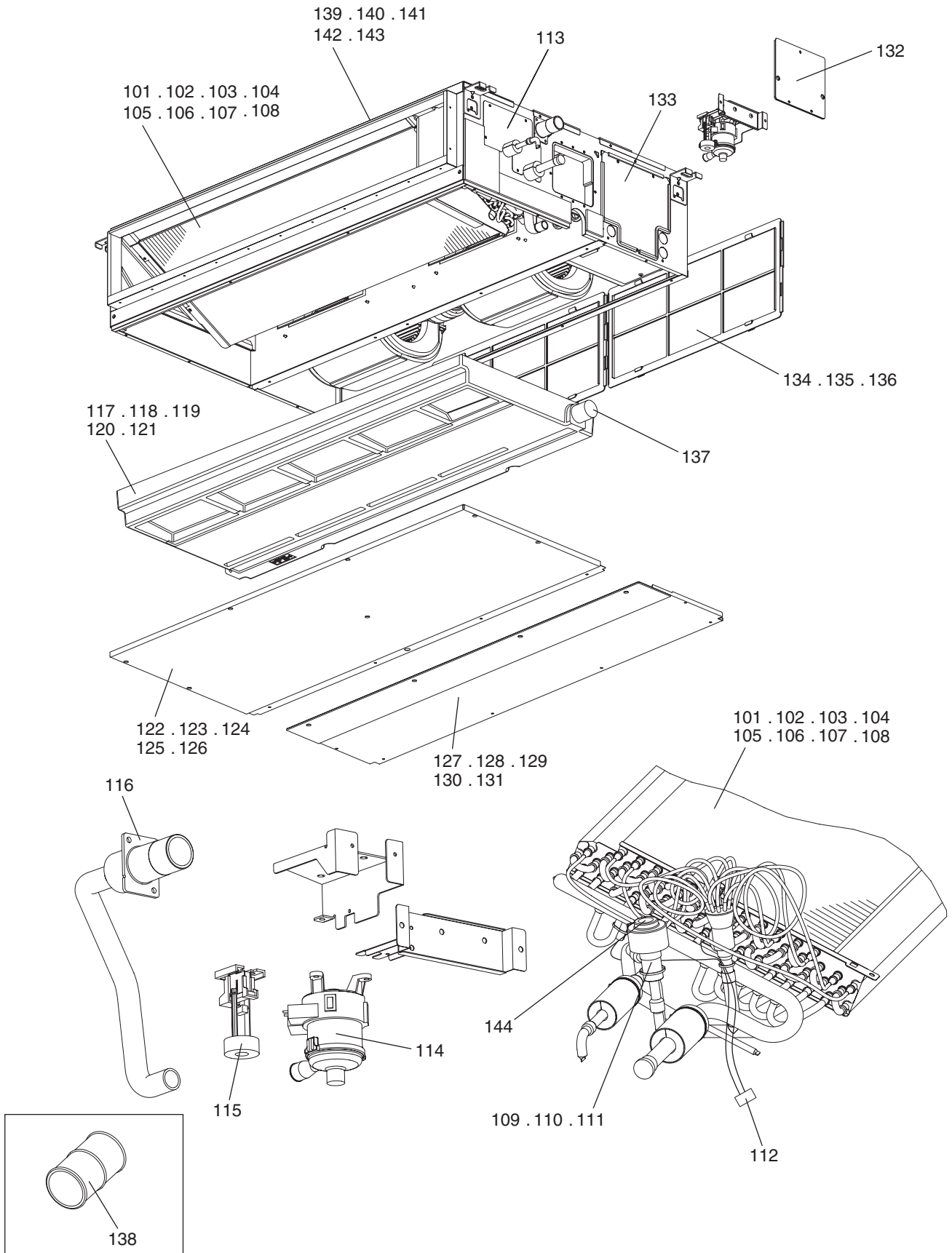
Series : PEFY-M•VMA-A1.UK
PEFY-M•VMAL-A1.UK

Mar. 2022
BWE022010

INDEX
PEFY-M20VMA(L)-A1.UK
PEFY-M25VMA(L)-A1.UK
PEFY-M32VMA(L)-A1.UK
PEFY-M40VMA(L)-A1.UK
PEFY-M50VMA(L)-A1.UK
PEFY-M63VMA(L)-A1.UK
PEFY-M71VMA(L)-A1.UK
PEFY-M80VMA(L)-A1.UK
PEFY-M100VMA(L)-A1.UK
PEFY-M125VMA(L)-A1.UK
PEFY-M140VMA(L)-A1.UK

PEFY-M20,M25,M32,M40VMA-A1.UK
 PEFY-M50,M63,M71,M80VMA-A1.UK
 PEFY-M100,M125,M140VMA-A1.UK

EXTERNAL PARTS (1)



PEFY-M20,M25,M32,M40VMA-A1.UK
 PEFY-M50,M63,M71,M80VMA-A1.UK
 PEFY-M100,M125,M140VMA-A1.UK

EXTERNAL PARTS (1)

No.	Part No.	Part Name	Spec.	PEFY-M20VMA-A1.UK	PEFY-M25VMA-A1.UK	PEFY-M32VMA-A1.UK	PEFY-M40VMA-A1.UK	PEFY-M50VMA-A1.UK	PEFY-M63VMA-A1.UK	PEFY-M71VMA-A1.UK	PEFY-M80VMA-A1.UK	Dwg. No.	Notes for the models	Revision info.
101	S70 E30 480	HEAT EXCHANGER		1	1							KB00Y051B01		
102	S70 E31 480	HEAT EXCHANGER				1						KB00Y051B02		
103	S70 E32 480	HEAT EXCHANGER					1					KB00Y051B03		
104	S70 M25 480	HEAT EXCHANGER						1				KB00Y117B06		
105	S70 E33 480	HEAT EXCHANGER							1			KB00Y117B01		
106	S70 E35 480	HEAT EXCHANGER										KB00Y117B03		
107	S70 E36 480	HEAT EXCHANGER										KB00Y041B01		
108	S70 E37 480	HEAT EXCHANGER										KB00Y041B02		
109	S70 E28 401	LINEAR EXPANSION VALVE 4	#PAM-B40YGMD-1	1	1	1	1	1	1	1	1	KR50B228H01		
110	S70 E29 401	LINEAR EXPANSION VALVE 8	#PAM-B80YGMD-1									KR50B229H01		
111	S70 E27 401	LINEAR EXPANSION VALVE 10	#PAM-BA0YGMD-1									KR50B230H01		
112	S70 100 202	THERMISTOR		1	1	1	1	1	1	1	1	KB71B945M01		
113	S70 E11 065	COVER PIPE ASSY		1	1	1	1	1	1	1	1	KB00M203G02		
114	S70 0B2 355	PUMP	PMD	1	1	1	1	1	1	1	1	BH56B946H05		
115	S70 0B2 266	FLOAT SWITCH		1	1	1	1	1	1	1	1	BH68T992K04		
116	S70 E50 527	SOCKET ASSY		1	1	1	1	1	1	1	1	KB00R308G07		
117	S70 E10 529	DRAIN PAN ASSY	M20	1	1	1						KB00R237G01		
118	S70 E20 529	DRAIN PAN ASSY	M40				1					KB00R237G02		
119	S70 E30 529	DRAIN PAN ASSY	M50					1	1			KB00R237G03		
120	S70 E40 529	DRAIN PAN ASSY	M71									KB00R237G04		
121	S70 E50 529	DRAIN PAN ASSY	M140									KB00R237G05		
122	S70 W06 669	PANEL ASSY UD1	M20	1	1	1						KL00R438G10		
123	S70 W02 669	PANEL ASSY UD1	M40				1					KL00R438G06		
124	S70 W03 669	PANEL ASSY UD1	M50					1	1			KL00R438G07		
125	S70 W04 669	PANEL ASSY UD1	M71									KL00R438G08		
126	S70 W05 669	PANEL ASSY UD1	M140									KL00R438G09		
127	S70 E02 669	PANEL ASSY UD2	M20	1	1	1						KB00R306G16		
128	S70 E04 669	PANEL ASSY UD2	M40				1					KB00R306G17		
129	S70 E06 669	PANEL ASSY UD2	M50					1	1			KB00R306G18		
130	S70 E08 669	PANEL ASSY UD2	M71									KB00R306G21		
131	S70 E10 669	PANEL ASSY UD2	M140									KB00R306G22		
132	S70 E12 067	COVER ASSY		1	1	1	1	1	1	1	1	KB00M197G06		
133	S70 E13 068	COVER BOX ASSY		1	1	1	1	1	1	1	1	KB00T337G02		
134	S70 E55 500	FILTER	550					2	2			KD35J684G01		
135	S70 E70 500	FILTER	700	1	1	1						KD35J685G01		
136	S70 E90 500	FILTER	900				1					KD35J686G01		
137	S70 E16 524	PLUG	RUBBER	1	1	1	1	1	1	1	1	KB26H049H02		
138	S70 29H 523	SOCKET		1	1	1	1	1	1	1	1	BB25D449K01		
139	S70 E10 642	PANEL TOP ASSY	M20	1	1	1						KB00R292G06		
140	S70 E60 642	PANEL TOP ASSY	M40				1					KB00R292G13		
141	S70 E30 642	PANEL TOP ASSY	M50					1	1			KB00R292G08		
142	S70 E40 642	PANEL TOP ASSY	M71									KB00R292G11		
143	S70 E50 642	PANEL TOP ASSY	M140									KB00R292G12		
144	S70 E77 242	SOLENOID COIL	PAM3	1	1	1	1	1	1	1	1	KR50B227H01		

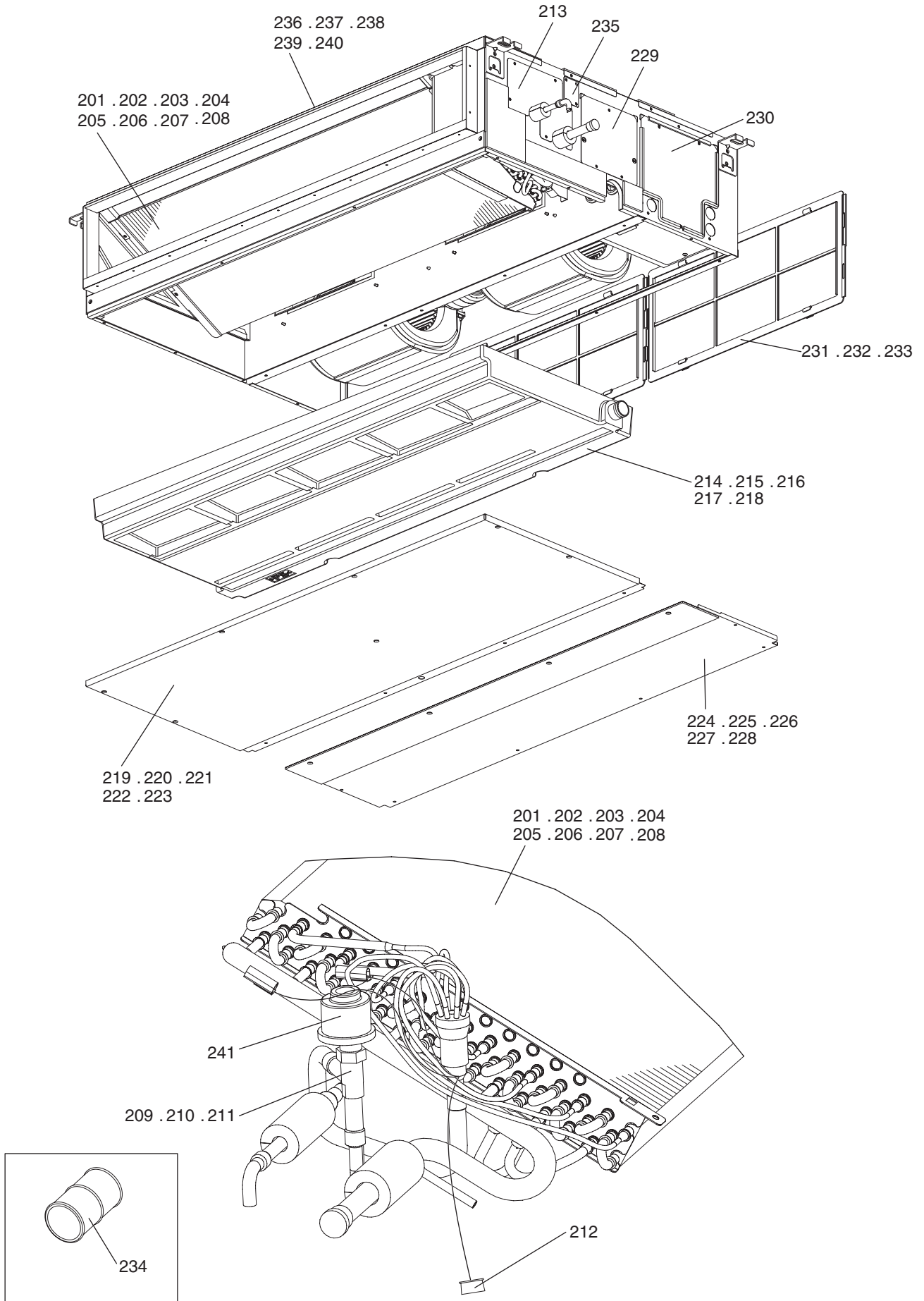
PEFY-M20,M25,M32,M40VMA-A1.UK
 PEFY-M50,M63,M71,M80VMA-A1.UK
 PEFY-M100,M125,M140VMA-A1.UK

EXTERNAL PARTS (1)

No.	Part No.	Part Name	Spec.	PEFY-M20VMA-A1.UK	PEFY-M25VMA-A1.UK	PEFY-M32VMA-A1.UK	PEFY-M40VMA-A1.UK	PEFY-M50VMA-A1.UK	PEFY-M63VMA-A1.UK	PEFY-M71VMA-A1.UK	PEFY-M80VMA-A1.UK	Dwg. No.	Notes for the models	Revision info.
101	S70 E30 480	HEAT EXCHANGER										KB00Y051B01		
102	S70 E31 480	HEAT EXCHANGER										KB00Y051B02		
103	S70 E32 480	HEAT EXCHANGER										KB00Y051B03		
104	S70 M25 480	HEAT EXCHANGER										KB00Y117B06		
105	S70 E33 480	HEAT EXCHANGER										KB00Y117B01		
106	S70 E35 480	HEAT EXCHANGER		1	1	1						KB00Y117B03		
107	S70 E36 480	HEAT EXCHANGER							1			KB00Y041B01		
108	S70 E37 480	HEAT EXCHANGER								1		KB00Y041B02		
109	S70 E28 401	LINEAR EXPANSION VALVE 4	#PAM-B40YGMD-1									KR50B228H01		
110	S70 E29 401	LINEAR EXPANSION VALVE 8	#PAM-B80YGMD-1	1	1	1	1					KR50B229H01		
111	S70 E27 401	LINEAR EXPANSION VALVE 10	#PAM-BA0YGMD-1							1		KR50B230H01		
112	S70 100 202	THERMISTOR		1	1	1	1	1	1			KB71B945M01		
113	S70 E11 065	COVER PIPE ASSY		1	1	1	1	1	1			KB00M203G02		
114	S70 0B2 355	PUMP	PMD	1	1	1	1	1	1			BH56B946H05		
115	S70 0B2 266	FLOAT SWITCH		1	1	1	1	1	1			BH68T992K04		
116	S70 E50 527	SOCKET ASSY		1	1	1	1	1	1			KB00R308G07		
117	S70 E10 529	DRAIN PAN ASSY	M20									KB00R237G01		
118	S70 E20 529	DRAIN PAN ASSY	M40									KB00R237G02		
119	S70 E30 529	DRAIN PAN ASSY	M50									KB00R237G03		
120	S70 E40 529	DRAIN PAN ASSY	M71	1	1	1	1					KB00R237G04		
121	S70 E50 529	DRAIN PAN ASSY	M140							1		KB00R237G05		
122	S70 W06 669	PANEL ASSY UD1	M20									KL00R438G10		
123	S70 W02 669	PANEL ASSY UD1	M40									KL00R438G06		
124	S70 W03 669	PANEL ASSY UD1	M50									KL00R438G07		
125	S70 W04 669	PANEL ASSY UD1	M71	1	1	1	1					KL00R438G08		
126	S70 W05 669	PANEL ASSY UD1	M140							1		KL00R438G09		
127	S70 E02 669	PANEL ASSY UD2	M20									KB00R306G16		
128	S70 E04 669	PANEL ASSY UD2	M40									KB00R306G17		
129	S70 E06 669	PANEL ASSY UD2	M50									KB00R306G18		
130	S70 E08 669	PANEL ASSY UD2	M71	1	1	1	1					KB00R306G21		
131	S70 E10 669	PANEL ASSY UD2	M140							1		KB00R306G22		
132	S70 E12 067	COVER ASSY		1	1	1	1	1	1			KB00M197G06		
133	S70 E13 068	COVER BOX ASSY		1	1	1	1	1	1			KB00T337G02		
134	S70 E55 500	FILTER	550									KD35J684G01		
135	S70 E70 500	FILTER	700	2	2	2	2	1				KD35J685G01		
136	S70 E90 500	FILTER	900							1		KD35J686G01		
137	S70 E16 524	PLUG	RUBBER	1	1	1	1	1	1			KB26H049H02		
138	S70 29H 523	SOCKET		1	1	1	1	1	1			BB25D449K01		
139	S70 E10 642	PANEL TOP ASSY	M20									KB00R292G06		
140	S70 E60 642	PANEL TOP ASSY	M40									KB00R292G13		
141	S70 E30 642	PANEL TOP ASSY	M50									KB00R292G08		
142	S70 E40 642	PANEL TOP ASSY	M71	1	1	1	1					KB00R292G11		
143	S70 E50 642	PANEL TOP ASSY	M140							1		KB00R292G12		
144	S70 E77 242	SOLENOID COIL	PAM3	1	1	1	1	1	1			KR50B227H01		

PEFY-M20,M25,M32,M40VMAL-A1.UK
 PEFY-M50,M63,M71,M80VMAL-A1.UK
 PEFY-M100,M125,M140VMAL-A1.UK

EXTERNAL PARTS (2)



PEFY-M20,M25,M32,M40VMAL-A1.UK
 PEFY-M50,M63,M71,M80VMAL-A1.UK
 PEFY-M100,M125,M140VMAL-A1.UK

EXTERNAL PARTS (2)

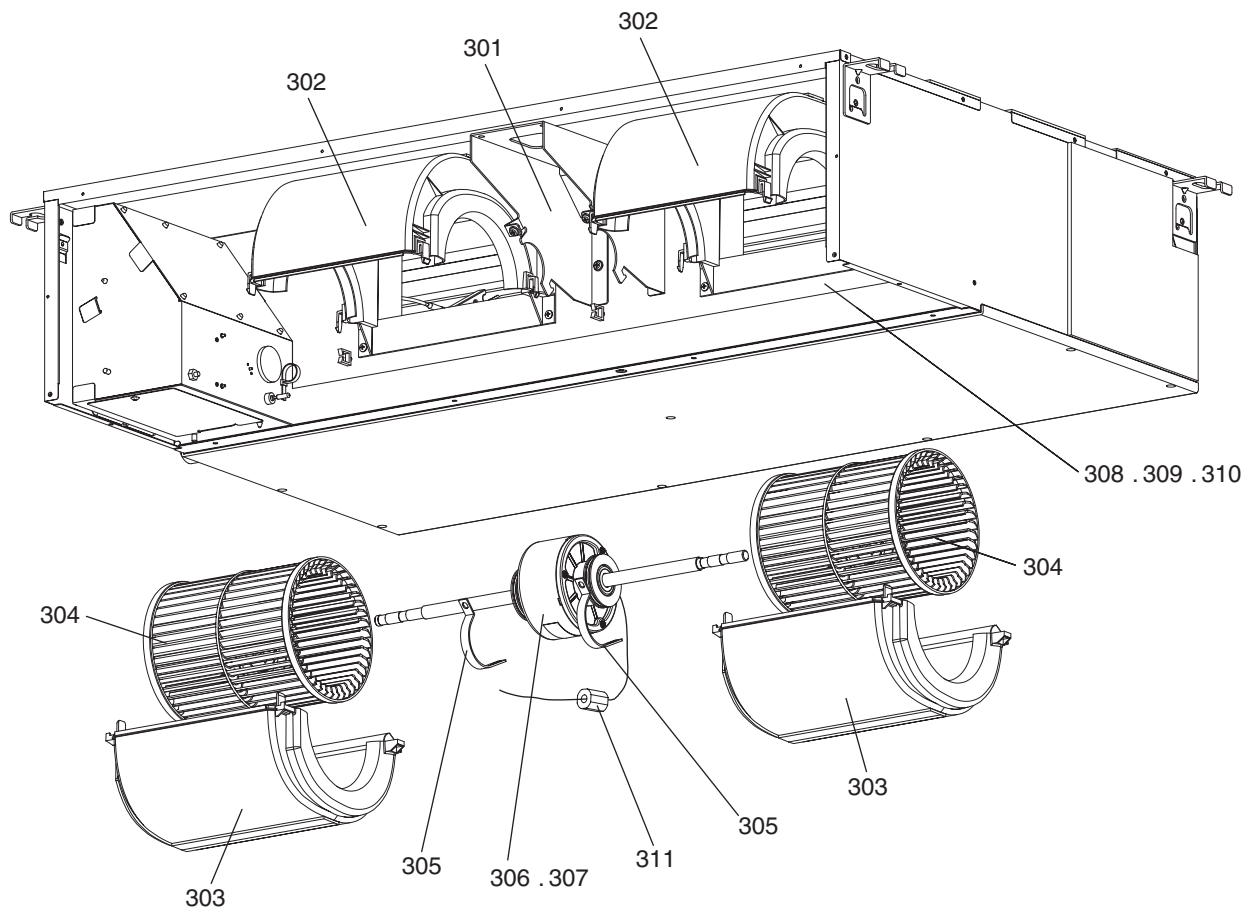
No.	Part No.	Part Name	Spec.	PEFY-M20VMAL-A1.UK	PEFY-M25VMAL-A1.UK	PEFY-M32VMAL-A1.UK	PEFY-M40VMAL-A1.UK	PEFY-M50VMAL-A1.UK	PEFY-M63VMAL-A1.UK	PEFY-M71VMAL-A1.UK	PEFY-M80VMAL-A1.UK	Dwg. No.	Notes for the models	Revision info.
201	S70 E30 480	HEAT EXCHANGER		1	1							KB00Y051B01		
202	S70 E31 480	HEAT EXCHANGER				1						KB00Y051B02		
203	S70 E32 480	HEAT EXCHANGER					1					KB00Y051B03		
204	S70 M25 480	HEAT EXCHANGER						1				KB00Y117B06		
205	S70 E33 480	HEAT EXCHANGER							1			KB00Y117B01		
206	S70 E35 480	HEAT EXCHANGER										KB00Y117B03		
207	S70 E36 480	HEAT EXCHANGER										KB00Y041B01		
208	S70 E37 480	HEAT EXCHANGER										KB00Y041B02		
209	S70 E28 401	LINEAR EXPANSION VALVE 4	#PAM-B40YGMD-1	1	1	1	1	1	1	1	1	KR50B228H01		
210	S70 E29 401	LINEAR EXPANSION VALVE 8	#PAM-B80YGMD-1									KR50B229H01		
211	S70 E27 401	LINEAR EXPANSION VALVE 10	#PAM-BA0YGMD-1									KR50B230H01		
212	S70 100 202	THERMISTOR		1	1	1	1	1	1	1	1	KB71B945M01		
213	S70 E11 065	COVER PIPE ASSY		1	1	1	1	1	1	1	1	KB00M203G02		
214	S70 E10 529	DRAIN PAN ASSY	M20	1	1	1						KB00R237G01		
215	S70 E20 529	DRAIN PAN ASSY	M40				1					KB00R237G02		
216	S70 E30 529	DRAIN PAN ASSY	M50					1	1			KB00R237G03		
217	S70 E40 529	DRAIN PAN ASSY	M71									KB00R237G04		
218	S70 E50 529	DRAIN PAN ASSY	M140									KB00R237G05		
219	S70 W01 669	PANEL ASSY UD1	M20	1	1	1						KL00R438G10		
220	S70 W02 669	PANEL ASSY UD1	M40				1					KL00R438G06		
221	S70 W03 669	PANEL ASSY UD1	M50					1	1			KL00R438G07		
222	S70 W04 669	PANEL ASSY UD1	M71									KL00R438G08		
223	S70 W05 669	PANEL ASSY UD1	M140									KL00R438G09		
224	S70 E02 669	PANEL ASSY UD2	M20	1	1	1						KB00R306G16		
225	S70 E04 669	PANEL ASSY UD2	M40				1					KB00R306G17		
226	S70 E06 669	PANEL ASSY UD2	M50					1	1			KB00R306G18		
227	S70 E08 669	PANEL ASSY UD2	M71									KB00R306G21		
228	S70 E10 669	PANEL ASSY UD2	M140									KB00R306G22		
229	S70 E12 067	COVER ASSY		1	1	1	1	1	1	1	1	KB00M197G06		
230	S70 E13 068	COVER BOX ASSY		1	1	1	1	1	1	1	1	KB00T337G02		
231	S70 E55 500	FILTER	550					2	2			KD35J684G01		
232	S70 E70 500	FILTER	700	1	1	1						KD35J685G01		
233	S70 E90 500	FILTER	900				1					KD35J686G01		
234	S70 29H 523	SOCKET		1	1	1	1	1	1	1	1	BB25D449K01		
235	S70 E30 522	COVER SOCKET ASSY		1	1	1	1	1	1	1	1	KB00M268G02		
236	S70 E10 642	PANEL TOP ASSY	M20	1	1	1						KB00R292G06		
237	S70 E60 642	PANEL TOP ASSY	M40				1					KB00R292G13		
238	S70 E30 642	PANEL TOP ASSY	M50					1	1			KB00R292G08		
239	S70 E40 642	PANEL TOP ASSY	M71									KB00R292G11		
240	S70 E50 642	PANEL TOP ASSY	M140									KB00R292G12		
241	S70 E77 242	SOLENOID COIL	PAM3	1	1	1	1	1	1	1	1	KR50B227H01		

PEFY-M20,M25,M32,M40VMAL-A1.UK
 PEFY-M50,M63,M71,M80VMAL-A1.UK
 PEFY-M100,M125,M140VMAL-A1.UK

EXTERNAL PARTS (2)

No.	Part No.	Part Name	Spec.	PEFY-M20VMAL-A1.UK	PEFY-M25VMAL-A1.UK	PEFY-M32VMAL-A1.UK	PEFY-M40VMAL-A1.UK	PEFY-M50VMAL-A1.UK	PEFY-M63VMAL-A1.UK	PEFY-M71VMAL-A1.UK	PEFY-M80VMAL-A1.UK	Dwg. No.	Notes for the models	Revision info.
201	S70 E30 480	HEAT EXCHANGER										KB00Y051B01		
202	S70 E31 480	HEAT EXCHANGER										KB00Y051B02		
203	S70 E32 480	HEAT EXCHANGER										KB00Y051B03		
204	S70 M25 480	HEAT EXCHANGER										KB00Y117B06		
205	S70 E33 480	HEAT EXCHANGER										KB00Y117B01		
206	S70 E35 480	HEAT EXCHANGER		1	1	1						KB00Y117B03		
207	S70 E36 480	HEAT EXCHANGER							1			KB00Y041B01		
208	S70 E37 480	HEAT EXCHANGER								1		KB00Y041B02		
209	S70 E28 401	LINEAR EXPANSION VALVE 4	#PAM-B40YGMD-1									KR50B228H01		
210	S70 E29 401	LINEAR EXPANSION VALVE 8	#PAM-B80YGMD-1	1	1	1	1					KR50B229H01		
211	S70 E27 401	LINEAR EXPANSION VALVE 10	#PAM-BA0YGMD-1							1		KR50B230H01		
212	S70 100 202	THERMISTOR		1	1	1	1	1				KB71B945M01		
213	S70 E11 065	COVER PIPE ASSY		1	1	1	1	1				KB00M203G02		
214	S70 E10 529	DRAIN PAN ASSY	M20									KB00R237G01		
215	S70 E20 529	DRAIN PAN ASSY	M40									KB00R237G02		
216	S70 E30 529	DRAIN PAN ASSY	M50									KB00R237G03		
217	S70 E40 529	DRAIN PAN ASSY	M71	1	1	1	1					KB00R237G04		
218	S70 E50 529	DRAIN PAN ASSY	M140							1		KB00R237G05		
219	S70 W01 669	PANEL ASSY UD1	M20									KL00R438G10		
220	S70 W02 669	PANEL ASSY UD1	M40									KL00R438G06		
221	S70 W03 669	PANEL ASSY UD1	M50									KL00R438G07		
222	S70 W04 669	PANEL ASSY UD1	M71	1	1	1	1					KL00R438G08		
223	S70 W05 669	PANEL ASSY UD1	M140							1		KL00R438G09		
224	S70 E02 669	PANEL ASSY UD2	M20									KB00R306G16		
225	S70 E04 669	PANEL ASSY UD2	M40									KB00R306G17		
226	S70 E06 669	PANEL ASSY UD2	M50									KB00R306G18		
227	S70 E08 669	PANEL ASSY UD2	M71	1	1	1	1					KB00R306G21		
228	S70 E10 669	PANEL ASSY UD2	M140							1		KB00R306G22		
229	S70 E12 067	COVER ASSY		1	1	1	1	1				KB00M197G06		
230	S70 E13 068	COVER BOX ASSY		1	1	1	1	1				KB00T337G02		
231	S70 E55 500	FILTER	550									KD35J684G01		
232	S70 E70 500	FILTER	700	2	2	2	2	1				KD35J685G01		
233	S70 E90 500	FILTER	900							1		KD35J686G01		
234	S70 29H 523	SOCKET		1	1	1	1	1				BB25D449K01		
235	S70 E30 522	COVER SOCKET ASSY		1	1	1	1	1				KB00M268G02		
236	S70 E10 642	PANEL TOP ASSY	M20									KB00R292G06		
237	S70 E60 642	PANEL TOP ASSY	M40									KB00R292G13		
238	S70 E30 642	PANEL TOP ASSY	M50									KB00R292G08		
239	S70 E40 642	PANEL TOP ASSY	M71	1	1	1	1					KB00R292G11		
240	S70 E50 642	PANEL TOP ASSY	M140							1		KB00R292G12		
241	S70 E77 242	SOLENOID COIL	PAM3	1	1	1	1	1				KR50B227H01		

PEFY-M20,M25,M32,M40VMA(L)-A1.UK BLOWER PARTS (1)
PEFY-M50,M63VMA(L)-A1.UK

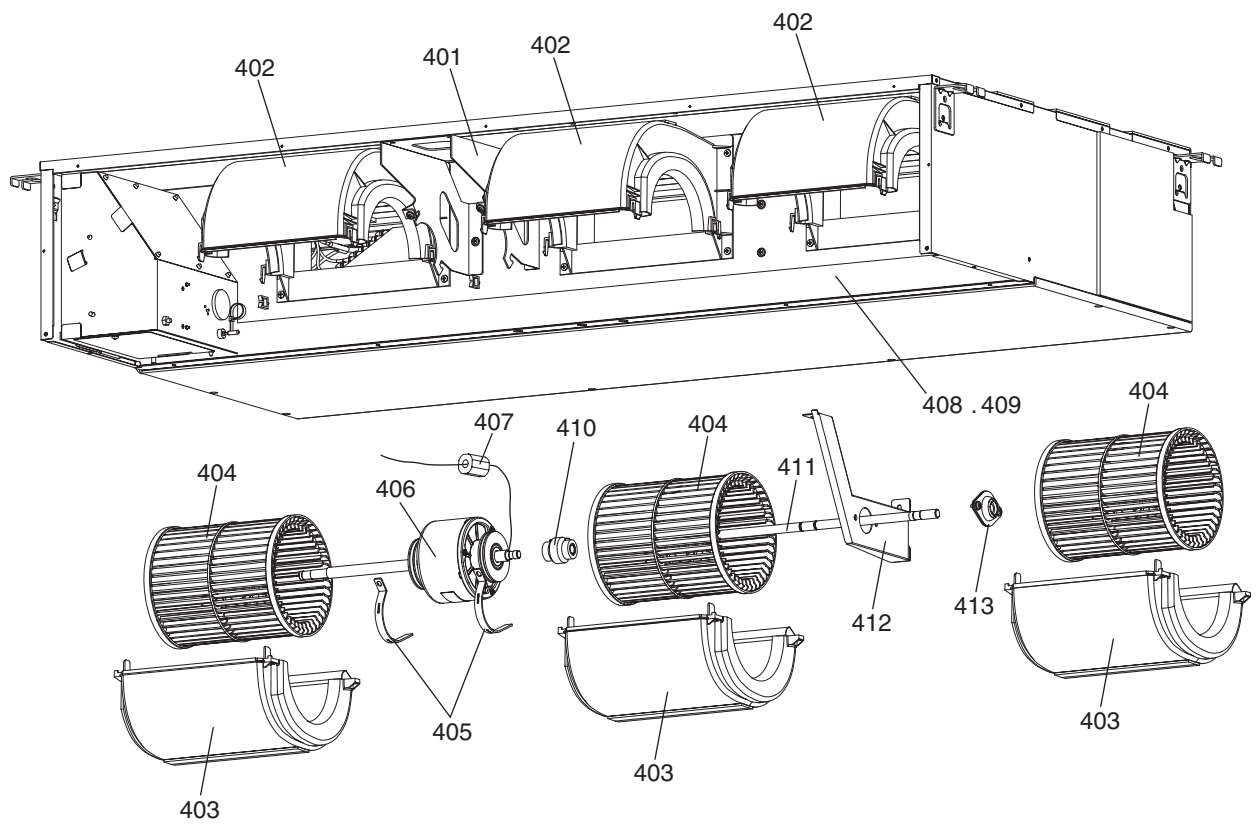


PEFY-M20,M25,M32,M40VMA(L)-A1.UK BLOWER PARTS (1)
PEFY-M50,M63VMA(L)-A1.UK

No.	Part No.	Part Name	Spec.							Dwg. No.	Notes for the models	Revision info.
				PEFY-M20VMA-A1.UK	PEFY-M25VMA-A1.UK	PEFY-M32VMA-A1.UK	PEFY-M40VMA-A1.UK	PEFY-M50VMA-A1.UK	PEFY-M63VMA-A1.UK			
301	S70 E65 130	MOTOR BASE	M20	1	1	1	1	1	1	KD02J553H01		
302	S70 E60 110	FAN CASE U ASSY		1	1	1	2	2	2	KJ00K474G01		
303	S70 E62 110	FAN CASE L ASSY		1	1	1	2	2	2	KJ00K473G01		
304	S70 E35 114	SIROCCO FAN ASSY		1	1	1	2	2	2	KL00R388G01		
305	S70 E10 131	ATTACHMENT		2	2	2	2	2	2	W353715H01		
306	S70 E15 220	MOTOR	M20	1	1	1				KR61B238H01		
307	S70 E25 220	MOTOR	M40				1	1	1	KR61B239H01		
308	S70 E15 677	FAN PLATE ASSY	M20	1	1	1				KB00T067G21		
309	S70 E25 677	FAN PLATE ASSY	M40				1			KB00T067G22		
310	S70 E35 677	FAN PLATE ASSY	M50					1	1	KB00T067G23		
311	S70 050 292	CLAMP FERRITE FOB		1	1	1	1	1	1	KR65C297H03		

PEFY-M20,M25,M32,M40VMA(L)-A1.UK BLOWER PARTS (1)
PEFY-M50,M63VMA(L)-A1.UK

No.	Part No.	Part Name	Spec.	PEFY-M20VMA(L)-A1.UK	PEFY-M25VMA(L)-A1.UK	PEFY-M32VMA(L)-A1.UK	PEFY-M40VMA(L)-A1.UK	PEFY-M50VMA(L)-A1.UK	PEFY-M63VMA(L)-A1.UK	Dwg. No.	Notes for the models	Revision info.
301	S70 E65 130	MOTOR BASE	M20	1	1	1	1	1	1	KD02J553H01		
302	S70 E60 110	FAN CASE U ASSY		1	1	1	2	2	2	KJ00K474G01		
303	S70 E62 110	FAN CASE L ASSY		1	1	1	2	2	2	KJ00K473G01		
304	S70 E35 114	SIROCCO FAN ASSY		1	1	1	2	2	2	KL00R388G01		
305	S70 E10 131	ATTACHMENT		2	2	2	2	2	2	W353715H01		
306	S70 E15 220	MOTOR	M20	1	1	1				KR61B238H01		
307	S70 E25 220	MOTOR	M40				1	1	1	KR61B239H01		
308	S70 E15 677	FAN PLATE ASSY	M20	1	1	1				KB00T067G21		
309	S70 E25 677	FAN PLATE ASSY	M40				1			KB00T067G22		
310	S70 E35 677	FAN PLATE ASSY	M50					1	1	KB00T067G23		
311	S70 050 292	CLAMP FERRITE FOB		1	1	1	1	1	1	KR65C297H03		



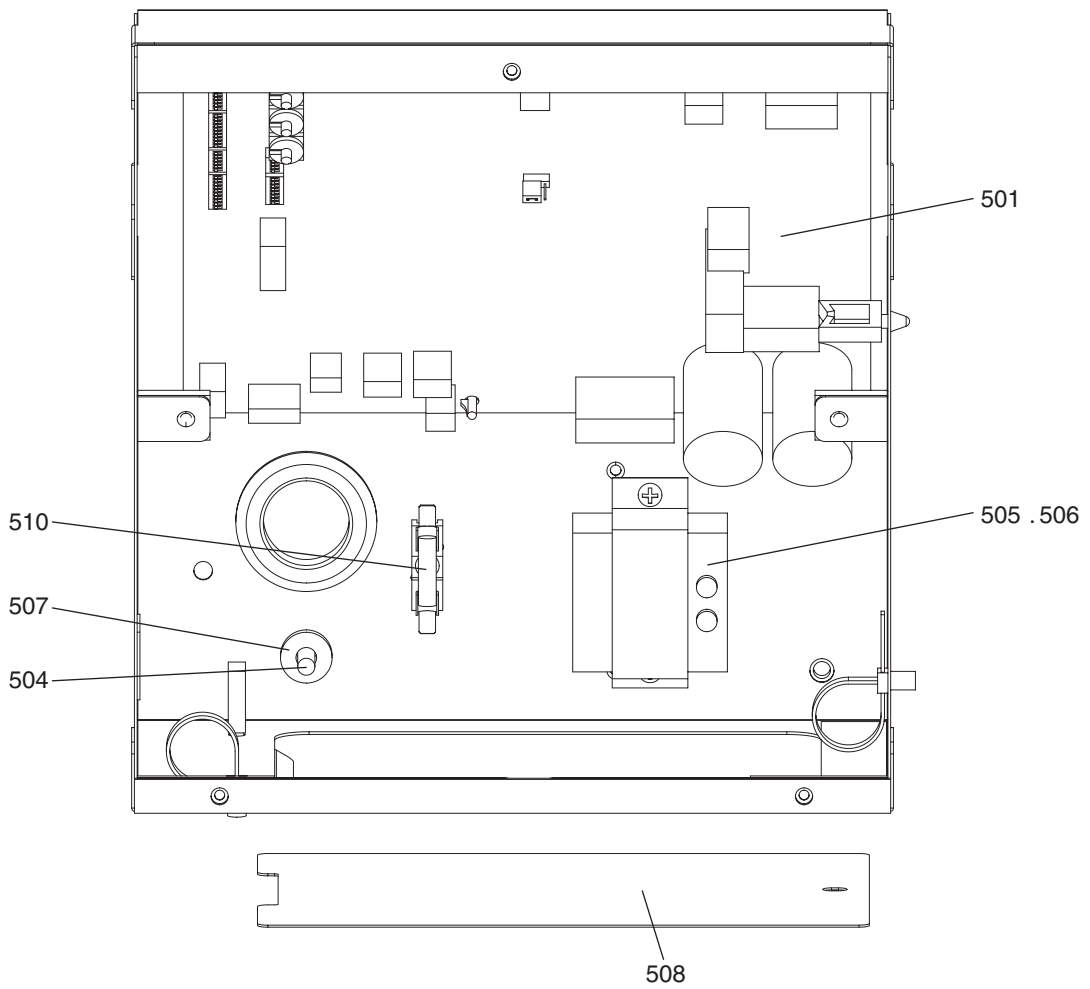
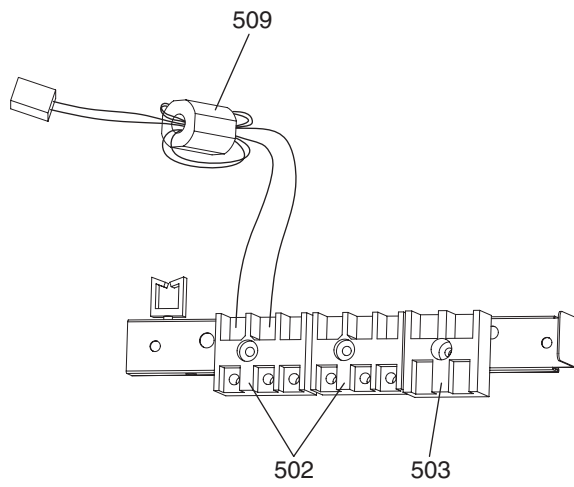
PEFY-M71,M80VMA(L)-A1.UK
PEFY-M100,M125,M140VMA(L)-A1.UK

BLOWER PARTS (2)

No.	Part No.	Part Name	Spec.	PEFY-M71,M80VMA(L)-A1.UK						Dwg. No.	Notes for the models	Revision info.
				PEFY-M71	PEFY-M80	PEFY-M100	PEFY-M125	PEFY-M140	PEFY-M140VMA(L)			
401	S70 E66 130	MOTOR BASE ASSY	M71	1	1	1	1	1	1	KJ00K476G01		
402	S70 E60 110	FAN CASE U ASSY		3	3	3	3	3	3	KJ00K474G01		
403	S70 E62 110	FAN CASE L ASSY		3	3	3	3	3	3	KJ00K473G01		
404	S70 E35 114	SIROCCO FAN ASSY		3	3	3	3	3	3	KL00R388G01		
405	S70 E20 131	ATTACHMENT		2	2	2	2	2	2	KJ02D836H01		
406	S70 E35 220	MOTOR	M71	1	1	1	1	1	1	KR61B240H01		
407	S70 050 292	CLAMP FERRITE FOB		1	1	1	1	1	1	KR65C297H03		
408	S70 E45 677	FAN PLATE ASSY	M71	1	1	1	1		1	KS00R191G05		
409	S70 E55 677	FAN PLATE ASSY	M140					1		KS00R191G06		
410	S70 E02 518	JOINT ASSY		1	1	1	1	1	1	KB00R475G01		
411	S70 E01 499	SHAFT		1	1	1	1	1	1	KD10B278H01		
412	S70 E05 510	BEARING SUPPORT		1	1	1	1	1	1	KL02R207H01		
413	S70 E03 509H	BEARING		1	1	1	1	1	1	KB58C793G02		

PEFY-M20,M25,M32,M40VMA(L)-A1.UK
PEFY-M50,M63,M71,M80VMA(L)-A1.UK
PEFY-M100,M125,M140VMA(L)-A1.UK

CONTROL BOX PARTS



**PEFY-M20,M25,M32,M40VMA(L)-A1.UK
 PEFY-M50,M63,M71,M80VMA(L)-A1.UK
 PEFY-M100,M125,M140VMA(L)-A1.UK**

CONTROL BOX PARTS

No.	Part No.	Part Name	Spec.	PEFY-M20VMA-A1.UK	PEFY-M25VMA-A1.UK	PEFY-M32VMA-A1.UK	PEFY-M40VMA-A1.UK	PEFY-M50VMA-A1.UK	PEFY-M63VMA-A1.UK	Dwg. No.	Notes for the models	Revision info.
501	S70 K22 310	PRINTED CIRCUIT ASSEMBLY		1	1	1	1	1	1	KE01H089B13		
502	S70 0B4 716	TERMINAL BLOCK ASSY		2	2	2	2	2	2	BH00C267G09		
503	S70 E40 716	TERMINAL BLOCK		1	1	1	1	1	1	BH73L021H01		
504	S70 0B1 202	THERMISTOR-S	250XAP	1	1	1	1	1	1	RG71J628H01		
505	S70 K10 259	REACTOR	3A3	1	1	1	1			KR65C559H01		
506	S70 K11 259	REACTOR	3A6					1	1	KR65C489H01		
507	S70 E10 306	CORD BUSH		1	1	1	1	1	1	BG25U730H01		
508	S70 E14 068	BOX UNDER COVER		1	1	1	1	1	1	KB02K887Z01		
509	S70 050 292	CLAMP FERRITE FOB		1	1	1	1	1	1	KR65C297H03		
510	S70 610 239	FUSE	SHV12 3A	1	1	1	1	1	1	KR75C422H01		

PEFY-M20,M25,M32,M40VMA(L)-A1.UK
PEFY-M50,M63,M71,M80VMA(L)-A1.UK
PEFY-M100,M125,M140VMA(L)-A1.UK

CONTROL BOX PARTS

No.	Part No.	Part Name	Spec.	PEFY-M20VMA(L)-A1.UK	PEFY-M25VMA(L)-A1.UK	PEFY-M32VMA(L)-A1.UK	PEFY-M40VMA(L)-A1.UK	PEFY-M50VMA(L)-A1.UK	PEFY-M63VMA(L)-A1.UK	PEFY-M71VMA(L)-A1.UK	PEFY-M80VMA(L)-A1.UK	Dwg. No.	Notes for the models	Revision info.	
501	S70 K22 310	PRINTED CIRCUIT ASSEMBLY		1	1	1	1	1	1	1	1	KE01H089B13			
502	S70 0B4 716	TERMINAL BLOCK ASSY		2	2	2	2	2	2	2	2	BH00C267G09			
503	S70 E40 716	TERMINAL BLOCK		1	1	1	1	1	1	1	1	BH73L021H01			
504	S70 0B1 202	THERMISTOR-S	250XAP	1	1	1	1	1	1	1	1	RG71J628H01			
505	S70 K10 259	REACTOR	3A3									1 KR65C559H01			
506	S70 K11 259	REACTOR	3A6	1	1	1	1	1	1	1	1	KR65C489H01			
507	S70 E10 306	CORD BUSH		1	1	1	1	1	1	1	1	BG25U730H01			
508	S70 E14 068	BOX UNDER COVER		1	1	1	1	1	1	1	1	KB02K887Z01			
509	S70 050 292	CLAMP FERRITE FOB		1	1	1	1	1	1	1	1	KR65C297H03			
510	S70 610 239	FUSE	SHV12 3A	1	1	1	1	1	1	1	1	KR75C422H01			

PEFY-M20,M25,M32,M40VMA(L)-A1.UK
 PEFY-M50,M63,M71,M80VMA(L)-A1.UK
 PEFY-M100,M125,M140VMA(L)-A1.UK

CONTROL BOX PARTS

No.	Part No.	Part Name	Spec.	PEFY-M20VMA(L)-A1.UK	PEFY-M25VMA(L)-A1.UK	PEFY-M32VMA(L)-A1.UK	PEFY-M40VMA(L)-A1.UK	PEFY-M50VMA(L)-A1.UK	PEFY-M63VMA(L)-A1.UK	PEFY-M71VMA(L)-A1.UK	Dwg. No.	Notes for the models	Revision info.
501	S70 K22 310	PRINTED CIRCUIT ASSEMBLY		1	1	1	1	1	1	1	KE01H089B13		
502	S70 0B4 716	TERMINAL BLOCK ASSY		2	2	2	2	2	2	2	BH00C267G09		
503	S70 E40 716	TERMINAL BLOCK		1	1	1	1	1	1	1	BH73L021H01		
504	S70 0B1 202	THERMISTOR-S	250XAP	1	1	1	1	1	1	1	RG71J628H01		
505	S70 K10 259	REACTOR	3A3	1	1	1					KR65C559H01		
506	S70 K11 259	REACTOR	3A6				1	1	1	1	KR65C489H01		
507	S70 E10 306	CORD BUSH		1	1	1	1	1	1	1	BG25U730H01		
508	S70 E14 068	BOX UNDER COVER		1	1	1	1	1	1	1	KB02K887Z01		
509	S70 050 292	CLAMP FERRITE FOB		1	1	1	1	1	1	1	KR65C297H03		
510	S70 610 239	FUSE	SHV12 3A	1	1	1	1	1	1	1	KR75C422H01		

mitsubishi
electric
corporation

BWE022010 (20220331)