

PARTS CATALOG

R32

[Model Name]
<Branch box>

PAC-MMK40BC

PAC-MMK60BC

PAC-MMK40BCB

[Service Ref.]

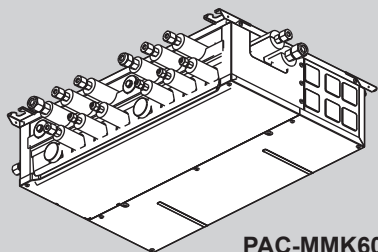
PAC-MMK40BC

PAC-MMK60BC

PAC-MMK40BCB

Note:

- This service manual describes technical data of branch box. As for indoor units and outdoor unit, refer to its service manual.



PAC-MMK60BC
BRANCH BOX

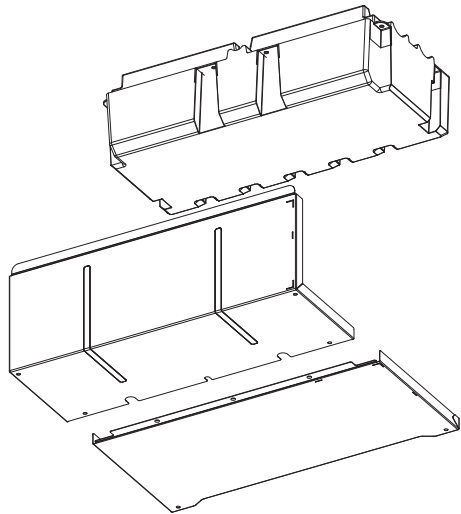
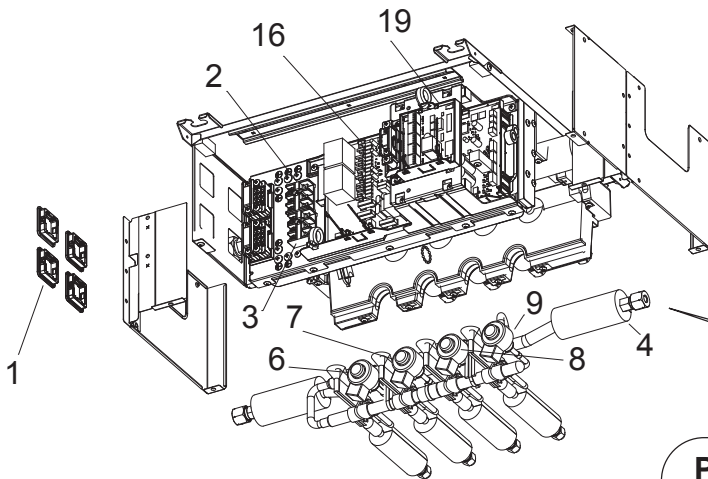
CONTENTS

1. SERVICE PARTS LIST.....	2
2. OPTIONAL PARTS.....	6

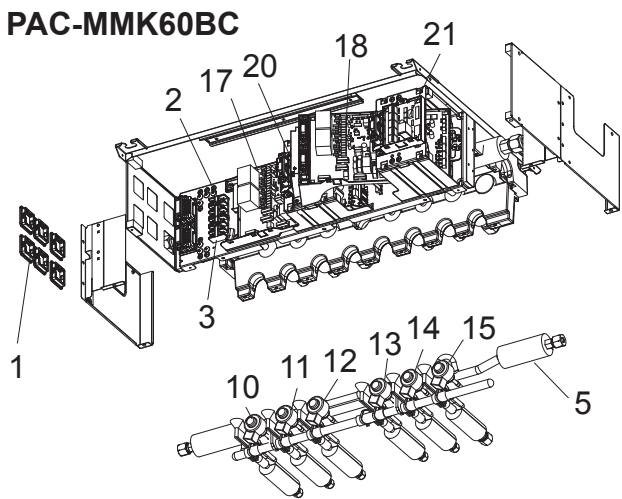
SERVICE MANUAL (OCH799)

PAC-MMK40BC
PAC-MMK60BC

PAC-MMK40BC



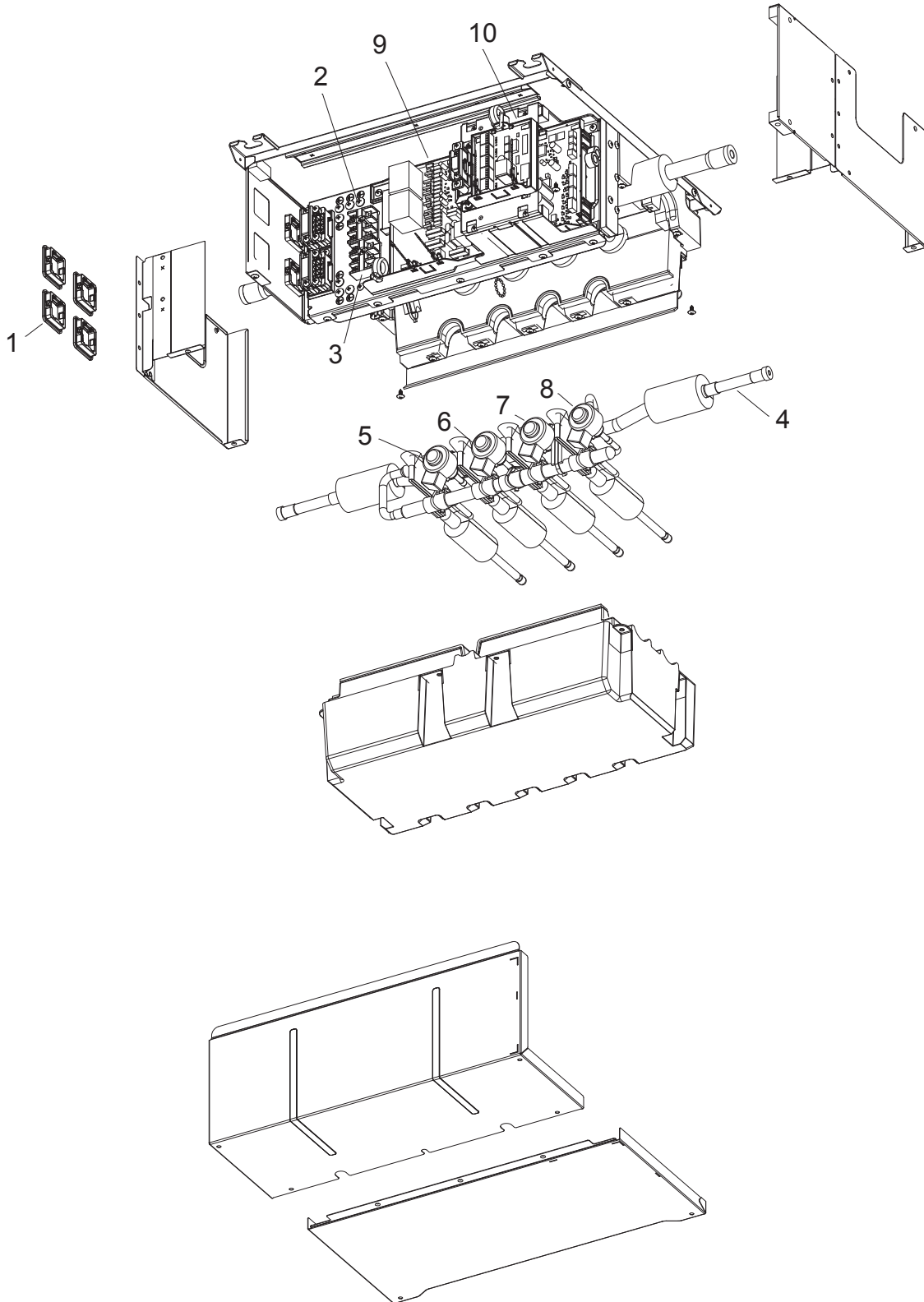
PAC-MMK60BC



1. The part quantity below indicates the required number of pieces per unit.
2. The circled No. indicates that the part is not shown in the figure.

No.	Parts No.	Parts Name	PAC-MMK40BC	PAC-MMK60BC	Wiring Diagram Symbol	Remarks
1	T 7 W E 0 5 1 2 4	BUSH_ASSY	4	6		
2	T 7 W E 7 7 7 1 6	T.B./M1.M2.S	1	1	TB5	
3	T 7 W E 7 8 7 1 6	T.B./L.N	1	1	TB2B	
4	T 7 W F 0 9 4 0 1	LEV ASSY MMK40BC	1			Includes coil
5	T 7 W F 1 0 4 0 1	LEV ASSY MMK60BC		1		Includes coil
6	T 7 W L 0 2 2 4 2	COIL (LEV) XA5P WH A	1		LEV-A	
7	T 7 W L 0 3 2 4 2	COIL (LEV) XA5P RED B	1		LEV-B	
8	T 7 W L 0 4 2 4 2	COIL (LEV) XA5P BLU C	1		LEV-C	
9	T 7 W L 0 5 2 4 2	COIL (LEV) GI5P WH D	1		LEV-D	
10	T 7 W L 0 6 2 4 2	COIL (LEV) XA5P WH 1A		1	LEV-1A	
11	T 7 W L 0 7 2 4 2	COIL (LEV) XA5P RED 1B		1	LEV-1B	
12	T 7 W L 0 8 2 4 2	COIL (LEV) XA5P BLU 1C		1	LEV-1C	
13	T 7 W L 0 9 2 4 2	COIL (LEV) XA5P BLK 2A		1	LEV-2A	
14	T 7 W L 1 0 2 4 2	COIL (LEV) XA5P GRN 2B		1	LEV-2B	
15	T 7 W L 1 1 2 4 2	COIL (LEV) XA5P YEL 2C		1	LEV-2C	
16	T 7 W F 3 0 3 1 0	CONTROLLER BOARD	1			
17	T 7 W F 3 1 3 1 0	CONTROLLER BOARD-1		1		
18	T 7 W F 3 2 3 1 0	CONTROLLER BOARD-2		1		
19	T 7 W F 3 3 3 1 0	INTERCONNECT BOARD	1			
20	T 7 W F 3 4 3 1 0	INTERCONNECT BOARD-1		1		
21	T 7 W F 3 5 3 1 0	INTERCONNECT BOARD-2		1		
22	R 0 1 E 2 4 2 3 9	FUSE 6.3A 250V M-RD	1	2	F1	
23	R 0 1 E 2 1 2 3 9	FUSE 10A 250V	1	2	F2	
24	R 0 1 E 2 1 2 3 9	FUSE 10A 250V	1	2	F3	
25	T 7 W A 1 9 3 9 2	LEAD_WIRE_SET	1			
25	T 7 W A 2 0 3 9 2	LEAD_WIRE_SET		1		
26	R 0 1 E 1 1 6 6 0	STEM PIPE COVER SET	1			STEM
26	R 0 1 E 1 2 6 6 0	STEM PIPE COVER SET		1		STEM
27	R 0 1 E 1 4 6 6 0	BRANCHPIPE COVER SET	1			BRANCH
27	R 0 1 E 1 5 6 6 0	BRANCHPIPE COVER SET		1		BRANCH

PAC-MMK40BCB



1. The part quantity below indicates the required number of pieces per unit.
2. The circled No. indicates that the part is not shown in the figure.

No.	Parts No.	Parts Name	PAC-MMK40BCB	Wiring Diagram Symbol	Remarks
1	T 7 W E 0 5 1 2 4	BUSH_ASSY	4		
2	T 7 W E 7 7 7 1 6	T.B./M1.M2.S	1	TB5	
3	T 7 W E 7 8 7 1 6	T.B./L.N.	1	TB2B	
4	T 7 W F 1 1 4 0 1	LEV ASSY MMK40BCB	1		Includes coil
5	T 7 W L 0 2 2 4 2	COIL (LEV) XA5P WH A	1	LEV-A	
6	T 7 W L 0 3 2 4 2	COIL (LEV) XA5P RED B	1	LEV-B	
7	T 7 W L 0 4 2 4 2	COIL (LEV) XA5P BLU C	1	LEV-C	
8	T 7 W L 0 5 2 4 2	COIL (LEV) GI5P WH D	1	LEV-D	
9	T 7 W F 3 0 3 1 0	CONTROLLER BOARD	1		
10	T 7 W F 3 3 3 1 0	INTERCONNECT BOARD	1		
11	T 7 W A 1 9 3 9 2	LEAD_WIRE_SET	1		
12	R 0 1 E 2 4 2 3 9	FUSE 6.3A 250V M-RD	1	F1	
13	R 0 1 E 2 1 2 3 9	FUSE 10A 250V	1	F2	
14	R 0 1 E 2 1 2 3 9	FUSE 10A 250V	1	F3	
15	R 0 1 E 1 3 6 6 0	STEM PIPE COVER SET	1		STEM
16	R 0 1 E 1 6 6 6 0	BRANCHPIPE COVER SET	1		BRANCH
17	R 0 1 E 0 3 4 5 6	JOINT PIPE SET	1		

2

OPTIONAL PARTS

2-1. FOR OUTDOOR UNIT

2-BRANCH PIPE (Joint) (In case of using 2-branch boxes)

Parts No.	Connection method		Outdoor unit side	Diameter A	Diameter B
MSDD-50AR2-E	Flare	liquid	ø9.52	ø9.52	ø9.52
		gas	ø15.88	ø15.88	ø15.88
MSDD-50BR-E	Brazing	liquid	ø9.52	ø9.52	ø9.52
		gas	ø15.88	ø15.88	ø15.88

Note: Select a joint according to the connection method.

2-2. FOR BRANCH BOX

Different-diameter joint (For PAC-MMK40/60BC)

Part No.	Connected pipes diameter	Diameter A	Diameter B
	mm	mm	mm
PAC-SJ87RJ-E	ø6.35 → ø9.52	ø6.35	ø9.52
PAC-SK91RJ-E	ø9.52 → ø6.35	ø9.52	ø6.35
PAC-SJ88RJ-E	ø9.52 → ø12.7	ø9.52	ø12.7
PAC-SK90RJ-E	ø9.52 → ø15.88	ø9.52	ø15.88
PAC-SK88RJ-E	ø12.7 → ø9.52	ø12.7	ø9.52
PAC-SK89RJ-E	ø12.7 → ø15.88	ø12.7	ø15.88
PAC-SK82RJ-E	ø15.88 → ø9.52	ø15.88	ø9.52
PAC-SK85RJ-E	ø15.88 → ø12.7	ø15.88	ø12.7
PAC-SG71RJ-E	ø15.88 → ø22.2	ø15.88	ø22.2

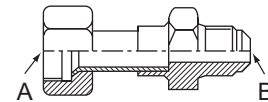
<Reference>

Conversion formula

1/4 inch	ø6.35 mm
3/8 inch	ø9.52 mm
1/2 inch	ø12.7 mm
5/8 inch	ø15.88 mm
3/4 inch	ø19.05 mm
7/8 inch	ø22.2 mm

Different-diameter joint (For PAC-MMK40BCB)

Part No.	Connected pipes diameter	Diameter A	Diameter B
	mm	mm	mm
PAC-SG77RJB-E	ø6.35 → ø9.52	ø6.35	ø9.52
PAC-SG78RJB-E	ø9.52 → ø12.7	ø9.52	ø12.7
PAC-SG76RJB-E	ø9.52 → ø15.88	ø9.52	ø15.88
PAC-SG79RJB-E	ø12.7 → ø9.52	ø12.7	ø9.52
PAC-SG80RJB-E	ø12.7 → ø15.88	ø12.7	ø15.88
PAC-SJ72RJB-E	ø15.88 → ø19.05	ø15.88	ø19.05



Parts name	Parts No.
SENSOR AND ALARM KIT	PAC-SK60SA-E

MITSUBISHI ELECTRIC CORPORATION

HEAD OFFICE: TOKYO BUILDING, 2-7-3, MARUNOUCHI, CHIYODA-KU, TOKYO 100-8310, JAPAN