

PARTS CATALOG

[Model Name]
<Branch box>

PAC-MK54BC

PAC-MK34BC

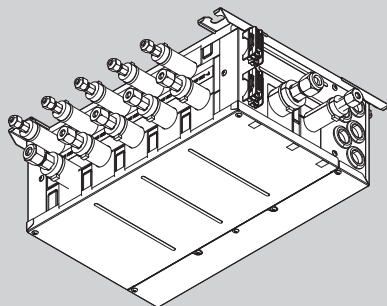
[Service Ref.]

PAC-MK54BC

PAC-MK34BC

Note:

- This service manual describes technical data of branch box. As for indoor units and outdoor unit, refer to its service manual.



PAC-MK54BC

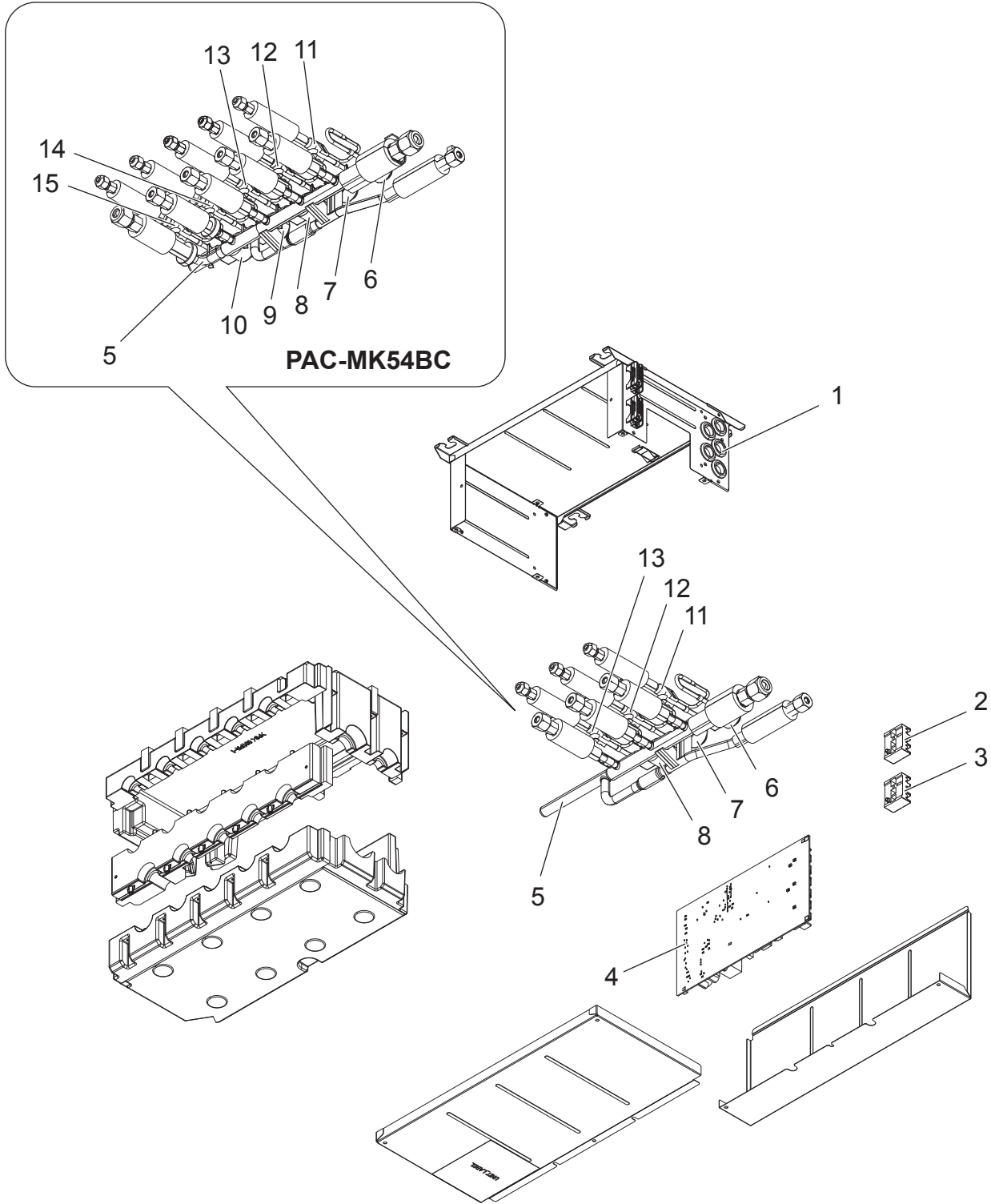
BRANCH BOX

CONTENTS

1. SERVICE PARTS LIST.....2
2. OPTIONAL PARTS.....4

SERVICE MANUAL (OCH744)

PAC-MK34BC
PAC-MK54BC



1. The part quantity below indicates the required number of pieces per unit.
2. The circled No. indicates that the part is not shown in the figure.

No.	Parts No.	Parts Name	PAC-MK34BC	PAC-MK54BC	Wiring Diagram Symbol	Remarks
1	R01 H05 124	RUBBER BUSH SET	1	1		5PCS/SET
2	T7W E60 716	T.B./M1.M2.S	1	1	TB5	3P (M1, M2, S)
3	T7W E64 716	T.B./L.N	1	1	TB2B	2P (L, N)
4	T7W F26 310	CONTROLLER BOARD	1		B.C.	
4	T7W F27 310	CONTROLLER BOARD		1	B.C.	
5	T7W F07 401	LEV ASSY MKA32BC	1			Includes coils
5	T7W F08 401	LEV ASSY MKA52BC		1		Includes coils
6	T7W E73 242	COIL(LEV)/XAP-5P WH	1	1	LEV-A (WHITE)	
7	R01 H38 242	COIL(LEV)/XAP-5P RED	1	1	LEV-B (RED)	
8	T7W E80 242	COIL(LEV)/XAP-5P BLU	1	1	LEV-C (BLUE)	
9	T7W E76 242	COIL(LEV)/XAP-5P BLK		1	LEV-D (BLACK)	
10	T7W E77 242	COIL(LEV)/XAP-5P GRN		1	LEV-E (GREEN)	
11	T7W E66 202	THERMISTOR-A	1	1	TH-A (WHITE)	
12	T7W E67 202	THERMISTOR-B	1	1	TH-B (RED)	
13	T7W E68 202	THERMISTOR-C	1	1	TH-C (BLUE)	
14	T7W E69 202	THERMISTOR-D		1	TH-D (BLACK)	
15	T7W E70 202	THERMISTOR-E		1	TH-E (GREEN)	
16	T7W H18 392	LEAD WIRE SET	1	1		
17	R01 E14 239	FUSE 6.3 A 250 V	1	1	F1	6.3 A 250 V
18	R01 E21 239	FUSE 10 A 250 V	2	3	F2, F3, (F4)	10 A 250 V
19	R01 E09 660	PIPE COVER SET	1	1		STEM
20	R01 E08 660	PIPE COVER SET	1	1		BRANCH

2

OPTIONAL PARTS

2-1. FOR OUTDOOR UNIT

2-BRANCH PIPE (Joint) (In case of using 2-branch boxes)

Parts No.	Connection method
MSDD-50AR-E	flare
MSDD-50BR-E	brazing

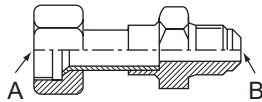
Note: Select a joint according to the connection method.

2-2. FOR BRANCH BOX

Different-diameter joint (Flare type)

Part No.	Connected pipes diameter	Diameter A	Diameter B	<Reference> Conversion formula	
	mm	mm	mm		
MAC-A454JP-E	ø9.52 → ø12.7	ø9.52	ø12.7	1/4 inch	ø6.35 mm
MAC-A455JP-E	ø12.7 → ø9.52	ø12.7	ø9.52	3/8 inch	ø9.52 mm
MAC-A456JP-E	ø12.7 → ø15.88	ø12.7	ø15.88	1/2 inch	ø12.7 mm
PAC-493PI	ø6.35 → ø9.52	ø6.35	ø9.52	5/8 inch	ø15.88 mm
PAC-SG76RJ-E	ø9.52 → ø15.88	ø9.52	ø15.88	3/4 inch	ø19.05 mm
PAC-SG75RJ-E	ø15.88 → ø19.05	ø15.88	ø19.05	7/8 inch	ø22.2 mm
PAC-SG71RJ-E	ø15.88 → ø22.2	ø15.88	ø22.2*		

*Brazing



Parts name	Parts No.
Branch Box Outer Cover (for outdoor installation)	PAC-AK350CVR-E
Reactor Box for Branch Box	PAC-RB01BC

MITSUBISHI ELECTRIC CORPORATION

HEAD OFFICE: TOKYO BUILDING, 2-7-3, MARUNOUCHI, CHIYODA-KU, TOKYO 100-8310, JAPAN