

SERVICE PARTS LIST FOR MITSUBISHI ELECTRIC PACKAGED AIR-CONDITIONERS

Series : CMH-WM•V-A

For use with the R32

REVISED

Apr.2021

BWE01833A

INDEX

CMH-WM250V-A

CMH-WM350V-A

CMH-WM500V-A

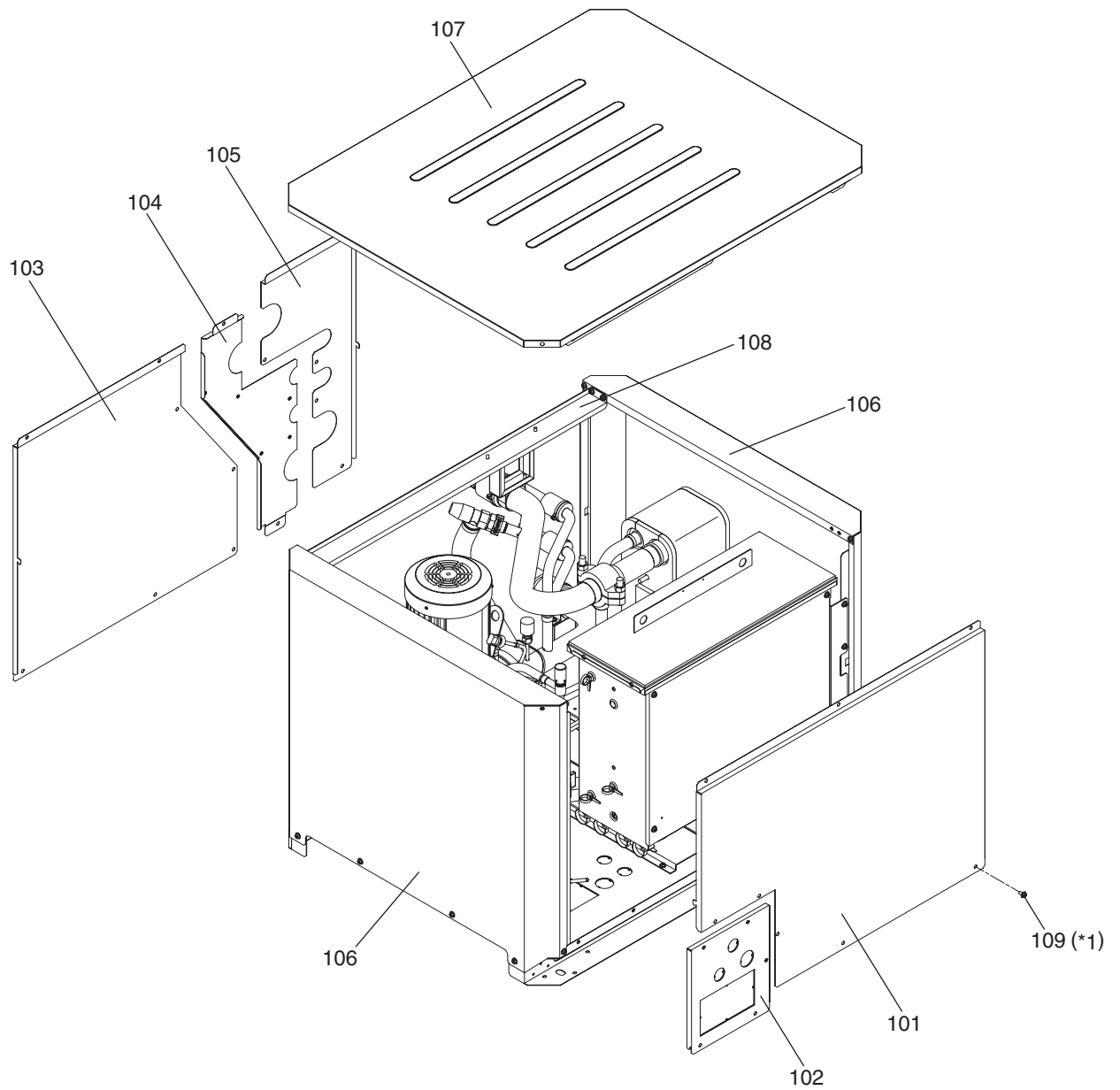
Part information update day : 2021/04/08

Please change the old catalog (issued June 2019, No.BWE018330) to this new catalog.
Content of revision : Some of parts are changed.



CMH-WM250V-A
CMH-WM350V-A
CMH-WM500V-A

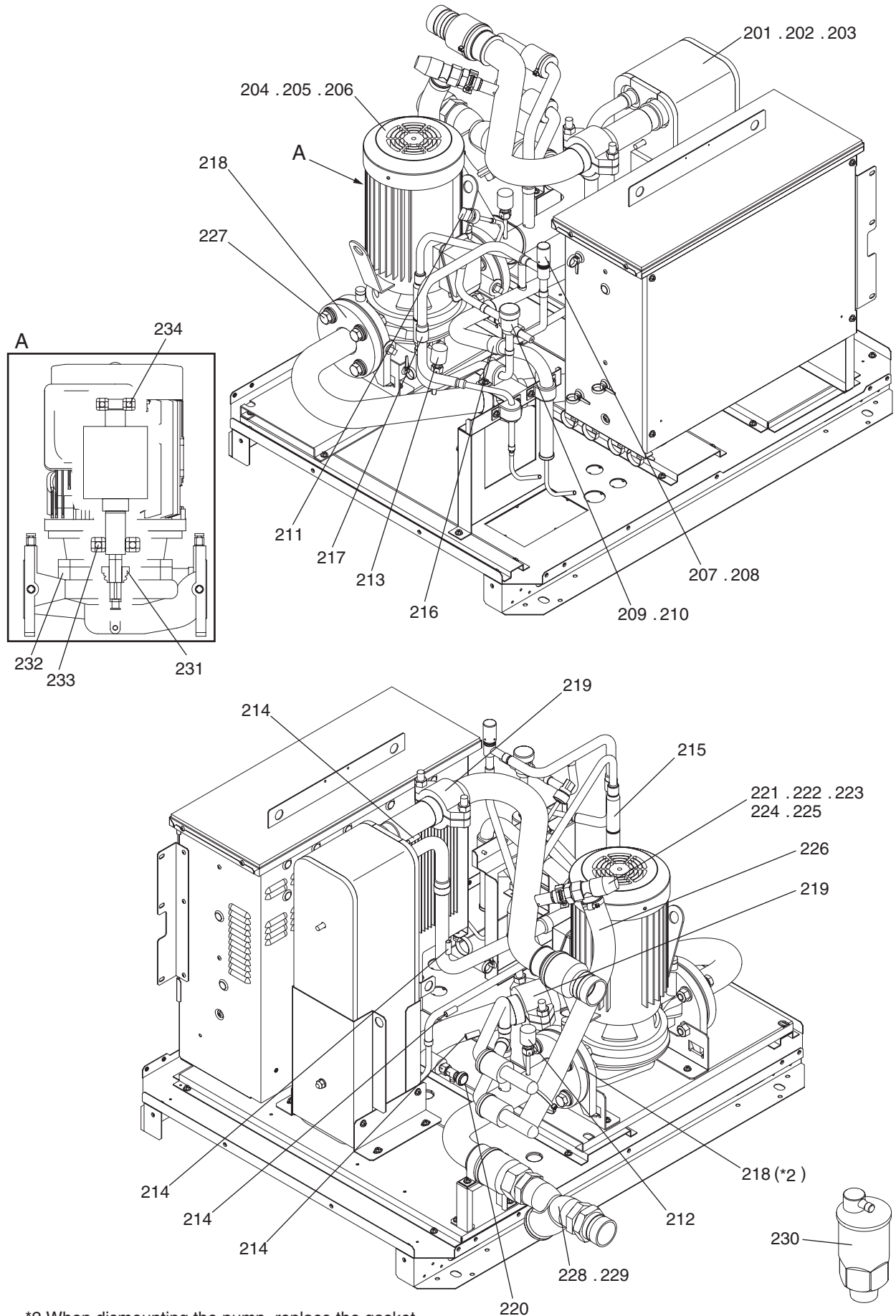
EXTERNAL PARTS



*1 77 H Screws (part No.109)

CMH-WM250V-A
 CMH-WM350V-A
 CMH-WM500V-A

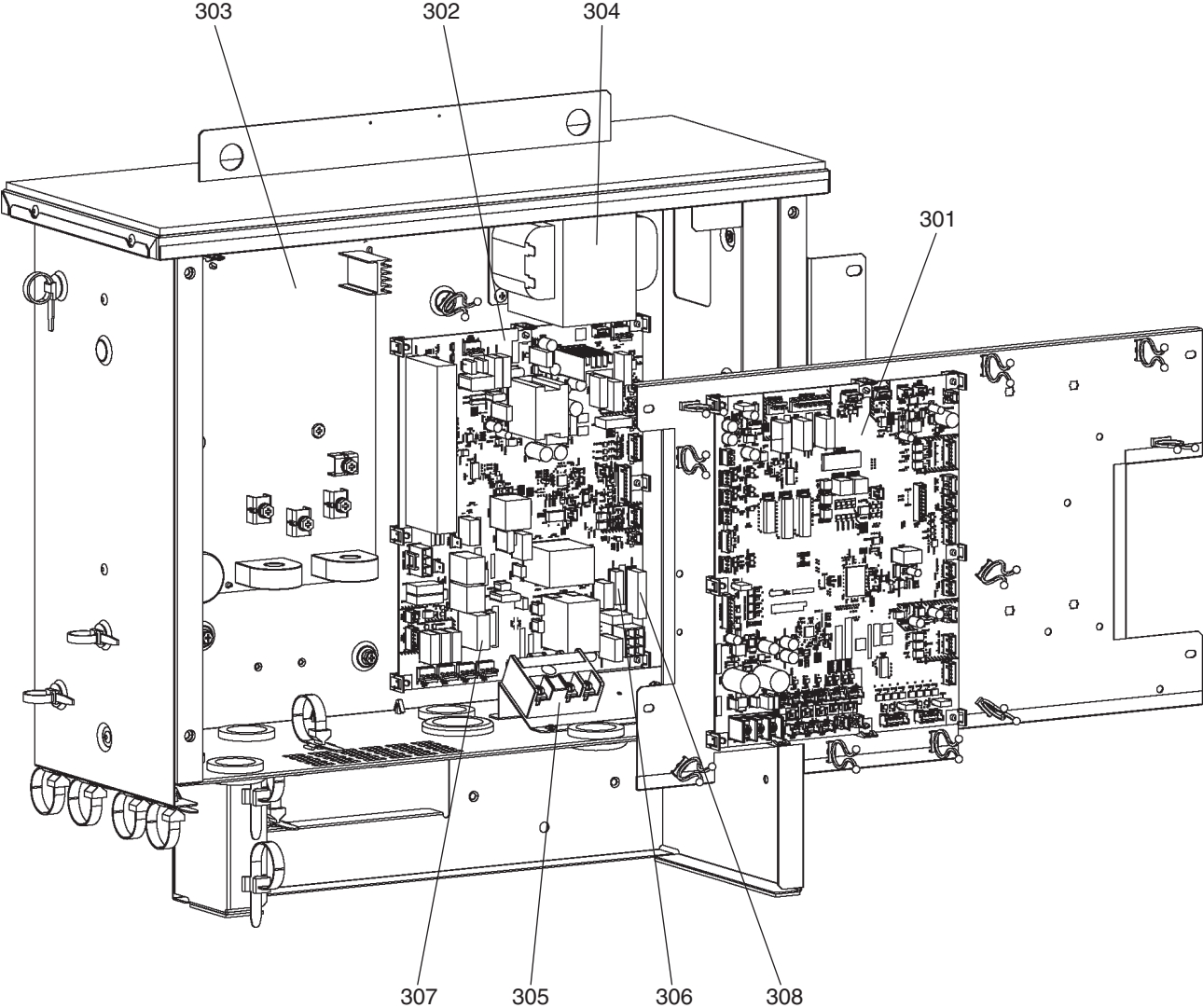
FUNCTIONAL PARTS



*2 When dismantling the pump, replace the gasket.

CMH-WM250V-A
CMH-WM350V-A
CMH-WM500V-A

CONTROL BOX PARTS



mitsubishi
electric
corporation

BWE01833A (20210430)