

SERVICE PARTS LIST FOR MITSUBISHI ELECTRIC PACKAGED AIR-CONDITIONERS

Series : CMB

REVISED

Feb.2023

BWE02151A

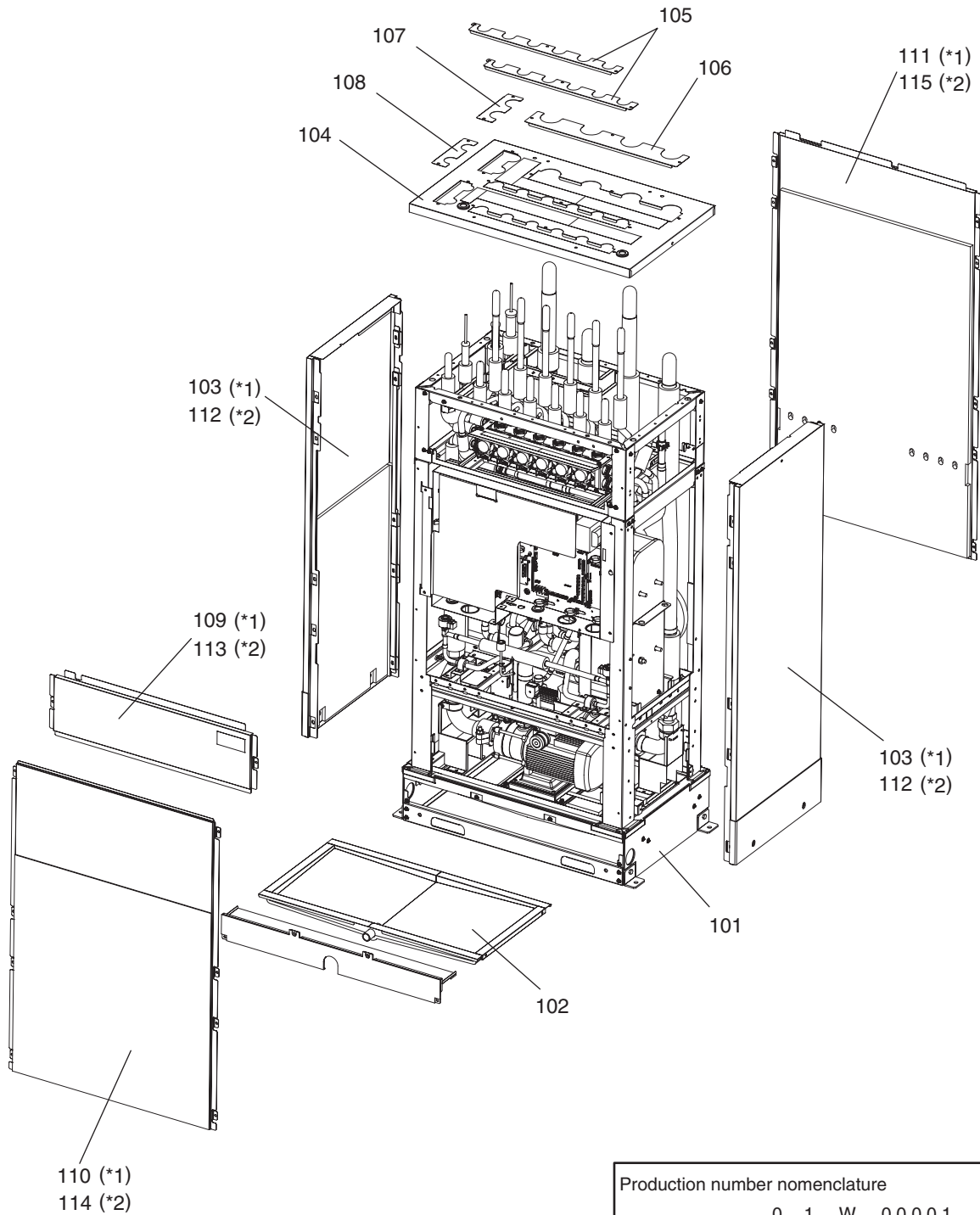
INDEX
CMB-WM350F-AA CMB-WM500F-AA

Part information update day : **2023/02/14**

Please change the old catalog (issued Nov. 2021, No.BWE021510) to this new catalog.

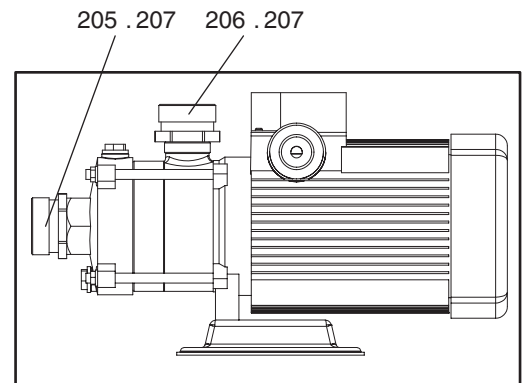
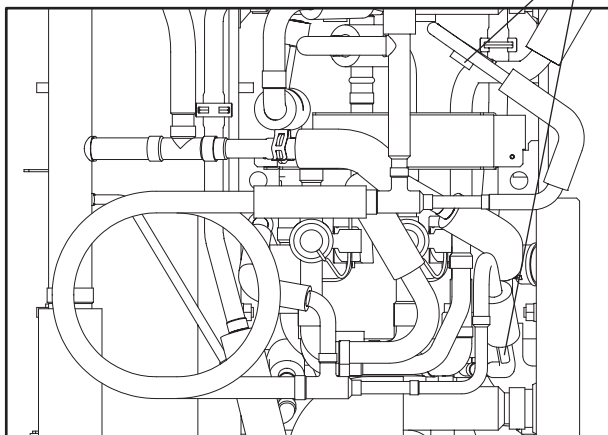
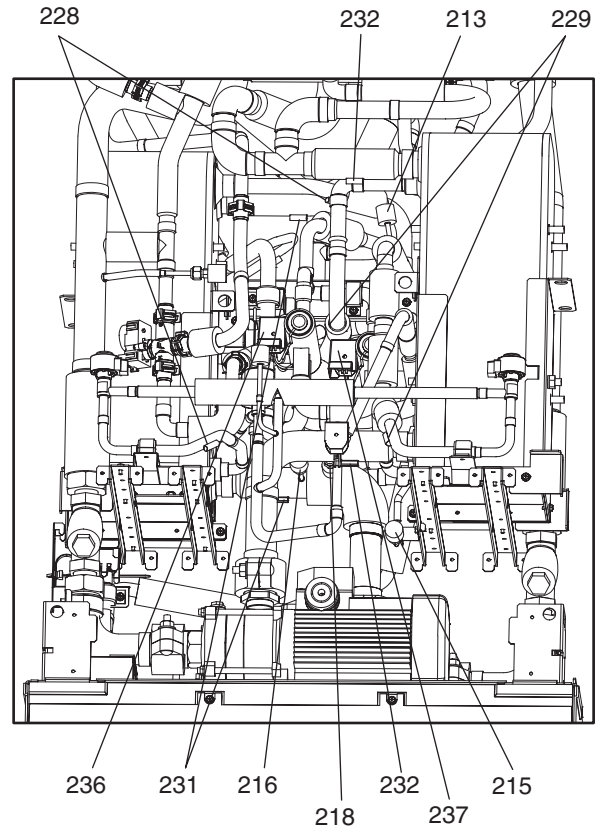
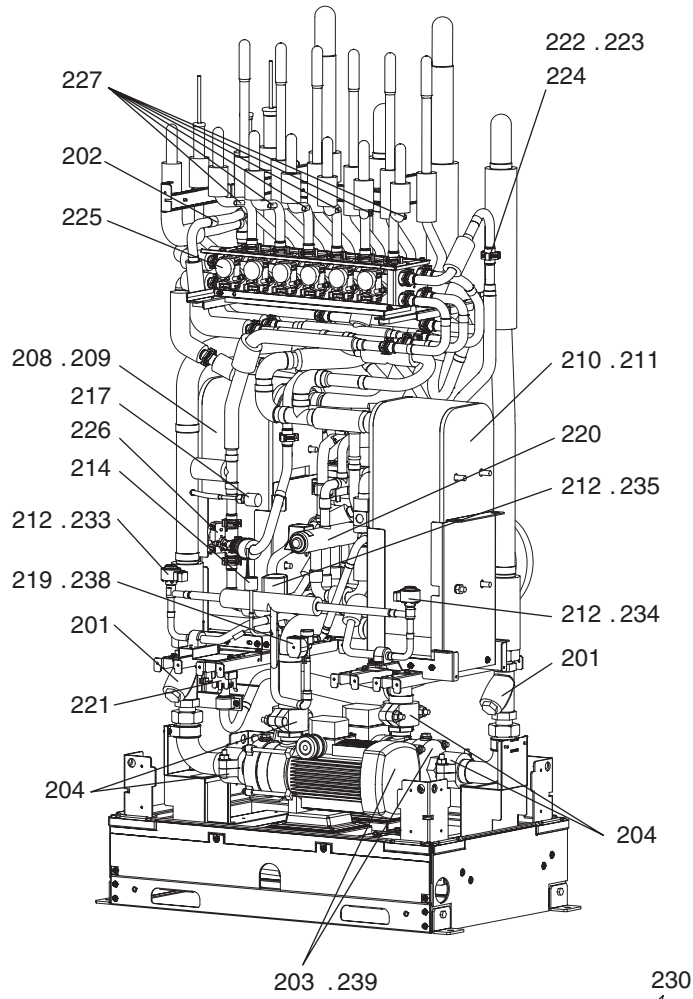
Content of revision : Some of parts are changed.



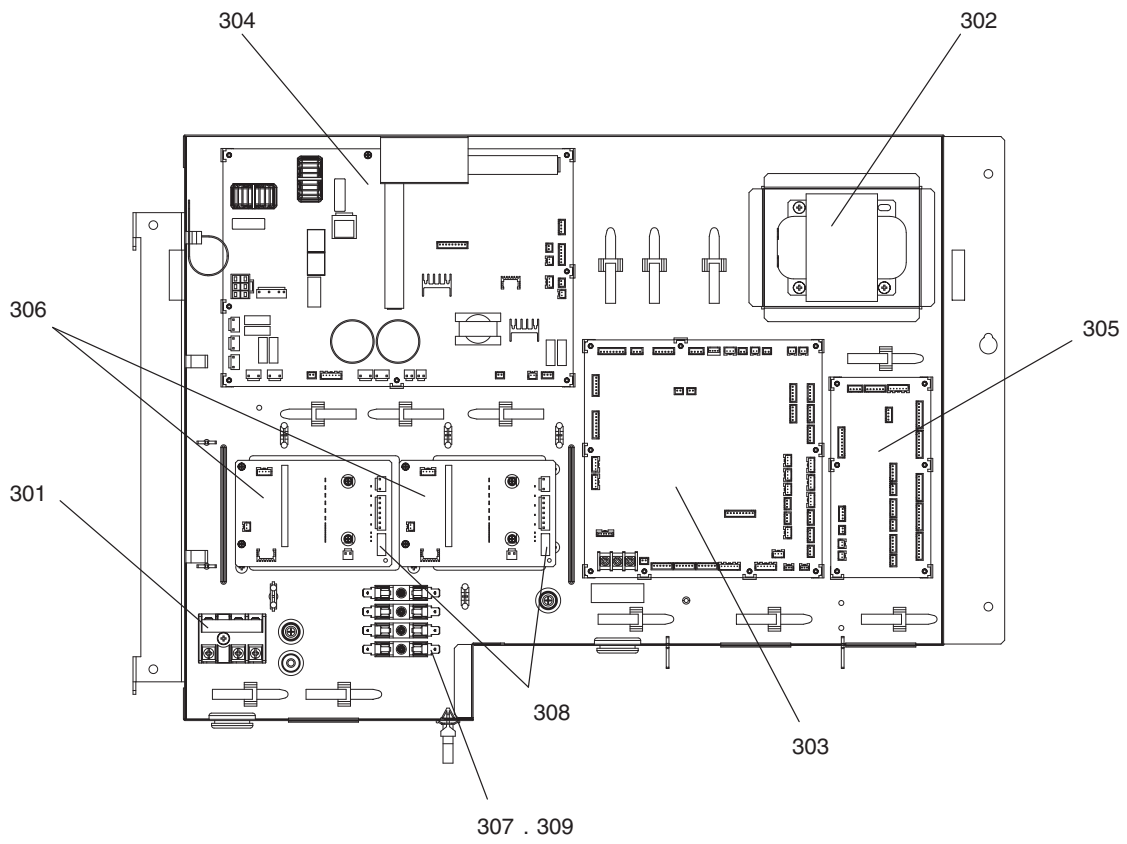


*1 Production in or before Dec. 2022 (Serial No.: Up to 2ZW*****)
*2 Production in and after Jan. 2023 (Serial No.: 21W***** and on)

Production number nomenclature			
0	1	W	00001
(1)	(2)	(3)	(4)
(1) Last digit of the production year (cycles back in 10 years) *0 = Produced in FY2010 (April 2010 – March 2011) *1 = Produced in FY2011 (April 2011 – March 2012) *9 = Produced in FY2019 (April 2019 – March 2020)			
(2) 1 = Production month (1 – 9 = Jan. – Sept.; X = Oct.; Y = Nov.; Z = Dec.)			
(3) W = Standard product			
(4) Serial number			



No.	Part No.	Part Name	Spec.	CMB-WM350F-AA	CMB-WM500F-AA						Dwg. No.	Notes for the models	Revision info.
201	R61 020 454	Strainer SP kit	1B	2	2						KJ00P736G01		
202	R63 Y03 454	Strainer		1	1						W893281G01		
203	R61 041 539	Pump SP	CHLF4-20	2	2						KJ00P755G01		
204	R15 010 040	Joint	40A	4	4						P669010X01		
205	R61 006 592	Joint in SP kit		2	2						KJ00P731G01		
206	R61 007 592	Joint out SP kit		2	2						KJ00P737G01		
207	R61 006 574	O-ring SP kit	37.7 29.7	2	2						KJ00P738G01		
208	R61 L98 480	Plate HEX assy HL SP			1						KJ00P730G01		
209	R61 L99 480	Plate HEX assy HM SP		1							KJ00P730G02		
210	R61 M01 480	Plate HEX assy CL SP			1						KJ00P733G01		
211	R61 M04 480	Plate HEX assy CM SP		1							KJ00P733G02		
212	R61 107 401	Linear expansion valve	PAM-BB0YGMD-2	3	3						KR50C486H01	<LEV1 ~ 3>	
213	R61 122 288	Pressure sensor	HP D500	1	1						P418135X01	<PS1>	
214	R61 154 288	Pressure sensor		1	1						P418188X01	<PS3>	
215	R61 113 288	Pressure sensor water	NSK-BH010B-722	1	1						P418162X01	<PW1>	
216	R61 114 288	Pressure sensor water	NSK-BH010B-724	1	1						P418164X01	<PW2>	
217	R61 155 288	Pressure sensor water	NSK-BH010B-877	1	1						P418189X01	<PW3>	
218	R61 156 288	Pressure sensor water	NSK-BH010B-878	1	1						P418190X01	<PW4>	
219	R61 040 232	Solenoid valve	VPV-803DQ50	1	1						P631300X01	<SV1>	
220	R61 034 403	4-way valve assy SP		1	1						KJ00P734G01	<21S4Ma,Mb>	
221	R61 014 410	Relief valve		1	1						P634030X01		
222	R61 004 532	Nipple	5pcs POM	8	8						KD00F665G02		
223	R61 023 326	Clip	5pcs	8	8						KD00F663G01		
224	R61 001 574	O-ring	10pcs 15.8	8	8						KD00F664G01		
225	R61 032 538	Valve block assy SP		1	1						KB00C4KYG01		
226	R61 002 420	3-way valve		1	1						P633128X01		
227	R61 094 287	Sensor assy		1	1						KD00N821G04	<TH31a ~ f>	
228	R61 095 287	Sensor assy		1	1						KB00C38TG03	<TH11,13>	
229	R61 096 287	Sensor assy		1	1						KB00C38UG02	<TH12,14>	
230	R61 097 287	Sensor assy		1	1						KB00C38VG03	<TH15,16>	
231	R61 098 287	Sensor assy		1	1						KB00C38WG03	<TH32,35>	
232	R61 099 287	Sensor assy		1	1						KB00C38XG02	<TH33,34>	
233	R61 086 243	Solenoid coil assy	PAM-MD12MD-12	1	1						KD00F455G16	<LEV1>	
234	R61 087 243	Solenoid coil assy	PAM-MD12MD-13	1	1						KD00F455G17	<LEV2>	
235	R61 088 243	Solenoid coil assy	PAM-MD12MD-14	1	1						KD00F455G18	<LEV3>	
236	R61 089 243	Solenoid coil assy	SQ-A2122G-005025-RK	1	1						KB00C41JG06	<21S4Ma>	
237	R61 090 243	Solenoid coil assy	SQ-A2122G-005025-RK	1	1						KB00C41JG07	<21S4Mb>	
238	R61 091 243	Solenoid coil assy	VPV-MOAJ510C1	1	1						KB00C41JG08	<SV1>	
239	R61 012 495	Pump seal SP kit		2	2						KJ00P760G01		



mitsubishi
electric
corporation

BWE02151A (20230228)