

SERVICE PARTS LIST FOR MITSUBISHI ELECTRIC PACKAGED AIR-CONDITIONERS

Series : CMB

REVISED

Aug. 2022

BWE01804C

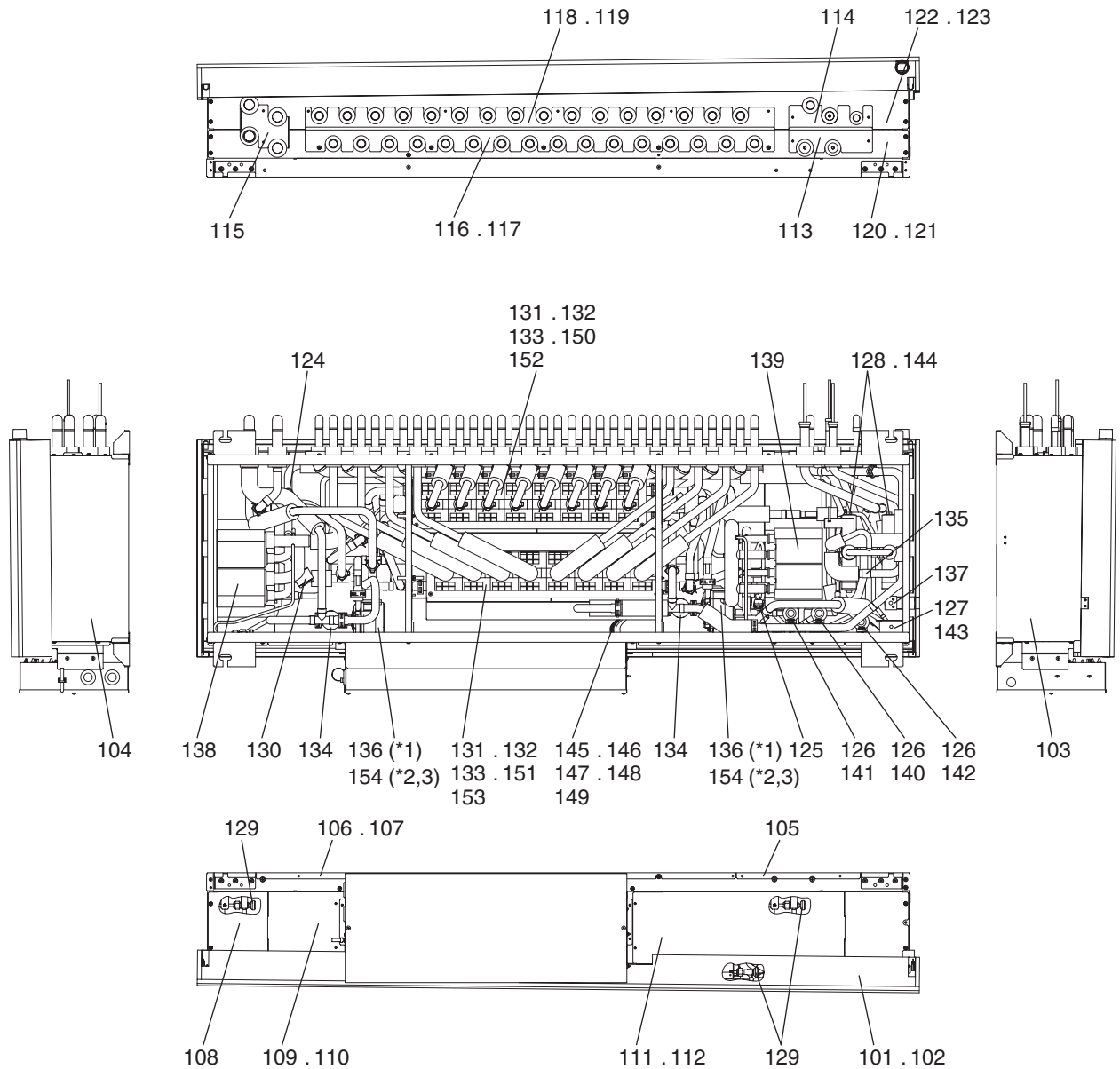
INDEX
CMB-WM108V-AA
CMB-WM1016V-AA
CMB-WM108V-AB
CMB-WM1016V-AB

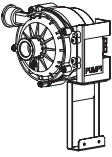
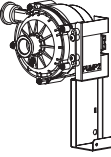
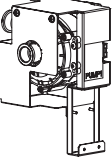
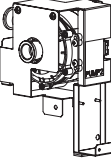
Part information update day : **2022/08/19**

Please change the old catalog (issued Mar. 2022, No.BWE01804B) to this new catalog.

Content of revision : Some of parts are changed.





<p>OLD-Type</p>	  <p>PUMP1 PUMP2</p>
<p>NEW-Type</p> <p>Production in and after June 2022 (Serial No.: 26W**** and on)</p>	  <p>PUMP1 PUMP2</p>

Production number nomenclature

0	1	W	0	0	0	1
(1)	(2)	(3)	(4)			

(1) Last digit of the production year
(cycles back in 10 years)
*0 = Produced in FY2010 (April 2010 – March 2011)
*1 = Produced in FY2011 (April 2011 – March 2012)
*9 = Produced in FY2019 (April 2019 – March 2020)

(2) 1 = Production month
(1 – 9 = Jan. – Sept.; X = Oct.; Y = Nov.; Z = Dec.)

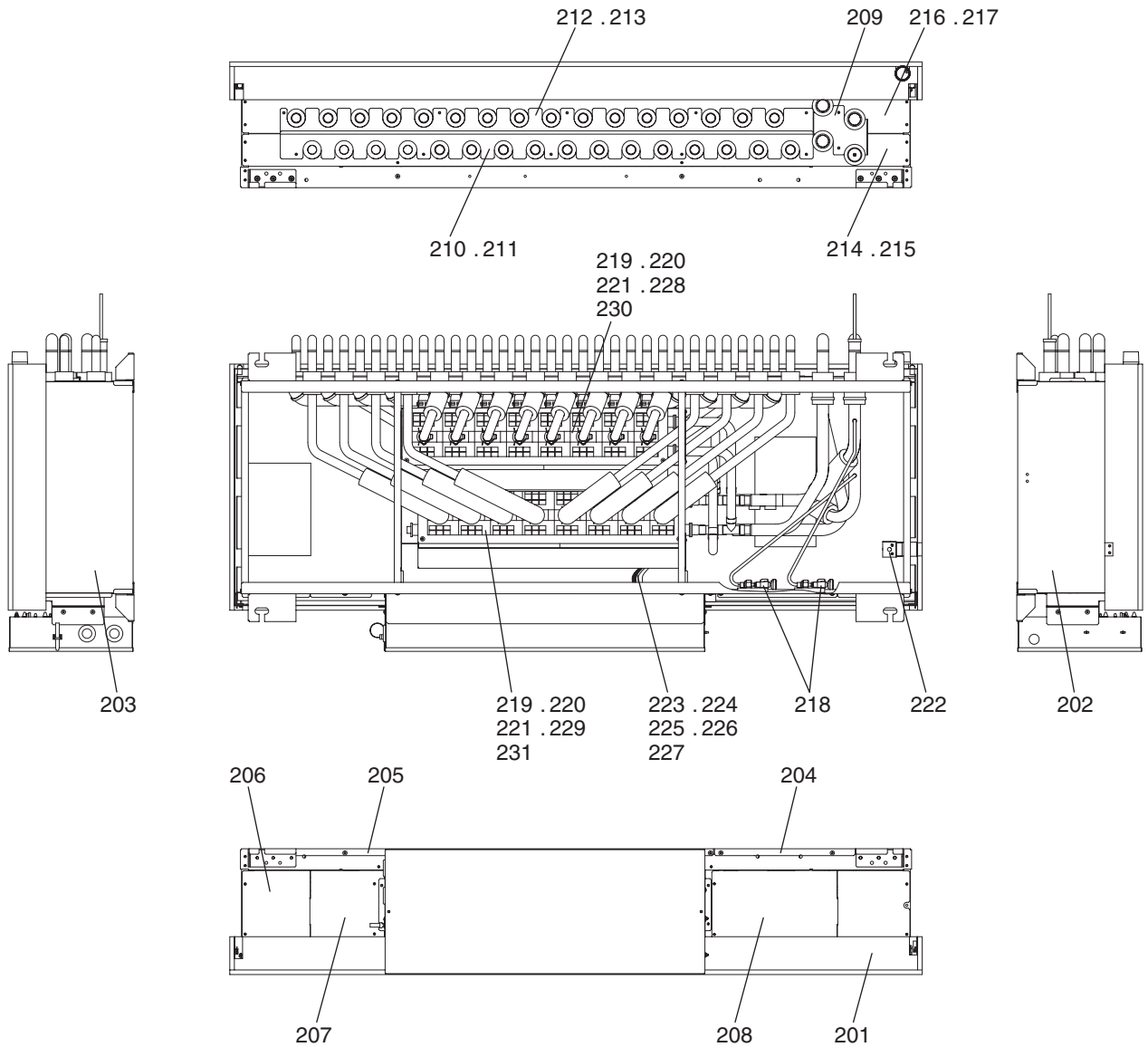
(3) W = Standard product

(4) Serial number

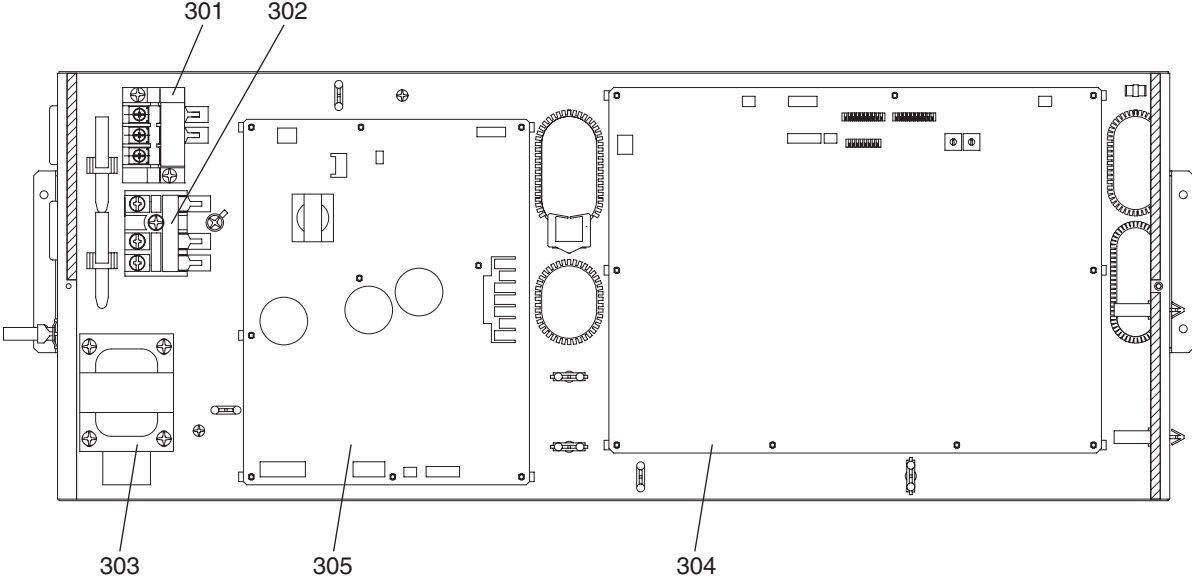
- *1 Replace this part when using the new-type pump shown at left.
- *2 Replace this part when using the old-type pump shown at left.
- *3 This kit contains the parts for two pumps.

No.	Part No.	Part Name	Spec.	CMB-WM108V-AA	CMB-WM1016V-AA					Dwg. No.	Notes for the models	Revision info.
101	R61 147 529	Drain pan			1					KJ00R326G01		
102	R61 148 529	Drain pan		1						KJ00R364G01		
103	R61 324 651	Panel SL		1	1					KB02V561H02		
104	R61 325 651	Panel SR		1	1					KB02V562H02		
105	R61 326 651	Panel TL		1	1					KJ02R327H02		
106	R61 327 651	Panel TR			1					KB02V901H01		
107	R61 328 651	Panel TR		1						KJ02R347H02		
108	R61 178 690	Cover BR L		1	1					KJ02T513H01		
109	R61 179 690	Cover BR R			1					KJ02T536H01		
110	R61 180 690	Cover BR R		1						KJ02T514H01		
111	R61 181 690	Cover BL L			1					KJ02T535H01		
112	R61 182 690	Cover BL L		1						KJ02T511H01		
113	R61 183 690	Cover SL U		1	1					KD02S572H01		
114	R61 184 690	Cover SL B		1	1					KD02S571H01		
115	R61 199 690	Cover SL		1	1					KJ02F088H01		
116	R61 186 690	Cover MU			1					KJ02R330H01		
117	R61 187 690	Cover MU		1						KJ02R349H01		
118	R61 188 690	Cover MB			1					KJ02R329H01		
119	R61 189 690	Cover MB		1						KJ02R348H01		
120	R61 329 651	Panel FU			1					KB02V573H03		
121	R61 330 651	Panel FU		1						KB02V581H03		
122	R61 332 651	Panel FB			1					KB02V572H03		
123	R61 333 651	Panel FB		1						KB02V580H03		
124	R61 117 288	Pressure sensor	HP D272	1	1					KD00U849G05	<PS1>	
125	R61 118 288	Pressure sensor	HP D272	1	1					KD00U849G06	<PS3>	
126	R61 107 401	Linear expansion valve	PAM-BB0YGM2-2	3	3					KR50C486H01	<LEV1 ~ 3>	
127	R63 4F3 232	Solenoid valve	ATS-B7SMD-2	1	1					P631290X01	<SV>	
128	R61 014 403	Four way valve	STF-H0421	2	2					P633131X01	<21S4>	
129	R61 024 410	Air purge valve		3	3					KD00U871G02		
130	R61 014 410	Relief valve		1	1					P634030X01		
131	R61 023 326	Clip	5pcs	10	13					KD00F663G01		
132	R61 001 574	O-ring	10pcs 15.8	10	13					KD00F664G01		
133	R61 004 532	Nipple	5pcs	10	13					KD00F665G02		
134	R61 011 454	Strainer		2	2					P641139X01		
135	R63 Y03 454	Strainer		1	1					W893281G01		
136	R61 019 539	Pump		2	2					P722134X01	*1	
137	R61 039 541	Float switch		1	1					KD00F457G06		
138	R61 L89 480	Plate HEX assy H		1	1					KB00C20QG01		
139	R61 A06 480	Plate HEX assy C		1	1					KS00C224G02		
140	R61 100 243	Solenoid coil	PAM-MD12MD-12	1	1					KD00F455G13	<LEV1>	
141	R61 101 243	Solenoid coil	PAM-MD12MD-13	1	1					KD00F455G14	<LEV2>	
142	R61 102 243	Solenoid coil	PAM-MD12MD-14	1	1					KD00F455G15	<LEV3>	
143	R63 Y18 243	Solenoid coil	A20-1B02B-1	1	1					P472012X01	<SV>	
144	R61 009 242	Solenoid coil	STF-H01AJ1737A1	2	2					P472092X01	<21S4>	
145	R61 039 287	Sensor assy		1	1					KB00V633G02	<TH11 ~ 16,32,33>	

No.	Part No.	Part Name	Spec.	CMB-WM108V-AA	CMB-WM1016V-AA				Dwg. No.	Notes for the models	Revision info.
146	R61 040 287	Sensor assy			1				KB00V634G02	<TH31a ~ d,31m ~ p>	
147	R61 041 287	Sensor assy		1					KB00V657G02	<TH31a ~ d>	
148	R61 042 287	Sensor assy			1				KB00V635G02	<TH31e ~ l,34,35>	
149	R61 043 287	Sensor assy			1				KB00V658G02	<TH31e ~ h,34,35>	
150	R61 033 538	Valve block assy U			1				KB00C4KYG06		
151	R61 034 538	Valve block assy B			1				KB00C4KYG07		
152	R61 035 538	Valve block assy U			1				KB00C4KYG02		
153	R61 036 538	Valve block assy B			1				KB00C4KYG03		
154	R61 043 539	Pump assy Kit		1	1				KJ00P972G01	*2,3	Add.



No.	Part No.	Part Name	Spec.	CMB-WM108V-AB	CMB-WM1016V-AB						Dwg. No.	Notes for the models	Revision info.
201	R61 148 529	Drain pan		1	1						KJ00R364G01		
202	R61 324 651	Panel SL		1	1						KB02V561H02		
203	R61 325 651	Panel SR		1	1						KB02V562H02		
204	R61 326 651	Panel TL		1	1						KJ02R327H02		
205	R61 328 651	Panel TR		1	1						KJ02R347H02		
206	R61 178 690	Cover BR L		1	1						KJ02T513H01		
207	R61 180 690	Cover BR R		1	1						KJ02T514H01		
208	R61 182 690	Cover BL L		1	1						KJ02T511H01		
209	R61 185 690	Cover SL		1	1						KD02S619H01		
210	R61 186 690	Cover MU			1						KJ02R330H01		
211	R61 187 690	Cover MU		1							KJ02R349H01		
212	R61 188 690	Cover MB			1						KJ02R329H01		
213	R61 189 690	Cover MB		1							KJ02R348H01		
214	R61 334 651	Panel FU		1							KB02V623H01		
215	R61 335 651	Panel FU			1						KB02V621H01		
216	R61 336 651	Panel FB		1							KB02V622H02		
217	R61 337 651	Panel FB			1						KB02V620H02		
218	R61 024 410	Air purge valve		2	2						KD00U871G02		
219	R61 023 326	Clip	5pcs	5	9						KD00F663G01		
220	R61 001 574	O-ring	10pcs 15.8	5	9						KD00F664G01		
221	R61 004 532	Nipple	5pcs	5	9						KD00F665G02		
222	R61 039 541	Float switch		1	1						KD00F457G06		
223	R61 040 287	Sensor assy			1						KB00V634G02	<TH31a ~ d,31m ~ p>	
224	R61 041 287	Sensor assy			1						KB00V657G02	<TH31a ~ d>	
225	R61 044 287	Sensor assy		1	1						KJ00T887G02	<TH32,33>	
226	R61 045 287	Sensor assy			1						KB00V659G02	<TH31e ~ l>	
227	R61 046 287	Sensor assy			1						KB00V660G02	<TH31e ~ h>	
228	R61 030 538	Valve block assy U			1						KB00C4KYG08		
229	R61 031 538	Valve block assy B			1						KB00C4KYG09		
230	R61 028 538	Valve block assy U			1						KB00C4KYG04		
231	R61 029 538	Valve block assy B			1						KB00C4KYG05		



mitsubishi
electric
corporation

BWE01804C (20220831)