

# SERVICE PARTS LIST FOR MITSUBISHI ELECTRIC PACKAGED AIR-CONDITIONERS

Series : CMB

REVISED

Apr. 2023

BWE01913C

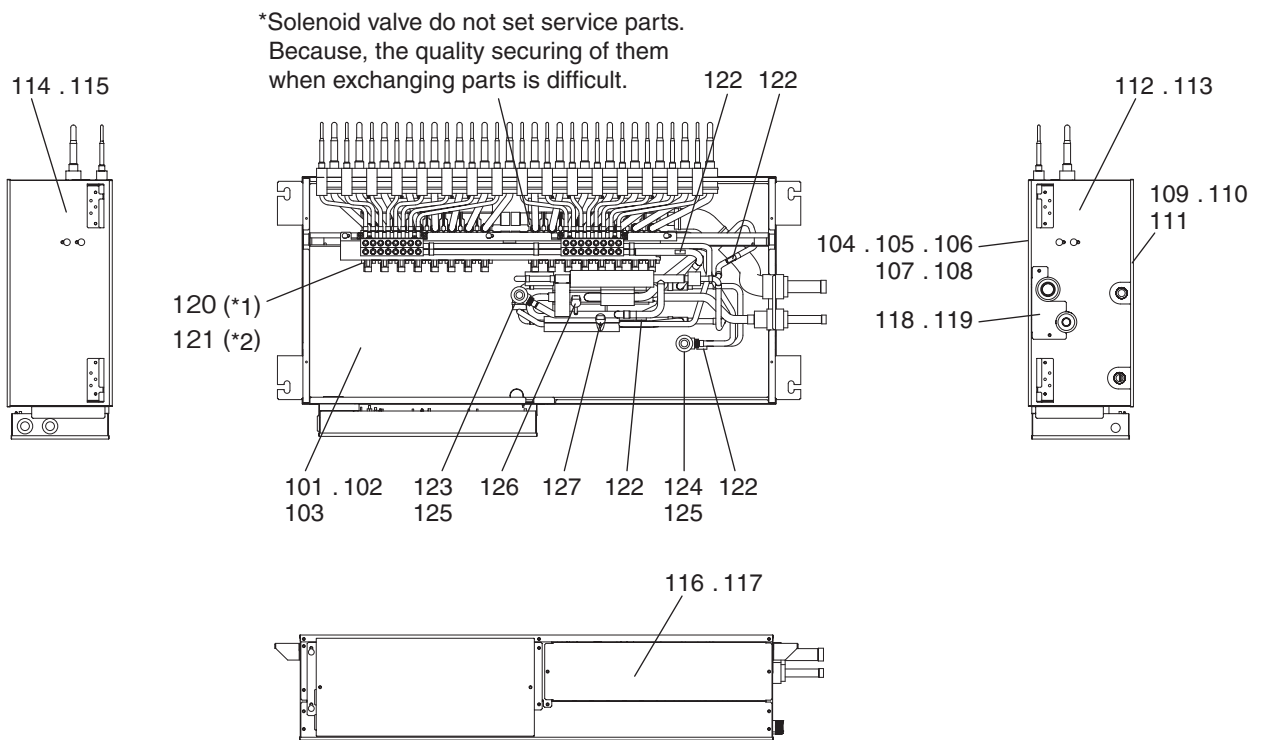
INDEX
CMB-M104V-J1
CMB-M106V-J1
CMB-M108V-J1
CMB-M1012V-J1
CMB-M1016V-J1
CMB-M108V-JA1
CMB-M1012V-JA1
CMB-M1016V-JA1
CMB-P1016V-KA1
CMB-M104V-KB1
CMB-M108V-KB1

Part information update day : 2023/03/22



Please change the old catalog (issued June. 2022, No.BWE01913B) to this new catalog.  
Content of revision : Some of parts are changed. Added new models.

CMB-M104,M106,M108,M1012,M1016V-J1 EXTERNAL PARTS & FUNCTIONAL PARTS (1)

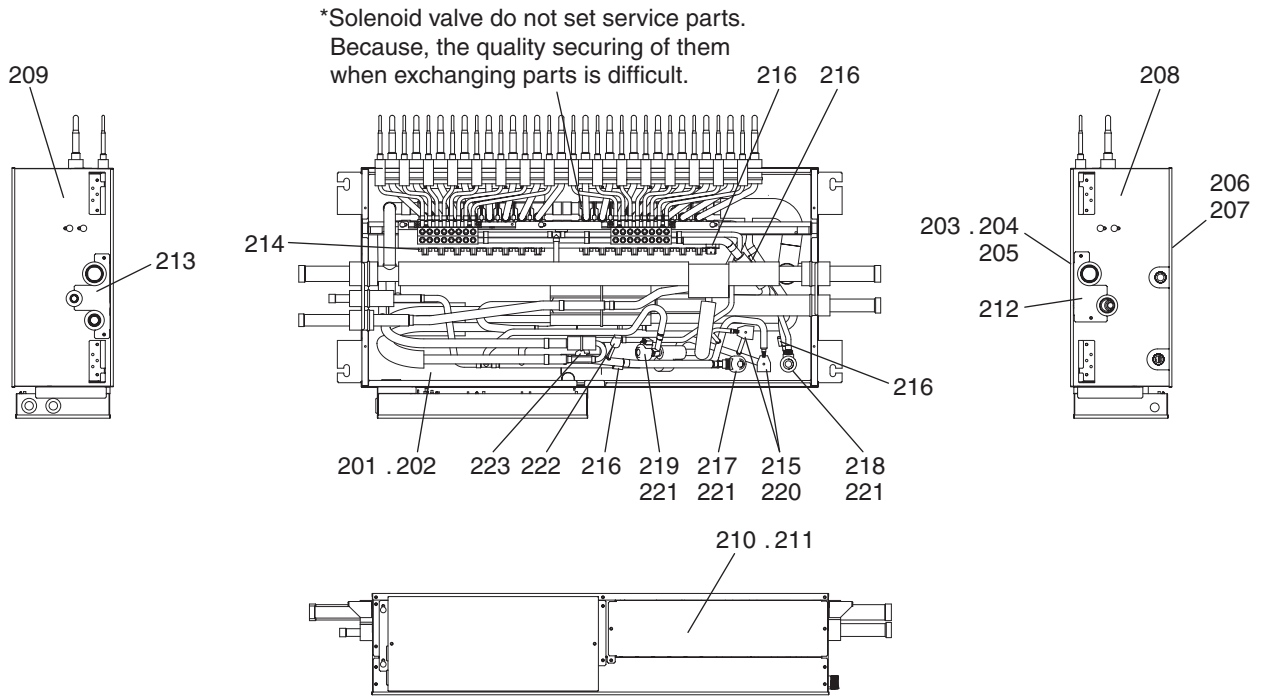


Applicable models: CMB-M104V-J1, M106V-J1, and M108V-J1

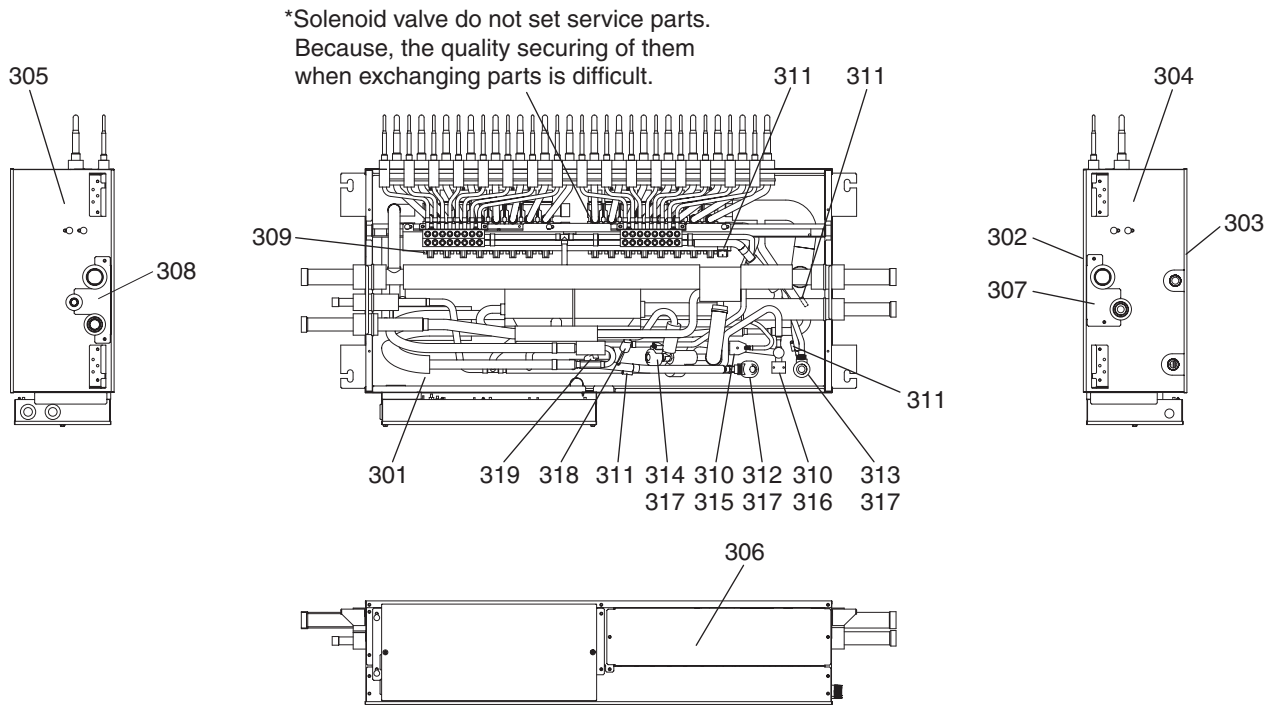
- \*1 Production in or before Jan. 2023 (Serial No.: Up to 21W\*\*\*\*\*)
- \*2 Production in and after Feb. 2023 (Serial No.: 22W\*\*\*\*\*) and on)

Production number nomenclature			
0	1	W	0 0 0 1
(1)	(2)	(3)	(4)
(1) Last digit of the production year (cycles back in 10 years)			
*0 = Produced in FY2010 (April 2010 – March 2011)			
*1 = Produced in FY2011 (April 2011 – March 2012)			
*9 = Produced in FY2019 (April 2019 – March 2020)			
(2) 1 = Production month (1 – 9 = Jan. – Sept.; X = Oct.; Y = Nov.; Z = Dec.)			
(3) W = Standard product			
(4) Serial number			



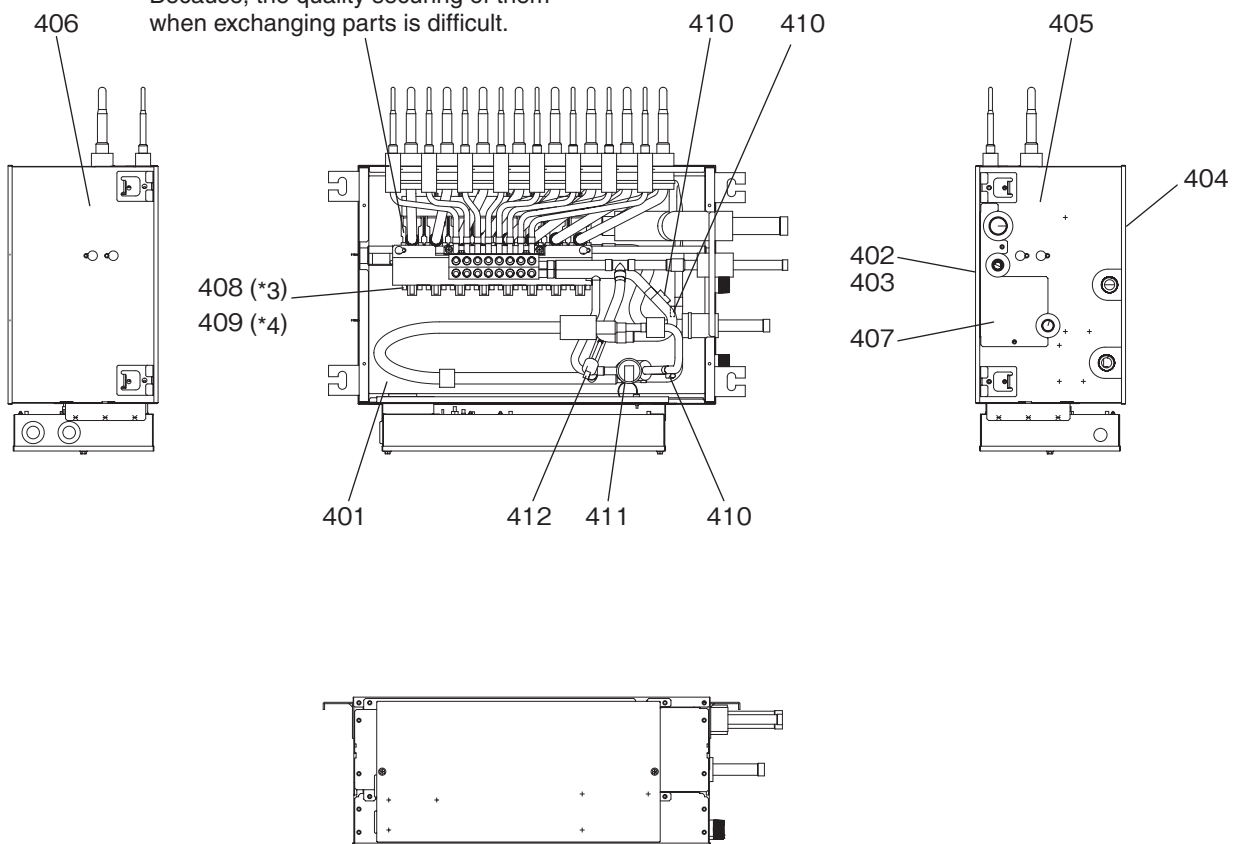


No.	Part No.	Part Name	Spec.	CMB-M108V-JA1	CMB-M1012V-JA1	CMB-M1016V-JA1		Dwg. No.	Notes for the models	Revision info.
201	R61 205 529	Drain pan		1				KB00Y522G01		
202	R61 206 529	Drain pan			1	1		KB00Y523G01		
203	R61 435 651	Panel T		1				KJ00K872G08		
204	R61 436 651	Panel T			1			KJ00K872G06		
205	R61 427 651	Panel T				1		KJ00K872G05		
206	R61 429 651	Panel U		1				KJ00K897G04		
207	R61 430 651	Panel U			1	1		KJ00K897G03		
208	R61 432 651	Panel SL		1	1	1		KL00R470G03		
209	R61 437 651	Panel SR		1	1	1		KL00R472G02		
210	R61 244 690	Cover B		1				KL02T052H01		
211	R61 245 690	Cover B			1	1		KL02T402H01		
212	R61 247 690	Cover L		1	1	1		KJ02K504H01		
213	R61 248 690	Cover R		1	1	1		KJ02K505H01		
214	R61 106 243	Solenoid valve coil	A22-1B01B-1	8	12	16		KB00C66HG02		Chg.
215	R61 071 243	Solenoid valve coil	VPV-MOAJ510C1	1	1	1		KL00T174G02	<SVM1,SVM1b>	
216	R61 280 200	Thermistor	PXM-41E-M105	4	4	4		P418144X01	<TH11,12,15,16>	
217	R61 095 243	Solenoid valve coil	PAM-MD12MD-21	1	1	1		P472119X01	<LEV1>	
218	R61 096 243	Solenoid valve coil	PAM-MD12MD-22	1	1	1		P472120X01	<LEV3>	
219	R61 097 243	Solenoid valve coil	PAM-MD12MD-23	1	1	1		P472121X01	<LEV4>	
220	R63 001 921	Solenoid valve	VPV-603DQ3	2	2	2		P631295X01	<SVM1,SVM1b>	
221	R61 107 401	Linear expansion valve	PAM-BB0YGMD-2	3	3	3		KR50C486H01	<LEV1,3,4>	
222	R61 149 288	Pressure sensor set		1	1	1		KJ00M947G01		
223	R61 150 288	Pressure sensor set		1	1	1		KJ00M947G02		



No.	Part No.	Part Name	Spec.	CMB-P1016V-KA1										Dwg. No.	Notes for the models	Revision info.
301	R61 206 529	Drain pan		1										KB00Y523G01		
302	R61 427 651	Panel T		1										KJ00K872G05		
303	R61 430 651	Panel U		1										KJ00K897G03		
304	R61 432 651	Panel SL		1										KL00R470G03		
305	R61 437 651	Panel SR		1										KL00R472G02		
306	R61 245 690	Cover B		1										KL02T402H01		
307	R61 247 690	Cover L		1										KJ02K504H01		
308	R61 248 690	Cover R		1										KJ02K505H01		
309	R61 106 243	Solenoid valve coil	A22-1B01B-1	16										KB00C66HG02		Chg.
310	R61 071 243	Solenoid valve coil	VPV-MOAJ510C1	1										KL00T174G02	<SVM1,SVM1b>	
311	R61 280 200	Thermistor	PXM-41E-M105	4										P418144X01	<TH11,12,15,16>	
312	R61 095 243	Solenoid valve coil	PAM-MD12MD-21	1										P472119X01	<LEV1>	
313	R61 096 243	Solenoid valve coil	PAM-MD12MD-22	1										P472120X01	<LEV3>	
314	R61 097 243	Solenoid valve coil	PAM-MD12MD-23	1										P472121X01	<LEV4>	
315	R63 001 921	Solenoid valve	VPV-603DQ3	1										P631295X01	<SVM1>	
316	R61 040 232	Solenoid valve	VPV-803DQ50	1										P631300X01	<SVM1b>	
317	R61 107 401	Linear expansion valve	PAM-BB0YGMD-2	3										KR50C486H01	<LEV1,3,4>	
318	R61 149 288	Pressure sensor set		1										KJ00M947G01		
319	R61 150 288	Pressure sensor set		1										KJ00M947G02		

\*Solenoid valve do not set service parts.  
Because, the quality securing of them  
when exchanging parts is difficult.



\*3 Production in or before Feb. 2022 (Serial No.: Up to 12W\*\*\*\*\*)  
\*4 Production in and after Mar. 2022 (Serial No.: 13W\*\*\*\*\* and on)

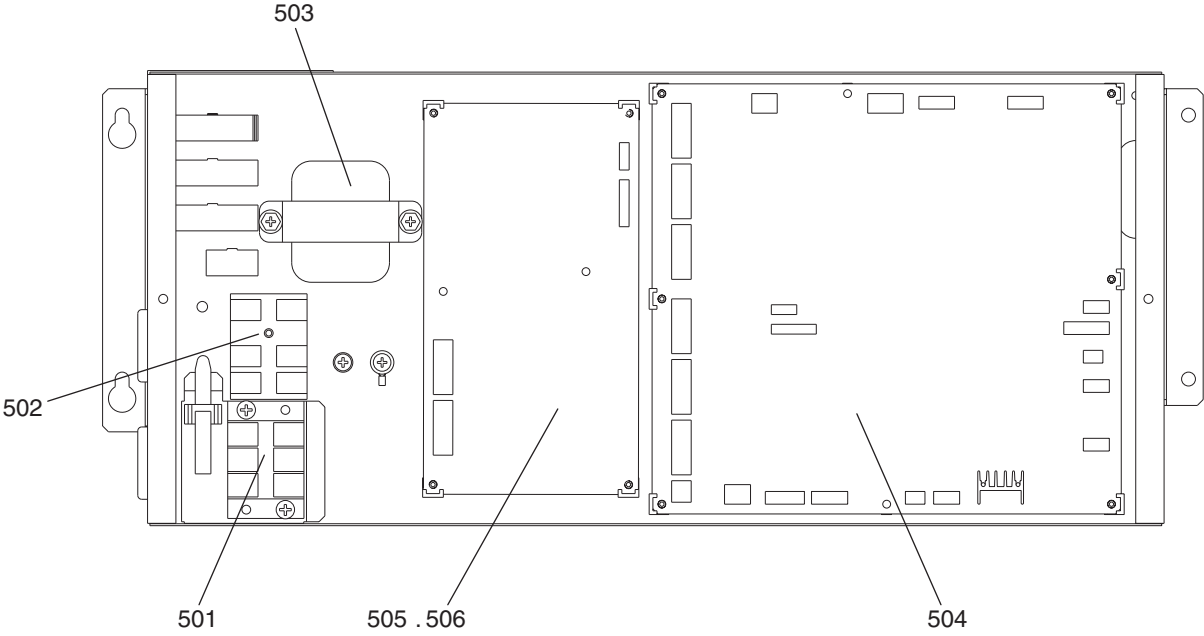
Production number nomenclature			
0	1	W	00001
(1)	(2)	(3)	(4)
(1) Last digit of the production year (cycles back in 10 years) *0 = Produced in FY2010 (April 2010 – March 2011) *1 = Produced in FY2011 (April 2011 – March 2012) *9 = Produced in FY2019 (April 2019 – March 2020)			
(2) 1 = Production month (1 – 9 = Jan. – Sept.; X = Oct.; Y = Nov.; Z = Dec.)			
(3) W = Standard product			
(4) Serial number			



No.	Part No.	Part Name	Spec.	CMB-M104V-KB1	CMB-M108V-KB1					Dwg. No.	Notes for the models	Revision info.
401	R61 204 529	Drain pan		1	1					KB00Y521G01		
402	R61 423 651	Panel T		1						KB00C03ZG04		
403	R61 425 651	Panel T			1					KB00C03ZG06		
404	R61 428 651	Panel U		1	1					KL02T616H01		
405	R61 431 651	Panel SL		1	1					KJ00K684G02		
406	R61 433 651	Panel SR		1	1					KJ00K674G01		
407	R61 249 690	Cover L		1	1					KL02T366H01		
408	R61 106 243	Solenoid valve coil	A22-1B01B-1	4	8					KB00C66HG02	*3	Chg.
409	R61 107 243	Solenoid valve coil	FQ-A0122G-000683	4	8					KB00C66HG03	*4	Chg.
410	R61 280 200	Thermistor	PXM-41E-M105	3	3					P418144X01	<TH12,15,16>	
411	R61 008 401	Linear expansion valve	EFM-A0YGMD-1	1	1					P632458X01	<LEV3>	
412	R61 150 288	Pressure sensor set		1	1					KJ00M947G02		

CMB-M104,M106,M108,M1012,M1016V-J1  
CMB-M108,M1012,M1016V-JA1  
CMB-P1016V-KA1,CMB-M104,M108V-KB1

CONTROL BOX PARTS



CMB-M104,M106,M108,M1012,M1016V-J1    CONTROL BOX PARTS  
 CMB-M108,M1012,M1016V-JA1  
 CMB-P1016V-KA1,CMB-M104,M108V-KB1

No.	Part No.	Part Name	Spec.	CMB-M104V-J1	CMB-M106V-J1	CMB-M108V-J1	CMB-M1012V-J1	CMB-M1016V-J1	CMB-M108V-JA1	Dwg. No.	Notes for the models	Revision info.
501	R63 Y02 715	Terminal block		1	1	1	1	1	1	W834188H02	<TB02>	
502	R63 979 247	Terminal block		1	1	1	1	1	1	P436238X01	<TB01>	
503	R61 058 260	Transformer	240V/22.6V	1	1	1	1	1	1	KR65C465H01		
504	R61 527 280	Board assy	BC-M02	1	1	1	1	1	1	W266227G16		
505	R63 M80 280	Board assy	RELAY4-10			1			1	W629542G01		
506	R63 M82 280	Board assy	RELAY10-16				1	1		W629543G01		

**CMB-M104,M106,M108,M1012,M1016V-J1 CONTROL BOX PARTS**  
**CMB-M108,M1012,M1016V-JA1**  
**CMB-P1016V-KA1,CMB-M104,M108V-KB1**

No.	Part No.	Part Name	Spec.	CMB-M1012V-JA1	CMB-M1016V-JA1	CMB-P1016V-KA1	CMB-M104V-KB1	CMB-M108V-KB1	Dwg. No.	Notes for the models	Revision info.
501	R63 Y02 715	Terminal block		1	1	1	1	1	W834188H02	<TB02>	
502	R63 979 247	Terminal block		1	1	1	1	1	P436238X01	<TB01>	
503	R61 058 260	Transformer	240V/22.6V	1	1	1	1	1	KR65C465H01		
504	R61 527 280	Board assy	BC-M02	1	1	1	1	1	W266227G16		
505	R63 M80 280	Board assy	RELAY4-10					1	W629542G01		
506	R63 M82 280	Board assy	RELAY10-16	1	1	1			W629543G01		

**mitsubishi**  
**electric**  
**corporation**

---

BWE01913C (20230430)