

PUISSANCE ET PRESSION SONORE

PUISSANCE SONORE

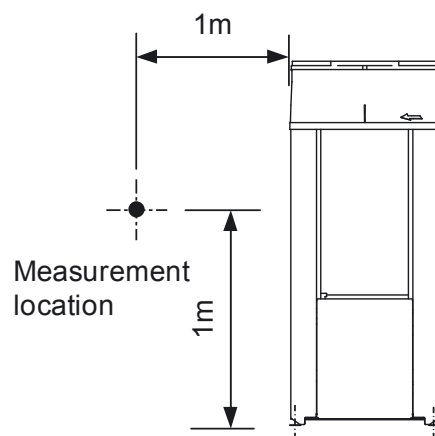
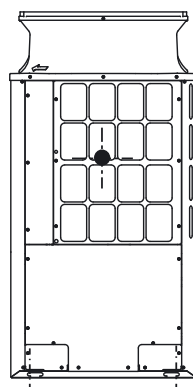
COOLING

Model	P200
63 Hz	77,0
125 Hz	75,0
250 Hz	73,5
500 Hz	72,0
1000 Hz	70,5
2000 Hz	67,0
4000 Hz	64,0
8000 Hz	59,5
PWL dB(A)	75,0

HEATING

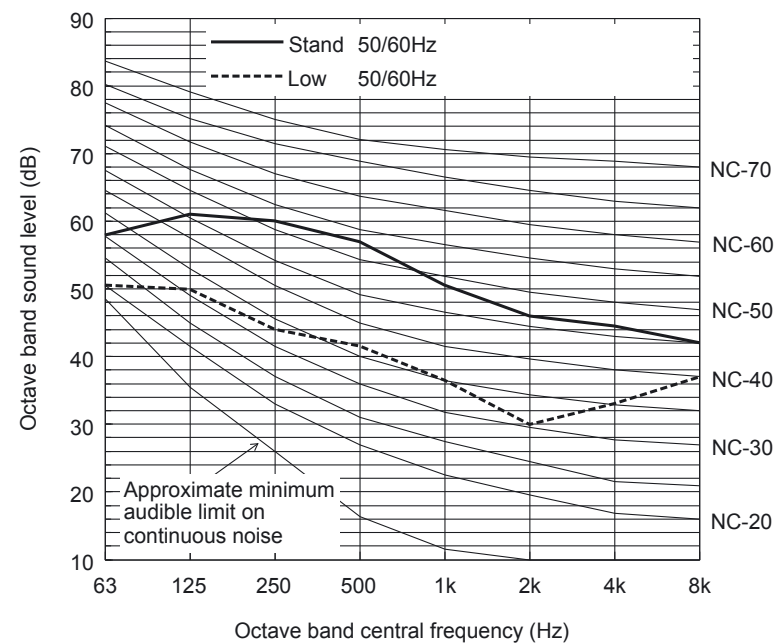
Model	P200
63 Hz	80,0
125 Hz	78,0
250 Hz	76,5
500 Hz	74,5
1000 Hz	73,0
2000 Hz	69,0
4000 Hz	69,5
8000 Hz	62,0
PWL dB(A)	78,0

MEASUREMENT CONDITION
PUHY-P200, 250, 300YNW-A(-BS)



PRESSION SONORE

SOUND LEVEL OF
PUHY-P200YNW-A(-BS)



		63	125	250	500	1k	2k	4k	8k	dB(A)
Standard	50/60Hz	58.0	61.0	60.0	57.0	50.5	46.0	44.5	42.0	58.0
Low noise mode	50/60Hz	50.5	50.0	44.0	41.5	36.5	30.0	33.0	37.0	44.0

When Low noise mode is set, the A/C system's capacity is limited. The system could return to normal operation from Low noise mode automatically in the case that the operation condition is severe.

PUISSANCE ET PRESSION SONORE

PUISSANCE SONORE

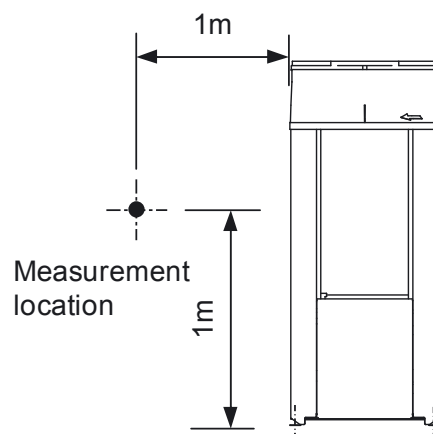
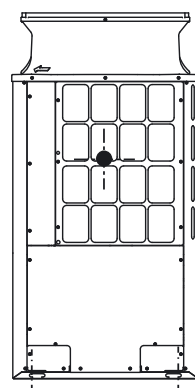
COOLING

Model	P250
63 Hz	78,5
125 Hz	77,5
250 Hz	76,0
500 Hz	74,5
1000 Hz	73,0
2000 Hz	70,0
4000 Hz	69,5
8000 Hz	61,0
PWL dB(A)	78,0

HEATING

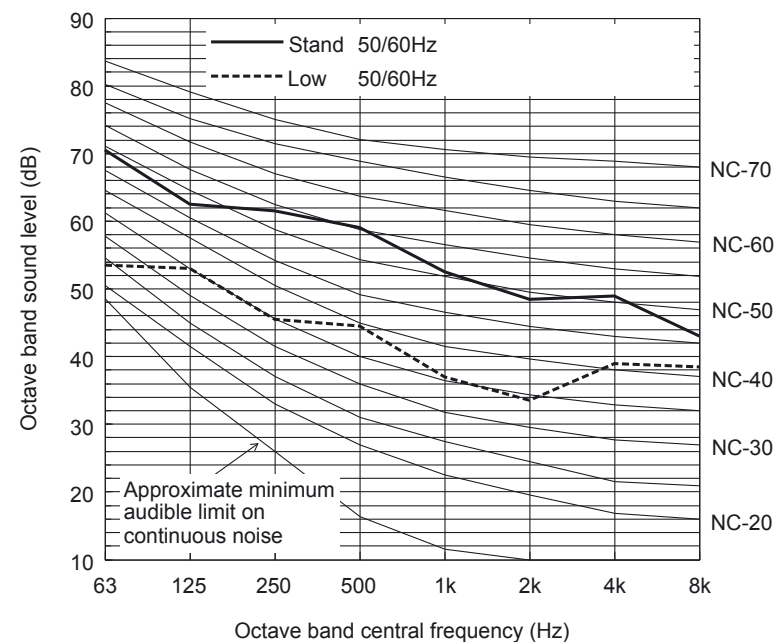
Model	P250
63 Hz	81,5
125 Hz	80,0
250 Hz	78,5
500 Hz	76,5
1000 Hz	75,0
2000 Hz	71,0
4000 Hz	72,0
8000 Hz	63,5
PWL dB(A)	80,0

MEASUREMENT CONDITION
PUHY-P200, 250, 300YNW-A(-BS)



PRESSION SONORE

SOUND LEVEL OF
PUHY-P250YNW-A(-BS)



		63	125	250	500	1k	2k	4k	8k	dB(A)
Standard	50/60Hz	70.5	62.5	61.5	59.0	52.5	48.5	49.0	43.0	60.0
Low noise mode	50/60Hz	53.5	53.0	45.5	44.5	37.0	33.5	39.0	38.5	46.5

When Low noise mode is set, the A/C system's capacity is limited. The system could return to normal operation from Low noise mode automatically in the case that the operation condition is severe.

PUISSANCE ET PRESSION SONORE

PUISSANCE SONORE

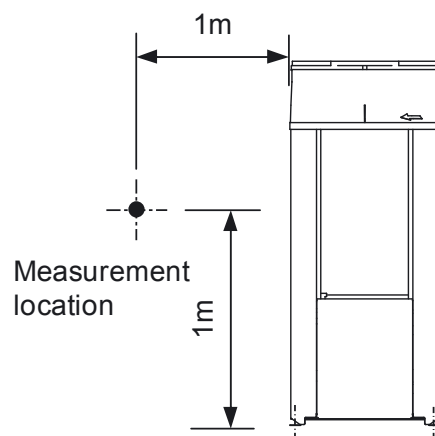
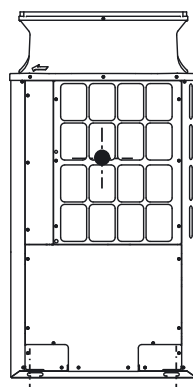
COOLING

Model	P300
63 Hz	79,5
125 Hz	78,5
250 Hz	77,5
500 Hz	77,0
1000 Hz	76,0
2000 Hz	72,5
4000 Hz	66,5
8000 Hz	59,5
PWL dB(A)	80,0

HEATING

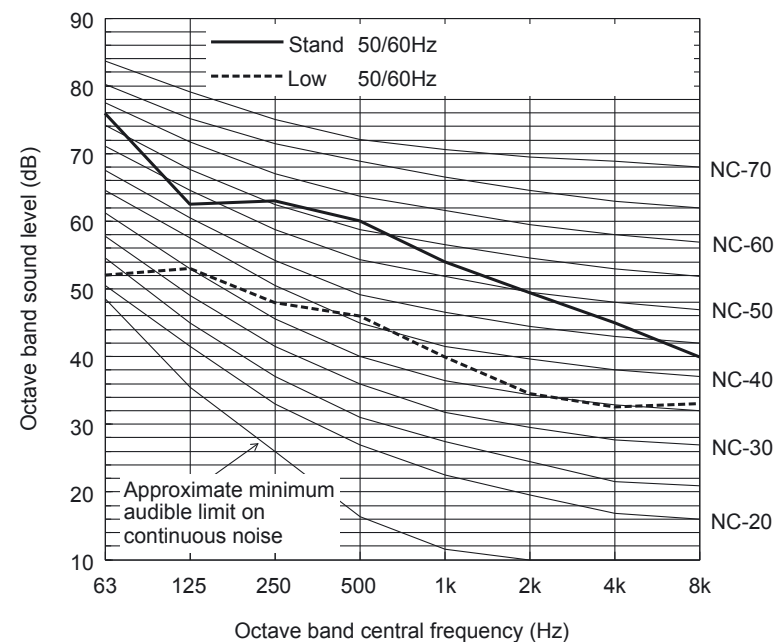
Model	P300
63 Hz	82,5
125 Hz	81,5
250 Hz	81,0
500 Hz	80,0
1000 Hz	79,5
2000 Hz	76,0
4000 Hz	72,5
8000 Hz	67,0
PWL dB(A)	83,5

MEASUREMENT CONDITION
PUHY-P200, 250, 300YNW-A(-BS)



PRESSION SONORE

SOUND LEVEL OF
PUHY-P300YNW-A(-BS)



		63	125	250	500	1k	2k	4k	8k	dB(A)
Standard	50/60Hz	76.0	62.5	63.0	60.0	54.0	49.5	45.0	40.0	61.0
Low noise mode	50/60Hz	52.0	53.0	48.0	46.0	40.0	34.5	32.5	33.0	47.0

When Low noise mode is set, the A/C system's capacity is limited. The system could return to normal operation from Low noise mode automatically in the case that the operation condition is severe.

PUISSANCE ET PRESSION SONORE

PUISSANCE SONORE

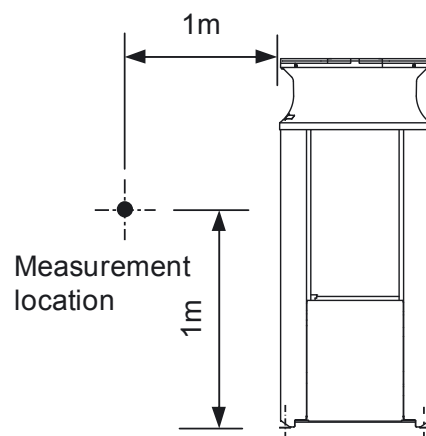
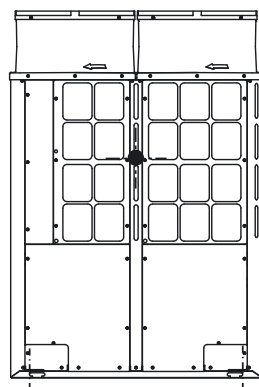
COOLING

Model	P350
63 Hz	78,5
125 Hz	78,0
250 Hz	77,5
500 Hz	77,0
1000 Hz	77,0
2000 Hz	73,0
4000 Hz	66,5
8000 Hz	58,0
PWL dB(A)	80,5

HEATING

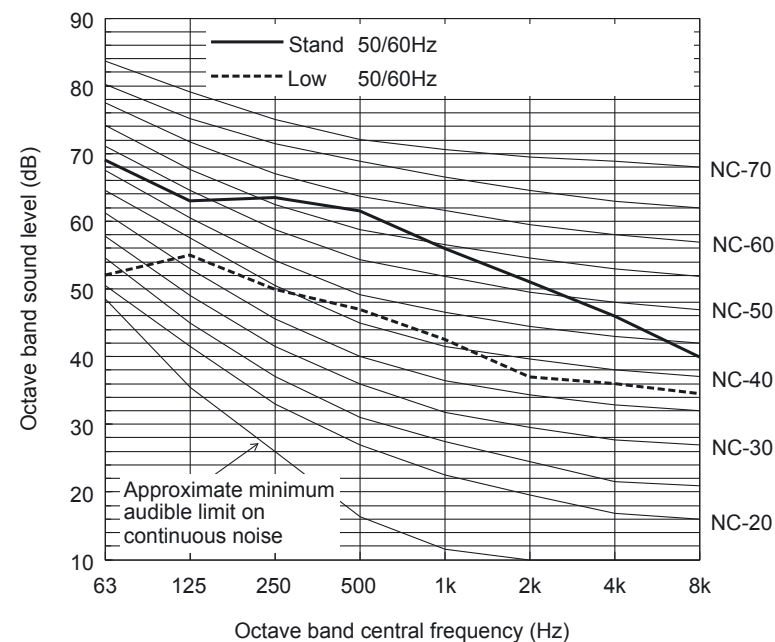
Model	P350
63 Hz	79,0
125 Hz	79,0
250 Hz	79,0
500 Hz	79,0
1000 Hz	79,0
2000 Hz	76,0
4000 Hz	72,5
8000 Hz	66,5
PWL dB(A)	83,0

MEASUREMENT CONDITION
PUHY-P350, 400, 450YNW-A(-BS)



PRESSION SONORE

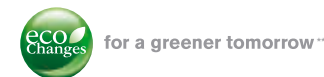
SOUND LEVEL OF
PUHY-P350YNW-A(-BS)



		63	125	250	500	1k	2k	4k	8k	dB(A)
Standard	50/60Hz	69.0	63.0	63.5	61.5	56.0	51.0	46.0	40.0	62.0
Low noise mode	50/60Hz	52.0	55.0	50.0	47.0	42.5	37.0	36.0	34.5	49.0

When Low noise mode is set, the A/C system's capacity is limited. The system could return to normal operation from Low noise mode automatically in the case that the operation condition is severe.

PUISSANCE ET PRESSION SONORE



PUISSANCE SONORE

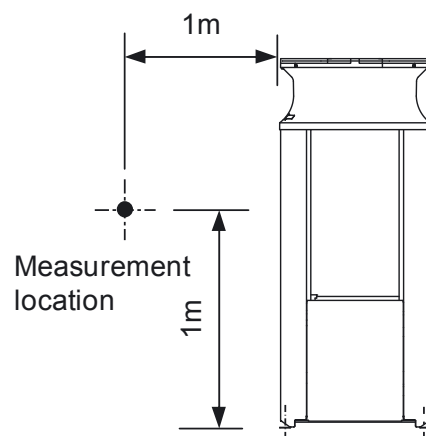
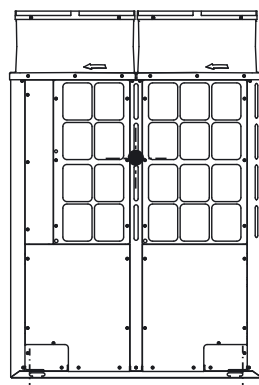
COOLING

Model	P400
63 Hz	80,5
125 Hz	80,0
250 Hz	79,5
500 Hz	79,0
1000 Hz	78,5
2000 Hz	75,5
4000 Hz	68,5
8000 Hz	63,0
PWL dB(A)	82,5

HEATING

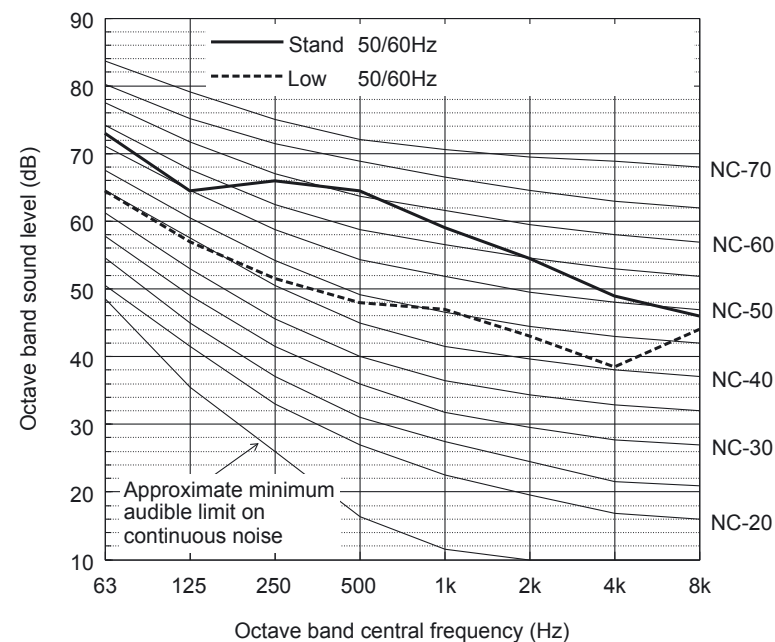
Model	P400
63 Hz	88,0
125 Hz	86,0
250 Hz	84,5
500 Hz	82,5
1000 Hz	80,5
2000 Hz	79,0
4000 Hz	75,0
8000 Hz	67,0
PWL dB(A)	86,0

MEASUREMENT CONDITION
PUHY-P350, 400, 450YNW-A(-BS)



PRESSION SONORE

SOUND LEVEL OF
PUHY-P400YNW-A(-BS)



		63	125	250	500	1k	2k	4k	8k	dB(A)
Standard	50/60Hz	73.0	64.5	66.0	64.5	59.0	54.5	49.0	46.0	65.0
Low noise mode	50/60Hz	64.5	57.0	51.5	48.0	47.0	43.0	38.5	44.0	52.5

When Low noise mode is set, the A/C system's capacity is limited. The system could return to normal operation from Low noise mode automatically in the case that the operation condition is severe.

PUISSANCE ET PRESSION SONORE

PUISSANCE SONORE

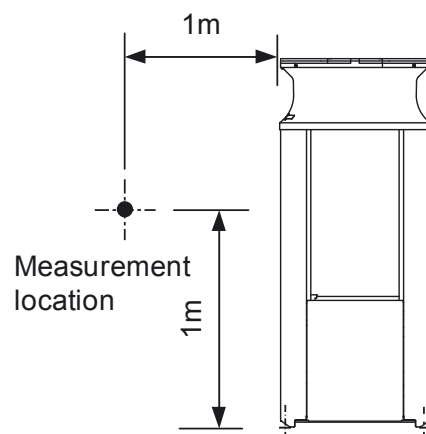
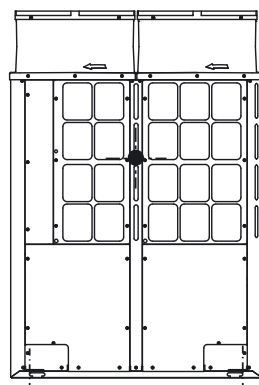
COOLING

Model	P450
63 Hz	81,0
125 Hz	81,0
250 Hz	80,5
500 Hz	80,0
1000 Hz	79,5
2000 Hz	76,5
4000 Hz	69,5
8000 Hz	62,5
PWL dB(A)	83,5

HEATING

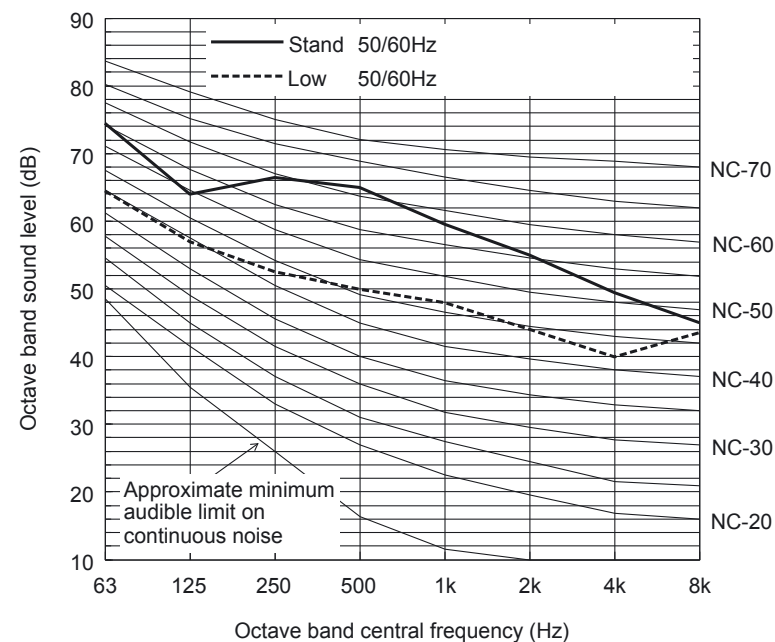
Model	P450
63 Hz	90,0
125 Hz	88,0
250 Hz	86,5
500 Hz	85,0
1000 Hz	83,5
2000 Hz	81,5
4000 Hz	78,5
8000 Hz	70,0
PWL dB(A)	88,5

MEASUREMENT CONDITION
PUHY-P350, 400, 450YNW-A(-BS)



PRESSION SONORE

SOUND LEVEL OF
PUHY-P450YNW-A(-BS)



		63	125	250	500	1k	2k	4k	8k	dB(A)
Standard	50/60Hz	74.5	64.0	66.5	65.0	59.5	55.0	49.5	45.0	65.5
Low noise mode	50/60Hz	64.5	57.0	52.5	50.0	48.0	44.0	40.0	43.5	53.5

When Low noise mode is set, the A/C system's capacity is limited. The system could return to normal operation from Low noise mode automatically in the case that the operation condition is severe.

PUISSANCE ET PRESSION SONORE

PUISSANCE SONORE

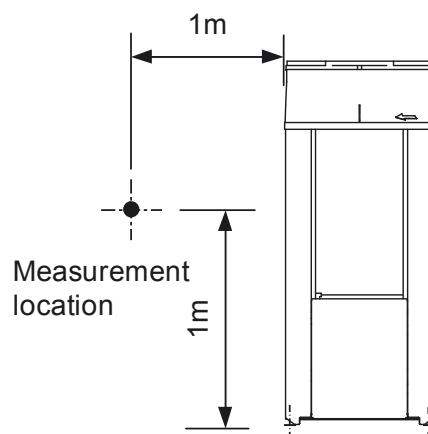
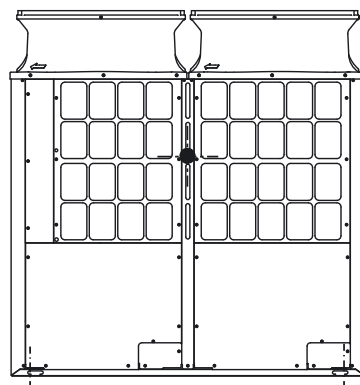
COOLING

Model	P500
63 Hz	80,0
125 Hz	79,5
250 Hz	79,0
500 Hz	78,0
1000 Hz	77,5
2000 Hz	75,5
4000 Hz	70,5
8000 Hz	62,0
PWL dB(A)	82,0

HEATING

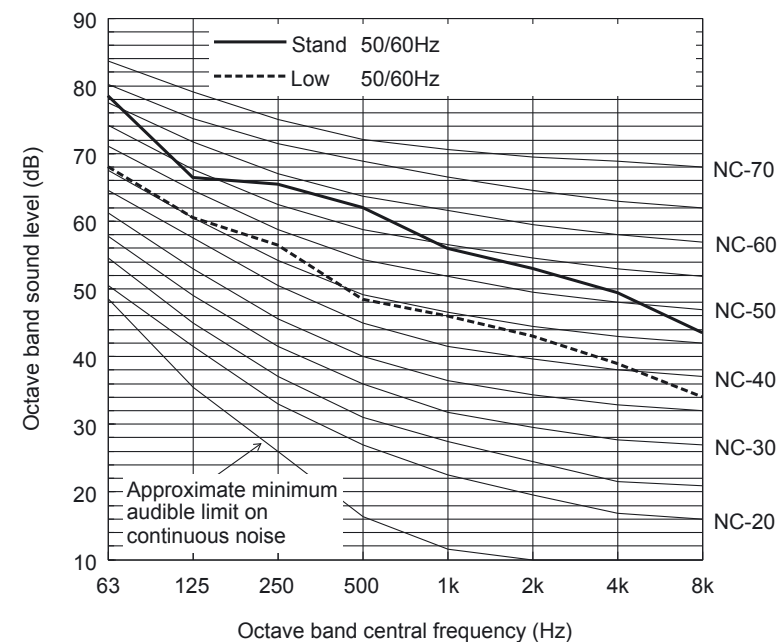
Model	P500
63 Hz	84,5
125 Hz	83,5
250 Hz	82,5
500 Hz	81,5
1000 Hz	80,5
2000 Hz	79,0
4000 Hz	75,5
8000 Hz	69,0
PWL dB(A)	85,5

MEASUREMENT CONDITION PUHY-P500YNW-A(-BS)



PRESSION SONORE

SOUND LEVEL OF PUHY-P500YNW-A(-BS)



		63	125	250	500	1k	2k	4k	8k	dB(A)
Standard	50/60Hz	78.5	66.5	65.5	62.0	56.0	53.0	49.5	43.5	63.5
Low noise mode	50/60Hz	68.0	60.5	56.5	48.5	46.0	43.0	39.0	34.0	53.5

When Low noise mode is set, the A/C system's capacity is limited. The system could return to normal operation from Low noise mode automatically in the case that the operation condition is severe.