

# PARTS CATALOG

**R32**
**No.OCB773  
REVISED EDITION-B**
**Outdoor unit  
[Model Name]**

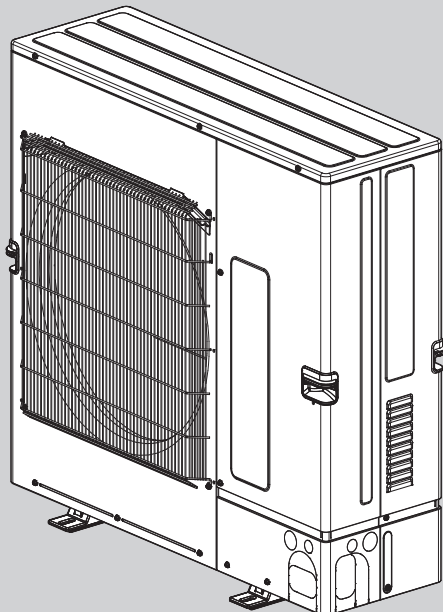
PUZ-M100VKA2  
 PUZ-M100VKA2-ET  
 PUZ-M100VKA2-ER  
 PUZ-M125VKA2  
 PUZ-M125VKA2-ET  
 PUZ-M125VKA2-ER  
 PUZ-M140VKA2  
 PUZ-M140VKA2-ET  
 PUZ-M140VKA2-ER  
 PUZ-M100YKA2  
 PUZ-M100YKA2-ET  
 PUZ-M100YKA2-ER  
 PUZ-M125YKA2  
 PUZ-M125YKA2-ET  
 PUZ-M125YKA2-ER  
 PUZ-M140YKA2  
 PUZ-M140YKA2-ET  
 PUZ-M140YKA2-ER

**[Service Ref.]**

PUZ-M100VKA2.TH  
 PUZ-M100VKA2-ET.TH  
 PUZ-M100VKA2-ER.TH  
 PUZ-M125VKA2.TH  
 PUZ-M125VKA2-ET.TH  
 PUZ-M125VKA2-ER.TH  
 PUZ-M140VKA2.TH  
 PUZ-M140VKA2-ET.TH  
 PUZ-M140VKA2-ER.TH  
 PUZ-M100YKA2.TH  
 PUZ-M100YKA2-ET.TH  
 PUZ-M100YKA2-ER.TH  
 PUZ-M125YKA2.TH  
 PUZ-M125YKA2-ET.TH  
 PUZ-M125YKA2-ER.TH  
 PUZ-M140YKA2.TH  
 PUZ-M140YKA2-ET.TH  
 PUZ-M140YKA2-ER.TH  
 PUZ-M100YKA2R1.TH  
 PUZ-M100YKA2-ETR1.TH  
 PUZ-M125YKA2R1.TH  
 PUZ-M125YKA2-ETR1.TH  
 PUZ-M140YKA2R1.TH  
 PUZ-M140YKA2-ETR1.TH

Revision:  
 • Parts catalog has been  
 updated in  
 REVISED EDITION-B.

OCB773A is void.


**CONTENTS**

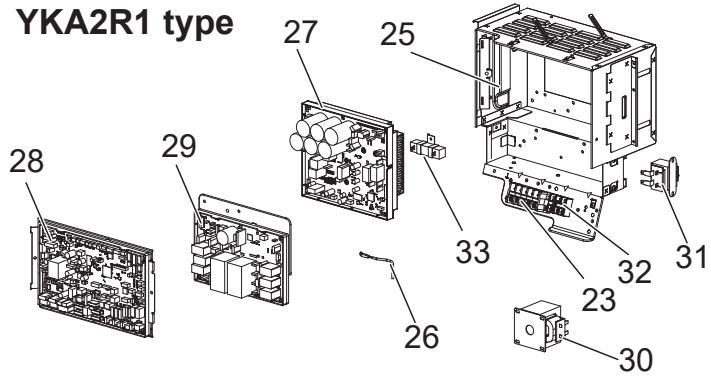
1. SERVICE PARTS LIST ..... 2

**SERVICE MANUAL (OCH773)**


**FUNCTIONAL AND ELECTRICAL PARTS**

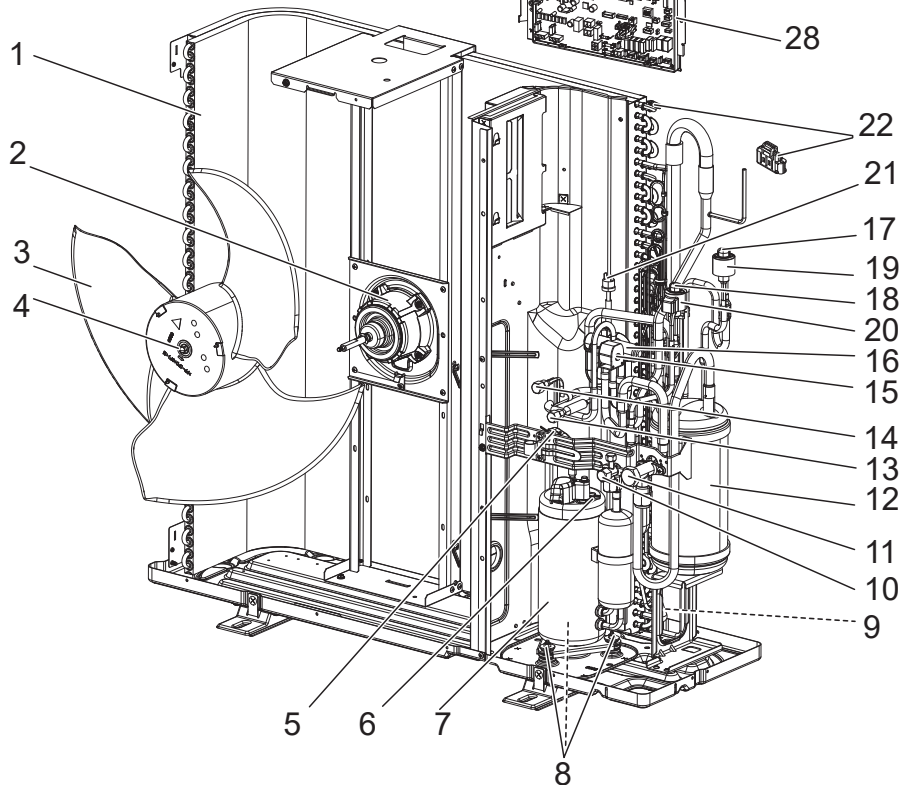
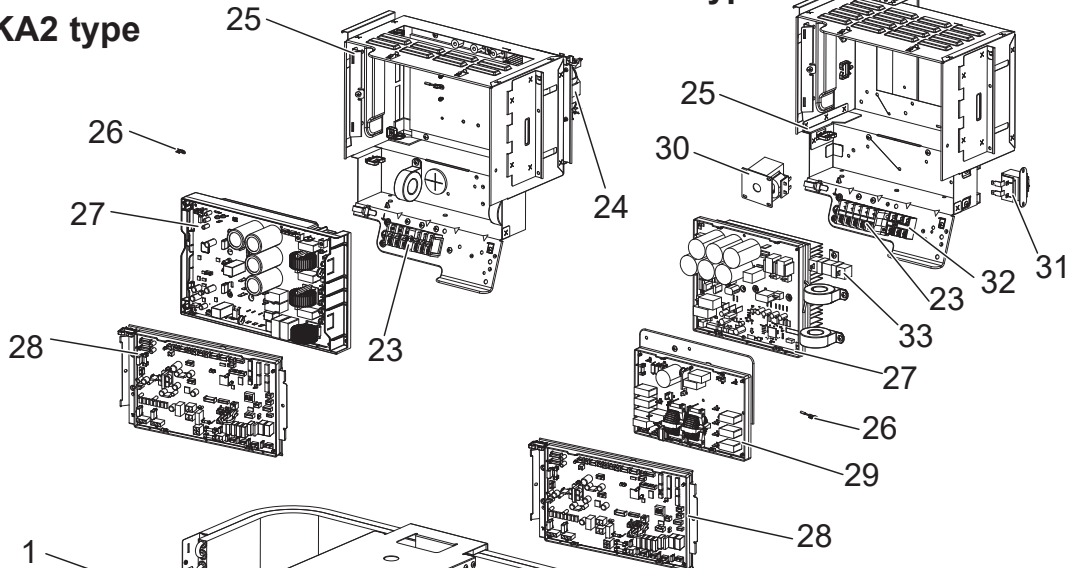
PUZ-M100VKA2.TH  
 PUZ-M100VKA2-ET.TH  
 PUZ-M100VKA2-ER.TH  
 PUZ-M100YKA2.TH  
 PUZ-M100YKA2-ET.TH  
 PUZ-M100YKA2-ER.TH  
 PUZ-M100YKA2R1.TH  
 PUZ-M100YKA2-ETR1.TH

**YKA2R1 type**



**YKA2 type**

**VKA2 type**



1. The part quantity below indicates the required number of pieces per unit.
2. The circled No. indicates that the part is not shown in the figure

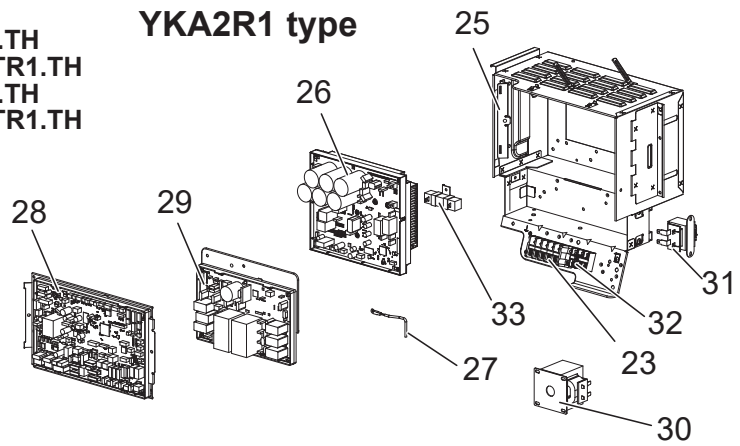
No.	Part No.	Part Name	PUZ-M100YKA2.TH	PUZ-M100YKA2-ET.TH	PUZ-M100YKA2-ER.TH	PUZ-M100YKA2.TH	PUZ-M100YKA2-ET.TH	PUZ-M100YKA2-ER.TH	PUZ-M100YKA2R1.TH	PUZ-M100YKA2-ETR1.TH	Wiring Diagram Symbol	Remarks [Drawing No.]
1	E 27 J 26 630	OUTDOOR HEAT EXCHANGER	1	1	1	1	1	1	1	1		
2	E 27 F 03 301	OUTDOOR FAN MOTOR	1	1	1	1	1	1	1	1	MF1	
3	E 27 942 501	PROPELLER FAN	1	1	1	1	1	1	1	1		
4	E 27 A 15 508	PROPELLER FAN NUT	1	1	1	1	1	1	1	1		
5	E 27 E 34 307	THERMISTOR	1	1	1	1	1	1	1	1	TH4	
6	E 27 E 33 307	THERMISTOR	1	1	1	1	1	1	1	1	TH33	
7	E 27 60W 900	COMPRESSOR SVB220FBGMT	1	1	1						MC	
7	E 27 63W 900	COMPRESSOR SVB220FBAMT				1	1	1	1	1	MC	
8	E 22 C 34 506	COMPRESSOR RUBBER MOUNT	3	3	3	3	3	3	3	3		3pcs/set
9	E 27 944 307	THERMISTOR	1	1	1	1	1	1	1	1	TH3	
10	E 27 942 661	STOP VALVE 3/8F	1	1	1	1	1	1	1	1		
11	E 27 E 33 661	STOP VALVE 5/8F	1	1	1	1	1	1	1	1		
12	E 27 M 96 959	POWER RECEIVER	1	1	1	1	1	1	1	1		
13	E 27 942 641	CHARGE PLUG	1	1	1	1	1	1	1	1		High pressure side
14	E 27 943 641	CHARGE PLUG	1	1	1	1	1	1	1	1		Low pressure side
15	E 27 P 05 490	R.V. COIL	1	1	1	1	1	1	1	1	21S4	
16	E 22 J 61 961	4-WAY VALVE	1	1	1	1	1	1	1	1		
17	E 27 M 96 645	EXPANSION VALVE ASSY A	1	1	1	1	1	1	1	1		Includes LEV-A (body, coil)
18	E 27 M 97 645	EXPANSION VALVE ASSY B	1	1	1	1	1	1	1	1		Includes LEV-B (body, coil)
19	E 27 J 26 493	LINEAR EXPANSION VALVE COIL	1	1	1	1	1	1	1	1	LEV-A	WH
20	E 27 J 27 493	LINEAR EXPANSION VALVE COIL	1	1	1	1	1	1	1	1	LEV-B	RD
21	E 27 942 646	HIGH PRESSURE SWITCH	1	1	1	1	1	1	1	1	63H	
22	E 27 J 26 307	THERMISTOR-W	1	1	1	1	1	1	1	1	TH6, TH7	
23	E 27 E 45 374	TERMINAL BLOCK	1	1	1							
23	E 27 943 374	TERMINAL BLOCK				1	1	1	1	1		TB1
24	E 27 J 26 337	REACTOR	1	1	1							DCL
25	—	ELECTRICAL PARTS BOX	1	1	1							[BK00N051G55]
25	—	ELECTRICAL PARTS BOX				1	1	1				[BK00N051G69]
25	—	ELECTRICAL PARTS BOX							1	1		[VK00B148G06]
26	E 27 E 45 307	THERMISTOR	1	1	1						TH8	
26	E 27 E 35 307	THERMISTOR				1	1	1			TH8	
26	E 27 50W 307	THERMISTOR							1	1	TH8	
27	E 27 W 87 440	POWER BOARD	1	1	1							P.B.
27	E 27 74F 440	POWER BOARD				1	1	1				P.B.
27	E 27 0A5 440	POWER BOARD							1	1		P.B.
28	E 27 92U 450	OUTDOOR CONTROLLER P.C. BOARD	1	1	1	1	1	1				C.B.
28	E 27 0A5 450	OUTDOOR CONTROLLER P.C. BOARD							1	1		C.B.
29	E 27 H 96 444	NOISE FILTER P.C. BOARD				1	1	1				N.F.
29	E 27 49Y 444	NOISE FILTER P.C. BOARD							1	1		N.F.
30	E 27 74F 337	REACTOR				1	1	1				DCL
30	E 27 943 337	REACTOR							1	1		DCL
31	E 27 75F 337	REACTOR				1	1	1				ACL4
31	E 27 A 16 337	REACTOR							1	1		ACL4
32	E 22 C 92 375	TERMINAL BLOCK				1	1	1	1	1		TB2
33	E 27 E 33 360	RESISTOR				1	1	1	1	1		RS
34	E 27 74F 382	FUSE (T10 AL 250 V)	2	2	2	2	2	2	2	2		F1, F2
35	E 27 648 382	FUSE (T6.3 AL 250 V)	2	2	2	2	2	2	2	2		F3, F4
36	E 27 46Y 241	SENSOR HOLDER	1	1	1	1	1	1	1	1		
37	—	BOARD CASE POWER	1	1	1							[RK00C783G02]
37	—	BOARD CASE POWER				1	1	1				[BK25N048G03]
37	—	BOARD CASE POWER							1	1		[VK25A155G02]
38	—	BOARD CASE CONT	1	1	1	1	1	1	1	1		[RK25N611G01]
39	—	BOARD CASE NF				1	1	1	1	1		[BK25N049G04]
40	—	HEAT SINK	1	1	1							[RK11N856H02]
40	—	HEAT SINK				1	1	1				[BT11B314H01]
40	—	HEAT SINK							1	1		[RK11V505H01]
41	—	LEAD ASSY COMP	1	1	1							[RG78F385G03]
41	—	LEAD ASSY COMP				1	1	1				[RG78F200G01]
41	—	LEAD ASSY COMP							1	1		[VM78D638G01]
42	—	COMP FELT (TOP)	1	1	1	1	1	1	1	1		[RK33G130H03]
43	—	COMP FELT (BODY)	1	1	1	1	1	1	1	1		[RK33B247H04]
44	E 27 L 67 530	HEX TOP CUSHION SET	1	1	1	1	1	1	1	1		

# FUNCTIONAL AND ELECTRICAL PARTS

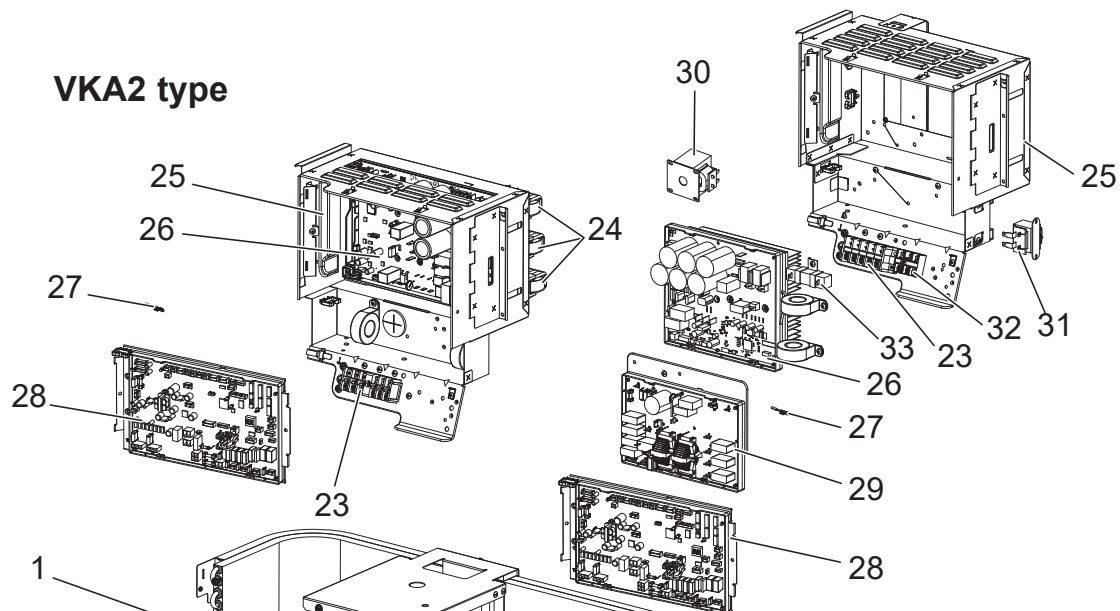
PUZ-M125VKA2.TH  
 PUZ-M125VKA2-ET.TH  
 PUZ-M125VKA2-ER.TH  
 PUZ-M140VKA2.TH  
 PUZ-M140VKA2-ET.TH  
 PUZ-M140VKA2-ER.TH  
 PUZ-M125YKA2.TH  
 PUZ-M125YKA2-ET.TH  
 PUZ-M125YKA2-ER.TH  
 PUZ-M140YKA2.TH  
 PUZ-M140YKA2-ET.TH  
 PUZ-M140YKA2-ER.TH

PUZ-M125YKA2R1.TH  
 PUZ-M125YKA2-ETR1.TH  
 PUZ-M140YKA2R1.TH  
 PUZ-M140YKA2-ETR1.TH

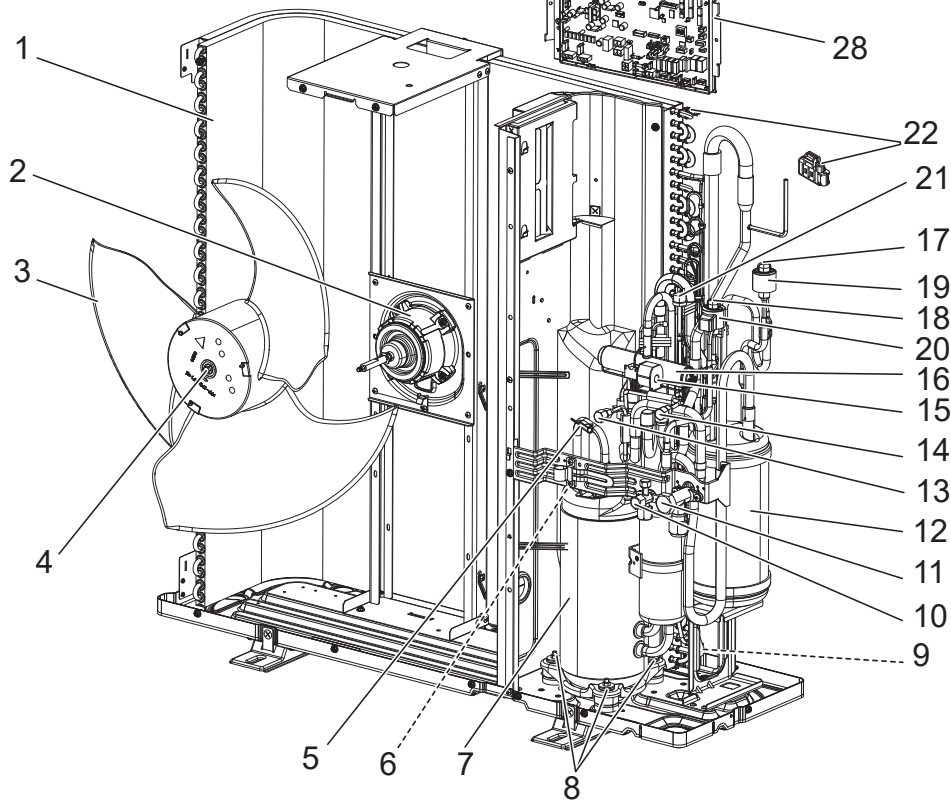
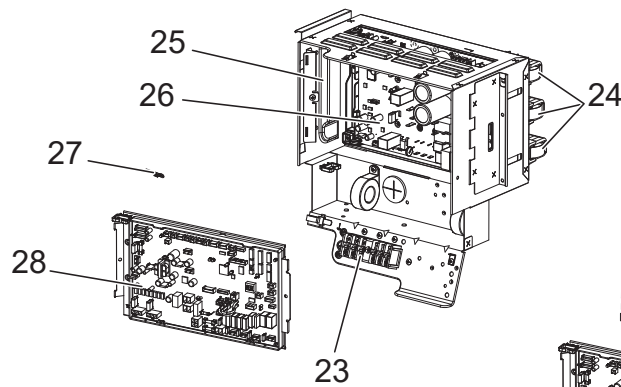
## YKA2R1 type



## YKA2 type



## VKA2 type



1. The part quantity below indicates the required number of pieces per unit.
2. The circled No. indicates that the part is not shown in the figure

No.	Part No.	Part Name	PUZ-M125YK/A2.TH	PUZ-M125YK/A2-ET.TH	PUZ-M125YK/A2-ER.TH	PUZ-M140YK/A2.TH	PUZ-M140YK/A2-ET.TH	PUZ-M140YK/A2-ER.TH	PUZ-M125YK/A2.TH	PUZ-M125YK/A2-ET.TH	PUZ-M125YK/A2-ER.TH	PUZ-M140YK/A2.TH	PUZ-M140YK/A2-ET.TH	PUZ-M140YK/A2-ER.TH	PUZ-M125YK/A2R1.TH	PUZ-M140YK/A2R1.TH	Wiring Diagram Symbol	Remarks [Drawing No.]
			1	1	1	1	1	1	1	1	1	1	1	1	1	1		
1	E 27 J 26 630	OUTDOOR HEAT EXCHANGER	1	1	1	1	1	1	1	1	1	1	1	1	1	1		
2	E 27 F 03 301	OUTDOOR FAN MOTOR	1	1	1	1	1	1	1	1	1	1	1	1	1	1	MF1	
3	E 27 942 501	PROPELLER FAN	1	1	1	1	1	1	1	1	1	1	1	1	1	1		
4	E 27 A 15 508	PROPELLER FAN NUT	1	1	1	1	1	1	1	1	1	1	1	1	1	1		
5	E 27 E 34 307	THERMISTOR	1	1	1	1	1	1	1	1	1	1	1	1	1	1	TH4	
6	E 27 E 33 307	THERMISTOR	1	1	1	1	1	1	1	1	1	1	1	1	1	1	TH33	
7	E 27 M 97 900	COMPRESSOR MVB33FBVMC	1	1	1	1	1	1	1	1	1	1	1	1	1	1	MC	
8	E 22 267 506	COMPRESSOR RUBBER MOUNT	3	3	3	3	3	3	3	3	3	3	3	3	3	3		3pcs/set
9	E 27 944 307	THERMISTOR	1	1	1	1	1	1	1	1	1	1	1	1	1	1	TH3	
10	E 27 942 661	STOP VALVE 3/8F	1	1	1	1	1	1	1	1	1	1	1	1	1	1		
11	E 27 E 33 661	STOP VALVE 5/8F	1	1	1	1	1	1	1	1	1	1	1	1	1	1		
12	E 27 M 96 959	POWER RECEIVER	1	1	1	1	1	1	1	1	1	1	1	1	1	1		
13	E 27 942 641	CHARGE PLUG	2	2	2	2	2	2	2	2	2	2	2	2	2	2		High/low pressure side
14	E 27 942 641	CHARGE PLUG	1	1	1	1	1	1	1	1	1	1	1	1	1	1		Low pressure side
15	E 27 P 05 490	R.V. COIL	1	1	1	1	1	1	1	1	1	1	1	1	1	1	21S4	
16	E 27 M 97 961	4-WAY VALVE	1	1	1	1	1	1	1	1	1	1	1	1	1	1		
17	E 27 M 96 645	EXPANSION VALVE ASSY A	1	1	1	1	1	1	1	1	1	1	1	1	1	1		Includes LEV-A (body, coil)
18	E 27 M 97 645	EXPANSION VALVE ASSY B	1	1	1	1	1	1	1	1	1	1	1	1	1	1		Includes LEV-B (body, coil)
19	E 27 J 26 493	LINEAR EXPANSION VALVE COIL	1	1	1	1	1	1	1	1	1	1	1	1	1	1	LEV-A	WH
20	E 27 J 27 493	LINEAR EXPANSION VALVE COIL	1	1	1	1	1	1	1	1	1	1	1	1	1	1	LEV-B	RD
21	E 27 942 646	HIGH PRESSURE SWITCH	1	1	1	1	1	1	1	1	1	1	1	1	1	1	63H	
22	E 27 J 26 307	THERMISTOR-W	1	1	1	1	1	1	1	1	1	1	1	1	1	1	TH6, TH7	
23	E 27 E 45 374	TERMINAL BLOCK	1	1	1	1	1	1									TB1	
23	E 27 943 374	TERMINAL BLOCK							1	1	1	1	1	1	1	1	TB1	
24	E 27 E 45 337	REACTOR	3	3	3	3	3	3									DCL1, DCL2, DCL3	
25	—	ELECTRICAL PARTS BOX	1	1	1	1	1	1										[BK00N051G56]
25	—	ELECTRICAL PARTS BOX							1	1	1	1	1	1				[BK00N051G69]
25	—	ELECTRICAL PARTS BOX													1	1	1	[VK00B148G06]
26	E 27 W 88 440	POWER BOARD	1	1	1	1	1	1									P.B.	
26	E 27 75 F 440	POWER BOARD							1	1	1	1	1	1			P.B.	
26	E 27 0 A 6 440	POWER BOARD													1	1	1	P.B.
27	E 27 E 45 307	THERMISTOR	1	1	1	1	1	1									TH8	
27	E 27 E 35 307	THERMISTOR							1	1	1	1	1	1			TH8	
27	E 27 50 W 307	THERMISTOR													1	1	1	TH8
28	E 27 92 U 450	OUTDOOR CONTROLLER P.C. BOARD	1	1	1	1	1	1	1	1	1	1	1	1			C.B.	
28	E 27 0 A 5 450	OUTDOOR CONTROLLER P.C. BOARD													1	1	1	C.B.
29	E 27 H 96 444	NOISE FILTER P.C. BOARD							1	1	1	1	1	1			N.F.	
29	E 27 49 Y 444	NOISE FILTER P.C. BOARD													1	1	1	N.F.
30	E 27 74 F 337	REACTOR							1	1	1	1	1	1			DCL	
30	E 27 943 337	REACTOR													1	1	1	DCL
31	E 27 75 F 337	REACTOR							1	1	1	1	1	1			ACL4	
31	E 27 A 16 337	REACTOR													1	1	1	ACL4
32	E 22 C 92 375	TERMINAL BLOCK							1	1	1	1	1	1	1	1	TB2	
33	E 27 E 33 360	RESISTOR							1	1	1	1	1	1	1	1	RS	
34	E 27 74 F 382	FUSE (T10 AL 250 V)	2	2	2	2	2	2	2	2	2	2	2	2	2	2	F1, F2	
35	E 27 648 382	FUSE (T6.3 AL 250 V)	2	2	2	2	2	2	2	2	2	2	2	2	2	2	F3, F4	
36	E 27 46 Y 241	SENSOR HOLDER	1	1	1	1	1	1	1	1	1	1	1	1	1	1		
37	—	BOARD CASE POWER	1	1	1	1	1	1										[RK00C783G02]
37	—	BOARD CASE POWER							1	1	1	1	1	1				[BK25N048G03]
37	—	BOARD CASE POWER													1	1	1	[VK25A155G02]
38	—	BOARD CASE CONT	1	1	1	1	1	1	1	1	1	1	1	1	1	1		[RK25N611G01]
39	—	BOARD CASE NF							1	1	1	1	1	1	1	1		[BK25N049G04]
40	—	HEAT SINK	1	1	1	1	1	1										[RK11N856H02]
40	—	HEAT SINK							1	1	1	1	1	1				[BT11B314H01]
40	—	HEAT SINK													1	1	1	[RK11V505H01]
41	—	LEAD ASSY COMP	1	1	1	1	1	1										[RG78F208G01]
41	—	LEAD ASSY COMP							1	1	1	1	1	1				[RG78F122G04]
41	—	LEAD ASSY COMP													1	1	1	[VM78D639G01]
42	—	COMP FELT (TOP)	1	1	1	1	1	1	1	1	1	1	1	1	1	1		[RK33G131H03]
43	—	COMP FELT (BODY)	1	1	1	1	1	1	1	1	1	1	1	1	1	1		[RK33B248H02]
44	E 27 L 67 530	HEX TOP CUSHION SET	1	1	1	1	1	1	1	1	1	1	1	1	1	1		

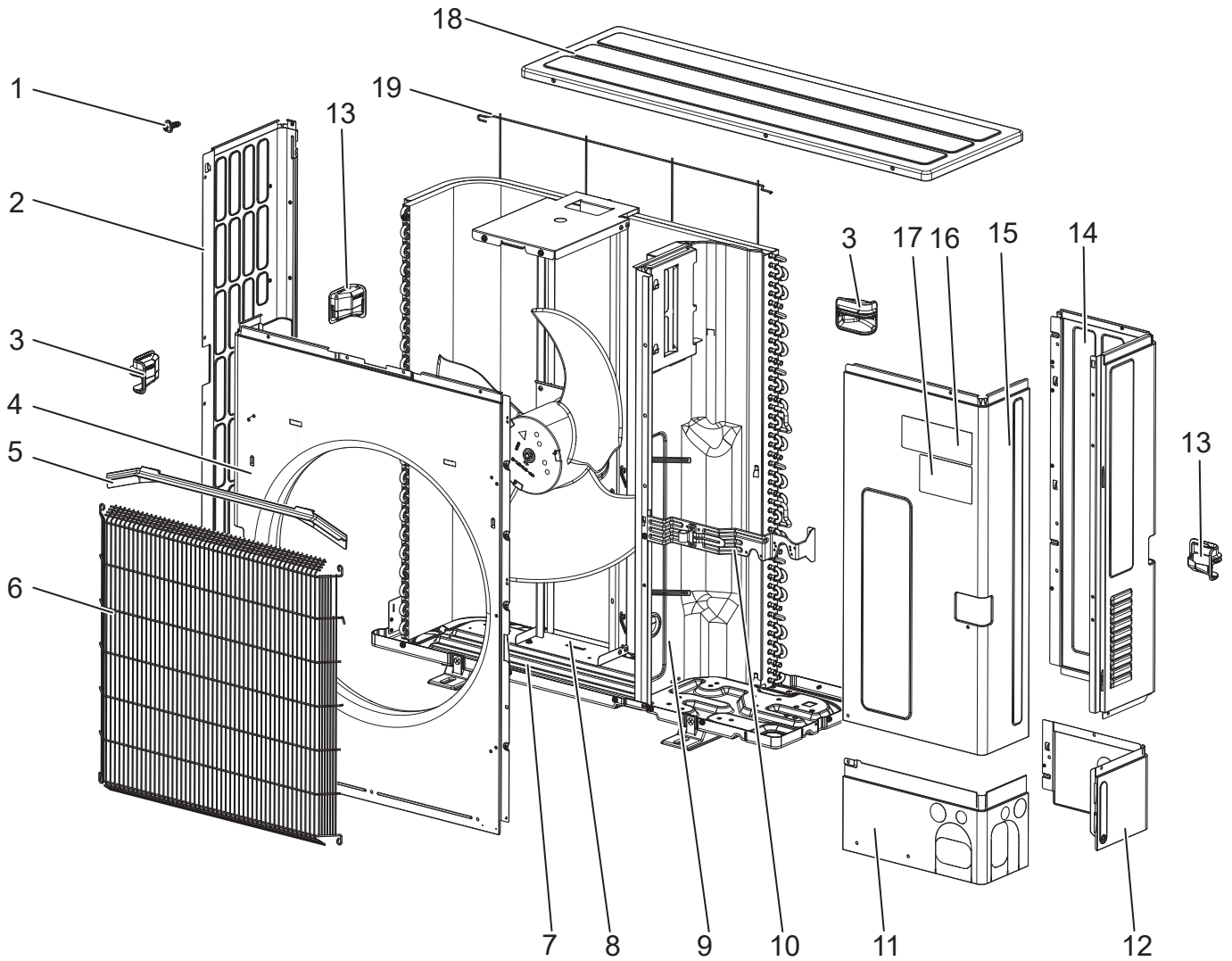


## STRUCTURAL PARTS

PUZ-M100VKA2.TH  
 PUZ-M125VKA2.TH  
 PUZ-M140VKA2.TH  
 PUZ-M100YKA2.TH  
 PUZ-M125YKA2.TH  
 PUZ-M140YKA2.TH  
 PUZ-M100YKA2R1.TH  
 PUZ-M125YKA2R1.TH  
 PUZ-M140YKA2R1.TH

PUZ-M100VKA2-ET.TH  
 PUZ-M125VKA2-ET.TH  
 PUZ-M140VKA2-ET.TH  
 PUZ-M100YKA2-ET.TH  
 PUZ-M125YKA2-ET.TH  
 PUZ-M140YKA2-ET.TH  
 PUZ-M100YKA2-ETR1.TH  
 PUZ-M125YKA2-ETR1.TH  
 PUZ-M140YKA2-ETR1.TH

PUZ-M100VKA2-ER.TH  
 PUZ-M125VKA2-ER.TH  
 PUZ-M140VKA2-ER.TH  
 PUZ-M100YKA2-ER.TH  
 PUZ-M125YKA2-ER.TH  
 PUZ-M140YKA2-ER.TH



1. The part quantity below indicates the required number of pieces per unit.
2. The circled No. indicates that the part is not shown in the figure

No.	Parts No.	Parts Name																					Remarks [Drawing No.]							
			PUZ-M100VK A2.TH	PUZ-M100VK A2-ET.TH	PUZ-M100VK A2-ER.TH	PUZ-M125VK A2.TH	PUZ-M125VK A2-ET.TH	PUZ-M125VK A2-ER.TH	PUZ-M140VK A2.TH	PUZ-M140VK A2-ET.TH	PUZ-M140VK A2-ER.TH	PUZ-M100YK A2.TH	PUZ-M100YK A2-ET.TH	PUZ-M100YK A2-ER.TH	PUZ-M125YK A2.TH	PUZ-M125YK A2-ET.TH	PUZ-M125YK A2-ER.TH	PUZ-M140YK A2.TH	PUZ-M140YK A2-ET.TH	PUZ-M140YK A2-ER.TH	PUZ-M100YK A2R1.TH	PUZ-M125YK A2R1.TH		PUZ-M125YK A2-ETR1.TH	PUZ-M140YK A2R1.TH	PUZ-M140YK A2-ETR1.TH				
1	E27 N04 250	F.ST SCREW	40	40	40	40	40	40	40	40	40	40	40	40	40	40	40	40	40	40	40	40	40	40	40	40	40	40		
2	E27 E33 086	SIDE PANEL (L)	1	1	1	1	1	1	1	1	1	1	1	1	1	1	1	1	1	1	1	1	1	1	1	1	1	1		
3	E27 942 009	HANDLE (FRONT)	2	2	2	2	2	2	2	2	2	2	2	2	2	2	2	2	2	2	2	2	2	2	2	2	2	2	1	
4	E27 H93 232	FRONT PANEL	1	1	1	1	1	1	1	1	1	1	1	1	1	1	1	1	1	1	1	1	1	1	1	1	1	1	1	
5	E27 A15 531	ICE GUARD	1	1	1	1	1	1	1	1	1	1	1	1	1	1	1	1	1	1	1	1	1	1	1	1	1	1	1	
6	E27 H93 521	WIRE GRILLE	1	1	1	1	1	1	1	1	1	1	1	1	1	1	1	1	1	1	1	1	1	1	1	1	1	1	1	
7	E27 J26 290	BASE	1	1	1								1	1	1										1	1				
7	E27 E33 290	BASE				1	1	1	1	1	1					1	1	1	1	1	1					1	1	1	1	
8	E27 J26 515	MOTOR SUPPORT	1	1	1	1	1	1	1	1	1	1	1	1	1	1	1	1	1	1	1	1	1	1	1	1	1	1	1	
9	E27 E33 293	SEPARATOR	1	1	1	1	1	1	1	1	1	1	1	1	1	1	1	1	1	1	1	1	1	1	1	1	1	1	1	
10	—	VALVE BED	1	1	1	1	1	1	1	1	1	1	1	1	1	1	1	1	1	1	1	1	1	1	1	1	1	1	1	[RK00B378G03]
11	E27 E33 006	COVER PANEL (FRONT)	1	1	1	1	1	1	1	1	1	1	1	1	1	1	1	1	1	1	1	1	1	1	1	1	1	1	1	
12	E27 J26 006	COVER PANEL (REAR)	1	1	1	1	1	1	1	1	1	1	1	1	1	1	1	1	1	1	1	1	1	1	1	1	1	1	1	
13	E27 943 009	HANDLE (REAR)	2	2	2	2	2	2	2	2	2	2	2	2	2	2	2	2	2	2	2	2	2	2	2	2	2	2	2	
14	E27 J26 085	SIDE PANEL (R)	1	1	1								1	1	1										1	1				
14	E27 M97 085	SIDE PANEL (R)				1	1	1	1	1	1					1	1	1	1	1	1					1	1	1	1	
15	E27 J26 245	SERVICE PANEL	1	1	1								1	1	1										1	1				
15	E27 M97 245	SERVICE PANEL				1	1	1	1	1	1						1	1	1	1	1	1	1				1	1	1	1
16	—	BRAND LABEL	1	1	1	1	1	1	1	1	1	1	1	1	1	1	1	1	1	1	1	1	1	1	1	1	1	1	1	[BT79L338H01]
17	—	BRAND LABEL	1	1	1	1	1	1	1	1	1	1	1	1	1	1	1	1	1	1	1	1	1	1	1	1	1	1	1	[BT79L209H01]
18	E27 E33 297	TOP PANEL	1	1	1	1	1	1	1	1	1	1	1	1	1	1	1	1	1	1	1	1	1	1	1	1	1	1	1	
19	E27 E33 523	REAR GUARD	1	1	1	1	1	1	1	1	1	1	1	1	1	1	1	1	1	1	1	1	1	1	1	1	1	1	1	

**Mr. SLIM**

**mitsubishi electric corporation**

HEAD OFFICE: TOKYO BUILDING, 2-7-3, MARUNOUCHI, CHIYODA-KU, TOKYO 100-8310, JAPAN