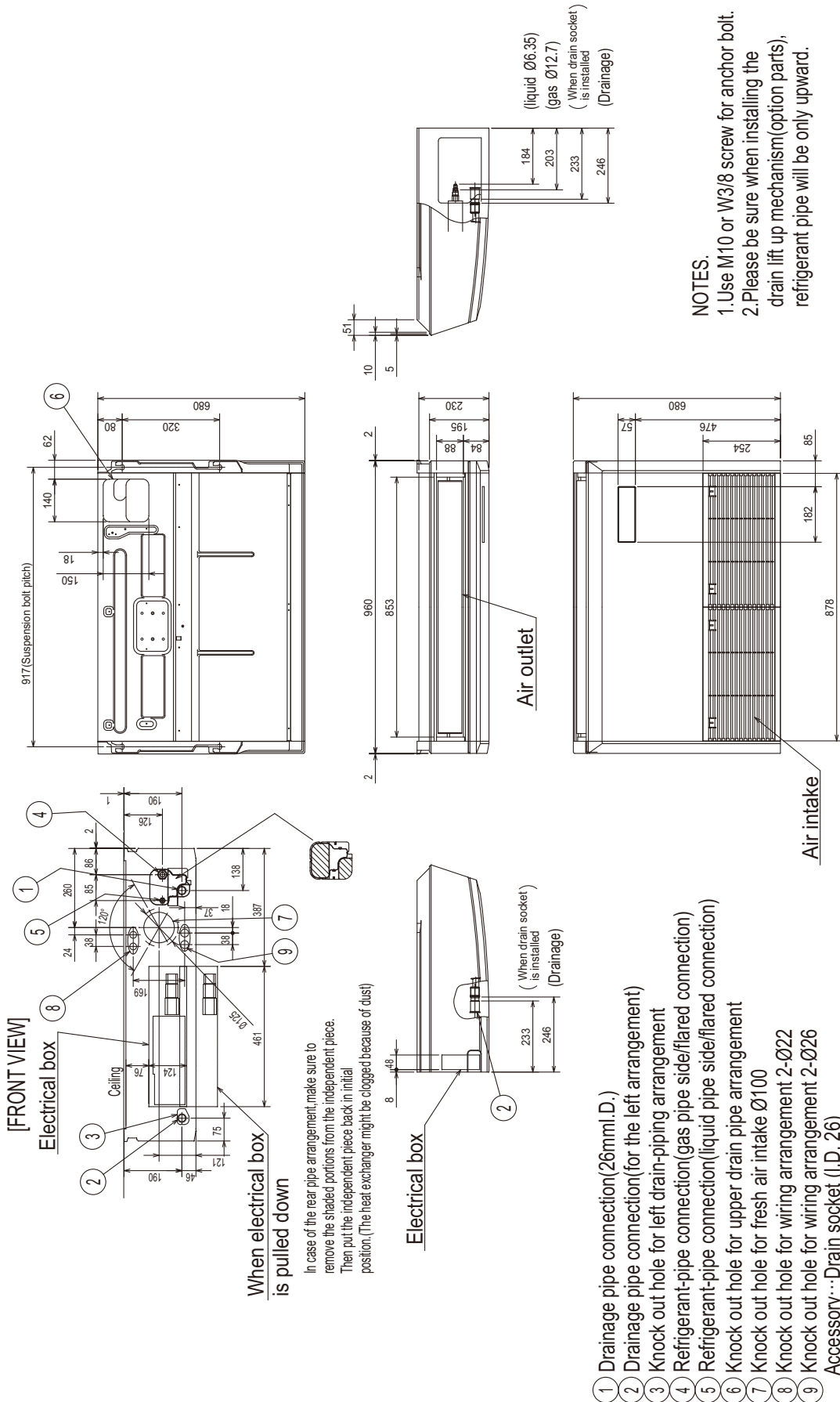


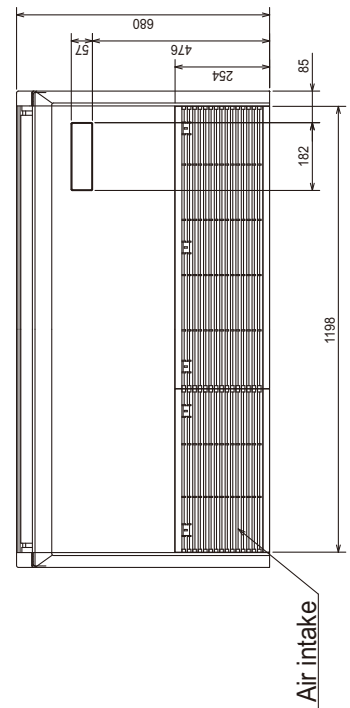
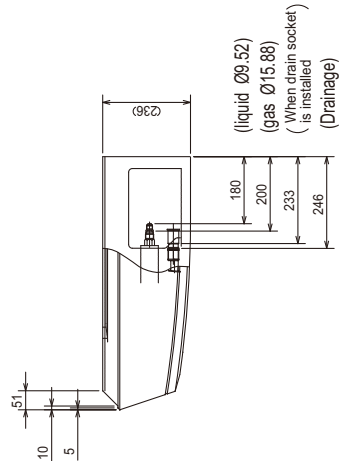
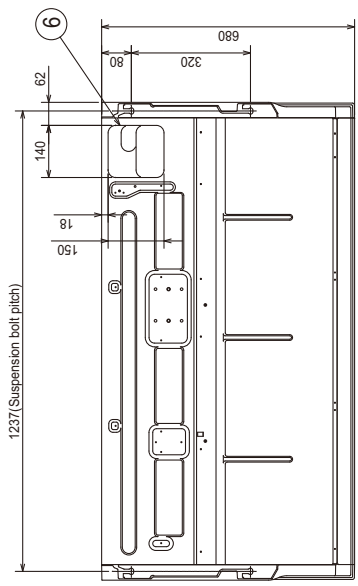
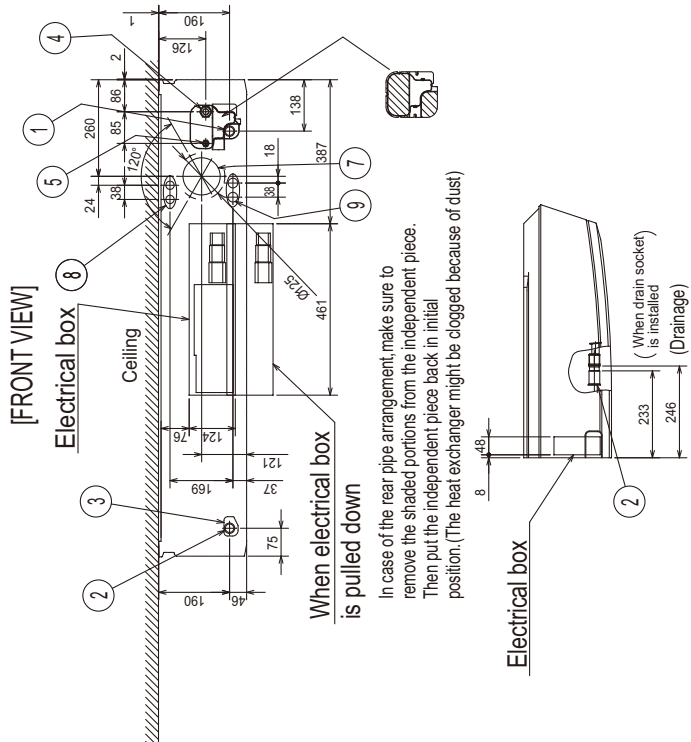
PCFY-MS40VKM-E

Unit: mm



PCFY-MS63VKM-E

Unit: mm

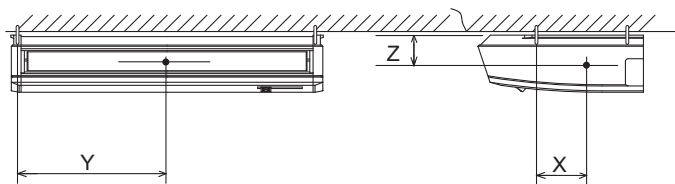


NOTES.
1. Use M10 or W3/8 screw for anchor bolt.
2. Please be sure when installing the drain lift up mechanism (option parts), refrigerant pipe will be only upward.

- ① Drainage pipe connection (26mm I.D.)
 - ② Drainage pipe connection (for the left arrangement)
 - ③ Knock out hole for left drain-piping arrangement
 - ④ Refrigerant-pipe connection (gas pipe side/flared connection)
 - ⑤ Refrigerant-pipe connection (liquid pipe side/flared connection)
 - ⑥ Knock out hole for upper drain pipe arrangement
 - ⑦ Knock out hole for fresh air intake $\phi 100$
 - ⑧ Knock out hole for wiring arrangement 2- $\phi 22$
 - ⑨ Knock out hole for wiring arrangement 2- $\phi 26$
- Accessory... Drain socket (I.D. 26)

PCFY-MS-VKM-E

PCFY-MS40, 63, 100, 125VKM-E



Model name	X	Y	Z
PCFY-MS40VKM-E	110	450	115
PCFY-MS63VKM-E	110	610	115
PCFY-MS100VKM-E	110	770	115
PCFY-MS125VKM-E	110	770	115