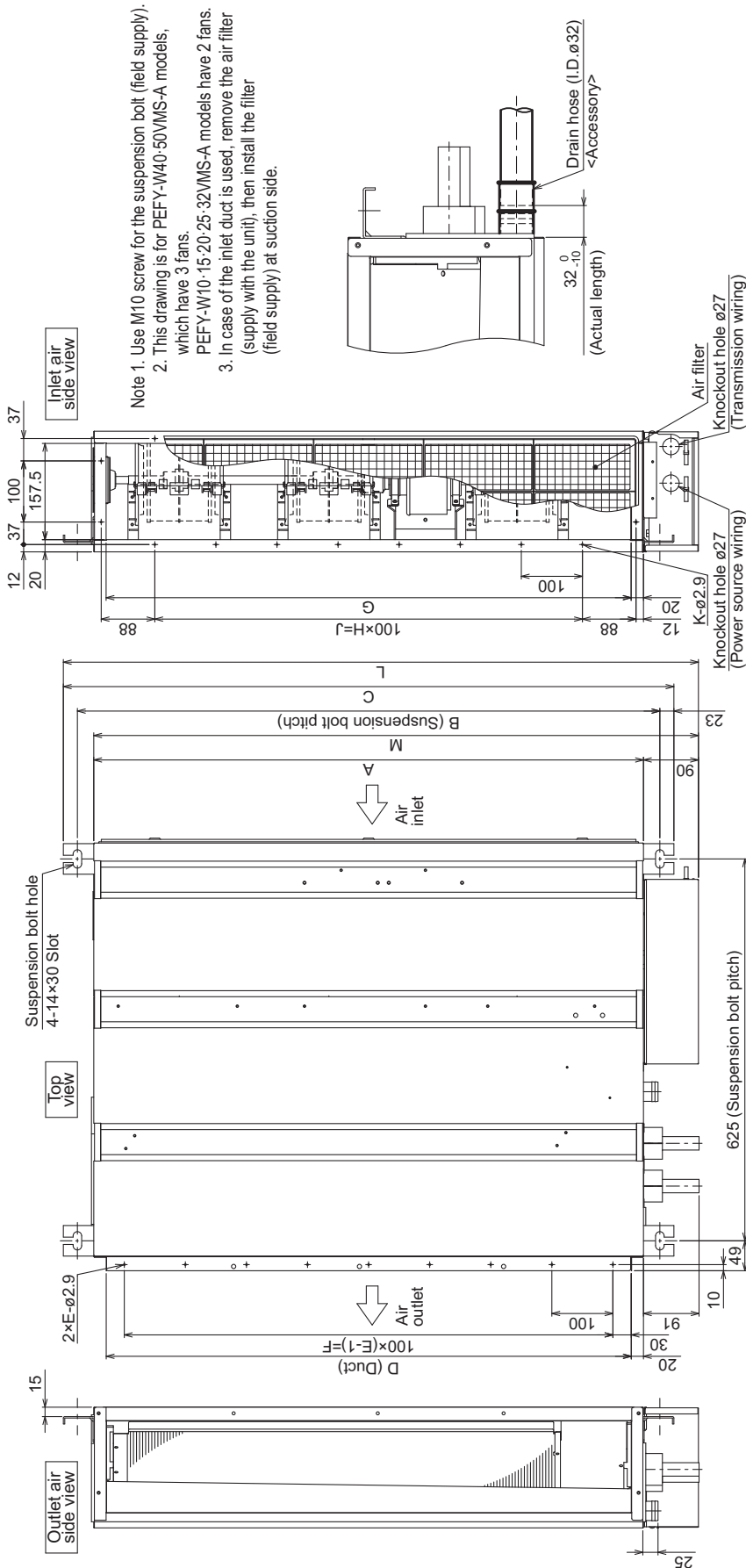
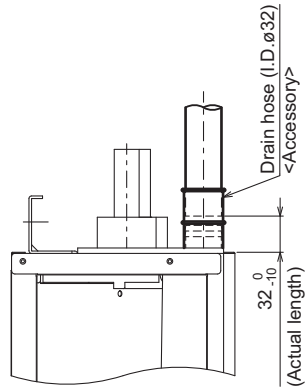


PEFY-W10, 15, 20, 25, 32, 40, 50VMS-A

Unit: mm



- Note 1. Use M10 screw for the suspension bolt (field supply).
 2. This drawing is for PEFY-W40-50VMS-A models, which have 3 fans.
 PEFY-W10-15-20-25-32VMS-A models have 2 fans.
 3. In case of the inlet duct is used, remove the air filter (supply with the unit), then install the filter (field supply) at suction side.



Model	A	B	C	D	E	F	G	H	J	K	L	M
PEFY-W10VMS-A												
PEFY-W15VMS-A												
PEFY-W20VMS-A	700	752	798	660	7	600	660	5	500	16	839	790
PEFY-W25VMS-A												
PEFY-W32VMS-A												
PEFY-W40VMS-A	900	952	998	860	9	800	860	7	700	20	1039	990
PEFY-W50VMS-A												

① Water pipe from HBC/Hydro unit
 ② Water pipe to HBC/Hydro unit
 O.D. ø22

PEFY-W-VMS-A

PEFY-W10, 15, 20, 25, 32, 40, 50VMS-A Drain lift up mechanism built-in specification

Unit: mm

[Maintenance access space]
Secure enough access space to allow for the maintenance, inspection, and replacement of the motor, fan, drain pump, heat exchanger, and control box in one of the following ways.
Select an installation site for the indoor unit so that its maintenance access space will not be obstructed by beams or other objects.

- (1) When a space of 300mm or more is available below the unit between the unit and the ceiling. (Fig.1)
- Create access door 1 and 2 (450x450mm each) as shown in Fig.2.
- (Access door 2 is not required if enough space is available below the unit for a maintenance worker to work in.)
- (2) When a space of less than 300mm is available below the unit between the unit and the ceiling.
- (At least 20mm of space should be left below the unit as shown in Fig.3.)
- Create access door 1 diagonally below the control box and access door 3 below the unit as shown in Fig.4.
- or
- Create access door 4 below the control box and the unit as shown in Fig.5.

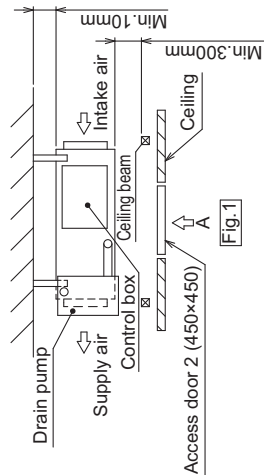


Fig.1

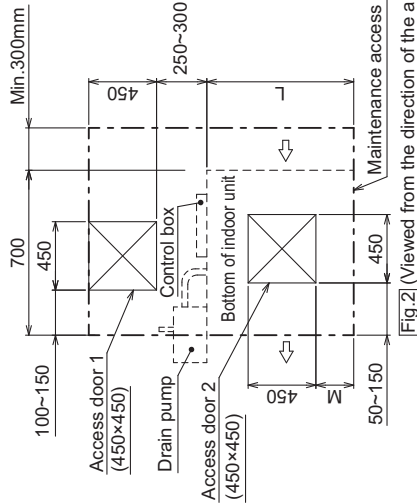


Fig.2 (Viewed from the direction of the arrow A)

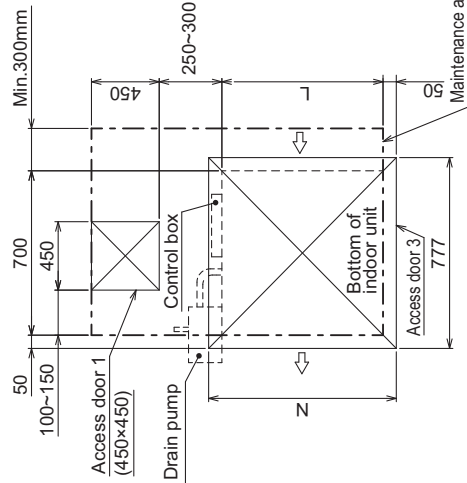


Fig.4 (Viewed from the direction of the arrow B)

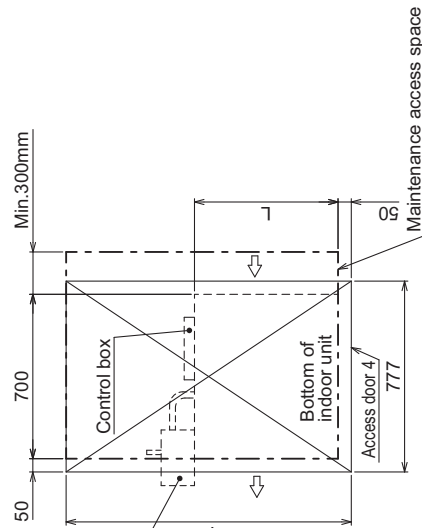


Fig.5 (Viewed from the direction of the arrow B)

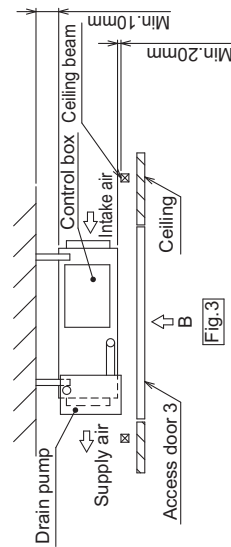


Fig.3

Model	L	M	N	P
PEFY-W10VMS-A				
PEFY-W15VMS-A				
PEFY-W20VMS-A	700	50~150	800	1300
PEFY-W25VMS-A				
PEFY-W32VMS-A				
PEFY-W40VMS-A				
PEFY-W50VMS-A	900	150~250	1000	1500