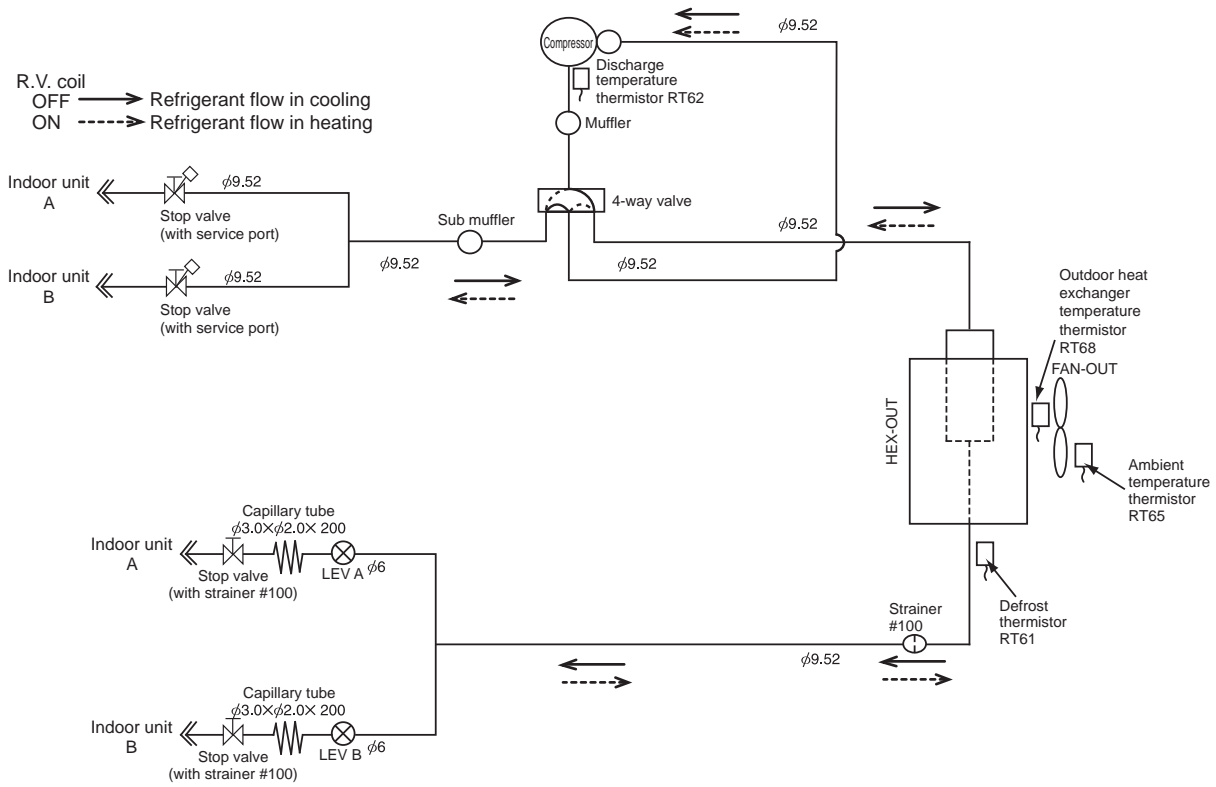


C.4.4 REFRIGERANT SYSTEM DIAGRAM

C.4.4.1 Inverter Heat Pump

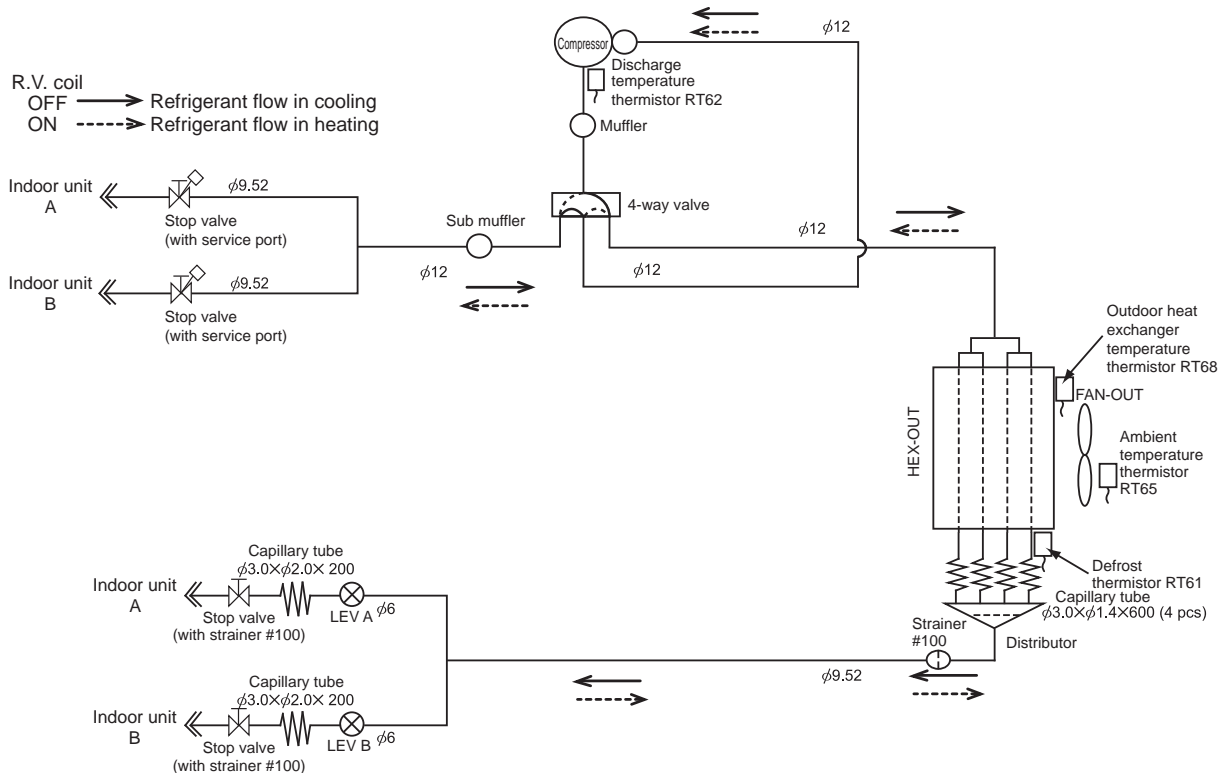
MXZ-2F33VF3

Unit: mm



MXZ-2F42VF3 MXZ-2F53VF3 MXZ-2F53VFH3 MXZ-2HA40VF MXZ-2HA50VF

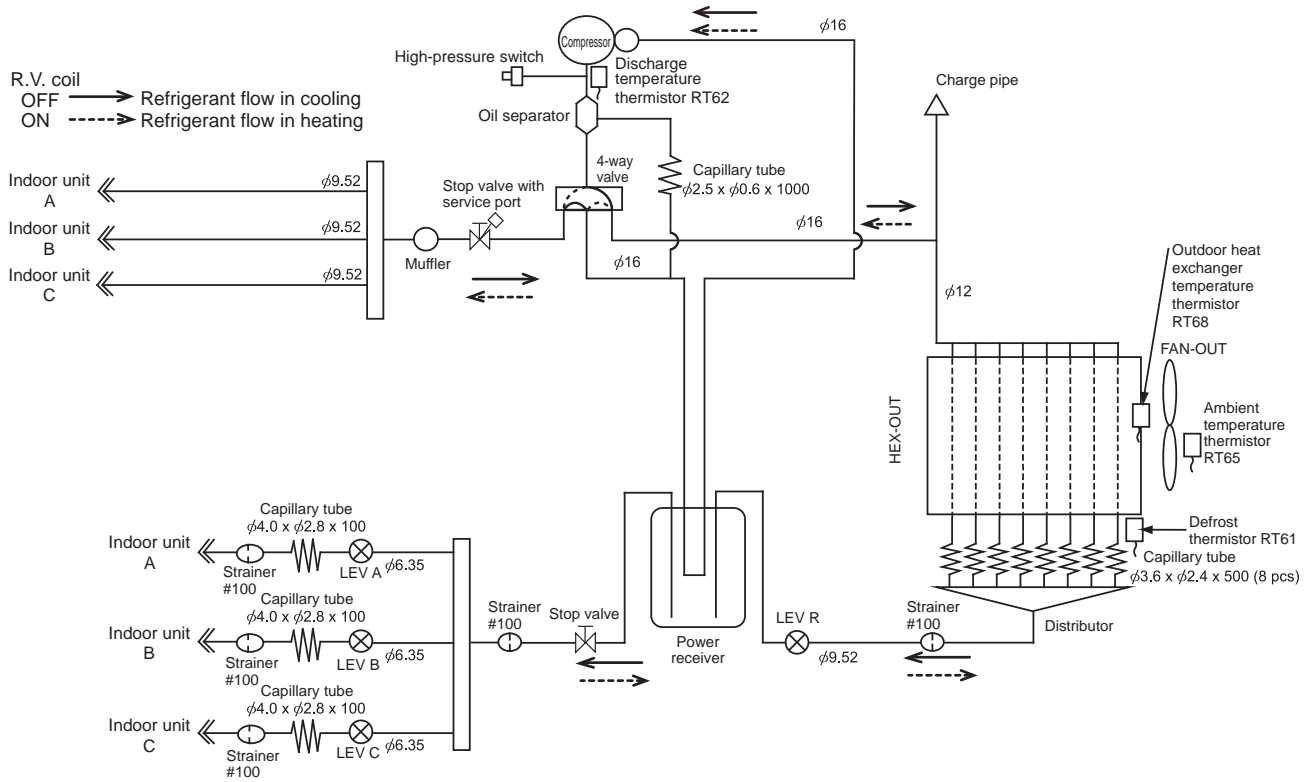
Unit: mm



REFRIGERANT SYSTEM DIAGRAM MULTI SYSTEMS

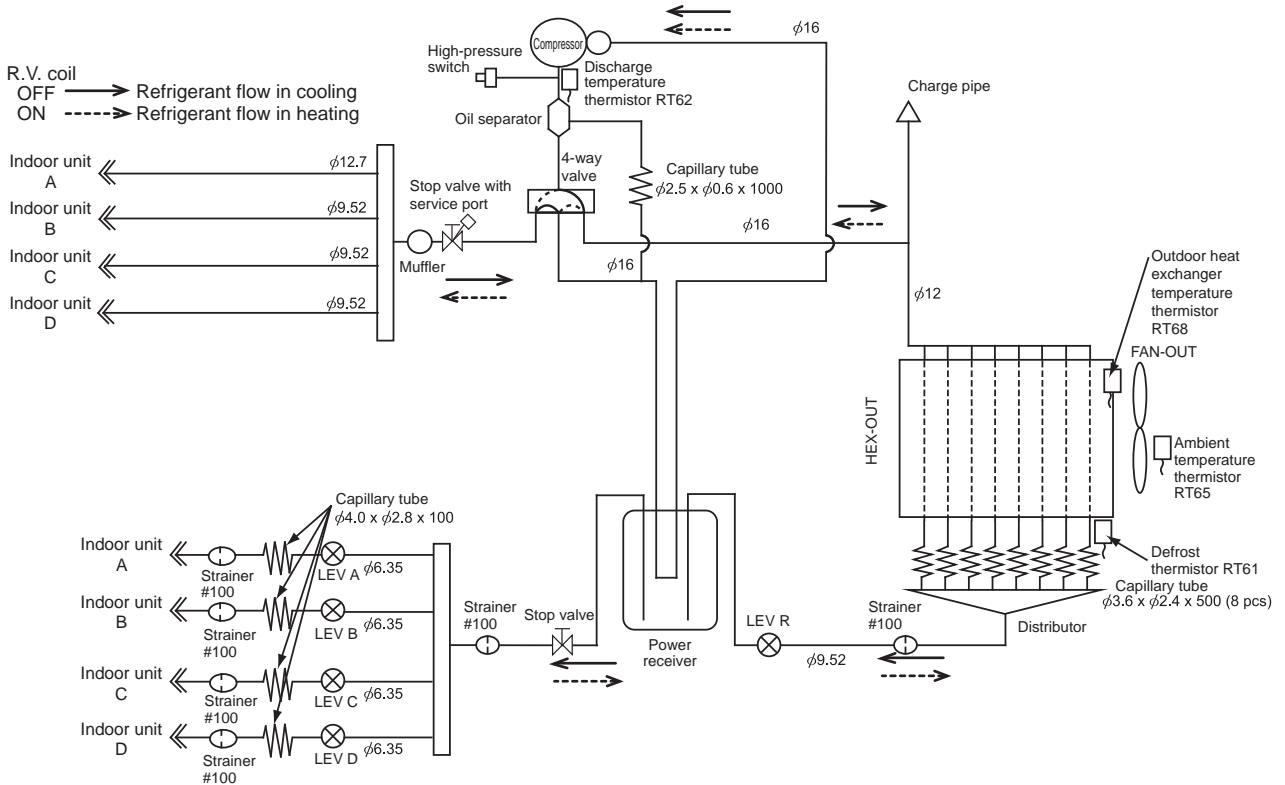
MXZ-3F54VF3 MXZ-3F68VF3 MXZ-3HA50VF

Unit: mm



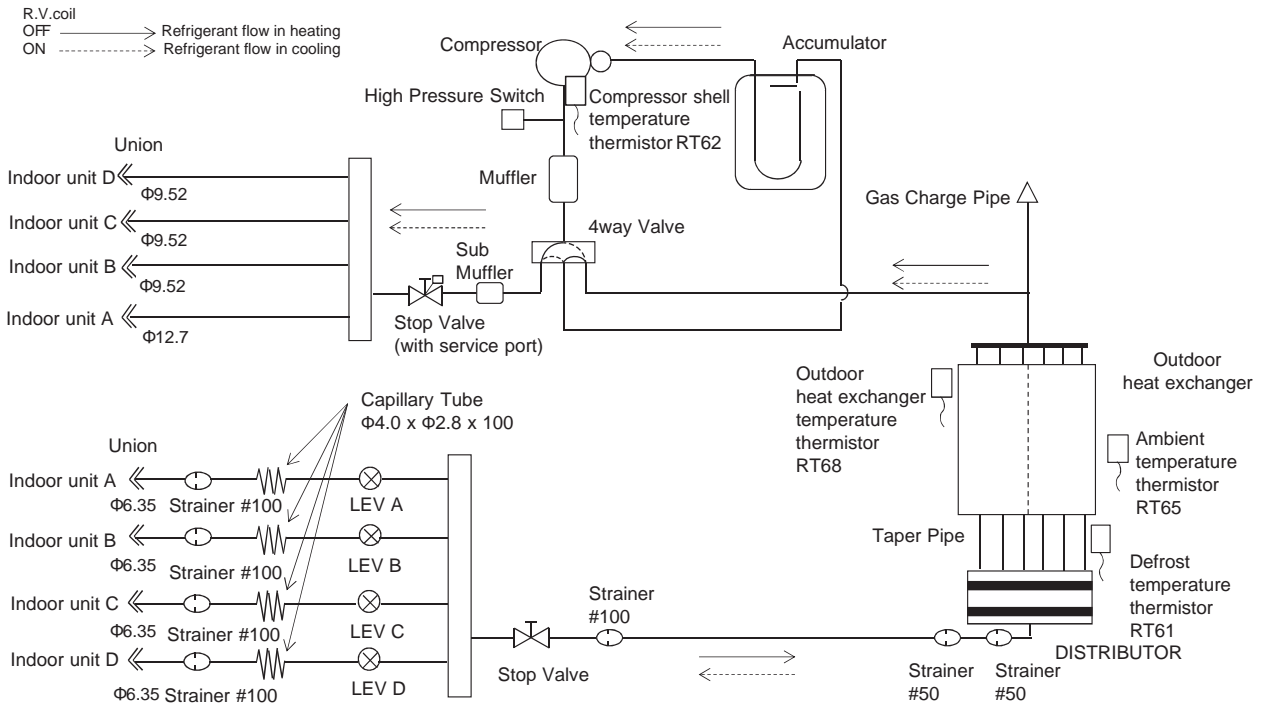
MXZ-4F72VF3 MXZ-4F80VF3

Unit: mm



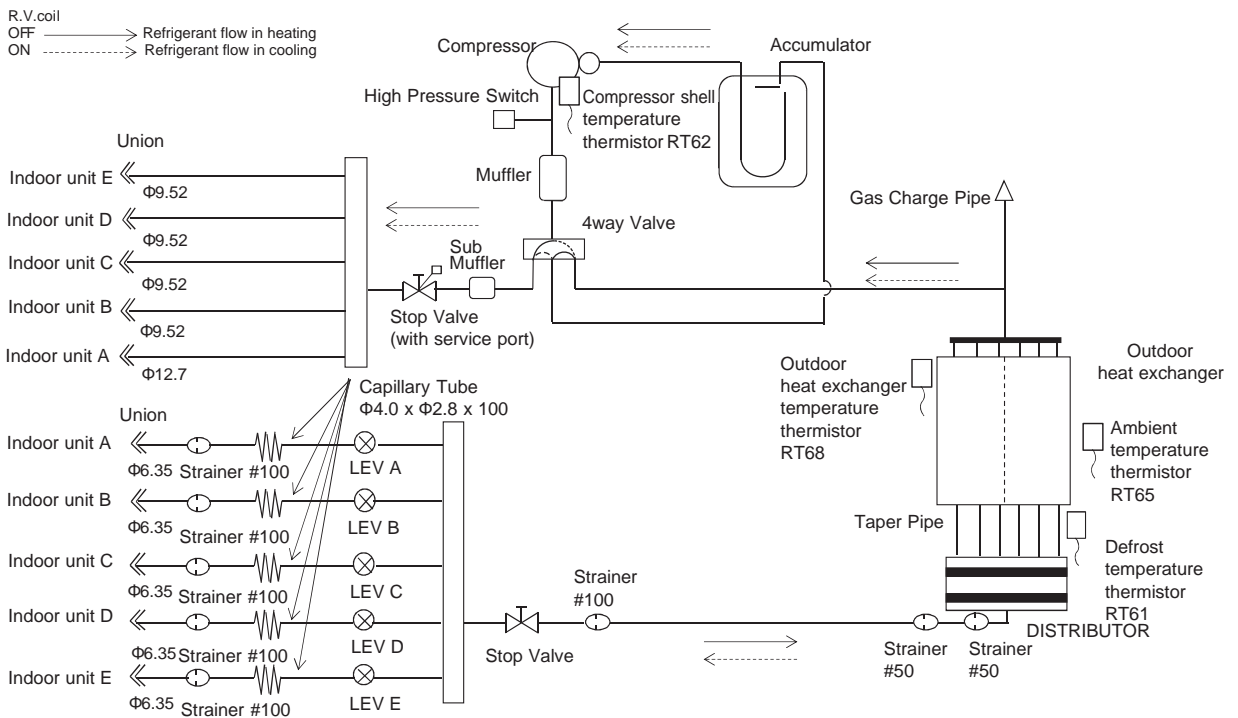
MXZ-4F83VF

UNIT: mm



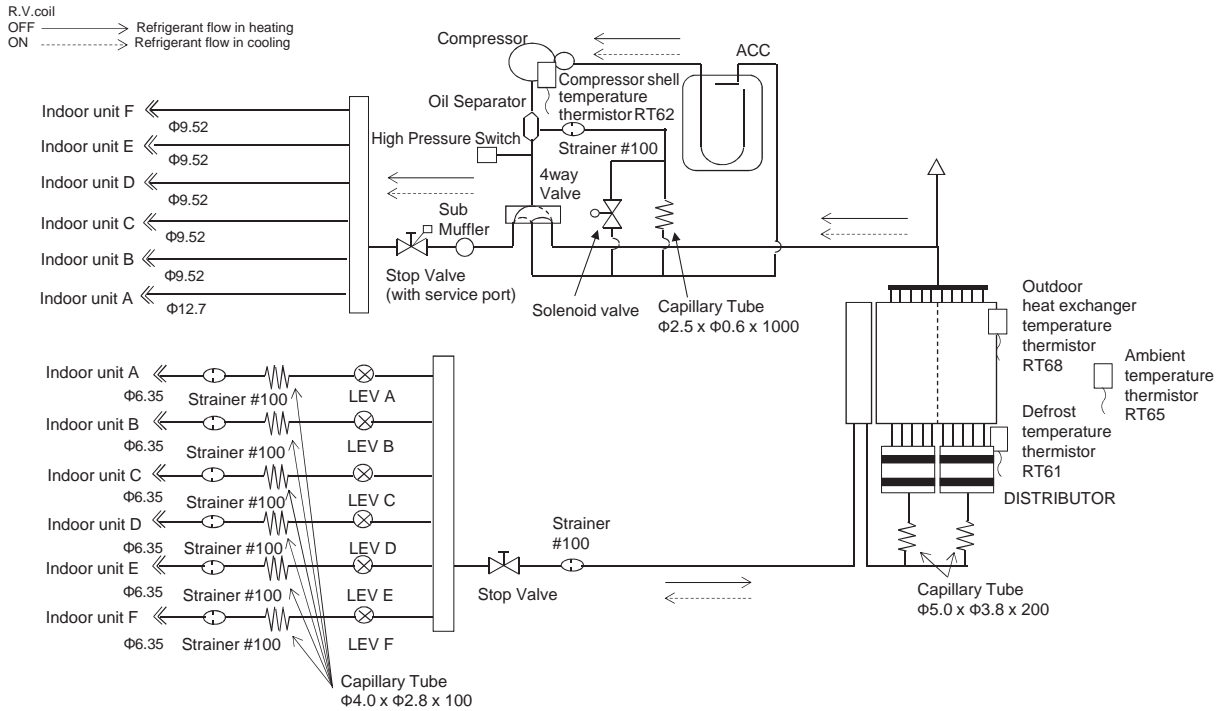
MXZ-5F102VF

UNIT: mm



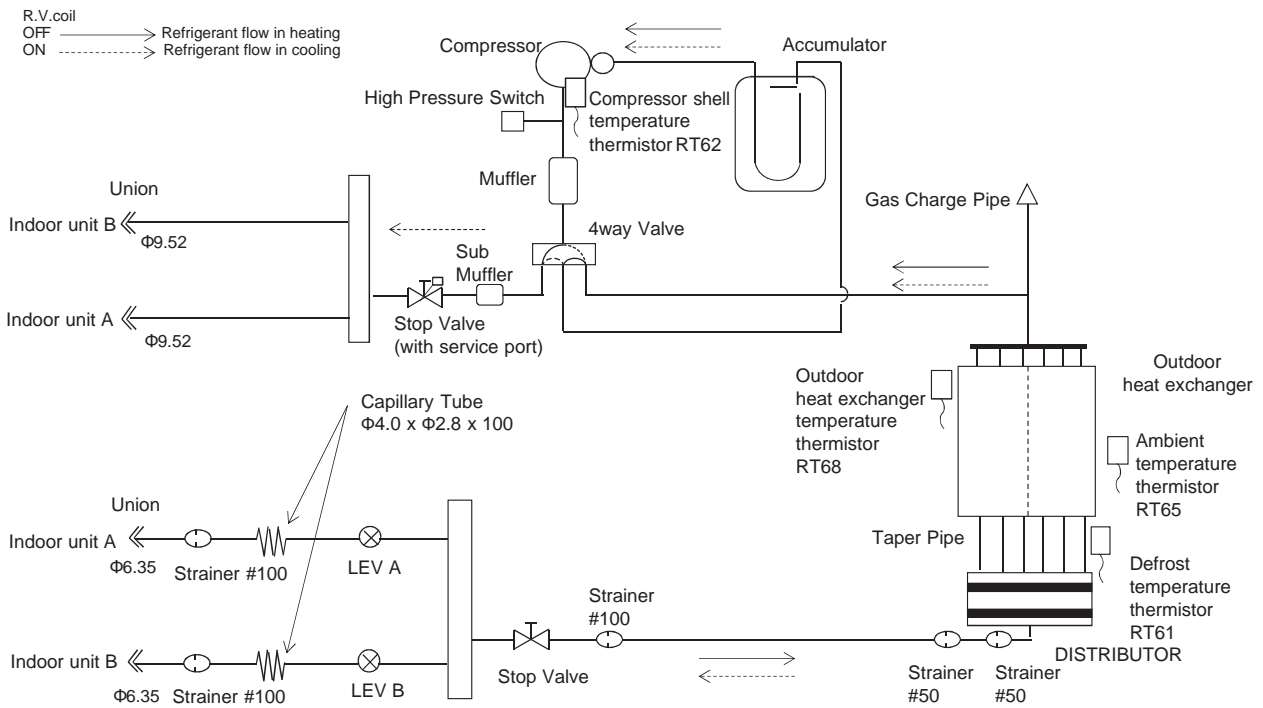
MXZ-6F122VF

UNIT: mm



MXZ-2F53VFHZ

UNIT: mm



MULTI SYSTEMS REFRIGERANT SYSTEM DIAGRAM