



AW-HT 0122 - 0302

High efficiency heat pump, air source for outdoor installation, high water temperature



R HFC R-407C

SCROLL

P PLATES

(The photo of the unit is indicative and may vary depending on the model)

- ✓ PREMIUM 'CLASS A' EFFICIENCY
- ✓ MAXIMUM RELIABILITY
- ✓ WIDE OPERATING RANGE

- ✓ RENEWABLE ENERGY FOR COMMERCIAL INSTALLATIONS
- ✓ MODULAR CONFIGURATION

CERTIFICATIONS

Product certifications



Certificate Number MCS HP0005
Heat Pumps

System certifications



Climaveneta S.p.A.:

Quality System complying with the requirements of UNI EN ISO9001:2008 regulation

Environmental Management System complying with the requirements of UNI EN ISO14001:2004 regulation



Certificate Number MCS HP0005
Heat Pumps

SUMMARY

| | |
|-----------------------------------|------|
| 1. GENERAL DESCRIPTION | p. 3 |
| 2. MODELS AND VERSIONS | 4 |
| 3. ADVANTAGES OF THE HEAT PUMP | 5 |
| 4. SPECIFICATIONS | 7 |
| 5. CONTROL ELECTRONICS | 9 |
| 6. ACCESSORIES | 10 |
| 7. GENERAL TECHNICAL DATA | 11 |
| 8. HEAT PUMP CAPACITY PERFORMANCE | 13 |
| 9. OPERATING LIMITS | 15 |
| 10. ETHYLENE GLYCOL MIXTURE | 16 |
| 11. FOULING FACTORS | 16 |
| 12. HYDRAULIC DATA | 16 |
| 13. HYDRONIC GROUP (Optional) | 17 |
| 14. ELECTRICAL DATA | 24 |
| 15. FULL LOAD SOUND LEVEL | 25 |
| 16. DIMENSIONAL DRAWINGS | 26 |
| 17. LEGEND OF PIPE CONNECTIONS | 27 |

The units highlighted in this publication contain HFC R407C [GWP₁₀₀ 1774] fluorinated greenhouse gases.

Waiver of liability

This publication represents a preliminary document, and is the sole property of Climaveneta. Any reproduction or disclosure of such is strictly prohibited without the written authorisation of Climaveneta.

This document has been prepared with maximum care and attention paid to the content shown. Nonetheless, Climaveneta waives all liability deriving from the use of such document. Read this document carefully.

All work must be performed, components selected and materials used professionally and in complete accordance with the legislation in force in material in the country concerned, and considering the operating conditions and intended uses of the system, by qualified personnel.

The data contained in this publication may be changed without prior notice.

1. GENERAL DESCRIPTION

AW-HT represent the best solution for systems in which there is the need to produce high temperature hot water for both space heating and sanitary purposes. With this solution the space heating can be easily provided by using radiators, so without any major changes on the already existing distribution system available on site. The EVI technology compressor with additional steam injection in the compressing cycle assures a water temperature of 65°C and operating limits as low as -20°C. Neither probes nor connections pipes to wells are needed; the installation is simple, this is a suitable solution for all applications.

ENERGY 'CLASS A' EFFICIENCY

The full range is available with a premium efficiency rating, over the Class A. AW-HT/CA-E and AW-HT/LN-CA-E guaranty premium levels of efficiency and quietness, making this range the best solution for both residential and light commercial markets.

MAXIMUM RELIABILITY

AW-HT offer maximum operating reliability, thanks to their two main features:

- two independent circuits for all sizes;
- system to prevent formation of ice on the coil, ensuring shorter and more efficient defrost cycles.

EXTENSIVE RANGE OF OPERATION

Production of high temperature hot water up to 65°C for space heating and sanitary purposes. The unit can operate as standard down to -20°C outdoor temperature.

RENEWABLE ENERGY FOR COMMERCIAL INSTALLATIONS

Best solution in centralised residential systems such as apartment buildings, where the cost of renovation needs to be limited by keeping the same distribution system with radiators, while offering a source of renewable energy.

MODULAR CONFIGURATION

Modular configuration with capacity extension up to 400kW for medium- and high-capacity installations. Ability of managing different thermal loads according to the requirements of both heating and the domestic hot water systems.

HOT WATER PRODUCTION ONLY

The unit works as a heat pump that, by exploiting the heat of the source air via the finned coil heat exchanger, heats the water delivered to the distribution system via a freon-water plate heat exchanger (condenser).

COMBINED PRODUCTION OF HOT WATER FOR HEATING AND DOMESTIC USE

If the systems require simultaneous production of hot water for heating and for domestic use, the unit deviates the flow of water to the two separate systems via a three way valve, based on the priority assigned, changing the set point to ensure production of hot water with different temperatures based on the type of use (heating or domestic).

In this case too, storage tanks can be used to store the thermal energy for the two systems, heating and domestic hot water, ensuring continuous operation by resolving the problem of simultaneous requests for hot water production.

2. MODELS AND VERSIONS

| | |
|-------------------------|--|
| AW-HT/CA-E: | high efficiency heat pump |
| AW-HT/LN-CA-E: | low noise high efficiency heat pump |
| AW-HT/D/CA-E: | high efficiency heat pump with partial heat recovery |
| AW-HT/D/LN-CA-E: | low noise high efficiency heat pump with partial heat recovery |

AW-HT: heat pump

Heat pump designed for outdoor installation producing hot water for central heating and domestic use, with vapour-injection EVI hermetic scroll compressors operating on R407C, axial-flow fans, braze-welded plate heat exchanger and thermostatic expansion valve.

Peraluman external panelling and coated galvanised steel base. The range features two compressors operating in two separate refrigerant circuits.

MODELS

Basic model

Standard heat pump unit without heat recovery

Model with partial heat recovery (D)

Heat pump unit complete with partial heat recovery.

In this configuration each refrigerant circuit, in addition to the basic configuration, has a refrigerant/water heat exchanger located on the gas discharge line.

This heat exchanger, placed in series downstream of the traditional condenser in the refrigerant circuit, is suitably sized to ensure heat recovery for hot water production at medium-high temperatures, for domestic or other use.

The heating capacity available is equal - as a rough approximation - to compressor power consumption.

Each heat exchanger is supplied as standard with frost protection heater.

VERSIONS AVAILABLE

CA-E - class A

High efficiency version that exceeds energy efficiency class A.

LN-CA-E - Low noise

High efficiency version, class A and low noise. This configuration features special soundproofing for the compressor compartments and a reduction in fan speed.

Rotation speed is however automatically increased in especially demanding environmental conditions.

3. ADVANTAGES OF THE HEAT PUMP

THE EVOLUTION OF ENERGY RESOURCES

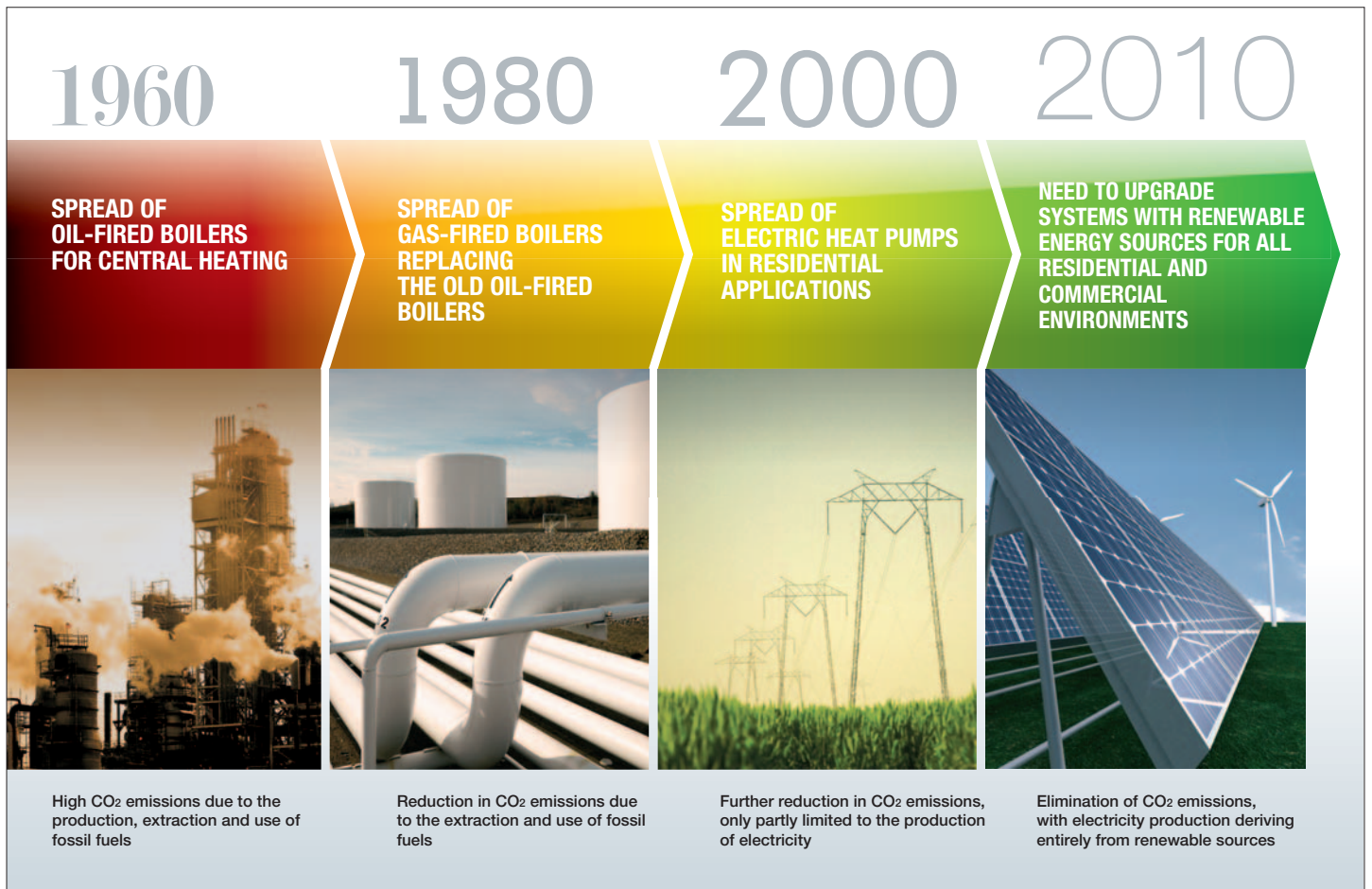
Until now, the energy used to heat rooms and domestic water in residential and service applications has accounted for a significant share of total energy consumption.

This energy is almost entirely produced using fossil fuels, meaning high levels of atmospheric pollution and with harmful effects on the environment.

Increasing environmental awareness, attention to the use of renewable sources and the drive to cut investments and operating costs, together with the need to comply with increasingly

strict legislation, are factors that play an ever more important role in determining property values but also in the development possibilities available.

Heat pumps that exploit the heat of the earth or the air now represent the best solution for heating rooms and producing domestic hot water.



THE IMPORTANCE OF HEAT PUMPS

High temperature heat pumps are ideal for the renovation of buildings where gas- or oil-fired central heating boilers need to be replaced, however with the need to retain the existing hot water distribution system based on radiators and, at the same time, provide domestic hot water.

This situation is typical of contexts involving public buildings, such as schools and government offices, as well as in centralised residential systems such as apartment buildings, where the cost of renovation needs to be limited by keeping the same distribution system while at the same time offering a source of renewable energy, represented by the heat pump.

Renovating a building without involving the distribution system also solves the inconvenience relating to the building work that would otherwise be needed, meaning the building can still be used and consequently saving time and money.

For medium- and high-capacity installations, system capacity can be extended to 400 kW using a modular configuration. This type of installation allows differentiated management of domestic water production so as to optimise the use of energy resources without waste, likewise differentiating heating capacity from cooling capacity.

Its significant operating flexibility means high temperature heat pumps can be effectively used in the following applications:

- centralised systems for apartments
- public buildings
- schools
- hotels
- hospitals and clinics
- sports facilities and fitness centres

OPERATING RELIABILITY AND CONTINUITY

The new Climaveneta heat pumps offer maximum operating reliability, thanks to their two main features:

- two independent circuits for all sizes;
- system to prevent formation of ice on the coil, ensuring shorter and more efficient defrosts.

Indeed it should be remembered that a heat pump used to heat rooms has to operate at maximum capacity when the outside conditions are most adverse.

Typical night-time peaks in energy production must therefore always be ensured, regardless of the outside temperature and humidity conditions that may not allow a traditional heat pump to operate effectively.

For this reason, the Climaveneta AW-HT units are designed and tested to ensure continuous operation and guarantee maximum indoor comfort in all weather conditions.

EXTENSION TO SERVICE AND COMMERCIAL APPLICATIONS

For medium- and high-capacity installations, system capacity can be extended to 400 kW using a modular configuration to connect up to four AW-HT units.

In this type of installation, domestic hot water production can, if necessary, be managed by just one of the units, installing a three-way valve in the water circuit that deviates the flow of domestic hot water to a special storage tank.

This selector valve is managed directly by the AW-HT unit, which decides when to open or close it based on the temperature conditions measured directly in the systems (heating and DHW).

The system is completely managed by the Climaveneta GR2000 sequencer, which can be used to define dynamic standby conditions and priorities for unit activation.

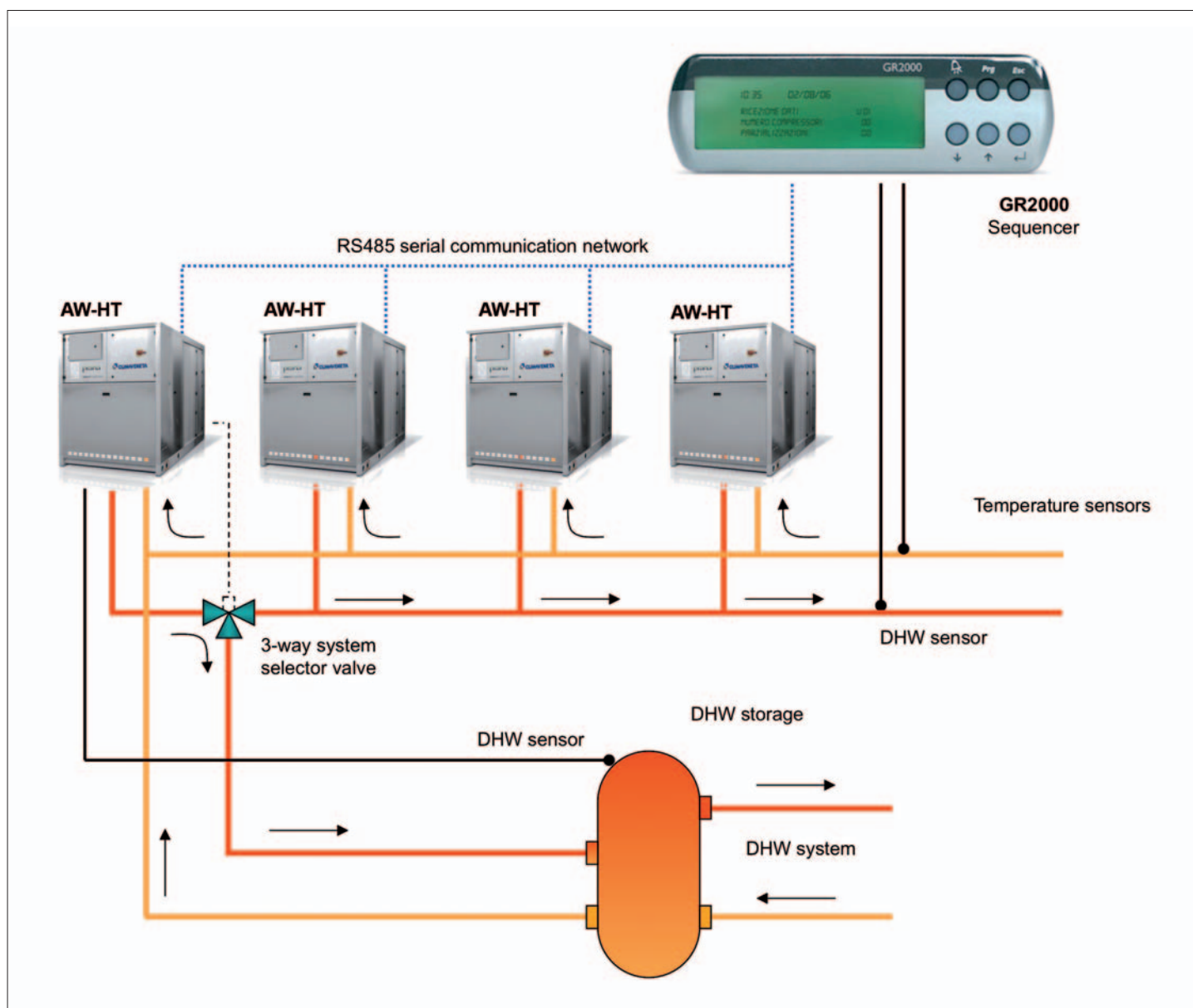
An alarm signal is also available via a relay output.

The LCD user interface displays the main variables relating to the system and the units.

Control can be based on proportional or proportional and integral logic. The device is integrated perfectly into the unit, ensuring simultaneous activation of devices, optimising efficiency and start-up current, and managing the pumps on the unit.

An RS485 serial line is used for connection to the other system devices.

Below is an example of an installation with 4 AW-HT units featuring domestic water production in combination with the Climaveneta GR2000 sequencer.



4. SPECIFICATIONS

DESCRIPTION

Reversible heat pump designed for outdoor installation producing chilled and hot high-temperature water up to 65°C for central heating and domestic use, with vapour-injection EVI hermetic scroll compressors operating on R407C, axial-flow fans, braze-welded plate heat exchanger and thermostatic expansion valve. Peraluman external panelling and coated galvanised steel base. Operating limit in summer mode: +40°C outdoor temperature Operating limit in winter mode: -20°C outdoor temperature.

STRUCTURE

Specific structure for outdoor installation, with hot galvanised steel sheet base painted with polyester powder coat, perimeter frame made from aluminium section bars. Fan compartment separate from the compressor compartments. Specific aluminium alloy panelling for outdoor installation, completely weather-proof, easily removable, designed to allow total access to internal components for inspection and maintenance (removal of front and side panels).

Condensate collection and disposal system composed by double pan, insulated with closed-cell neoprene lagging and heated by dedicated electrical heaters. Double nozzle for water expelling with a 1 1/4" diameter.

Ventilation of compressor compartments.

REFRIGERANT CIRCUIT

Main components of the refrigerant circuit:

- two separated and independent circuits with compressors operating individually in each circuit
- R407C refrigerant
- mechanical thermostatic valves
- filter dryer
- liquid flow indicator with moisture gauge
- high pressure safety valve
- low pressure safety valve
- high and low pressure transducers
- high pressure safety switches
- liquid receivers
- 4-way reversing valves
- plate heat exchanger on subcooling line
- solenoid on liquid subcooling line

COMPRESSOR

Hermetic rotary scroll compressor with vapour injection, complete with sump heater, electronic thermal protector with centralised manual reset, two-pole electric motor.

SYSTEM HEAT EXCHANGER

Braze welded AISI 316 steel plate heat exchanger. The heat exchangers are lined on the outside with closed-cell neoprene lagging. When the unit is not operating, these are protected against formation of ice on the inside by an electric heater with thermostat, while when the unit is operating protection is ensured by a differential pressure switch on the water side. The unit can also operate with non-freezing mixes, down to heat exchanger outlet temperatures of -8°C.

SOURCE HEAT EXCHANGER

Finned coil heat exchanger made from copper tubes and suitably spaced aluminium fins to guarantee maximum heat exchange efficiency, including subcooling circuit located in the bottom section of the coil.

POWER AND CONTROL ELECTRICAL PANEL

Power and control electrical panel, built in compliance with EN60204-1/IEC 204-1 standards, complete with:

- transformer for the control circuit,
- main door interlock disconnect switch,
- fuses and contactors for compressors and fans.
- cumulative alarm terminals (BCA),
- remote ON/OFF terminals,
- spring terminal blocks for control circuits,
- 3 way valve control terminals,
- electrical panel for outdoor installation, with two doors and seal gaskets,
- electronic controller.

Unit power supply voltage: 400V~ ±10% - 50 Hz - 3N.

SOURCE FAN COMPARTMENT

450 mm axial-flow fans with IP 54 index of protection, external impeller, pressed metal blades, housed in aerodynamic tubes, complete with accident prevention grill.

Six-pole electric motor with integrated thermal protector.

Fan compartment divided into two zones to allow independent air flow for each circuit.

Differentiated ventilation control with fans on inactive circuit shut down.

Condenser managed by continuous control of fan rotation speed.

CERTIFICATION

Unit compliant with the following directives and amendments:

- Machinery Directive 2006/42/EC.
- EMC 89/336/EEC + 2004/108/EC.
- Low Voltage Directive 2006/95/EC.
- Pressure Equipment Directive 97/23/EC. Model A1. TÜV Italy

TESTS

Checks performed throughout the entire manufacturing process according to the procedures specified by ISO 9001. Performance or noise emission tests can be conducted by highly qualified technical personnel with the customer present.

Performance test involve measuring

- electrical data
- water flow-rates
- operating temperature
- power consumption
- capacity delivered
- pressure drop on the water-source heat exchanger at both full load (in rated conditions and at the most critical conditions for the condenser) and at part load.

During performance testing the main alarm conditions can also be simulated.

Noise emission tests verify the unit's sound power levels according to ISO 3744.

5. W3000HP CONTROL ELECTRONICS

The W3000HP controller is the new device designed especially for heat pump applications with incorporated logic for high temperature hot water production.

The keypad features function controls and a complete LCD display for viewing data and activating the unit, via a multilevel menu, with settable display language.

The controller provides temperature control for the heating and cooling systems in the air-conditioned rooms, as well as for domestic hot water.

These different temperatures are managed automatically based on the different conditions in which the system operates, with the possibility to assign specific levels of priority to domestic hot water production, depending on the needs of the application.

Diagnostics include complete alarm management, with “black box” functions (via PC) and alarm log (display or PC) for best analysis of unit behaviour.

For systems made up of multiple units, differentiated device management means just a certain portion of the capacity installed can be dedicated to domestic water production, in this way ensuring more efficient energy distribution and, at the same time, guaranteeing simultaneous water delivery to the different distribution systems.

The built-in clock can be used to create an operating profile containing up to 4 typical days and 10 time bands, essential for efficient programming of energy production, and fundamental for managing the Legionella prevention cycles.

Defrosts use proprietary self-adaptive logic involving monitoring of multiple operating and climate parameters.

This reduces the number and duration of defrosts, consequently increasing overall energy efficiency.

Supervision is available with different options, using proprietary devices or by integration into third party systems using ModBus, BACnet, BACnet-over-IP and Echelon LonWorks protocols.

A dedicated wall-mounted keypad can be used for remote control of all the functions.



6. ACCESSORIES

| ACCESSORIES | DESCRIPTION | BENEFIT |
|--|--|--|
| Cu/Cu condensing coils | Air-refrigerant heat exchanger with copper fins and tubes. | Recommended for applications in corrosive atmospheres |
| Condensing coils with epoxy-coated fins | Painted air-refrigerant heat exchanger. | Recommended for applications in medium level pollution atmospheres. |
| Condensing coils with Fin Guard Silver treatment | Air-refrigerant heat exchanger with epoxidic treatment on coils and fins. | Recommended for marine exposure conditions, with an high level of pollution or other aggressive atmospheres. |
| Soft start | Electronic device adopted to manage the inrush current. | Break down of the inrush current as soon as the electrical motor is switch on, lower motor's mechanical wear, favourable sizing for the electrical system. |
| Remote phase-sequence control | Relay for controlling the phase-sequence of mains. | Protects loads against faults due to incorrect connection of the electric line. |
| Compressors' on/off signal | Auxiliary contacts providing a voltage-free signal | Allows remote signalling of compressor's activation or remote control of any auxiliary loads. |
| ModBUS connectivity | Interface module for ModBUS protocols | Allows integration with BMS operating with ModBUS protocol |
| BACnet connectivity | Interface module for BACnet protocols | Allows integration with BMS operating with BACnet protocol |
| Echelon connectivity | Interface module for Echelon systems | Allows integration with BMS operating with Lon-Works protocols |
| HP and LP gauges | High and low pressure gauges. | Allows immediate reading of the pressure values on both low and high pressure circuits. |
| Compressor suction valve | Shut-off solenoid valve on compressor's suction circuit. | Simplifies maintenance activities |
| Compr. discharge line valve | Shut-off solenoid valve on compressor discharge circuit | Simplifies maintenance activities. |
| Cond. coil protection net | Coil protecting net | Protects against the intrusion of solid bodies with medium/large dimensions. |
| Extra insulation for the compressors section | Acoustic enclosure on both compressor and pump sections (when applicable) | Noise emission reduction |
| BACnet OVER-IP connectivity | Interface module for BACnet OVER-IP protocols (LN standard version) | Allows to interconnect BACnet devices over Internet Protocol within wide-area networks |
| Pressure relief valves | Dual relief valve with manual diverting switch | Allows to unselect a relief valve in order to service the unit avoiding medium or long inoperative periods |
| Arrangement for 3 way on field | Arrangement for a 3 way valve for remote installation for the production of domestic hot water | Allows to divert the water flow through the space heating system and the domestic hot water circuit according to the assigned priority level. The control of the flow is based on the water temperature detected by a dedicated sensor placed on the DHW boiler. The unit comes standard without the built in valve. The valve must be installed externally and can be placed close to the DHW boiler, thus simplifying the water circuit. |
| With 3 way valve on board | 3 way valve built-in installed for the production of domestic hot water | Allows to divert the water flow through the space heating system and the domestic hot water circuit according to the assigned priority level. The control of flow is based on the water temperature detected by a dedicated sensor placed on the DHW boiler. The unit comes with the valve factory built in. The actuator is installed into a dedicated board with an electrical heater, protected against low ambient temperature. The built in valve allows to simplify the on-site installation operations. |

7. GENERAL TECHNICAL DATA

AW-HT / CA-E

| SIZE | | 0122 | 0152 | 0202 | 0262 | 0302 | | |
|---------------------------------------|-------------------|-------|-------|-------|-------|-------|--|--|
| AW-HT /CA-E | | | | | | | | |
| HEATING ⁽¹⁾ | | | | | | | | |
| Heating capacity | kW | 38,0 | 51,3 | 68,8 | 84,9 | 102 | | |
| Total power input (unit) | kW | 10,7 | 14,4 | 19,4 | 23,6 | 27,7 | | |
| COP | | 3,55 | 3,56 | 3,55 | 3,60 | 3,68 | | |
| Heat exchanger water flow | m ³ /h | 6,60 | 8,91 | 12,0 | 14,8 | 17,7 | | |
| Heat exchanger pressure drop | kPa | 10,2 | 12,9 | 14,6 | 18,3 | 22,9 | | |
| COMPRESSORS | | | | | | | | |
| Number | N°. | 2 | 2 | 2 | 2 | 2 | | |
| Number of capacity | N°. | 2 | 2 | 2 | 2 | 2 | | |
| Number of circuits | N°. | 2 | 2 | 2 | 2 | 2 | | |
| Type of regulation | STEPS | STEPS | STEPS | STEPS | STEPS | STEPS | | |
| Minimum capacity steps | % | 50 | 50 | 50 | 50 | 50 | | |
| Type of refrigerant | | R407C | R407C | R407C | R407C | R407C | | |
| Refrigerant charge | kg. | 18 | 26 | 30 | 33 | 40 | | |
| Oil charge | kg. | 3,8 | 8 | 8 | 8,2 | 8,2 | | |
| FANS | | | | | | | | |
| Number | N°. | 4 | 6 | 8 | 8 | 8 | | |
| Air flow | m ³ /s | 5,15 | 7,51 | 10,4 | 10,6 | 10,4 | | |
| Single power input | kW | 0,25 | 0,25 | 0,25 | 0,25 | 0,25 | | |
| NOISE LEVELS ⁽²⁾ | | | | | | | | |
| Total sound power | dB(A) | 84 | 86 | 87 | 87 | 87 | | |
| Total sound pressure | dB(A) | 52 | 54 | 55 | 55 | 55 | | |
| DIMENSIONS AND WEIGHTS ⁽³⁾ | | | | | | | | |
| Length | mm. | 1695 | 2195 | 2745 | 2745 | 2745 | | |
| Width | mm. | 1120 | 1120 | 1120 | 1120 | 1120 | | |
| Height | mm. | 1420 | 1420 | 1420 | 1620 | 1620 | | |
| Weight | kg. | 510 | 750 | 870 | 940 | 1030 | | |

1 Ambient temperature 7 C°

Exchanger water (in/out) 40/45 C°

2 Sound power on the basis of measurements made in compliance with ISO 9614 and Eurovent 8/1 for Eurovent certified units; in compliance with ISO 3744 for non-certified units
Average sound pressure level, at 10 (m.) distance, unit in a free field on a reflective surface; non-binding value obtained from the sound power level

3 Standard configuration

- Not available

7. GENERAL TECHNICAL DATA

AW-HT / LN-CA-E

| SIZE | | 0122 | 0152 | 0202 | 0262 | 0302 | | |
|---------------------------------------|-------------------|-------|-------|-------|-------|-------|--|--|
| AW-HT /LN-CA-E | | | | | | | | |
| HEATING ⁽¹⁾ | | | | | | | | |
| Heating capacity | kW | 38,4 | 51,0 | 69,4 | 85,8 | 100 | | |
| Total power input (unit) | kW | 10,7 | 14,3 | 19,4 | 23,7 | 27,6 | | |
| COP | | 3,59 | 3,57 | 3,58 | 3,62 | 3,63 | | |
| Heat exchanger water flow | m ³ /h | 6,67 | 8,86 | 12,1 | 14,9 | 17,4 | | |
| Heat exchanger pressure drop | kPa | 10,5 | 12,7 | 14,8 | 18,7 | 22,2 | | |
| COMPRESSORS | | | | | | | | |
| Number | N°. | 2 | 2 | 2 | 2 | 2 | | |
| Number of capacity | N°. | 2 | 2 | 2 | 2 | 2 | | |
| Number of circuits | N°. | 2 | 2 | 2 | 2 | 2 | | |
| Type of regulation | STEPS | STEPS | STEPS | STEPS | STEPS | STEPS | | |
| Minimum capacity steps | % | 50 | 50 | 50 | 50 | 50 | | |
| Type of refrigerant | | R407C | R407C | R407C | R407C | R407C | | |
| Refrigerant charge | kg. | 18 | 26 | 30 | 33 | 40 | | |
| Oil charge | kg. | 3,8 | 8 | 8 | 8,2 | 8,2 | | |
| FANS | | | | | | | | |
| Number | N°. | 4 | 6 | 8 | 8 | 8 | | |
| Air flow | m ³ /s | 4,17 | 6,25 | 8,42 | 8,68 | 8,68 | | |
| Single power input | kW | 0,25 | 0,25 | 0,25 | 0,25 | 0,25 | | |
| NOISE LEVELS ⁽²⁾ | | | | | | | | |
| Total sound power | dB(A) | 80 | 82 | 83 | 83 | 84 | | |
| Total sound pressure | dB(A) | 48 | 50 | 51 | 51 | 52 | | |
| DIMENSIONS AND WEIGHTS ⁽³⁾ | | | | | | | | |
| Length | mm. | 1695 | 2195 | 2745 | 2745 | 2745 | | |
| Width | mm. | 1120 | 1120 | 1120 | 1120 | 1120 | | |
| Height | mm. | 1420 | 1420 | 1420 | 1620 | 1620 | | |
| Weight | kg. | 530 | 760 | 910 | 980 | 1030 | | |

1 Ambient temperature 7 C°

Exchanger water (in/out) 40/45 C°

2 Sound power on the basis of measurements made in compliance with ISO 9614 and Eurovent 8/1 for Eurovent certified units; in compliance with ISO 3744 for non-certified units
Average sound pressure level, at 10 (m.) distance, unit in a free field on a reflective surface; non-binding value obtained from the sound power level

3 Standard configuration

- Not available

8. HEAT PUMP CAPACITY PERFORMANCE

AW-HT / LN-CA-E

| 0122 | | | | | | | | | | | | | | | | | | |
|------|-------|------|------|------|------|------|-------|------|------|------|------|------|-----|------|------|------|------|------|
| Ta | -20 | -15 | -12 | -5 | 0 | 7 | -20 | -15 | -12 | -5 | 0 | 7 | -20 | -15 | -12 | -5 | 0 | 7 |
| Tcd | 35 | | | | | | 45 | | | | | | 50 | | | | | |
| Pt | 19,0 | 22,1 | 24,0 | 29,1 | 33,0 | 39,0 | 20,2 | 23,0 | 24,9 | 29,7 | 33,5 | 39,4 | - | 23,3 | 25,2 | 30,1 | 34,0 | 39,9 |
| Qcd | 2,05 | 2,39 | 2,60 | 3,15 | 3,57 | 4,22 | 2,19 | 2,50 | 2,70 | 3,22 | 3,63 | 4,28 | - | 2,53 | 2,74 | 3,28 | 3,70 | 4,34 |
| Pcd | 0,990 | 1,34 | 1,59 | 2,33 | 3,00 | 4,19 | 1,13 | 1,47 | 1,71 | 2,43 | 3,10 | 4,30 | - | 1,51 | 1,77 | 2,52 | 3,21 | 4,42 |
| Pat | 8,61 | 8,58 | 8,58 | 8,64 | 8,72 | 8,90 | 9,49 | 9,76 | 9,91 | 10,2 | 10,4 | 10,7 | - | 10,3 | 10,6 | 11,2 | 11,5 | 11,8 |
| Ta | -20 | -15 | -12 | -5 | 0 | 7 | -20 | -15 | -12 | -5 | 0 | 7 | -20 | -15 | -12 | -5 | 0 | 7 |
| Tcd | 55 | | | | | | 60 | | | | | | 65 | | | | | |
| Pt | - | 23,4 | 25,5 | 30,8 | 34,7 | 40,6 | - | - | 25,8 | 31,5 | 35,6 | 41,5 | - | - | 26,0 | 32,4 | 36,7 | 42,5 |
| Qcd | - | 2,55 | 2,78 | 3,35 | 3,78 | 4,42 | - | - | 2,82 | 3,44 | 3,89 | 4,53 | - | - | 2,85 | 3,54 | 4,02 | 4,65 |
| Pcd | - | 1,53 | 1,82 | 2,64 | 3,36 | 4,59 | - | - | 1,87 | 2,78 | 3,55 | 4,81 | - | - | 1,91 | 2,95 | 3,79 | 5,08 |
| Pat | - | 10,9 | 11,4 | 12,2 | 12,7 | 13,1 | - | - | 12,1 | 13,4 | 14,0 | 14,5 | - | - | 12,9 | 14,6 | 15,4 | 16,1 |
| 0152 | | | | | | | | | | | | | | | | | | |
| Ta | -20 | -15 | -12 | -5 | 0 | 7 | -20 | -15 | -12 | -5 | 0 | 7 | -20 | -15 | -12 | -5 | 0 | 7 |
| Tcd | 35 | | | | | | 45 | | | | | | 50 | | | | | |
| Pt | 22,6 | 27,4 | 30,5 | 37,9 | 43,4 | 51,6 | 22,8 | 28,0 | 31,2 | 38,7 | 44,3 | 52,3 | - | 28,6 | 31,7 | 39,2 | 44,7 | 52,6 |
| Qcd | 2,44 | 2,97 | 3,30 | 4,10 | 4,70 | 5,58 | 2,48 | 3,04 | 3,38 | 4,20 | 4,81 | 5,68 | - | 3,11 | 3,45 | 4,27 | 4,86 | 5,72 |
| Pcd | 0,965 | 1,43 | 1,76 | 2,72 | 3,57 | 5,04 | 0,993 | 1,49 | 1,85 | 2,86 | 3,75 | 5,23 | - | 1,57 | 1,93 | 2,95 | 3,83 | 5,31 |
| Pat | 9,97 | 10,5 | 10,8 | 11,4 | 11,8 | 12,1 | 10,3 | 11,5 | 12,1 | 13,2 | 13,8 | 14,3 | - | 12,5 | 13,1 | 14,3 | 15,0 | 15,6 |
| Ta | -20 | -15 | -12 | -5 | 0 | 7 | -20 | -15 | -12 | -5 | 0 | 7 | -20 | -15 | -12 | -5 | 0 | 7 |
| Tcd | 55 | | | | | | 60 | | | | | | 65 | | | | | |
| Pt | - | 29,5 | 32,5 | 39,7 | 45,1 | 52,9 | - | - | 33,4 | 40,3 | 45,5 | 53,1 | - | - | 34,5 | 40,9 | 45,8 | 53,2 |
| Qcd | - | 3,21 | 3,54 | 4,33 | 4,92 | 5,76 | - | - | 3,65 | 4,40 | 4,97 | 5,80 | - | - | 3,77 | 4,48 | 5,02 | 5,82 |
| Pcd | - | 1,67 | 2,03 | 3,04 | 3,91 | 5,38 | - | - | 2,15 | 3,14 | 4,00 | 5,44 | - | - | 2,30 | 3,24 | 4,08 | 5,50 |
| Pat | - | 13,8 | 14,4 | 15,6 | 16,2 | 16,9 | - | - | 15,9 | 16,9 | 17,6 | 18,4 | - | - | 17,7 | 18,4 | 19,0 | 19,9 |
| 0202 | | | | | | | | | | | | | | | | | | |
| Ta | -20 | -15 | -12 | -5 | 0 | 7 | -20 | -15 | -12 | -5 | 0 | 7 | -20 | -15 | -12 | -5 | 0 | 7 |
| Tcd | 35 | | | | | | 45 | | | | | | 50 | | | | | |
| Pt | 32,2 | 38,5 | 42,5 | 52,2 | 59,5 | 70,3 | 32,6 | 39,2 | 43,3 | 53,1 | 60,5 | 71,2 | - | 39,7 | 43,9 | 53,8 | 61,2 | 71,8 |
| Qcd | 3,49 | 4,17 | 4,59 | 5,64 | 6,44 | 7,61 | 3,53 | 4,25 | 4,70 | 5,77 | 6,56 | 7,73 | - | 4,32 | 4,77 | 5,85 | 6,66 | 7,81 |
| Pcd | 1,24 | 1,77 | 2,15 | 3,25 | 4,22 | 5,90 | 1,27 | 1,84 | 2,25 | 3,39 | 4,40 | 6,09 | - | 1,90 | 2,32 | 3,50 | 4,52 | 6,22 |
| Pat | 14,8 | 15,0 | 15,2 | 15,6 | 15,9 | 16,3 | 16,7 | 17,2 | 17,5 | 18,2 | 18,7 | 19,4 | - | 18,3 | 18,7 | 19,7 | 20,4 | 21,2 |
| Ta | -20 | -15 | -12 | -5 | 0 | 7 | -20 | -15 | -12 | -5 | 0 | 7 | -20 | -15 | -12 | -5 | 0 | 7 |
| Tcd | 55 | | | | | | 60 | | | | | | 65 | | | | | |
| Pt | - | 40,4 | 44,6 | 54,7 | 62,1 | 72,6 | - | - | 45,6 | 55,7 | 63,1 | 73,6 | - | - | 46,6 | 56,9 | 64,3 | 74,7 |
| Qcd | - | 4,40 | 4,86 | 5,96 | 6,76 | 7,91 | - | - | 4,97 | 6,08 | 6,89 | 8,03 | - | - | 5,10 | 6,22 | 7,03 | 8,17 |
| Pcd | - | 1,98 | 2,41 | 3,62 | 4,66 | 6,39 | - | - | 2,52 | 3,77 | 4,84 | 6,58 | - | - | 2,65 | 3,95 | 5,04 | 6,81 |
| Pat | - | 19,4 | 20,0 | 21,3 | 22,2 | 23,2 | - | - | 21,4 | 23,1 | 24,1 | 25,4 | - | - | 22,8 | 25,0 | 26,2 | 27,7 |
| 0262 | | | | | | | | | | | | | | | | | | |
| Ta | -20 | -15 | -12 | -5 | 0 | 7 | -20 | -15 | -12 | -5 | 0 | 7 | -20 | -15 | -12 | -5 | 0 | 7 |
| Tcd | 35 | | | | | | 45 | | | | | | 50 | | | | | |
| Pt | 43,4 | 49,3 | 53,3 | 64,1 | 73,0 | 87,1 | 44,2 | 50,5 | 54,6 | 65,6 | 74,4 | 88,2 | - | 51,2 | 55,5 | 66,5 | 75,3 | 88,9 |
| Qcd | 4,69 | 5,34 | 5,77 | 6,94 | 7,90 | 9,43 | 4,80 | 5,48 | 5,93 | 7,12 | 8,07 | 9,57 | - | 5,57 | 6,03 | 7,23 | 8,19 | 9,67 |
| Pcd | 1,85 | 2,39 | 2,80 | 4,05 | 5,24 | 7,47 | 1,94 | 2,52 | 2,96 | 4,25 | 5,48 | 7,69 | - | 2,60 | 3,06 | 4,40 | 5,63 | 7,85 |
| Pat | 16,4 | 17,2 | 17,6 | 18,6 | 19,2 | 20,0 | 18,9 | 19,9 | 20,5 | 21,8 | 22,7 | 23,7 | - | 22,0 | 22,6 | 23,8 | 24,7 | 25,9 |
| Ta | -20 | -15 | -12 | -5 | 0 | 7 | -20 | -15 | -12 | -5 | 0 | 7 | -20 | -15 | -12 | -5 | 0 | 7 |
| Tcd | 55 | | | | | | 60 | | | | | | 65 | | | | | |
| Pt | - | 52,0 | 56,4 | 67,7 | 76,4 | 89,8 | - | - | 57,5 | 69,0 | 77,7 | 90,8 | - | - | 58,7 | 70,4 | 79,2 | 91,9 |
| Qcd | - | 5,67 | 6,15 | 7,37 | 8,33 | 9,78 | - | - | 6,28 | 7,53 | 8,48 | 9,91 | - | - | 6,42 | 7,71 | 8,66 | 10,1 |
| Pcd | - | 2,70 | 3,18 | 4,56 | 5,82 | 8,03 | - | - | 3,31 | 4,76 | 6,05 | 8,25 | - | - | 3,47 | 4,99 | 6,30 | 8,49 |
| Pat | - | 24,5 | 25,0 | 26,1 | 27,0 | 28,3 | - | - | 27,8 | 28,6 | 29,5 | 30,9 | - | - | 31,0 | 31,4 | 32,2 | 33,8 |
| 0302 | | | | | | | | | | | | | | | | | | |
| Ta | -20 | -15 | -12 | -5 | 0 | 7 | -20 | -15 | -12 | -5 | 0 | 7 | -20 | -15 | -12 | -5 | 0 | 7 |
| Tcd | 35 | | | | | | 45 | | | | | | 50 | | | | | |
| Pt | 55,2 | 60,3 | 64,1 | 75,3 | 85,3 | 102 | 57,1 | 62,2 | 66,0 | 77,1 | 86,9 | 103 | - | 63,2 | 67,1 | 78,3 | 88,0 | 104 |
| Qcd | 5,97 | 6,52 | 6,94 | 8,15 | 9,23 | 11,0 | 6,20 | 6,75 | 7,17 | 8,37 | 9,43 | 11,2 | - | 6,87 | 7,30 | 8,51 | 9,57 | 11,3 |
| Pcd | 2,61 | 3,11 | 3,51 | 4,85 | 6,21 | 8,88 | 2,81 | 3,33 | 3,75 | 5,11 | 6,49 | 9,15 | - | 3,45 | 3,89 | 5,29 | 6,69 | 9,37 |
| Pat | 23,1 | 22,4 | 22,1 | 21,8 | 22,1 | 23,0 | 25,0 | 25,1 | 25,2 | 25,8 | 26,4 | 27,6 | - | 26,5 | 27,0 | 28,1 | 29,0 | 30,4 |
| Ta | -20 | -15 | -12 | -5 | 0 | 7 | -20 | -15 | -12 | -5 | 0 | 7 | -20 | -15 | -12 | -5 | 0 | 7 |
| Tcd | 55 | | | | | | 60 | | | | | | 65 | | | | | |
| Pt | - | 64,1 | 68,2 | 79,7 | 89,5 | 105 | - | - | 69,4 | 81,2 | 91,1 | 107 | - | - | 70,6 | 83,0 | 93,0 | 109 |
| Qcd | - | 6,99 | 7,43 | 8,68 | 9,75 | 11,5 | - | - | 7,58 | 8,87 | 9,95 | 11,7 | - | - | 7,73 | 9,08 | 10,2 | 11,9 |
| Pcd | - | 3,56 | 4,03 | 5,50 | 6,94 | 9,64 | - | - | 4,19 | 5,74 | 7,22 | 9,97 | - | - | 4,36 | 6,01 | 7,56 | 10,4 |
| Pat | - | 28,1 | 28,8 | 30,5 | 31,7 | 33,4 | - | - | 30,8 | 33,2 | 34,7 | 36,8 | - | - | 32,8 | 36,0 | 38,0 | 40,4 |

Ta [°C] - Air temperature

Tcd (°C) - Source (side) heat exchanger output water temperature

Pt (kW) - Heating capacity

Pat (kW) - Total power input

Qcd (m³/h) - Source (side) heat exchanger water flow

Dp_{cd} (kPa) - Source (side) heat exchanger pressure drop

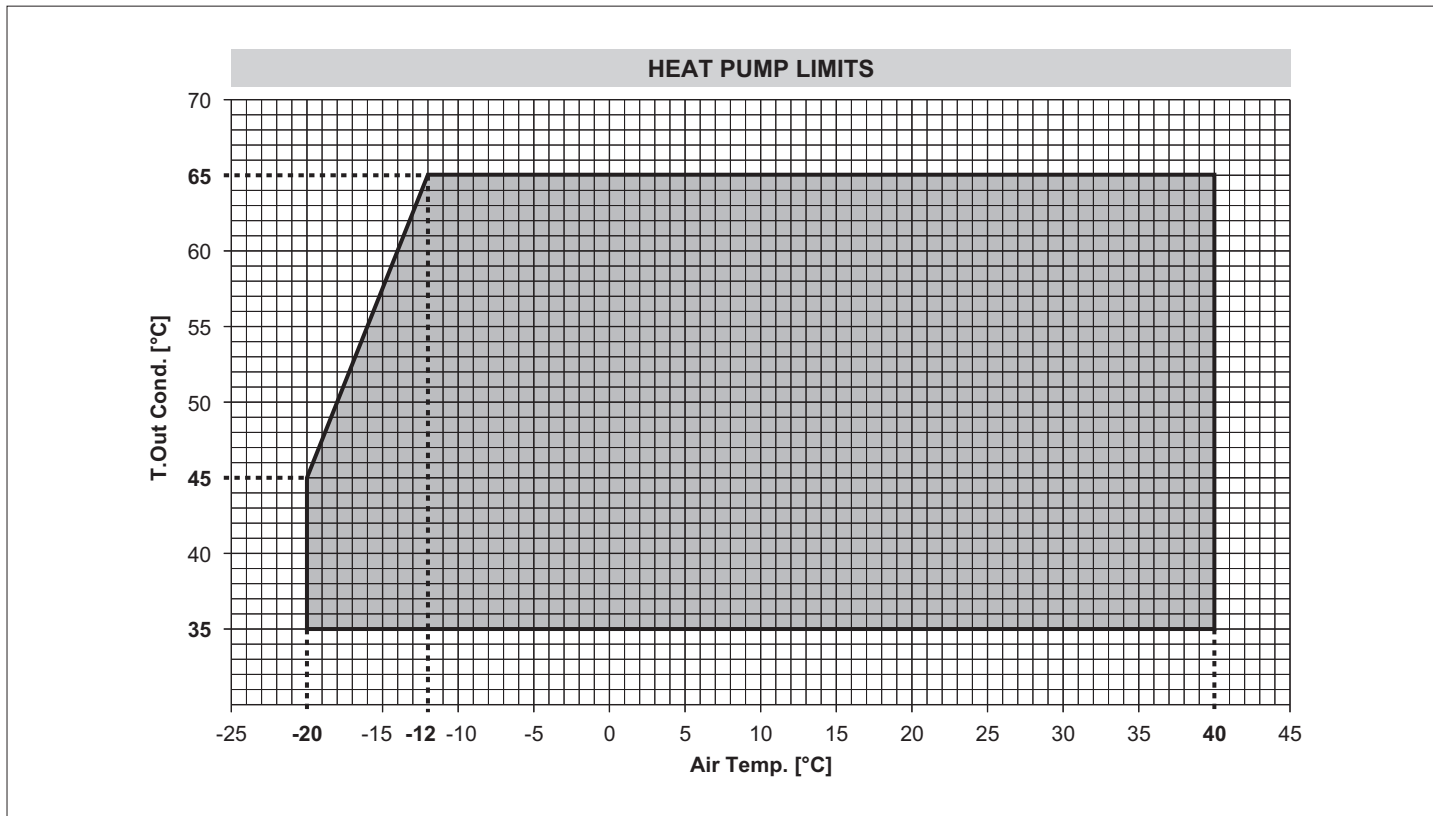
- Conditions outside the operating range

Waterflow and pressure drop on heat exchangers calculated with 5°C of delta T

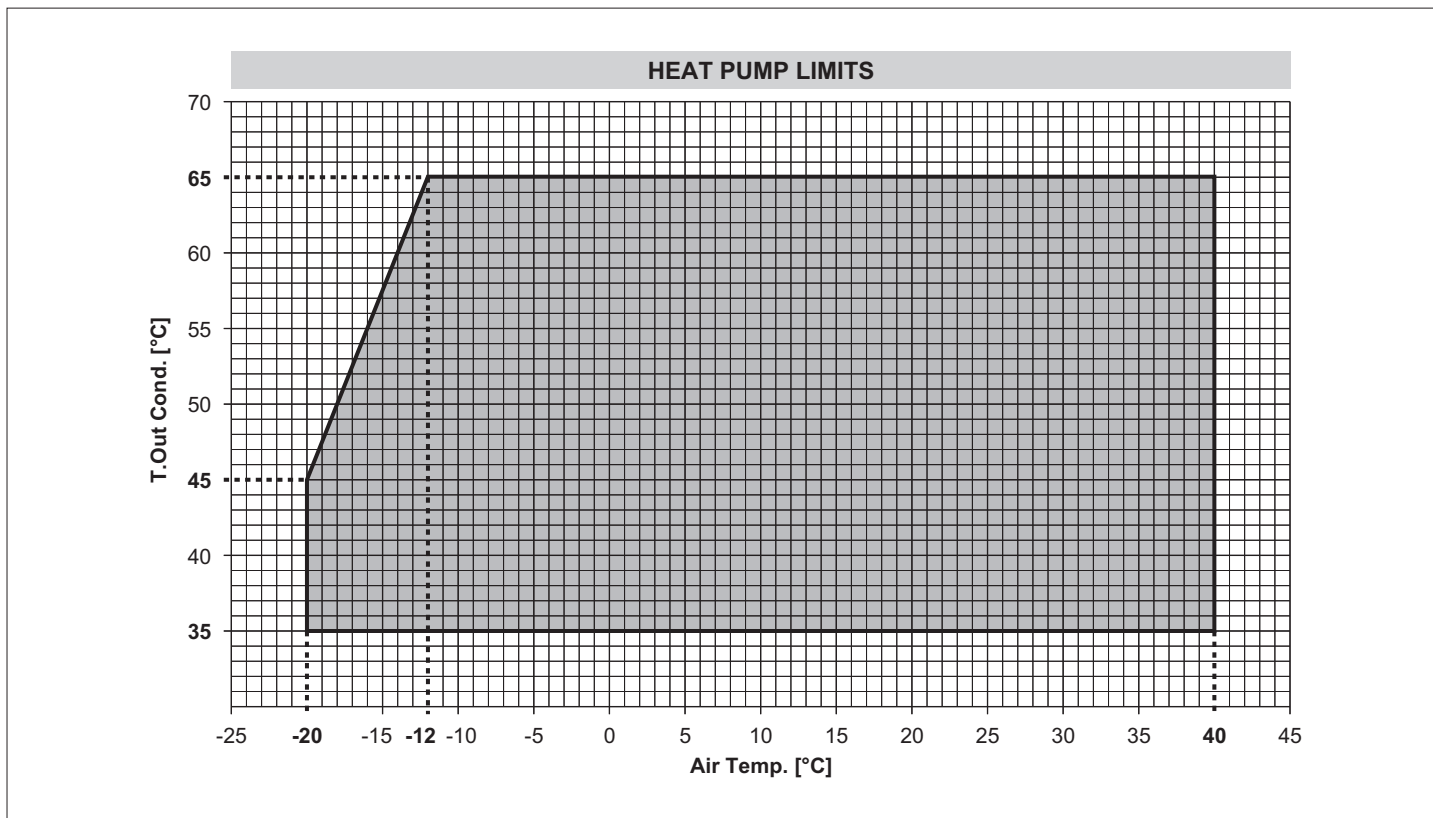
NOTE: Data on grey background: unit switched to non-silenced operation

9. OPERATING LIMITS

AW-HT / CA-E - 0122 ÷ 0302



AW-HT / LN-CA-E - 0122 ÷ 0302



10. ETHYLENE GLYCOL MIXTURE

Ethylene glycol and water mixture, used as a heat-conveying fluid, cause a variation in unit performance. For correct data, use the factors indicated in the following tabel.

| | Freezing point (°C) | | | | | | | |
|-----|--------------------------------------|-------|------|-------|------|-------|-------|------|
| | 0 | -5 | -10 | -15 | -20 | -25 | -30 | -35 |
| | Ethylene glycol percentage by weight | | | | | | | |
| | 0 | 12% | 20% | 30% | 35% | 40% | 45% | 50% |
| cPf | 1 | 0,985 | 0,98 | 0,974 | 0,97 | 0,965 | 0,964 | 0,96 |
| cQ | 1 | 1,02 | 1,04 | 1,075 | 1,11 | 1,14 | 1,17 | 1,2 |
| cdp | 1 | 1,07 | 1,11 | 1,18 | 1,22 | 1,24 | 1,27 | 1,3 |

cPf: cooling power correction factor
 cQ: flow correction factor
 cdp: pressure drop correction factor

For data concerning other kind of anti-freeze solutions (e.g. propylene glycol) please contact our Sale Department.

11. FOULING FACTORS

Performances are based on clean condition of tubes (fouling factor = 1). For different fouling values, performance should be adjusted using the correction factors shown in the following table.

| FOULING FACTORS ff (m °CW) | EVAPORATOR | | | CONDENSER/RECOVERY | | | DESUPERHEATER |
|----------------------------------|------------|-------|---------|--------------------|-------|---------|---------------|
| | F1 | FK1 | KE [°C] | F2 | FK2 | KC [°C] | R3 |
| 0 | 1,000 | 1,000 | 0,0 | 1,000 | 1,000 | 0,0 | 1,000 |
| 1,80 x 10 ⁻⁵ | 1,000 | 1,000 | 0,0 | 1,000 | 1,000 | 0,0 | 1,000 |
| 4,40 x 10 ⁻⁵ | 1,000 | 1,000 | 0,0 | 0,990 | 1,030 | 1,0 | 0,990 |
| 8,80 x 10 ⁻⁵ | 0,960 | 0,990 | 0,7 | 0,980 | 1,040 | 1,5 | 0,980 |
| 13,20 x 10 ⁻⁵ | 0,944 | 0,985 | 1,0 | 0,964 | 1,050 | 2,3 | 0,964 |
| 17,20 x 10 ⁻⁵ | 0,930 | 0,980 | 1,5 | 0,950 | 1,060 | 3,0 | 0,950 |

ff: fouling factors
 f1 - f2: potential correction factors
 fk1 - fk2: compressor power input correction factors
 r3: capacity correction factors

KE: minimum condenser outlet temperature increase
 KC: maximum condenser outlet temperature decrease

12. HYDRAULIC DATA

Water flow and pressure drop

Water flow in the heat exchangers is given by: $Q = P \times 0,86 / Dt$
 Q: water flow (m³/h)
 Dt: difference between inlet and outlet water temp. (°C)
 P: heat exchanger capacity (kW)

Pressure drop is given by: $Dp = K \times Q^2 / 1000$
 Q: water flow (m³/h)
 Dp: pressure drop (kPa)
 K: unit size ratio

| SIZE | Plant side heat exchanger | | | | |
|---------------------|---------------------------|-------|-------|--------|--------|
| | K | Q min | Q max | C.A.S. | C.a. |
| | | m³/h | m³/h | dm³ | min m³ |
| AW-HT /CA-E 0122 | 235 | 3,3 | 27,5 | 7 | 0,35 |
| AW-HT /CA-E 0152 | 162 | 3,3 | 27,5 | 10 | 0,45 |
| AW-HT /CA-E 0202 | 102 | 5,3 | 27,5 | 13 | 0,62 |
| AW-HT /CA-E 0262 | 84 | 7,4 | 27,5 | 16 | 0,76 |
| AW-HT /CA-E 0302 | 73 | 8,6 | 27,5 | 19 | 0,91 |
| AW-HT /LN-CA-E 0122 | 235 | 3,3 | 27,5 | 7 | 0,35 |
| AW-HT /LN-CA-E 0152 | 162 | 3,3 | 27,5 | 10 | 0,45 |
| AW-HT /LN-CA-E 0202 | 102 | 5,3 | 27,5 | 13 | 0,62 |
| AW-HT /LN-CA-E 0262 | 84 | 7,4 | 27,5 | 16 | 0,76 |
| AW-HT /LN-CA-E 0302 | 73 | 8,6 | 27,5 | 19 | 0,91 |

Q min: minimum water flow admitted to the heat exchanger
 Q max: maximum water flow admitted to the heat exchanger
 C.a. min: minimum water content admitted in the plant, using traditional control logic
 C.A.S.: heat exchanger water content

13. HYDRONIC GROUP (OPTIONAL)

The units can be supplied with a hydronic group. This houses all the main hydraulic components, thereby optimising hydraulic and electric installation space, time and cost.

Available pump configurations:

- Hydronic kit with one IN-LINE 2-pole low-head pump
- Hydronic kit with one IN-LINE 2-pole high-head pump
- Hydronic kit with IN-LINE 2-pole low-head twin pumps
- Hydronic kit with IN-LINE 2-pole high-head twin pumps

2-pole low head pump

Centrifugal pumps with in-line suction and delivery flanges, in single and twin versions. Pump body in cast iron and impeller in AISI 316L stainless steel or cast-iron, entirely laser technology welded. Mechanical seal with components in ceramics, carbon and EPDM elastomers. Three-phase electric motor protected to IP55, insulation class F, suitable for continuous service.

2-pole high-head pump

All versions of the hydronic unit can be supplied with a high head pump. In these cases, the pump features a two-pole motor even in the silent-running versions.

Twin pump

A second stand-by pump for high or low pressures is available on request. The pumps are automatically exchanged on the basis of a rotation programme and the stand-by pump cuts in automatically if the primary pump fails.

GENERAL CHARACTERISTICS

Water connections

In the units without pumps, standard version, the connections for the water inlet and outlet both in the evaporator and in the desuperheater are inside the unit. As an accessory one can request these connections flush with the unit.

For units with pumps, the connections are always flush with the unit.

3 way valve kit

Three way valve for the production of domestic hot water (DHW) including water temperature sensor, voltage-free contact for activating an integrating external heating source (gas boiler or electrical heater). The kit comes with or without the 3 way valve factory built-in.

Water-side mechanical filter (optional)

Y-filter designed and built to capture the impurities in the hydraulic circuit. It is fitted with a 0.9 mm stainless steel mesh cartridge which can be replaced without removing the valve body from the piping.

Unit electrical panel

The unit electrical panel is fitted with fuses and a circuit breaker contactor.

Special pumps

For pumps with different configurations, please contact our sales department.

Additional components

The supply does not include the following accessories though these are recommended to ensure correct system operation:

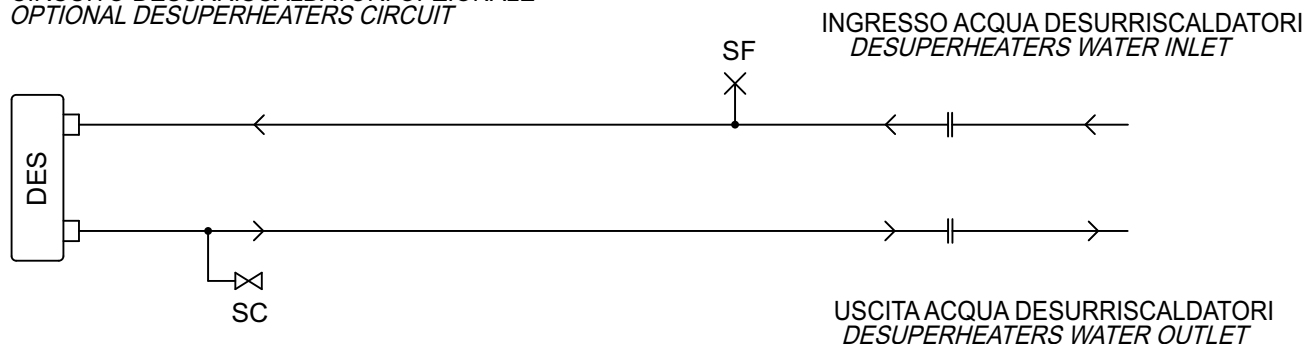
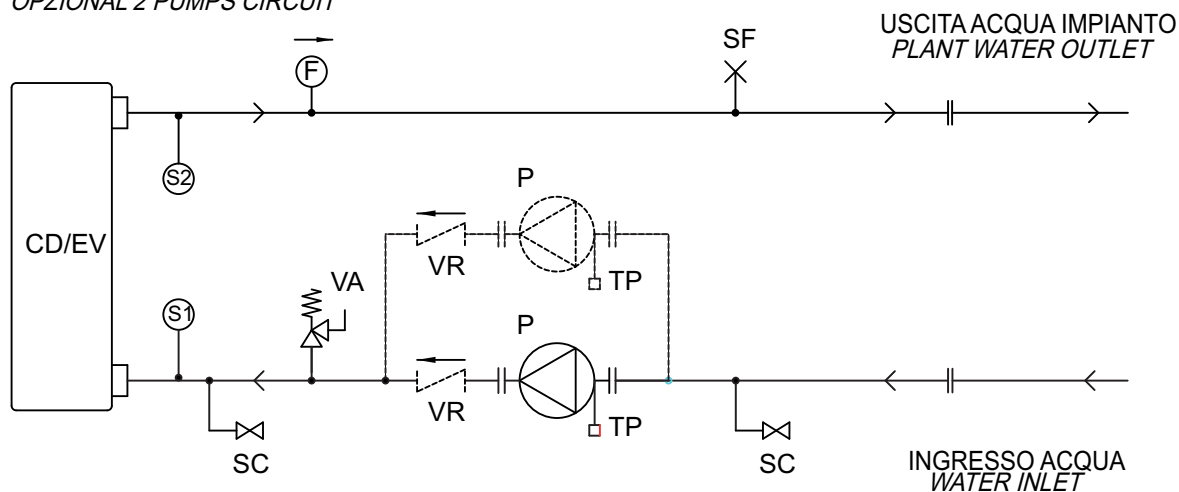
- MA Pressure gauges upline and downline from the unit
- GF Flexible joints on piping
- RI On-off valves
- T Outlet control thermometer

Extra weight

| SIZE | 1 Pump Hydronic kit | 2 Pumps Hydronic kit |
|---------------|------------------------|-------------------------|
| | extra [kg] | extra [kg] |
| 0122 /CA-E | 40 | 70 |
| 0152 /CA-E | 50 | 80 |
| 0202 /CA-E | 60 | 90 |
| 0262 /CA-E | 60 | 90 |
| 0302 /CA-E | 70 | 90 |
| 0122 /LN-CA-E | 40 | 60 |
| 0152 /LN-CA-E | 40 | 70 |
| 0202 /LN-CA-E | 60 | 80 |
| 0262 /LN-CA-E | 60 | 90 |
| 0302 /LN-CA-E | 70 | 100 |

extra [kg] extra weight

Hydraulic diagram

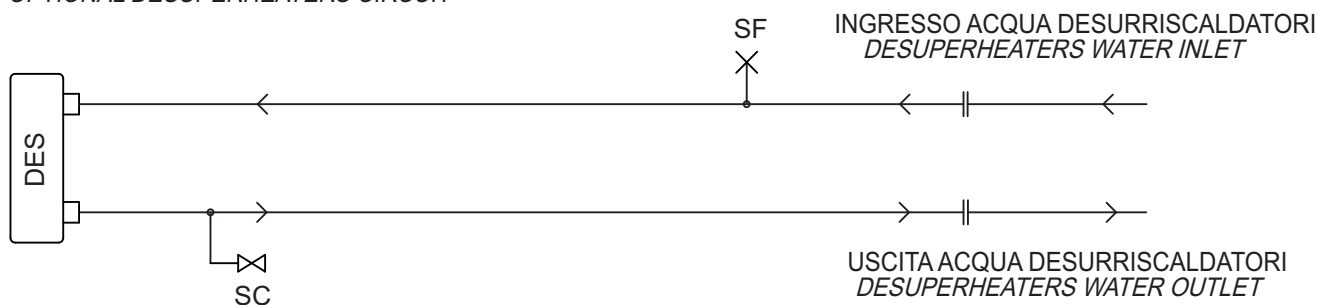
CIRCUITO DESURRISCALDATORI OPZIONALE
OPTIONAL DESUPERHEATERS CIRCUITCIRCUITO A 2 POMPE OPZIONALE
OPTIONAL 2 PUMPS CIRCUIT

LEGENDA - LEGEND

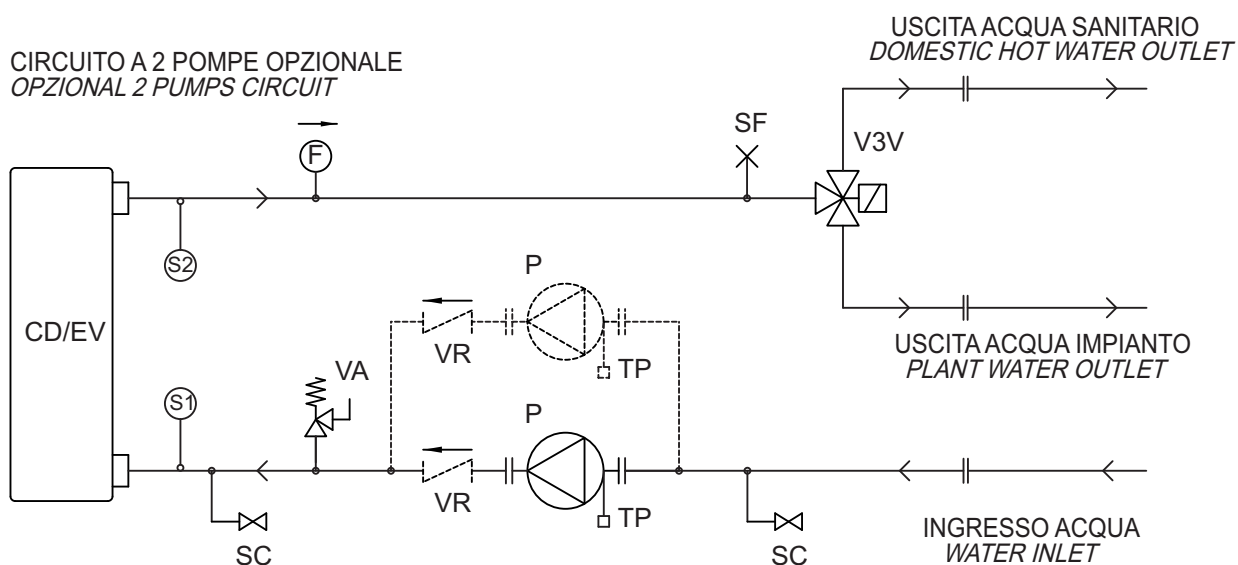
| | |
|-------|--|
| CD/EV | Evaporatore/Condensatore (scambiatore a piastre) Evaporator/Condenser (plate exchanger) |
| DES | Desurriscaldatori opzionali (scambiatore a piastre) Desuperheaters optional (plate exchanger) |
| F | Flussostato Flow switch |
| P | Pompa di circolazione Available pressure pump |
| SC | Valvola di scarico Drain valve |
| SF | Valvola di sfianto Purge valve |
| S1 | Sonda ingresso acqua scambiatore Exchanger water inlet probe |
| S2 | Sonda uscita acqua scambiatore Exchanger water outlet probe |
| TP | Tappo di drenaggio Drain plug |
| VA | Valvola di sicurezza Safety valve |
| VR | Valvola di ritegno (solo con 2 pompe) Check valve (only with 2 pumps) |

Hydraulic diagram with 3 way valve

CIRCUITO DESURRISCALDATORI OPZIONALE
 OPTIONAL DESUPERHEATERS CIRCUIT



CIRCUITO A 2 POMPE OPZIONALE
 OPZIONAL 2 PUMPS CIRCUIT



LEGENDA - LEGEND

| | |
|-------|--|
| CD/EV | Evaporatore/Condensatore (scambiatore a piastre) Evaporator/Condenser (plate exchanger) |
| DES | Desurriscaldatori opzionali (scambiatore a piastre) Desuperheaters optional (plate exchanger) |
| F | Flussostato Flow switch |
| P | Pompa di circolazione Available pressure pump |
| SC | Valvola di scarico Drain valve |
| SF | Valvola di sfiato Purge valve |
| S1 | Sonda ingresso acqua scambiatore Exchanger water inlet probe |
| S2 | Sonda uscita acqua scambiatore Exchanger water outlet probe |
| TP | Tappo di drenaggio Drain plug |
| VA | Valvola di sicurezza Safety valve |
| VR | Valvola di ritegno (solo con 2 pompe) Check valve (only with 2 pumps) |
| V3V | Valvole 3 vie 3 way valve |

COOLING - 1 PUMP - HIGH HEAD PUMP

| | Pf (1) | Q (1) | Rif. | Pump | N. | F.L.I. | F.L.A. | Ks | Dps | Hu | | |
|------|--------|--------|------|-----------------|------|--------|--------|-----|------|-----|------|-----|
| SIZE | [kW] | [m³/h] | Pump | type | Pole | [kW] | [A] | - | kPa | kPa | Kv3v | Kfi |
| 0122 | 34,1 | 5,9 | C1 | DWC-V 300 / 1,5 | 2 | 1,5 | 3,2 | 294 | 10,1 | 211 | 66 | 109 |
| 0152 | 43,8 | 7,5 | C2 | DWC-V 300 / 1,5 | 2 | 1,5 | 3,2 | 217 | 12,3 | 203 | 66 | 109 |
| 0202 | 60,3 | 10,4 | C3 | DWC-V 300 / 1,5 | 2 | 1,5 | 3,2 | 123 | 13,2 | 190 | 27 | 79 |
| 0262 | 76,4 | 13,1 | E | DWC-V 500 / 2,2 | 2 | 2,2 | 4,8 | 104 | 18,0 | 206 | 27 | 79 |
| 0302 | 91,7 | 15,8 | F | DWC-V 500 / 3,0 | 2 | 3 | 5,6 | 92 | 22,9 | 215 | 27 | 79 |

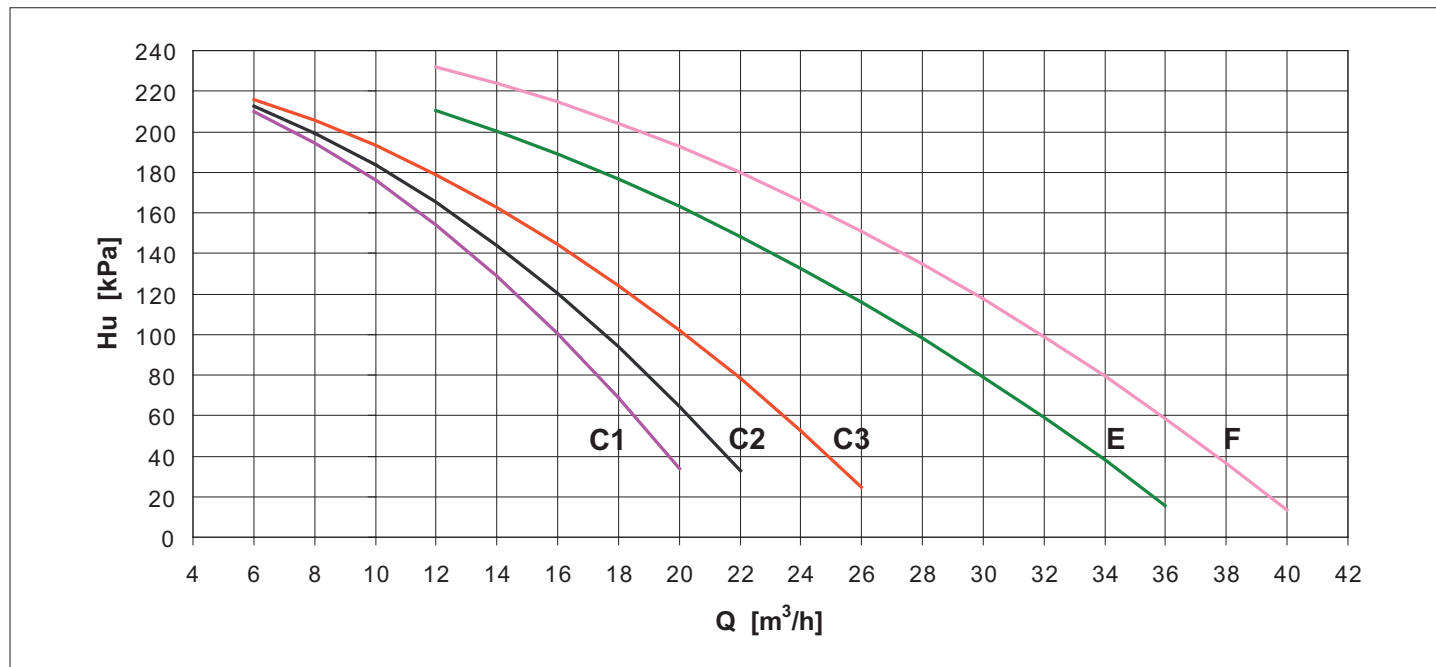
HEATING - 1 PUMP - HIGH HEAD PUMP

| | Pt (1) | Q (1) | Rif. | Pump | N. | F.L.I. | F.L.A. | Ks | Dps | Hu | | |
|------|--------|--------|------|-----------------|------|--------|--------|-----|------|-----|------|-----|
| SIZE | [kW] | [m³/h] | Pump | type | Pole | [kW] | [A] | - | kPa | kPa | Kv3v | Kfi |
| 0122 | 38,0 | 6,5 | C1 | DWC-V 300 / 1,5 | 2 | 1,5 | 3,2 | 294 | 12,6 | 206 | 66 | 109 |
| 0152 | 51,3 | 8,8 | C2 | DWC-V 300 / 1,5 | 2 | 1,5 | 3,2 | 217 | 16,9 | 192 | 66 | 109 |
| 0202 | 68,8 | 11,8 | C3 | DWC-V 300 / 1,5 | 2 | 1,5 | 3,2 | 123 | 17,2 | 180 | 27 | 79 |
| 0262 | 84,9 | 14,6 | E | DWC-V 500 / 2,2 | 2 | 2,2 | 4,8 | 104 | 22,2 | 198 | 27 | 79 |
| 0302 | 102,0 | 17,5 | F | DWC-V 500 / 3,0 | 2 | 3 | 5,6 | 92 | 28,3 | 206 | 27 | 79 |

(1) Values refer to rated operating conditions
 Pf Cooling capacity of unit
 Pt Heating capacity of unit
 Q Flow of water to evaporator
 F.L.I. Power absorbed by pump
 F.L.A. Current absorbed by pump

Ks Coefficients for calculating pressure drops
 Unit with hydronic unit without network filter and 3 way valve
 Kv3v Coefficients 3 way valve for calculating pressure drops
 Kfi Coefficients filter for calculating pressure drops
 Dps Total pressure drop of hydronic group
 Hu Residual head

WORKING HEAD CURVES



COOLING - 2 PUMPS - HIGH HEAD PUMP

| | Pf (1) | Q (1) | Rif. | Pump | N. | F.L.I. | F.L.A. | Ks | Dps | Hu | | |
|------|--------|--------|------|-----------------|------|--------|--------|-----|------|-----|------|-----|
| SIZE | [kW] | [m³/h] | Pump | type | Pole | [kW] | [A] | - | kPa | kPa | Kv3v | Kfi |
| 0122 | 34,1 | 5,9 | C1 | DWC-V 300 / 1,5 | 2 | 1,5 | 3,2 | 373 | 12,8 | 208 | 66 | 109 |
| 0152 | 43,8 | 7,5 | C2 | DWC-V 300 / 1,5 | 2 | 1,5 | 3,2 | 293 | 16,6 | 198 | 66 | 109 |
| 0202 | 60,3 | 10,4 | C3 | DWC-V 300 / 1,5 | 2 | 1,5 | 3,2 | 153 | 16,5 | 187 | 27 | 79 |
| 0262 | 76,4 | 13,1 | E | DWC-V 500 / 2,2 | 2 | 2,2 | 4,8 | 134 | 23,1 | 201 | 27 | 79 |
| 0302 | 91,7 | 15,8 | F | DWC-V 500 / 3,0 | 2 | 3 | 5,6 | 122 | 30,3 | 208 | 27 | 79 |

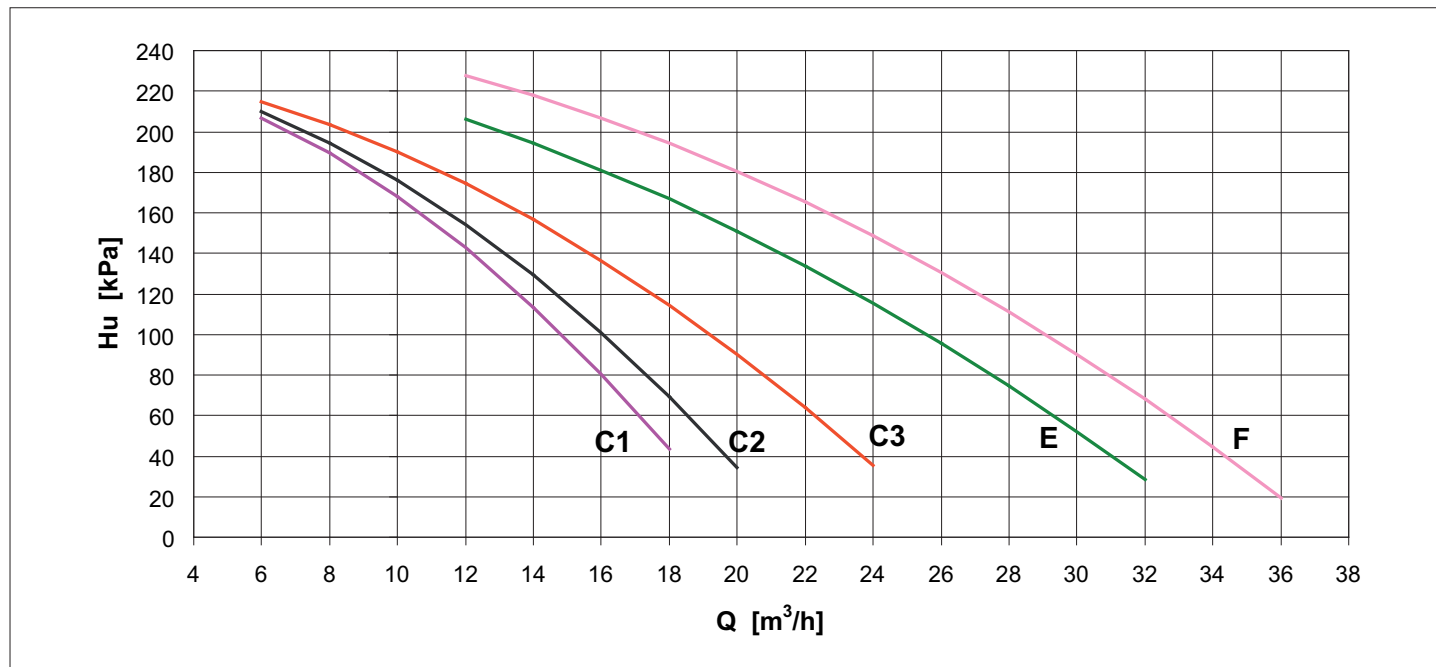
HEATING - 2 PUMPS - HIGH HEAD PUMP

| | Pt (1) | Q (1) | Rif. | Pump | N. | F.L.I. | F.L.A. | Ks | Dps | Hu | | |
|------|--------|--------|------|-----------------|------|--------|--------|-----|------|-----|------|-----|
| SIZE | [kW] | [m³/h] | Pump | type | Pole | [kW] | [A] | - | kPa | kPa | Kv3v | Kfi |
| 0122 | 38,0 | 6,5 | C1 | DWC-V 300 / 1,5 | 2 | 1,5 | 3,2 | 294 | 15,9 | 203 | 66 | 109 |
| 0152 | 51,3 | 8,8 | C2 | DWC-V 300 / 1,5 | 2 | 1,5 | 3,2 | 217 | 22,8 | 186 | 66 | 109 |
| 0202 | 68,8 | 11,8 | C3 | DWC-V 300 / 1,5 | 2 | 1,5 | 3,2 | 123 | 21,4 | 176 | 27 | 79 |
| 0262 | 84,9 | 14,6 | E | DWC-V 500 / 2,2 | 2 | 2,2 | 4,8 | 104 | 28,6 | 191 | 27 | 79 |
| 0302 | 102,0 | 17,5 | F | DWC-V 500 / 3,0 | 2 | 3 | 5,6 | 92 | 37,6 | 196 | 27 | 79 |

(1) Values refer to rated operating conditions
 Pf Cooling capacity of unit
 Pt Heating capacity of unit
 Q Flow of water to evaporator
 F.L.I. Power absorbed by pump
 F.L.A. Current absorbed by pump

Ks Coefficients for calculating pressure drops
 Unit with hydronic unit without network filter and 3 way valve
 Kv3v Coefficients 3 way valve for calculating pressure drops
 Kfi Coefficients filter for calculating pressure drops
 Dps Total pressure drop of hydronic group
 Hu Residual head

WORKING HEAD CURVES



COOLING - 1 PUMP - LOW HEAD PUMP

| | Pf (1) | Q (1) | Rif. | Pump | N. | F.L.I. | F.L.A. | Ks | Dps | Hu | | |
|------|--------|---------------------|------|-----------------|------|--------|--------|-----|------|-----|------|-----|
| SIZE | [kW] | [m ³ /h] | Pump | type | Pole | [kW] | [A] | - | kPa | kPa | Kv3v | Kfi |
| 0122 | 34,1 | 5,9 | A1 | DWC-V 300/1,1 R | 2 | 1,1 | 2,5 | 294 | 10,1 | 129 | 66 | 109 |
| 0152 | 43,8 | 7,5 | A2 | DWC-V 300/1,1 R | 2 | 1,1 | 2,5 | 217 | 12,3 | 122 | 66 | 109 |
| 0202 | 60,3 | 10,4 | A3 | DWC-V 300/1,1 R | 2 | 1,1 | 2,5 | 123 | 13,2 | 109 | 27 | 79 |
| 0262 | 76,4 | 13,1 | B1 | DWC-V 300/1,1 | 2 | 1,1 | 2,5 | 104 | 18,0 | 140 | 27 | 79 |
| 0302 | 91,7 | 15,8 | B2 | DWC-V 300/1,1 | 2 | 1,1 | 2,5 | 92 | 22,9 | 120 | 27 | 79 |

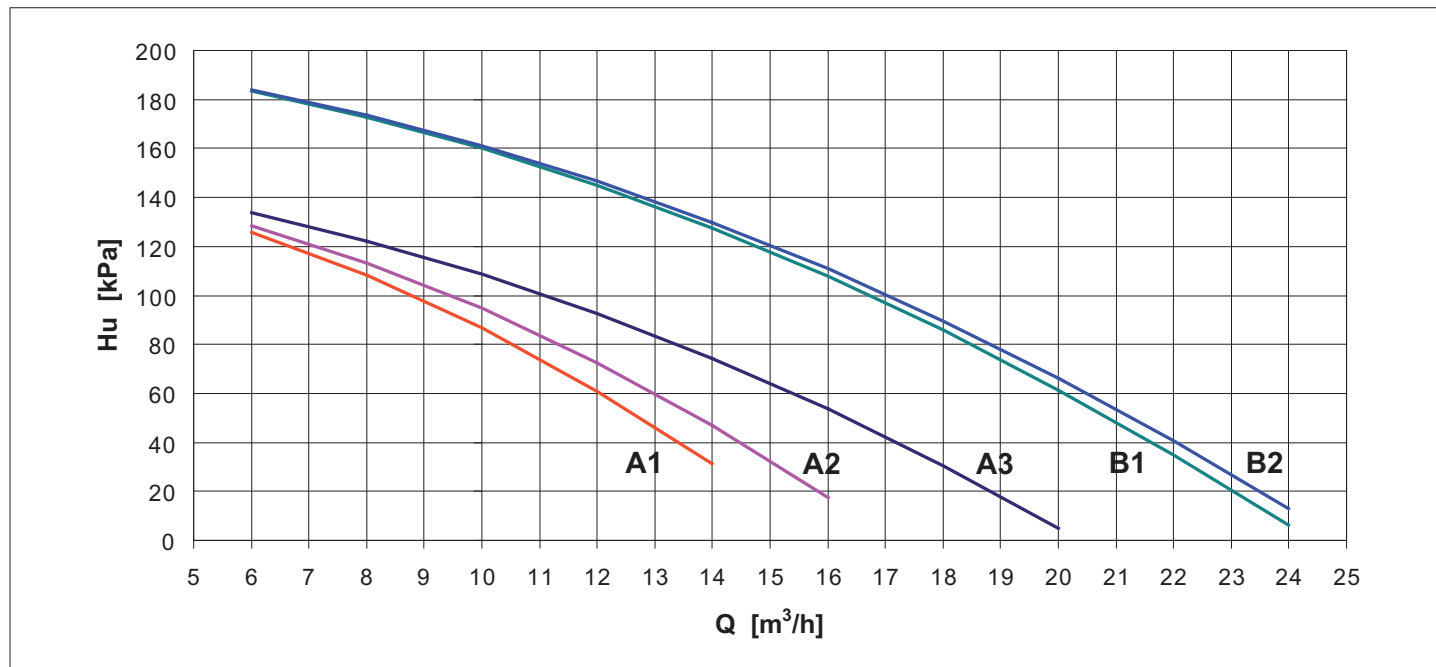
HEATIN - 1 PUMP - LOW HEAD PUMP

| | Pt (1) | Q (1) | Rif. | Pump | N. | F.L.I. | F.L.A. | Ks | Dps | Hu | | |
|------|--------|---------------------|------|-----------------|------|--------|--------|-----|------|-----|------|-----|
| SIZE | [kW] | [m ³ /h] | Pump | type | Pole | [kW] | [A] | - | kPa | kPa | Kv3v | Kfi |
| 0122 | 38,0 | 6,5 | A1 | DWC-V 300/1,1 R | 2 | 1,1 | 2,5 | 294 | 12,6 | 124 | 66 | 109 |
| 0152 | 51,3 | 8,8 | A2 | DWC-V 300/1,1 R | 2 | 1,1 | 2,5 | 217 | 16,9 | 112 | 66 | 109 |
| 0202 | 68,8 | 11,8 | A3 | DWC-V 300/1,1 R | 2 | 1,1 | 2,5 | 123 | 17,2 | 98 | 27 | 79 |
| 0262 | 84,9 | 14,6 | B1 | DWC-V 300/1,1 | 2 | 1,1 | 2,5 | 104 | 22,2 | 128 | 27 | 79 |
| 0302 | 102,0 | 17,5 | B2 | DWC-V 300/1,1 | 2 | 1,1 | 2,5 | 92 | 28,3 | 103 | 27 | 79 |

(1) Values refer to rated operating conditions
 Pf Cooling capacity of unit
 Pt Heating capacity of unit
 Q Flow of water to evaporator
 F.L.I. Power absorbed by pump
 F.L.A. Current absorbed by pump

Ks Coefficients for calculating pressure drops
 Unit with hydronic unit without network filter and 3 way valve
 Kv3v Coefficients 3 way valve for calculating pressure drops
 Kfi Coefficients filter for calculating pressure drops
 Dps Total pressure drop of hydronic group
 Hu Residual hea

WORKING HEAD CURVES



COOLING - 2 PUMPS - LOW HEAD PUMP

| | Pf (1) | Q (1) | Rif. | Pump | N. | F.L.I. | F.L.A. | Ks | Dps | Hu | | |
|------|--------|---------------------|------|-----------------|------|--------|--------|-----|------|-----|------|-----|
| SIZE | [kW] | [m ³ /h] | Pump | type | Pole | [kW] | [A] | - | kPa | kPa | Kv3v | Kfi |
| 0122 | 34,1 | 5,9 | A1 | DWC-V 300/1,1 R | 2 | 1,1 | 2,5 | 373 | 12,8 | 126 | 66 | 109 |
| 0152 | 43,8 | 7,5 | A2 | DWC-V 300/1,1 R | 2 | 1,1 | 2,5 | 293 | 16,6 | 117 | 66 | 109 |
| 0202 | 60,3 | 10,4 | A3 | DWC-V 300/1,1 R | 2 | 1,1 | 2,5 | 153 | 16,5 | 106 | 27 | 79 |
| 0262 | 76,4 | 13,1 | B1 | DWC-V 300/1,1 | 2 | 1,1 | 2,5 | 134 | 23,1 | 135 | 27 | 79 |
| 0302 | 91,7 | 15,8 | B2 | DWC-V 300/1,1 | 2 | 1,1 | 2,5 | 122 | 30,3 | 113 | 27 | 79 |

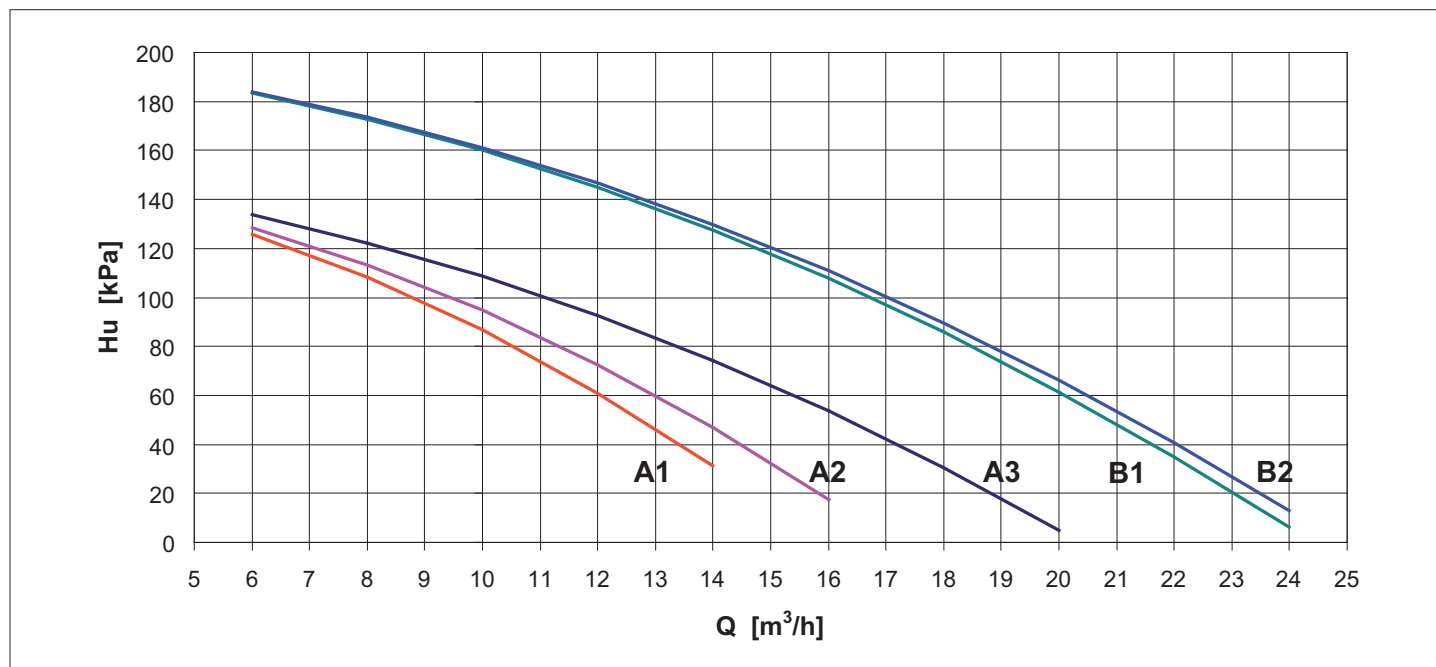
HEATING - 2 PUMPS - LOW HEAD PUMP

| | Pt (1) | Q (1) | Rif. | Pump | N. | F.L.I. | F.L.A. | Ks | Dps | Hu | | |
|------|--------|---------------------|------|-----------------|------|--------|--------|-----|------|-----|------|-----|
| SIZE | [kW] | [m ³ /h] | Pump | type | Pole | [kW] | [A] | - | kPa | kPa | Kv3v | Kfi |
| 0122 | 38,0 | 6,5 | A1 | DWC-V 300/1,1 R | 2 | 1,1 | 2,5 | 373 | 15,9 | 121 | 66 | 109 |
| 0152 | 51,3 | 8,8 | A2 | DWC-V 300/1,1 R | 2 | 1,1 | 2,5 | 293 | 22,8 | 106 | 66 | 109 |
| 0202 | 68,8 | 11,8 | A3 | DWC-V 300/1,1 R | 2 | 1,1 | 2,5 | 153 | 21,4 | 94 | 27 | 79 |
| 0262 | 84,9 | 14,6 | B1 | DWC-V 300/1,1 | 2 | 1,1 | 2,5 | 134 | 28,6 | 121 | 27 | 79 |
| 0302 | 102,0 | 17,5 | B2 | DWC-V 300/1,1 | 2 | 1,1 | 2,5 | 122 | 37,6 | 93 | 27 | 79 |

(1) Values refer to rated operating conditions
 Pf Cooling capacity of unit
 Pt Heating capacity of unit
 Q Flow of water to evaporator
 F.L.I. Power absorbed by pump
 F.L.A. Current absorbed by pump

Ks Coefficients for calculating pressure drops
 Unit with hydronic unit without network filter and 3 way valve
 Kv3v Coefficients 3 way valve for calculating pressure drops
 Kfi Coefficients filter for calculating pressure drops
 Dps Total pressure drop of hydronic group
 Hu Residual head

WORKING HEAD CURVES



14. ELECTRICAL DATA

AW-HT / CA-E

| SIZE | Maximum values | | | | | | | | |
|------|----------------|----------------|---------------|---------------|----------------|---------------|----------------|---------------|---------------|
| | Compressor | | | | Fans (1) | | Total (1) (2) | | |
| | n | F.L.I. [kW] | F.L.A. [A] | L.R.A. [A] | F.L.I. [kW] | F.L.A. [A] | F.L.I. [kW] | F.L.A. [A] | L.R.A. [A] |
| 0122 | 2 | 2 X 7,9 | 2 X 13,9 | 2 X 101 | 0,25 | 1,1 | 16,8 | 32,2 | 119,3 |
| 0152 | 2 | 2 X 10 | 2 X 17 | 2 X 99 | 0,25 | 1,1 | 21,5 | 40,6 | 122,6 |
| 0202 | 2 | 2 X 14,2 | 2 X 23,3 | 2 X 127 | 0,25 | 1,1 | 30,4 | 55,4 | 159,1 |
| 0262 | 2 | 2 X 18 | 2 X 28,5 | 2 X 167 | 0,25 | 1,1 | 38 | 65,8 | 204,3 |
| 0302 | 2 | 2 X 21,7 | 2 X 34,7 | 2 X 198 | 0,25 | 1,1 | 45,4 | 78,2 | 241,5 |

AW-HT / LN-CA-E

| SIZE | Maximum values | | | | | | | | |
|------|----------------|----------------|---------------|---------------|----------------|---------------|----------------|---------------|---------------|
| | Compressor | | | | Fans (1) | | Total (1) (2) | | |
| | n | F.L.I. [kW] | F.L.A. [A] | L.R.A. [A] | F.L.I. [kW] | F.L.A. [A] | F.L.I. [kW] | F.L.A. [A] | L.R.A. [A] |
| 0122 | 2 | 2 X 7,9 | 2 X 13,9 | 2 X 101 | 0,25 | 1,1 | 16,8 | 32,2 | 119,3 |
| 0152 | 2 | 2 X 10 | 2 X 17 | 2 X 99 | 0,25 | 1,1 | 21,5 | 40,6 | 122,6 |
| 0202 | 2 | 2 X 14,2 | 2 X 23,3 | 2 X 127 | 0,25 | 1,1 | 30,4 | 55,4 | 159,1 |
| 0262 | 2 | 2 X 18 | 2 X 28,5 | 2 X 167 | 0,25 | 1,1 | 38 | 65,8 | 204,3 |
| 0302 | 2 | 2 X 21,7 | 2 X 34,7 | 2 X 198 | 0,25 | 1,1 | 45,4 | 78,2 | 241,5 |

F.L.I. Full load power

F.L.A. Full load current

L.R.A. Locked rotor amperes for single compressor

S.A. Inrush current

(1) (2) Safety values to be considered when cabling the unit for power supply and line-protections

(1) Values calculated referring to the version with the maximum number of fans working at the max absorbed current

Power supply: 400/3/50+N

Voltage tolerance: 10%

Maximum voltage unbalance: 3%

Give the typical operating conditions of units designed for outdoor installation, which can be associated (according to reference document IEC 60721) to the following classes:

- climatic conditions class 4K4H: air temperature range from -20 up to 55°C (*), relative humidity range from 4 up to 100%, with possible precipitations, at air pressure from 70 and 106 kPa and a maximum solar radiation of 1120 W/m²
- special climatic conditions negligible
- biological conditions class 4B1 and 4C2: locations in a generic urban area
- mechanically active substances class 4S2: locations in areas with sand or dust representative of urban areas
- mechanical conditions class 4M1: locations protected from significant vibrations or shocks

The required protection level for safe operation, according to reference document IEC 60529, is IP43XW (protection against access, to the most critical unit's parts, of external devices with diameter larger than 1 mm and rain).

The unit can be considered IP44XW protected, i.e. protected against access of external devices (with diameter larger than 1 mm) and water in general.

(*) for the unit's operating limits, see "selection limits" section

15. FULL LOAD SOUND LEVEL

AW-HT / CA-E

| SOUND POWER | | | | | | | | | |
|-------------|----------------------|-----|-----|-----|------|------|------|------|----------------------------|
| SIZE | Octave band [Hz] | | | | | | | | Total sound level dB(A) |
| | 63 | 125 | 250 | 500 | 1000 | 2000 | 4000 | 8000 | |
| | Sound power level dB | | | | | | | | |
| 0122 | 89 | 86 | 83 | 81 | 81 | 75 | 70 | 62 | 84 |
| 0152 | 91 | 88 | 85 | 83 | 83 | 77 | 72 | 64 | 86 |
| 0202 | 92 | 89 | 86 | 84 | 84 | 78 | 73 | 65 | 87 |
| 0262 | 92 | 89 | 86 | 84 | 84 | 78 | 73 | 65 | 87 |
| 0302 | 92 | 89 | 86 | 84 | 84 | 78 | 73 | 65 | 87 |

AW-HT / LN-CA-E

| SOUND POWER | | | | | | | | | |
|-------------|----------------------|-----|-----|-----|------|------|------|------|----------------------------|
| SIZE | Octave band [Hz] | | | | | | | | Total sound level dB(A) |
| | 63 | 125 | 250 | 500 | 1000 | 2000 | 4000 | 8000 | |
| | Sound power level dB | | | | | | | | |
| 0122 | 89 | 86 | 83 | 81 | 81 | 75 | 70 | 62 | 84 |
| 0152 | 91 | 88 | 85 | 83 | 83 | 77 | 72 | 64 | 86 |
| 0202 | 92 | 89 | 86 | 84 | 84 | 78 | 73 | 65 | 87 |
| 0262 | 92 | 89 | 86 | 84 | 84 | 78 | 73 | 65 | 87 |
| 0302 | 92 | 89 | 86 | 84 | 84 | 78 | 73 | 65 | 87 |

Working conditions

Ambient temperature 7 C°

Exchanger water (in/out) 40/45 C°

Sound power on the basis of measurements made in compliance with ISO 9614 and Eurovent 8/1 for Eurovent certified units; in compliance with ISO 3744 for non-certified units

Such certification refers specifically to the sound Power Level in dB(A). This is therefore the only acoustic data to be considered as binding.

AW-HT / CA-E

| SOUND PRESSURE LEVEL | | | | | | | | | |
|----------------------|----------------------------|-----|-----|-----|------|------|------|------|-------------------|
| SIZE | Octave band [Hz] at 10 m | | | | | | | | Total sound level |
| | 63 | 125 | 250 | 500 | 1000 | 2000 | 4000 | 8000 | |
| | Sound pressure level dB(A) | | | | | | | | |
| 0122 | 53 | 50 | 47 | 45 | 45 | 39 | 34 | 26 | 48 |
| 0152 | 55 | 52 | 49 | 47 | 47 | 41 | 36 | 28 | 50 |
| 0202 | 56 | 53 | 50 | 48 | 48 | 42 | 37 | 29 | 51 |
| 0262 | 56 | 53 | 50 | 48 | 48 | 42 | 37 | 29 | 51 |
| 0302 | 57 | 54 | 51 | 49 | 49 | 43 | 38 | 30 | 52 |

AW-HT / LN-CA-E

| SOUND PRESSURE LEVEL | | | | | | | | | |
|----------------------|----------------------------|-----|-----|-----|------|------|------|------|-------------------|
| SIZE | Octave band [Hz] at 10 m | | | | | | | | Total sound level |
| | 63 | 125 | 250 | 500 | 1000 | 2000 | 4000 | 8000 | |
| | Sound pressure level dB(A) | | | | | | | | |
| 0122 | 53 | 50 | 47 | 45 | 45 | 39 | 34 | 26 | 48 |
| 0152 | 55 | 52 | 49 | 47 | 47 | 41 | 36 | 28 | 50 |
| 0202 | 56 | 53 | 50 | 48 | 48 | 42 | 37 | 29 | 51 |
| 0262 | 56 | 53 | 50 | 48 | 48 | 42 | 37 | 29 | 51 |
| 0302 | 57 | 54 | 51 | 49 | 49 | 43 | 38 | 30 | 52 |

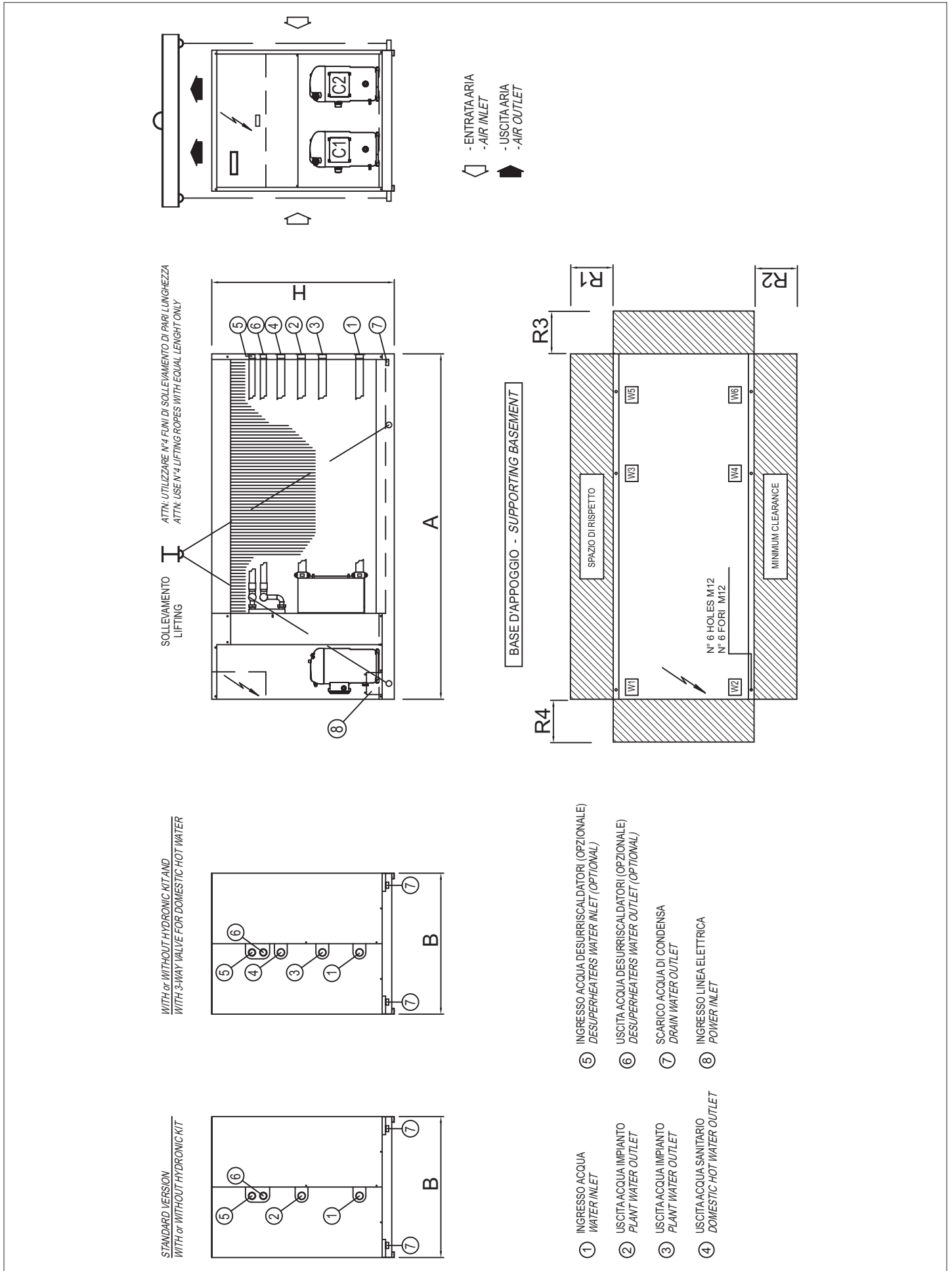
Working conditions

Ambient temperature 7 C°

Exchanger water (in/out) 40/45 C°

Sound power on the basis of measurements made in compliance with ISO 9614 and Eurovent 8/1 for Eurovent certified units; in compliance with ISO 3744 for non-certified units

16. DIMENSIONAL DRAWINGS



AW-HT

| SIZE | DIMENSIONS AND WEIGHTS | | | | CLEARANCE | | | | PLANT SIDE HEAT EXCHANGER | | AUXILIARY SIDE HEAT EXCHANGER | |
|------------------------|------------------------|------|------|------|-----------|------|------|------|---------------------------|--------|-------------------------------|--------|
| | A | B | H | Peso | R1 | R2 | R3 | R4 | IN/OUT | | IN/OUT | |
| | [mm] | [mm] | [mm] | [kg] | [mm] | [mm] | [mm] | [mm] | TYPE | Ø | TYPE | Ø |
| AW-HT /CA-E 0122 | 1695 | 1120 | 1420 | 510 | 1000 | 1000 | 600 | 600 | GAS | 1 1/2" | - | - |
| AW-HT /CA-E 0152 | 2195 | 1120 | 1420 | 750 | 1000 | 1000 | 600 | 600 | GAS | 1 1/2" | - | - |
| AW-HT /CA-E 0202 | 2745 | 1120 | 1420 | 870 | 1000 | 1000 | 600 | 600 | GAS | 2" | - | - |
| AW-HT /CA-E 0262 | 2745 | 1120 | 1620 | 940 | 1000 | 1000 | 600 | 600 | GAS | 2" | - | - |
| AW-HT /CA-E 0302 | 2745 | 1120 | 1620 | 1030 | 1000 | 1000 | 600 | 600 | GAS | 2" | - | - |
| AW-HT /LN-CA-E 0122 | 1695 | 1120 | 1420 | 530 | 1000 | 1000 | 600 | 600 | GAS | 1 1/2" | - | - |
| AW-HT /LN-CA-E 0152 | 2195 | 1120 | 1420 | 760 | 1000 | 1000 | 600 | 600 | GAS | 1 1/2" | - | - |
| AW-HT /LN-CA-E 0202 | 2745 | 1120 | 1420 | 910 | 1000 | 1000 | 600 | 600 | GAS | 2" | - | - |
| AW-HT /LN-CA-E 0262 | 2745 | 1120 | 1620 | 980 | 1000 | 1000 | 600 | 600 | GAS | 2" | - | - |
| AW-HT /LN-CA-E 0302 | 2745 | 1120 | 1620 | 1030 | 1000 | 1000 | 600 | 600 | GAS | 2" | - | - |
| AW-HT /D /CA-E 0122 | 1695 | 1120 | 1420 | 530 | 1000 | 1000 | 600 | 600 | GAS | 1 1/2" | GAS | 1 1/2" |
| AW-HT /D /CA-E 0152 | 2195 | 1120 | 1420 | 780 | 1000 | 1000 | 600 | 600 | GAS | 1 1/2" | GAS | 1 1/2" |
| AW-HT /D /CA-E 0202 | 2745 | 1120 | 1420 | 900 | 1000 | 1000 | 600 | 600 | GAS | 2" | GAS | 1 1/2" |
| AW-HT /D /CA-E 0262 | 2745 | 1120 | 1620 | 970 | 1000 | 1000 | 600 | 600 | GAS | 2" | GAS | 1 1/2" |
| AW-HT /D /CA-E 0302 | 2745 | 1120 | 1620 | 1060 | 1000 | 1000 | 600 | 600 | GAS | 2" | GAS | 1 1/2" |
| AW-HT /D /LN-CA-E 0122 | 1695 | 1120 | 1420 | 550 | 1000 | 1000 | 600 | 600 | GAS | 1 1/2" | GAS | 1 1/2" |
| AW-HT /D /LN-CA-E 0152 | 2195 | 1120 | 1420 | 780 | 1000 | 1000 | 600 | 600 | GAS | 1 1/2" | GAS | 1 1/2" |
| AW-HT /D /LN-CA-E 0202 | 2745 | 1120 | 1420 | 940 | 1000 | 1000 | 600 | 600 | GAS | 2" | GAS | 1 1/2" |
| AW-HT /D /LN-CA-E 0262 | 2745 | 1120 | 1620 | 1010 | 1000 | 1000 | 600 | 600 | GAS | 2" | GAS | 1 1/2" |
| AW-HT /D /LN-CA-E 0302 | 2745 | 1120 | 1620 | 1060 | 1000 | 1000 | 600 | 600 | GAS | 2" | GAS | 1 1/2" |

17. LEGEND OF PIPE CONNECTIONS

UNI ISO 228/1

Pipe threads where pressure-tight joints are not made on the threads - Designation, dimensions and tolerances

Used terminology:

G: Pipe threads where pressure-tight joints are not made on the threads

A: Close tolerance class for external pipe threads where pressure-tight joints are not made on the threads

B: Wider tolerance class for external pipe threads where pressure-tight joints are not made on the threads

Internal threads: G letter followed by thread mark (only tolerance class)

External threads: G letter followed by thread mark and by A letter for A class external threads or by B letter for B class external threads.

UNI ISO 7/1

Pipe threads where pressure-tight joints are made on the threads - Designation, dimensions and tolerances

Used terminology:

Rp: Internal cylindrical threads where pressure-tight joints are made on the threads

Rc: Internal conical threads where pressure-tight joints are made on the threads

R: External conical threads where pressure-tight joints are made on the threads

Internal cylindrical threads: R letter followed by p letter

Internal conical threads: R letter followed by c letter

External conical threads: R letter

| Designation | Description |
|------------------------|---|
| UNI ISO 7/1 - Rp 1 1/2 | Internal cylindrical threads where pressure-tight joints are made on the threads, defined by standard UNI ISO 7/1 Conventional ø 1 1/2" |
| UNI ISO 7/1 - Rp 2 1/2 | Internal cylindrical threads where pressure-tight joints are made on the threads, defined by standard UNI ISO 7/1 Conventional ø 2 1/2" |
| UNI ISO 7/1 - Rp 3 | Internal cylindrical threads where pressure-tight joints are made on the threads, defined by standard UNI ISO 7/1 Conventional ø 3" |
| UNI ISO 7/1 - R 3 | External conical threads where pressure-tight joints are made on the threads, defined by standard UNI ISO 7/1 Conventional ø 3" |
| UNI ISO 228/1 - G 4 B | Internal cylindrical threads where pressure-tight joints are not made on the threads, defined by standard UNI ISO 228/1 Tolerance class B for external thread Conventional ø 4" |
| DN 80 PN 16 | Flange Nominal Diameter: 80 mm Nominal Pressure: 16 bar |

Notes:

Conventional diameter value [in inches] identifies short thread designation, based upon the relative standard.

All relative values are defined by standards.

As example, here below some values:

| | UNI ISO 7/1 | UNI ISO 228/1 |
|----------------|-------------|---------------|
| Conventional ø | 1" | 1" |
| Pitch | 2.309 mm | 2.309 mm |
| External ø | 33.249 mm | 33.249 mm |
| Core ø | 30.291 mm | 30.291 mm |
| Thread height | 1.479 mm | 1.479 mm |



for a greener tomorrow

Eco Changes is the Mitsubishi Electric Group's environmental statement, and expresses the Group's stance on environmental management. Through a wide range of businesses, we are helping contribute to the realization of a sustainable society.



MITSUBISHI ELECTRIC HYDRONICS & IT COOLING SYSTEMS S.p.A.

Head Office: Via Caduti di Cefalonia 1 - 36061 Bassano del Grappa (VI) - Italy

Tel (+39) 0424 509 500 - Fax (+39) 0424 509 509

www.melcohit.com

