

MITSUBISHI ELECTRIC

Air-Conditioners For Building Application

Multiple Remote Controller Adapter

PAC-SA88HA-E

PAC-725AD

Installation Manual

This installation manual describes only the connection of the Multiple Remote Controller Adapter to the outdoor unit of CITY MULTI air conditioner series.



This part is a wiring member to connect the external circuit (locally procured) to the board on the indoor unit. This adapter has ports for the ON/OFF signals, and error output status and operation status output can be checked.

For details of compatible models, connection method and setting method, refer to the CITY MULTI DATA BOOK, Electrical Wiring Diagram etc.

For your safety, be sure to read firstly “ 1 Safety Precaution ” described below thoroughly and then install the PAC-SA88HA-E/PAC-725AD.

1 Safety Precaution

- The following two symbols are used to denote dangers that may be caused by incorrect use.

 WARNING	This symbol denotes what could lead to serious injury or death if your misuse the PAC-SA88HA-E/PAC-725AD.
 CAUTION	This symbol denotes what could lead to a personal injury or property damage if you misuse the PAC-SA88HA-E/PAC-725AD.

- After reading this instruction manual, keep it in a place where the end user can find it anytime he or she wants to it. When someone moves, repairs or uses the PAC-SA88HA-E/PAC-725AD, make sure that this manual is forwarded to the final user.

WARNING

- **Ask your dealer or technical representative to install the unit.**
Any deficiency caused by your own installation may result in an electric shock or fire.
- **Ensure that installation work is done correctly following this instruction manual.**
Any deficiency caused by installation may result in an electric shock or fire.
- **Firmly connect the wiring using the specified cables.**
Carefully check that the cables do not exert any forces on the terminals.
Improper wiring connections may produce heat and possibly a fire.
- **Never modify or repair the PAC-SA88HA-E/PAC-725AD.**
Any deficiency caused by your modification or repair may result in an electric shock or fire. Consult with your dealer about repair.
- **All electrical work must be performed by a licensed technician, according to local regulations and the instructions given in this manual.**
Any lack of electric circuit or any deficiency caused by installation may result in an electric shock or fire.
- **Do not move and re-install the PAC-SA88HA-E/PAC-725AD yourself.**
Any deficiency caused by installation may result in an electric shock or fire. Ask your distributor or special vendor for moving and installation.
- **Stop the operation if any malfunction occurs.**
If malfunction occurs (burning smell, etc.) stop the operation and turn off the power supply. Contact your dealer or technical representative. If the controller continues to operate after a malfunction occurs, this may cause damage, electric shock or fire.
- **Do not turn on the main power until installation has been completed.**
Doing so may result in electric shock or fire.

CAUTION

- **Do not install in any place exposed to flammable gas leakage.**
Flammable gases accumulated around the body of PAC-SA88HA-E/PAC-725AD may cause an explosion.
- **Do not use in any special environment.**
Using in any place exposed to oil (including machine oil), steam and sulfuric gas may deteriorate the performance significantly or give damage to the component parts.
- **Wire so that it does not receive any tension.**
Tension may cause wire breakage, heating or fire.
- **Do not install in any place at a temperature of more than 40 °C (104 °F) or less than 0 °C (32 °F) or exposed to direct sunlight.**
- **Do not install in any place where acidic or alkaline solution or special spray are often used.**
Doing so may cause an electric shock or malfunction.
- **Do not install in any steamy place such a bathroom or kitchen.**
Avoid any place where moisture is condensed into dew.
Doing so may cause an electric shock or malfunction.
- **Use standard wires in compliance with the current capacity.**
A failure to this may result in an electric leakage, heating or fire.
- **Do not wash with water.**
Doing so may cause an electric shock or malfunction.

2 Parts list

Make sure that the following items are included in the package.

Multiple Remote Controller Adapter 2 m (6-1/2 ft)

- PAC-SA88HA-E: 1 pcs.
- PAC-725AD: 10 pcs.

3 Connection to the Indoor Unit

Connect the connector side of the Multiple Remote Controller Adapter to the connector CN51 or CN52 of the indoor unit control board as necessary. The connector can only be connected in one direction only. Do not force the connection.

4 Locally Procured Parts

All parts other than the Multiple Remote Controller Adapter are procured locally. The items required will depend on the connection method. Refer to the example of use shown below.
(Example)

- ① Switch Single pole, single action switch.

⚠ Caution Select a part with contacts for extremely low amperage. DC 5V or 12V is used at the contact points for the switch so there is a load of only approximately 1mA. Improper switch selection could cause improper operation.

- ② Relay For relay use the specifications given below
 Operation coil Rated voltage: 12 VDC
 Power consumption: 0.9 W or less
 * Use the diode that is recommended by the relay manufacturer at both ends of the relay coil.
- ③ Transit relay When the wiring work as described in 6. *Wiring Restrictions* is required, this relay is used.
- ④ Control cable The length of the electrical wiring for the PAC-SA88HA-E/PAC-725AD is 2 meters (6-1/2 ft). To extend this length, use sheathed 2-core cable.
 Control cable type: CVV, CVS, CPEV or equivalent
 Cable size: 0.5 mm² ~ 1.25 mm² (16 to 22 AWG)
 Don't extend the cable more than 10 meters (32 ft).

⚠ CAUTION:

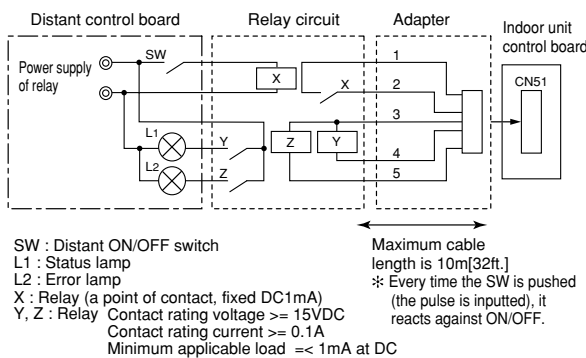
1. Wiring should be covered by insulation tube with supplementary insulation.
2. Use relays or switches with IEC or equivalent standard.
3. The electric strength between accessible parts and control circuit should have 2750 V or more.

5 Locally Procured Wiring

Basic connection methods for following models are shown below as examples. For details, refer to the CITY MULTI DATA BOOK, Electrical Wiring Diagram etc.

(1) Indoor unit “-E” type input/output connector (CITY MULTI series)

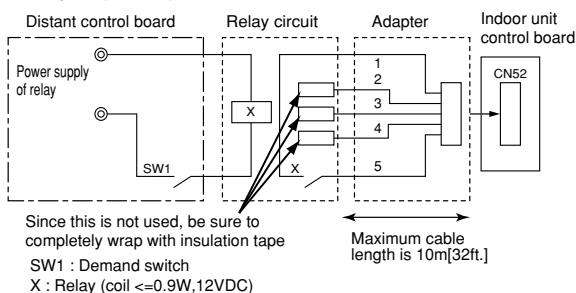
① Input (CN51)



● ON/OFF (Pulse) input specification

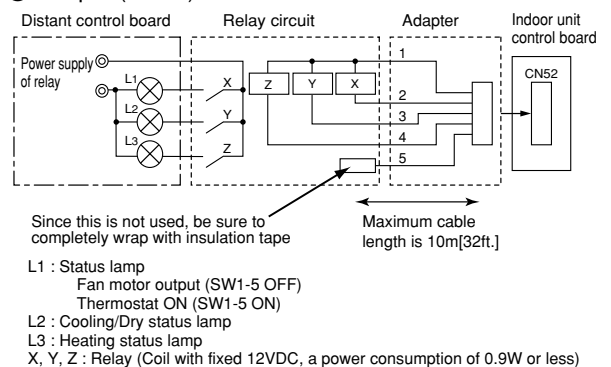
Item	Description
Input signal	Pulse sign (a connect)
Standard of pulse	 200msec or more

② Input (CN52)



SW1	Indoor unit
ON	Forced thermo-OFF
OFF	Normal running

③ Output (CN52)



6 Wiring Restrictions

Keep the length of the cable connecting to the circuit board of the indoor unit shorter than 10 meters (32 ft). Longer than 10 meters (32 ft) could cause improper operation.
 Use a transit relay when extending wiring such as remote wiring.



HEAD OFFICE: TOKYO BLDG., 2-7-3, MARUNOUCHI, CHIYODA-KU, TOKYO 100-8310, JAPAN
 Authorized representative in EU: MITSUBISHI ELECTRIC EUROPE B.V.

HARMAN HOUSE, 1 GEORGE STREET, UXBRIDGE, MIDDLESEX UB8 1QQ, U.K.